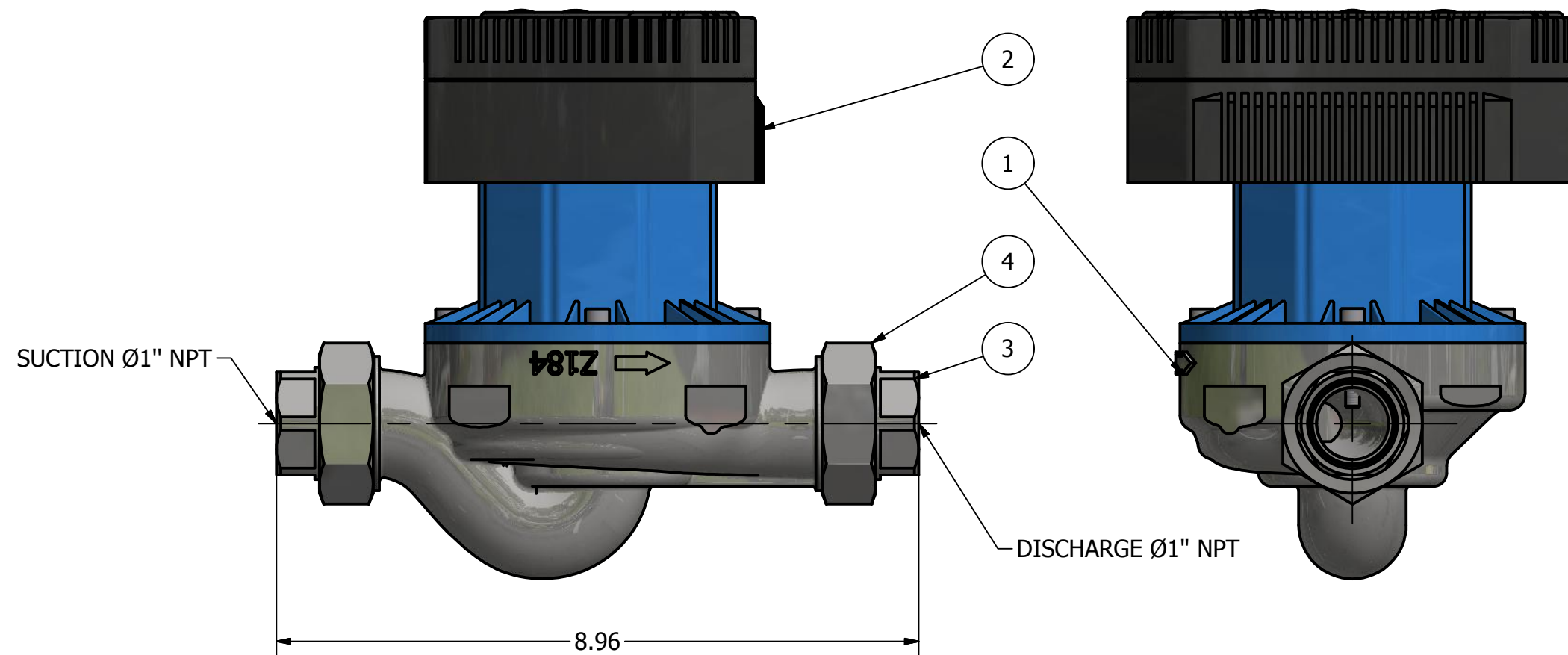
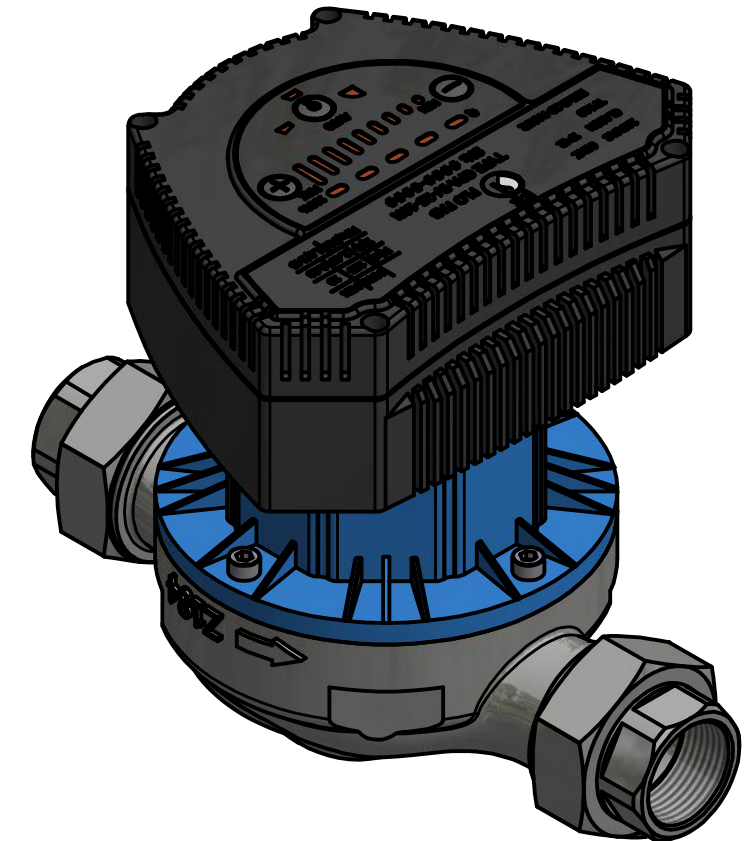



PARTS LIST		
ITEM	QTY	DESCRIPTION
1	1	500-1X1-GPA-IV-25-10N - CASING
2	1	500-1X1-GPA-IV-25-10N - MOTOR - VFD
3	2	500-1X1-GPA-IV-25-10N - THREADED FLANGE
4	2	500-1X1-GPA-IV-25-10N - THREADED UNION



THIS DRAWING MUST BE SENT WITH PURCHASE ORDER			
DESIGNER D.GERMAIN	DATE 11/11/2015	TITLE / TITRE 500-1X1-GPA-IV-25-10N	
 860 BOULEVARD INDUSTRIEL BOIS-DES-FILION, QC J6Z 4V7 (CANADA) (450) 621-2995 WWW.FLOFAB.COM		PROJECT / PROJET	
		CUSTOMER / CLIENT	
QUOTE	DWG NO	REV	
SCALE / ECHELLE 1:2	TAG	SHEET 1 OF 1	