

FLO FAB

FF



Go

with the **FLO**



Gauges Series "RFF0400"

Manufacturer of Pumps, Tanks, Heat Exchangers & Accessories
for HVAC Market After-Sales Parts and Services

Gauges
Series "RFF0400"

www.flofab.com

FLO FAB INC
LAKE WORTH,
FLORIDA, USA

**Gauges
Series "RFF0400"**

4 1/2" Pressure Gauges Series RFF0400	2
Pressure Gauges Standard Scales	3
Pressure Gauges Accessories	4

4 1/2" Pressure Gauges Series RFF0400

SUBMITTAL DATA SHEET
ISSUE DATE: MAY 2008
REVISION DATE: SEP 2009

FEATURES

SERIES RFF0400D2 & RFF0400D5 (DRY)

Case: Stainless steel 304 ANSI

Ring: Polished stainless steel 304 ANSI

Dial: Stainless steel,

RFF0400D2: White back with black (PSI) and blue (kPa) marking

RFF0400D5: Blue back with white (PSI) and black (kPa) marking

Graduation: RFF0400D2: Interval of 5 and graduation 10

RFF0400D5: Interval of 1 and graduation 10

Scale: Double (PSI and kPa)

Tube: RFF0400D2: Bronze

RFF0400D5: Stainless steel 316 ANSI

Connection: RFF0400D2: Brass, 1/4" NPT, bottom

RFF0400D5: Brass (stainless steel also available), 1/4" NPT,
at bottom with push-in restrictor

Accuracy: RFF0400D2: 2% of full scale,

ANSI/ASME B40.1 Grade B (3-2-3)

RFF0400D5: 0.5% of full scale,

ANSI/ASME B40.1-1985 Grade 2A

* Other styles and connections available ask the manufacturer.

SERIES RFF0400LF1 & RFF0400LF5 (LIQUID FILLED, CLEAR ACRYLIC)

Case: Stainless steel 304 ANSI

Ring: Polished stainless steel 304 ANSI

Dial: Stainless steel,

RFF0400LF1: White back with black (PSI) and blue (kPa) marking

RFF0400LF5: Blue back with white (PSI) and black (kPa) marking

Graduation: RFF0400LF1: Interval of 5 and graduation 10

RFF0400LF5: Interval of 1 and graduation 10

Scale: Double (PSI and kPa)

Tube: RFF0400LF1: Bronze less than 1000 PSI (6895 kPa)

RFF0400LF5: Stainless steel 316 ANSI

Connection: RFF0400LF1: Brass, 1/4" NPT, bottom with push-in restrictor

RFF0400LF5: Brass (stainless steel also available), 1/4" NPT,
at bottom with push-in restrictor

Accuracy: RFF0400LF1: +/- 1% of full scale,

ANSI/ASME B40.1 Grade B (3-2-3)

RFF0400LF5: +/- 0.5% of full scale,

ANSI/ASME B40.1-1985 Grade 2A

* Other styles and connections available ask the manufacturer.



RFF0400D5

0.5% of full scale

RFF0400LF5

+/- 0.5% of full scale



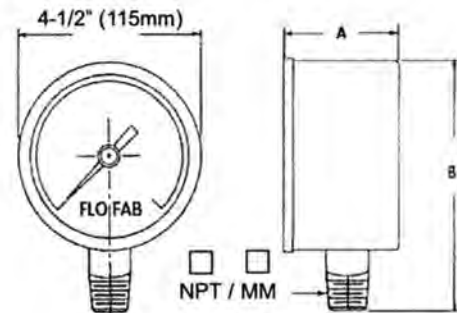
RFF0400D2

2% of full scale

RFF0400LF1

+/- 1% of full scale

SERIES RFF0400



NOMINAL DIMENSIONS

Models	A	B	Temp Range
RFF0400D2	1 3/8" 35.56 mm	5" 127 mm	41-190°F 5-90°C
RFF0400D5	1 3/8" 35.56 mm	5" 127 mm	41-190°F 5-90°C
RFF0400LF1	1 3/8" 35.56 mm	5 1/2" 139.7 mm	59-190°F 15-90°C
RFF0400LF5	1 3/8" 35.56 mm	5 1/2" 139.7 mm	59-190°F 15-90°C

Dimensions are subject to change without notice.

Dimensions not to be used for construction unless prints certified by factory.



Pressure Gauges Standard Scales

PRESSURE DUAL SCALES

Please specify

- DRY
- LIQUID FILLED
- 4 1/2" (114.3mm)
Liquid filled
Available up to
600 PSI
(4 000 kPa)
- 4 1/2" (114.3mm)
Dry
Available up to
600 PSI
(4 000 kPa)

Code	Series RFF0400D2 & RFF0400LF1		Series RFF0400D5 & RFF0400LF5	
	Outer PSI (black)	Inner kPa (Blue)	Outer PSI (white)	Inner kPa (black)
417	0 - 15	0 - 100	0 - 15	0 - 100
420	0 - 30	0 - 200	0 - 30	0 - 200
422	0 - 60	0 - 400	0 - 60	0 - 400
423	0 - 100	0 - 600	0 - 100	0 - 600
425	0 - 160	0 - 1 000	0 - 160	0 - 1 000
426	0 - 200	0 - 1 200	0 - 200	0 - 1 200
427	0 - 300	0 - 2 000	0 - 300	0 - 2 000
428	0 - 400	0 - 2 500	0 - 400	0 - 2 500
429	0 - 500	0 - 3 000	0 - 500	0 - 3 000
430	0 - 600	0 - 4 000	0 - 600	0 - 4 000
432	0 - 1 000	0 - 6 000	0 - 1 000	0 - 6 000
433	0 - 1 500	0 - 10 000	0 - 1 500	0 - 10 000
435	0 - 2 000	0 - 12 000	0 - 2 000	0 - 12 000
436	0 - 3 000	0 - 20 000	0 - 3 000	0 - 20 000
437	0 - 4 000	0 - 25 000	0 - 4 000	0 - 25 000
438	0 - 5 000	0 - 30 000	0 - 5 000	0 - 30 000
439	0 - 6 000	0 - 40 000	0 - 6 000	0 - 40 000
442	0 - 10 000	0 - 60 000	0 - 10 000	0 - 60 000
446	0 - 15 000	0 - 100 000	0 - 15 000	0 - 100 000
448	0 - 20 000	0 - 120 000	0 - 20 000	0 - 120 000

Dimensions are subject to change without notice.

VACCUM DUAL SCALES

Code	Series RFF0400D2 & RFF0400LF1		Series RFF0400D5 & RFF0400LF5	
	Outer PSI (black)	Inner kPa (Blue)	Outer PSI (white)	Inner kPa (black)
401	30 - 0	- 100 - 0	30 - 0	- 100 - 0

Dimensions are subject to change without notice.

COMPOUND (PRESSURE & VACCUM) DUAL SCALES

Code	Series RFF0400D2 & RFF0400LF1		Series RFF0400D5 & RFF0400LF5	
	Outer PSI (black)	Inner kPa (Blue)	Outer PSI (white)	Inner kPa (black)
405	30 - 0 - 15	-100 - 0 - 100	30 - 0 - 15	-100 - 0 - 100
406	30 - 0 - 30	-100 - 0 - 200	30 - 0 - 30	-100 - 0 - 200
407	30 - 0 - 60	-100 - 0 - 400	30 - 0 - 60	-100 - 0 - 400
408	30 - 0 - 100	-100 - 0 - 600	30 - 0 - 100	-100 - 0 - 600
410	30 - 0 - 160	-100 - 0 - 1 000	30 - 0 - 160	-100 - 0 - 1 000
411	30 - 0 - 200	-100 - 0 - 2 000	30 - 0 - 200	-100 - 0 - 2 000

Dimensions are subject to change without notice.

Note

All information on this page are subject to change without prior notice. Contact us for exact graduation and interval of desired pressure gauge.

Dimensions not to be used for construction unless prints certified by factory

Pressure Gauges Accessories

SUBMITTAL DATA SHEET
 ISSUE DATE: MAY 2008
 REVISION DATE: SEP 2009

SERIES PSNB PRESSURE SNUBBER

Models	Type of Service	Pressure at 70°F	Connect.	Material	Pore Opening
PSNB-E	Water & Light Oil (30 to 225 SSU*)	1 500 PSI 10 350 kPa	1/4" 6.35 mm	Brass	0.0013 to 0.0025

Dimensions are subject to change without prior notice

* SSU = Saybolt Second Universal Viscosity



SERIES 2503 MINI BALL VALVE (TWO-WAY FLOW)

Models	Diameter	Pressure at 275°F	Handle	Material
2503MxF	1/4" F x 1/4" M (6.35 mm x 6.35 mm)	400 PSI 2 759 kPa	Plastic	Brass

Dimensions are subject to change without prior notice



SERIES SY14S SYPHON

Models	Diameter	Pressure	Temp.	Material
SY14S	1/4" MNPT x 1/4" MNPT (6.35 mm x 6.35 mm)	500 PSI 3 448 kPa	400°F 224°C	Steel

Dimensions are subject to change without prior notice



Typical Specifications for Pressure Gauges

Supply and install pressure gauges as shown on the drawings as distributed by FLO FAB or approved alternate. All pressure gauges supplied shall be by the same manufacturer.

4 1/2" PRESSURE GAUGES SERIES RFF0400

Gauges with 4 1/2" (115 mm) dial that meet the requirement of ONGC 91-GP-3, with a precision of 1% for series RFF0400LF1 (liquid), 2% for series RFF0400D2 (dry) and at 0.5% for series RFF0400D5 (dry) and RFF0400LF5 (liquid), unless otherwise indicated. The case shall be made of polished stainless steel 304 ANSI for liquid gauges type and dry for all modes. Bottom connection 1/4" NPT in brass. The gauges are graduated to operate in the center of their graduations. Normally, the graduation will be combined PSI & kPa. Acceptable model FLO FAB series RFF0400D2 or RFF0400D5 for dry and RFF0400LF1 or RFF0400LF5 for liquid filled.

PRESSURE GAUGE COCKS & ACCESSORIES

Provide pressure gauge cocks of brass construction on each gauge. Install a syphon when used with steam system.

Model FLO FAB mini-ball valve 2503 MxF.

Model FLO FAB SY14S steel syphon.

Model FLO FAB PSNB-E brass snubber

Dimensions not to be used for construction unless prints certified by factory



FLO FAB



www.flofab.com

**Manufacturer of Pumps, Tanks, Heat Exchangers & Accessories
for HVAC Market After-Sales Parts and Services**

FLO-FAB INC
LAKE WORTH,
FLORIDA, USA

SEPTEMBER 2009