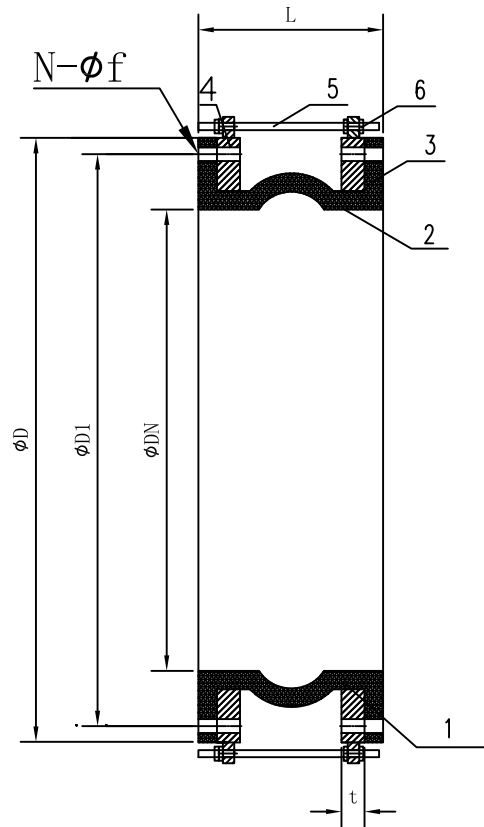


working pressure	PN10
working tempt.	-15° C ~120° C
shell test	2.5 MPa
Flange CLASS	ANSI Class150



SIZE	L	D	D1	N- ϕ f	t
DIN 750 30"	260	984.2	914.4	28- ϕ 35	54

6	bolt/nut	1	
5	Limit rod	1	Carbon steel
4	Flange	1	Carbon steel
3	Lining	1	Nylon cord fabric
2	frame	2	Hard steel wire
1	Main body	1	Polarized rubber
NO.	Name	Q' TY	Name



MONTREAL, (QC), CANADA
TORONTO, (ON), CANADA
LAKE WORTH, (FL), USA
WWW.FLOFAB.COM

RUBBER JOINT

SHEET 1 OF 1