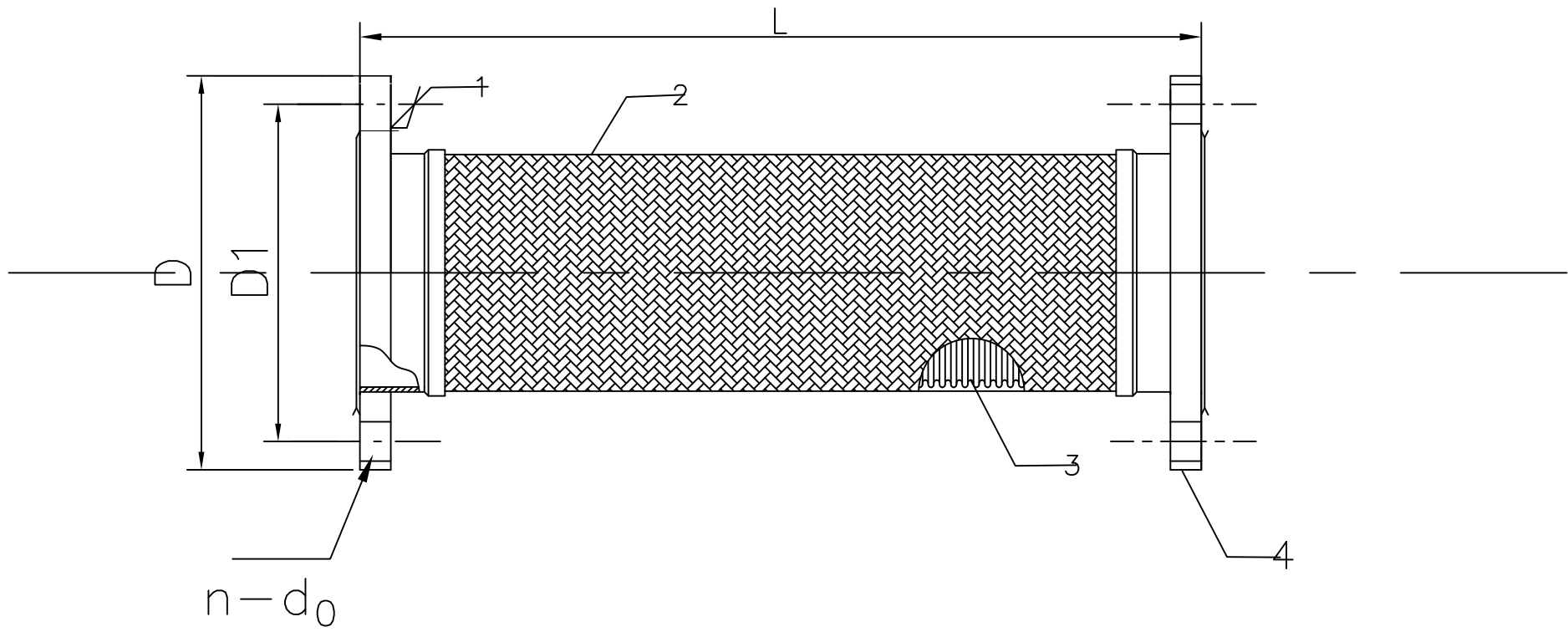


working parnessure	CLASS125
working temperature	-20° C ~ 120° C
Shell test	2.4 MPa
Flange conform to	ANSI Class150



4	Flange	1	Carbon steel
3	Bellows	1	SS304
2	woven wire	2	SS304
1	flange	1	Carbon steel
NO.	Name	QTY	Material

size(DIN)	size(ANSI)	D	D1	n*do	t	L
65	2.5"	177.8	139.5	4*19	22.4	229
100	4"	228.6	190.5	8*19	23.8	280
750	30"	984.2	914.4	28*35	54	457
1200	48"	1511	1422	44*41	108	609



MONTREAL, (QC), CANADA
TORONTO, (ON), CANADA
LAKE WORTH, (FL), USA
WWW.FLOFAB.COM

SS FLEXIBLE CONNECTOR			
SHEET 1 OF 1			