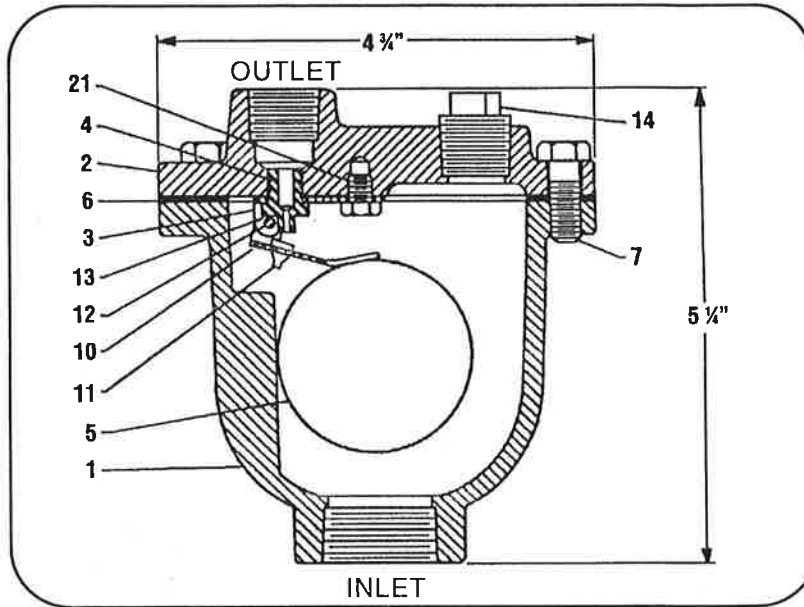




FLO FAB

SUBMITTAL SHEET
 DECEMBER 20 1994
 1-490-E2

AUTOMATIC AIR VENT



Maximum Working Pressure
 175 psi (1207 Kpa)

Test Pressure
 300 psi (2068 Kpa)

BILL OF MATERIALS

PART NO.	PART NAME	MATERIALS
1	BODY	CAST IRON ASTM A126 CLASS B
2	COVER	CAST IRON ASTM A126 CLASS B
3	LEVER FRAME	STAINLESS STEEL T304 ASTM A240
4	SEAT	STAINLESS STEEL T303 ASTM A276
5	FLOAT	STAINLESS STEEL T304 ASTM A240
6	GASKET	GARLOCK #3000 (NON-ASBESTOS)
7	COVER BOLT	ALLOY STEEL SAE GRADE 5
10	FLOAT ARM	STAINLESS STEEL T304 ASTM A240
11	ORIFICE BUTTON	VITON
12	PIVOT PIN	STAINLESS STEEL T303 ASTM A276
13	PIN RETAINER	STAINLESS STEEL PH 15-7 MO
14	PIPE PLUG	MALLEABLE IRON
21	LOCATOR	STAINLESS STEEL T18-8 ASTM A276

PROJECT: _____
 CONTRACTOR: _____
 ENGINEER: _____
 DATE: _____