



# Hydronic Accessories

## Butterfly Valves

BFVZ

## Wafer Check Valves

LSDDB

## Flexible Connectors

ST-SM-SSP-DSP-DUT

## Y and Basket Strainers

LCTY-LYF-SBS-DBS

## Pressure and/or Temperature Ports

## Air Vent

AA-MV



[www.flofab.com](http://www.flofab.com)

001-cat-2016-access

Go to [www.flofab.com](http://www.flofab.com) in Our Products Section to see the Master Spec - <http://www.arcomnet.com/masterspec/>





# TABLE OF CONTENT

<b>SERIES BFVZ : BUTTERFLY VALVE.....</b>	<b>2</b>
<b>SERIES BFVZ : BUTTERFLY VALVE - CHART.....</b>	<b>3-7</b>
<b>SERIES BFVZ - CV VALUE OF CONCENTRIC BUTTERFLY VALVES.....</b>	<b>8</b>
<b>SERIES LSDDDB : WAFER CHECK VALVE - CHART.....</b>	<b>9-10</b>
<b>SERIES LSDDDB - SILENT CHECK VALVE ENGINEERING DATA.....</b>	<b>11</b>
<b>SERIES ST &amp; SMF : STAINLESS STEEL FLEXIBLE.....</b>	<b>12</b>
<b>SERIES ST : STAINLESS STEEL FLEXIBLE - CHART.....</b>	<b>13</b>
<b>SERIES SMF : STAINLESS STEEL FLEXIBLE - CHART.....</b>	<b>14</b>
<b>SERIES SMF : STAINLESS STEEL FLEXIBLE.....</b>	<b>14</b>
<b>SERIES DUT : EPDM UNION ARCH FLEXIBLES .....</b>	<b>15</b>
<b>SERIES SSP &amp; DSP : EPDM UNION ARCH FLEXIBLES .....</b>	<b>16</b>
<b>SERIES SSP : EPDM UNION ARCH FLEXIBLES .....</b>	<b>17</b>
<b>SERIES DSP : EPDM UNION DOUBLE ARCH FLEXIBLES .....</b>	<b>18</b>
<b>SERIES LCTY &amp; LYF : THREADED Y STRAINER.....</b>	<b>19</b>
<b>SERIES LCTY : THREADED Y STRAINER SERIES - CHART.....</b>	<b>20</b>
<b>SERIES LYF : THREADED Y STRAINER SERIES - CHART.....</b>	<b>21</b>
<b>SERIES SBS &amp; DBS : FLANGED BASKET STRAINER.....</b>	<b>22</b>
<b>SERIES SBS : SIMPLEX BASKET STRAINER - CHART.....</b>	<b>23</b>
<b>SERIES DBS : DUPLEX BASKET STRAINER - CHART.....</b>	<b>24</b>
<b>SERIES SBS &amp; DBS - REPLACEMENT SCREEN &amp; BASKET.....</b>	<b>25</b>
<b>SERIES SBS &amp; DBS - STRAINERS PRESSURE DROP CURVES.....</b>	<b>26</b>
<b>SERIES MV &amp; AA : AIR VENT.....</b>	<b>27</b>
<b>PRESSURE AND/OR TEMPERATURE PORTS.....</b>	<b>27</b>
<b>SERIES AA : AIR VENT - CHART.....</b>	<b>28</b>
<b>SERIES AA : AIR VENT - EXPLANATION.....</b>	<b>29</b>
<b>SERIES MV : AIR VENT - CHART.....</b>	<b>30</b>

## HISTORY

Flo Fab was established in 1981 by Denis Gauvreau who created and developed the products line and constantly being perfected by Marc Gauvreau, as well as by a team of professional engineers and designers. It's a combination of existing designs from several renowned products and the innovative ideas of a new generation professionals.

Through the years, Flo Fab has acquired several companies and service entities including : AQUA-PROFAB (ASME Tanks manufacturer), MÉNARD, LÉONARD ÉLECTRIQUE, PMA. , Furthermore Flo Fab purchased equipment, fabrication designs and patterns from IDEALCO, a manufacturer of shell and tube type heat exchangers. The after sales services, sales, engineering, R&D, production, quality control, accounting and administration departments of all the above companies share the same location.

In December 2014, Marc Gauvreau, son of the founder, acquired all shares of The company. Flo Fab and is constantly investing in new state of the art innovations new product like the XRI series and Prefab Skid for Hydronic Heating & cooling system, pumping systems. This has allowed Flo Fab to retain competent and experienced staff of professionals with varied and specialized abilities that constantly work on improving our existing products and add new engineered solutions that exceeding customer's expectations .

Flo Fab has grown quite rapidly and now proudly offers of a wide range of products available directly from one manufacturer. This includes pumps & pump packages, tanks, heat exchangers & hydronic accessories. This allows each project stakeholders to enjoy economical savings, peace of mind, best value for their investment and optimized total cost of ownership.





## SERIES BFVZ : BUTTERFLY VALVE

### • 2" to 14" BFVZ Style Butterfly Valves

(See chart on page 3)



**Body:** Ductile Iron

**Disc Body:** Ductile Iron

**Disc:** DI nickel plated/DI Nylon coated/CF8/CF8M/  
Bronze/Hastert-Nickel Alloy/1.4529

**Seat:** NBR /EPDM /PTFE /VITON

**Shaft:** SS410/SS316

**Lever:** Ductile Iron/Aluminum Alloy

**Work temperature:** -12°C~100°C(NBR)/-20°C~130°C(EPD-  
M)/-10°C~180°C(PTFE)/ -20°C~220°C(VITON)

**Flange standard:** GB/T 9113, JB/T 79, BS4504,DIN, ANSI  
B16.5, ANSI B16.1 DI nickel plated/DI Nylon coated/CF8/CF8M/  
Bronze/Hastert-Nickel Alloy/1.4529

**Maximum Working Pressure :**

from 2" (50mm) to 12" (300mm)

200 PSI PN16 (1376 kPa) @ 225°F (107°C)

From 14" (350mm) to 24" (600mm)

150PSI PN10 (1034 kPa) @ 225°F (107°C)

#### SERIES BFVZ // Lugged butterfly valves, lever operated

(See chart on page 4-7)



**Body:** Ductile Iron

**Disc:** DI nickel plated/DI Nylon coated/CF8/CF8M/  
Bronze/Hastert-Nickle Alloy/1.4529

**Seat:** NBR /EPDM /PTFE /VITON

**Shaft:** SS410/SS316

**Lever:** Ductile Iron/Aluminium Alloy

**Work temperature:** -12°C~100°C(NBR)/-20°C~130°C(EPD-  
M)/-10°C~180°C(PTFE)/ -20°C~220°C(VITON)

**Flange standard:** GB/T 9113, JB/T 79, BS4504,DIN,ANSI  
B16.5, ANSI B16.1

**Maximum Working Pressure :**

from 2" (50mm) to 12" (300mm)

200 PSI PN16 (1376 kPa) @ 225°F (107°C)

From 14" (350mm) to 24" (600mm)

150PSI PN10 (1034 kPa) @ 225°F (107°C)

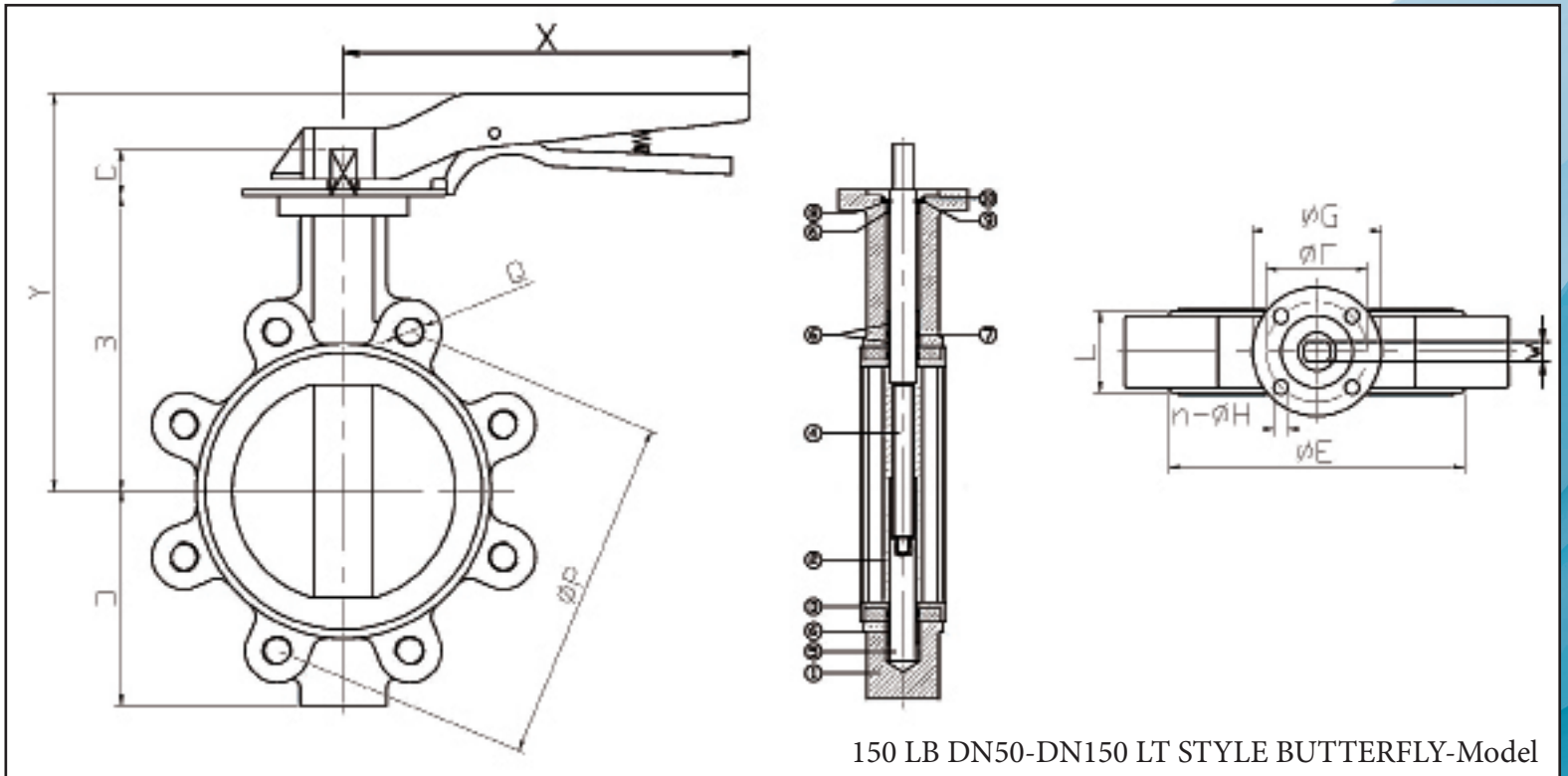
#### SERIES BFVZ // Operate Lug type butterfly valves





# SERIES BFVZ : BUTTERFLY VALVE

## • 2" to 6" BFVZ Style Butterfly Valves



150 LB DN50-DN150 LT STYLE BUTTERFLY-Model

✓	Dimensions (in)																Weight	
MODEL	SIZE	DN	A	B	C	D	E	F	G	nx ø H	L	M	P	Q	X	Y	(kg)	
BFV0200-L	2"	1.97	2.07	5.59	1.25	3.15	3.78	2.76	3.54	4x ø 0.39	F7	1.69	0.35	4.75	9.89	4-5/8UNC	6.85	3.8
BFV0250-L	2.5"	2.56	2.54	6.10		3.50	4.57					1.81		5.5			7.36	4.2
BFV0300-L	3"	3.15	78.9	6.33		3.74	5.20					6		7.60			4.7	
BFV0400-L	4"	3.94	4.10	7.08		4.49	5.98					2.04	0.43	7.5		8-5/8UNC	8.35	9.0
BFV0500-L	5"	4.92	4.86	7.60		5	7.17					2.20	0.55	8.5		8-3/4UNC	8.86	10.9
BFV0600-L	6"	5.90	6.14	8.07		5.47	8.07							9.5			9.33	14.2

✓	Dimensions (mm)																Weight	
MODEL	SIZE	DN	A	B	C	D	E	F	G	nx ø H	L	M	P	Q	X	Y	(lbs)	
BFV0200-L	51	50	52.6	142	32	80	96	70	90	4x ø 10	F7	43	9	120.65	251.2	4-5/8UNC	174	8.38
BFV0250-L	64	65	64.4	155		89	116					46		139.7			187	9.26
BFV0300-L	76	80	78.9	161		95	132					152.4		193			10.36	
BFV0400-L	102	100	104.1	180		114	152					52	11	190.5		8-5/8UNC	212	19.84
BFV0500-L	127	125	123.4	193		127	182					56	14	215.9		8-3/4UNC	225	24.03
BFV0600-L	152	150	155.96	205		139	205							241.3			237	31.30

NO.	PARTS	DESCRIPTION
1	Body	Ductile Iron
2	Disc	CF8
3	Seat	EPDM/NBR
4	UpperShaft	SS410
5	LowerShaft	
6	Bush	Nylon
7	O-Ring	EPDM
8	Half Ring	SS
9	Washer	
10	Preventor	Spring Steel

Models & Dimensions	Rated Output USGPM	Max Output USGPM	Ratio
3Dc-15 2" - 6"	150	270	24:1
3Dc-50 8" - 10"	500	700	30:1
3Dc-120 12" - 14"	1000	1200	50:1

LARGER SIZE AVAILABLE UPON REQUEST\*

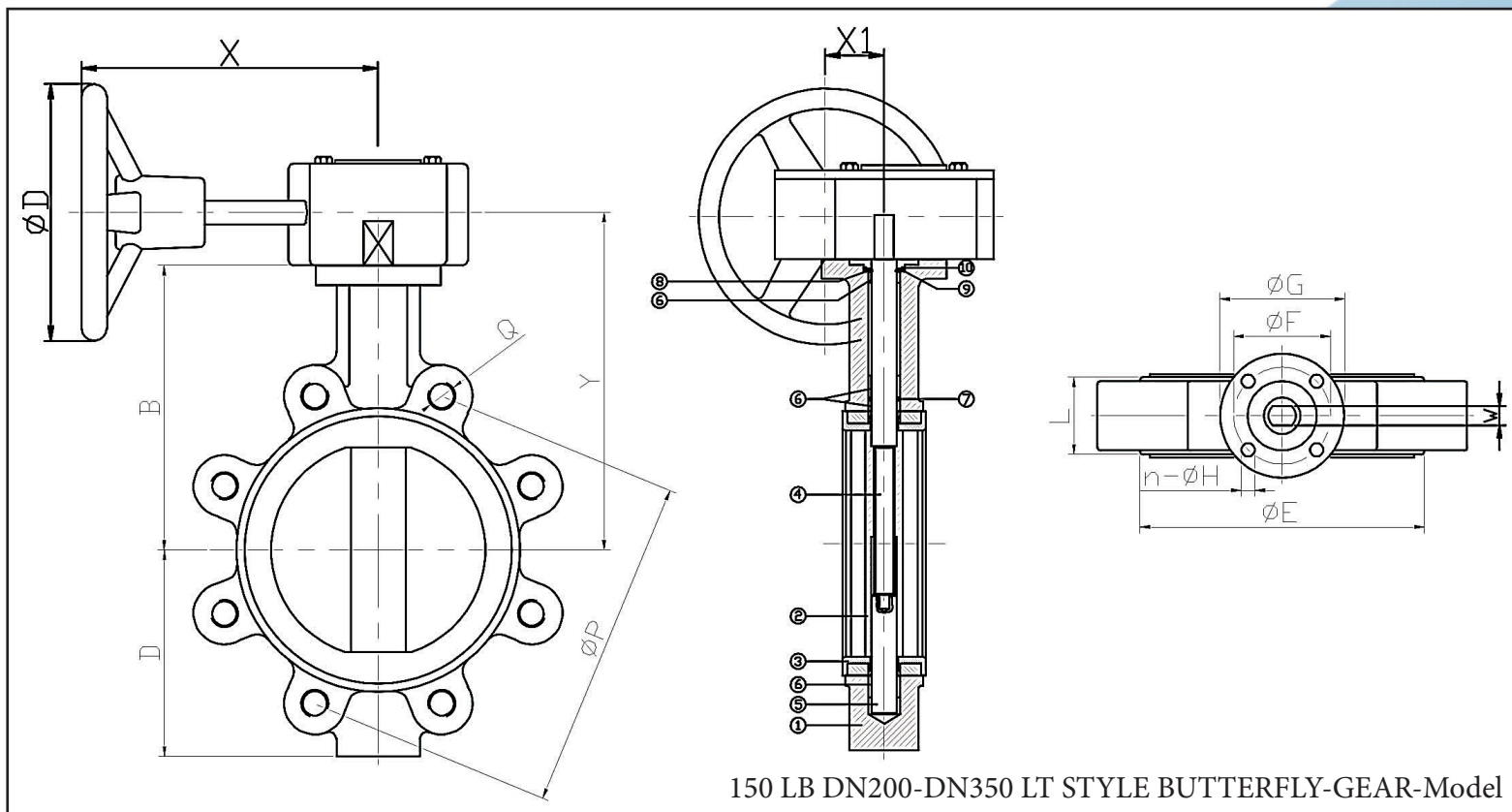
Dimensions not to be used for construction unless prints certified by factory.

Dimensions are subject to change without prior notice.



# SERIES BFVZ : BUTTERFLY VALVE

## • 8" to 14" BFVZ Style Butterfly Valves



150 LB DN200-DN350 LT STYLE BUTTERFLY-GEAR-Model

✓	Dimensions (in)																			Wt. (kg)
MODEL	SIZE	DN	A	B	C	D	E	F	G	nx Ø H		L	M	P	Q	X	X1	Y	D	
BFV0800-L	8"	7.87	7.99	9.84	1.57	6.89	10.24	4.01	4.92	4x Ø 12	F10	2.36	0.67	11.75	8-3/4UNC	8.74	2.99	11.18	8.46	18.2
BFV1000-L	10"	9.84	9.88	11.10		7.99	12.40					2.68		14.25	12-7/8UNC			12.44		26.8
BFV1200-L	12"	11.81	11.89	12.83		9.53	14.60					0.87		17		14.17	40			
BFV1400-L	14"	13.78	13.15	14.09		10.51	16.57					3.07		18.75	12-1UNC	15.75	56			

✓	Dimensions (mm)																			Wt. (lbs)
MODEL	SIZE	DN	A	B	C	D	E	F	G	nx Ø H		L	M	P	Q	X	X1	Y	D	
BFV0800-L	203	200	202.87	250	40	175	260	102	125	4x Ø 0.47	F10	60	17	298.45	8-3/4UNC	222	76	284	215	40.12
BFV1000-L	254	250	250.88	282		203	315					68		361.95	12-7/8UNC			316		59.08
BFV1200-L	305	300	301.9	326		242	371					22		431.8		360	88.18			
BFV1400-L	356	350	334.01	358		267	421					78		476.25	12-1UNC	400	123.46			

Models & Dimensions	Rated Output USGPM	Max Output USGPM	Ratio
3Dc-15 2" - 6"	150	270	24:1
3Dc-50 8" - 10"	500	700	30:1
3Dc-120 12" - 14"	1000	1200	50:1

LARGER SIZE AVAILABLE UPON REQUEST\*

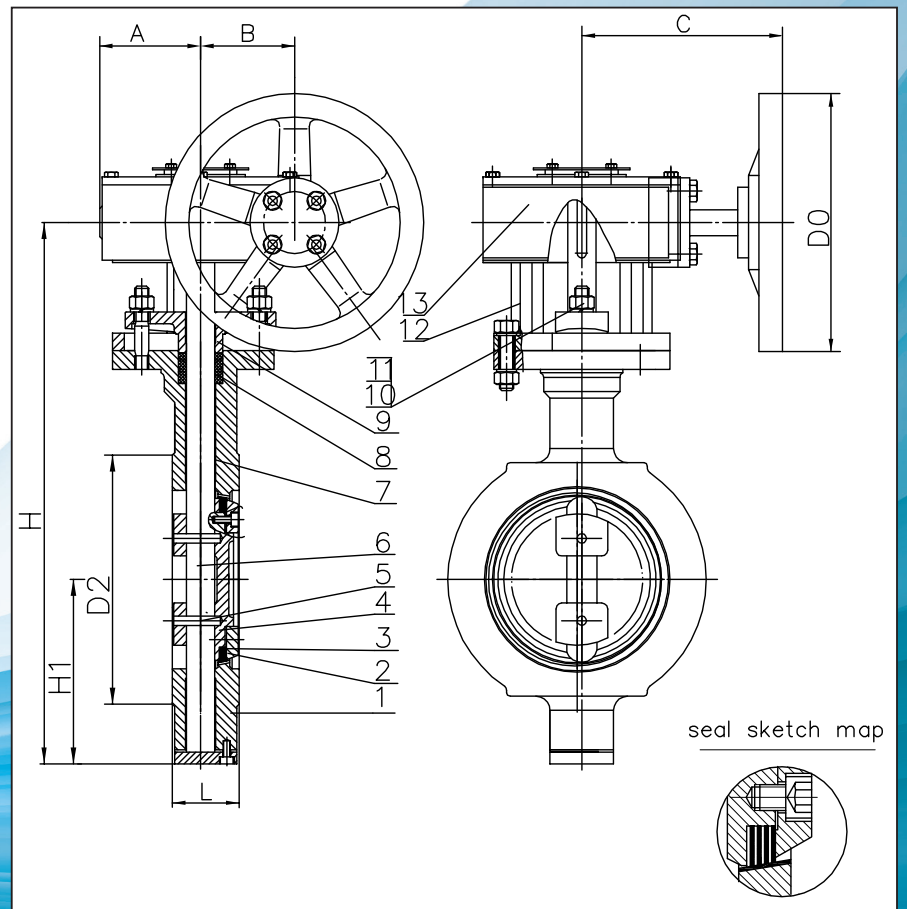
Dimensions not to be used for construction unless prints certified by factory.

Dimensions are subject to change without prior notice.

NO.	PARTS	DESCRIPTION
1	Body	Ductile Iron
2	Disc	CF8
3	Seat	EPDM/NBR
4	UpperShaft	SS410
5	LowerShaft	
6	Bush	Nylon
7	O-Ring	EPDM
8	Half Ring	SS
9	Washer	
10	Preventor	Spring Steel

**• 2" to 4" BFVZ Style Butterfly Valves  
Class 300**

NO.	PARTS	MATERIAL
1	Body	ASTM A216 WCB
2	Cover	ASTM A105
3	Seat Ring	SS304+Graphite
4	Disc	ASTM A216 WCB
5	Pin	9260
6	Stem	SS410
7	Bushing	Q235+PTFE
8	Packing	Graphite
9	Gland	ASTM A216 WCB
10	Gland Bolt	A193 B7
11	Gland Nut	A194 2H
12	Yoke	ASTM A216 WCB
13	Gear Operated	-



√	Nominal Diameter		Main Dimension (mm)								Weight	
	inch	mm	D1	D2	L	H1	H	A	B	C	DO	(kg)
	2	50	127	92	45	345	345	53	50	106	150	3.8
	2 1/2	65	149.2	105	48	367	367					4.2
	3	80	168.3	127	48	390	390					4.7
	4	100	200	157	54	432	432					9.0

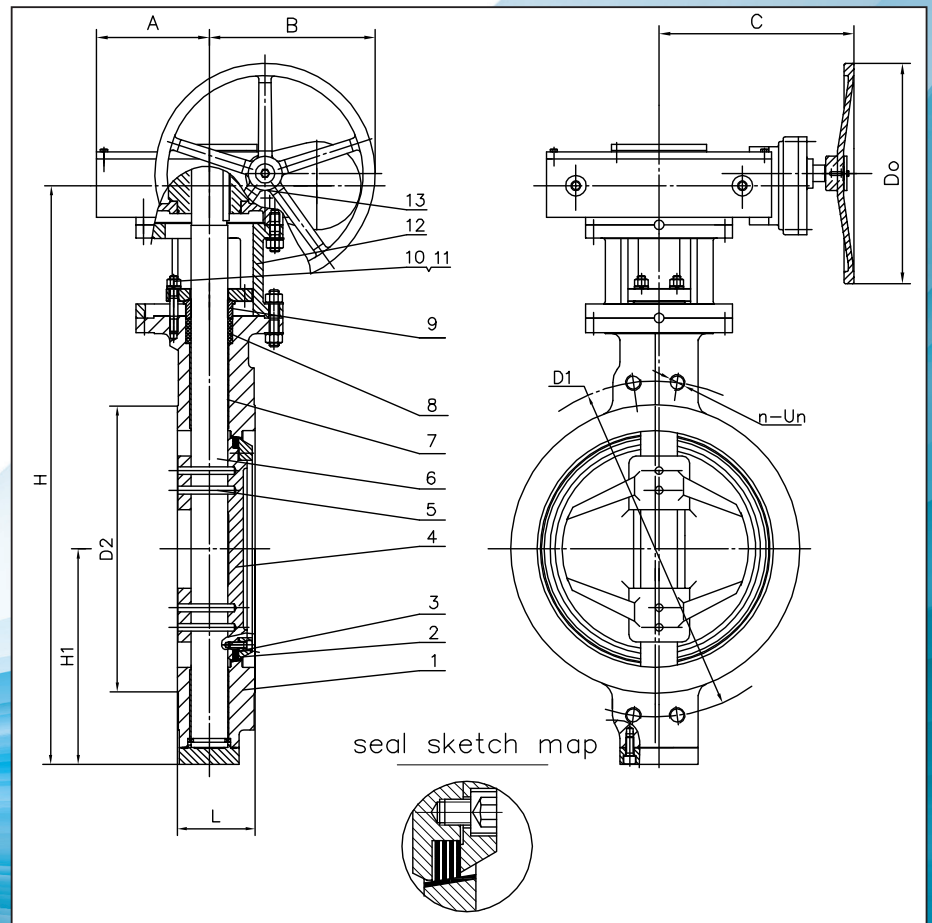
√	Nominal Diameter		Main Dimension (in)								Weight	
	inch	mm	D1	D2	L	H1	H	A	B	C	DO	(lbs)
	2	50	5.00	3.62	1.77	13.58	13.58	2.09	1.97	4.17	5.91	8.38
	2 1/2	65	5.87	4.13	1.89	14.45	14.45					9.26
	3	80	6.63	5.00	1.89	15.35	15.35					10.36
	4	100	7.87	6.18	2.13	17.01	17.01					19.84



# SERIES BFVZ : BUTTERFLY VALVE

## • 6" to 10" BFVZ Style Butterfly Valves Class 300

NO.	PARTS	MATERIAL
1	Body	ASTM A216 WCB
2	Cover	ASTM A105
3	Seat Ring	SS304+Graphite
4	Disc	ASTM A216 WCB
5	Pin	9260
6	Stem	SS420
7	Bushing	Q235+PTFE
8	Packing	Graphite
9	Gland	ASTM A216 WCB
10	Gland Bolt	A193 B7
11	Gland Nut	A194 2H
12	Yoke	ASTM A216 WCB
13	Gear Operated	-



√	Nominal Diameter		Main Dimension (mm)								Weight	
	inch	mm	D1	D2	n-Un	H1	H	A	B	C	DO	(kg)
	6	150	269.9	216	4-19	200	554	84	80	143	200	14.2
	8	200	330.2	270	4-22	240	652	113	108	200	320	18.2
	10	250	387.4	324	4-25	280	730	113	108	200	320	26.8

√	Nominal Diameter		Main Dimension (inches)								Weight	
	inch	mm	D1	D2	n-Un	H1	H	A	B	C	DO	(lbs)
	6	150	10.63	8.50	4-3/4"	7.87	21.81	3.31	3.15	5.63	7.87	31.30
	8	200	13.00	10.63	4-7/8"	9.45	25.67	4.45	4.25	7.87	12.60	40.12
	10	250	15.25	12.76	4-1"	11.02	28.74	4.45	4.25	7.87	12.60	59.08

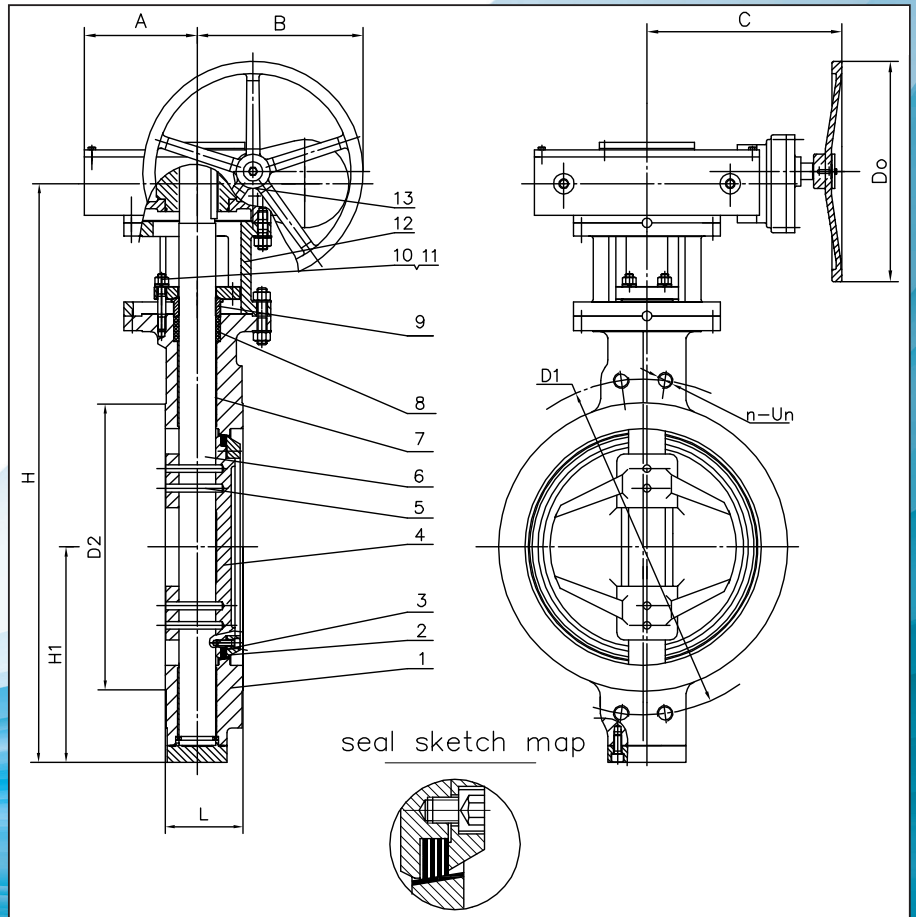




# SERIES BFVZ : BUTTERFLY VALVE

## • 12" to 14" BFVZ Style Butterfly Valves Class 300

NO.	PARTS	MATERIAL
1	Body	ASTM A216 WCB
2	Cover	ASTM A105
3	Seat Ring	SS304+Graphite
4	Disc	ASTM A216 WCB
5	Pin	9260
6	Stem	SS420
7	Bushing	Self lubricating
8	Packing	Graphite
9	Gland	ASTM A216 WCB
10	Gland Bolt	A193 B7
11	Gland Nut	A194 2H
12	Yoke	ASTM A216 WCB
13	Gear Operated	-



√	Nominal Diameter		Main Dimension (mm)									Weight
	inch	mm	D1	D2	n-Un	H1	H	A	B	C	DO	(kg)
	12	300	450	381	4-11/8"	92	825	113	108	200	320	40
	14	350	514.4	413	4-11/8"	117	902	150	144	330	450	56

√	Nominal Diameter		Main Dimension (inches)									Weight
	inch	mm	D1	D2	n-Un	H1	H	A	B	C	DO	(lbs)
	12	300	17.72	15.00	4-35	3.62	32.48	4.45	4.25	7.87	12.60	88.18
	14	350	20.25	16.26	4-35	4.61	35.51	5.91	5.67	12.99	17.72	123.46



## ● CV Value of Concentric Butterfly Valves

### Definition of a Kv Value

The value Kv is the flow rate of pure water at 15°C passing through the valve when the disc is fully opened and the differential pressure between the two ends of the valve is 100

### Definition of a Cv Value

The value Cv is the flow rate of pure water at 60°F passing through the valve when the disc is fully opened and the differential pressure between the two ends of the valve is 1 PSI.

Sizes in	Flow in USGPM @ 1 PSI @ Various Disc Angle								
	10°	20°	30°	40°	50°	60°	70°	80°	Full Open 90°
2	0.1	5	12	24	45	64	90	125	135
2½	0.2	8	20	37	65	98	144	204	220
3	0.3	12	22	39	70	116	183	275	302
4	0.5	17	36	78	139	230	364	546	600
5	0.8	29	61	133	237	392	620	930	1022
6	2	45	95	205	366	605	958	1437	1579
8	3	89	188	408	727	1202	1903	2854	3136
10	4	151	320	694	1237	2047	3240	4859	5340
12	5	234	495	1072	1911	3162	5005	7505	8250
14	6	338	715	1549	2761	4568	7230	10844	11917
16	8	464	983	2130	3797	6282	9942	14913	16388
18	11	615	1302	2822	5028	8320	13168	19752	21705
20	14	791	1674	3628	6465	10698	16931	25396	27908
24	22	1222	2587	5605	9989	16528	26157	39236	43116

$$Kv = Q \sqrt{\frac{G}{\Delta P}}$$

**Q** Maximum Flow (m<sup>3</sup>/h)  
**G** Specific Gravity (g/cm<sup>3</sup>) (1 for water)  
**Δ P** Differential Pressure (kPa)

$$Kv = 0.855 Cv$$

$$Cv = V \sqrt{\frac{G}{\Delta P}}$$

**V** Maximum Flow (USGPM)  
**G** Specific Gravity (1 for water)  
**Δ P** Differential Pressure (PSI)

$$Cv = 1.77 Kv$$

Dimensions not to be used for construction unless prints certified by factory.  
 Dimensions are subject to change without prior notice.



# SERIES LSDDDB : WAFER CHECK VALVE

## ● LSDDDB

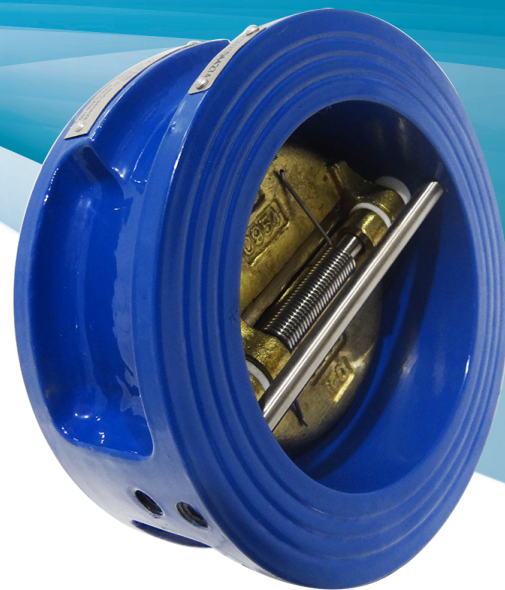
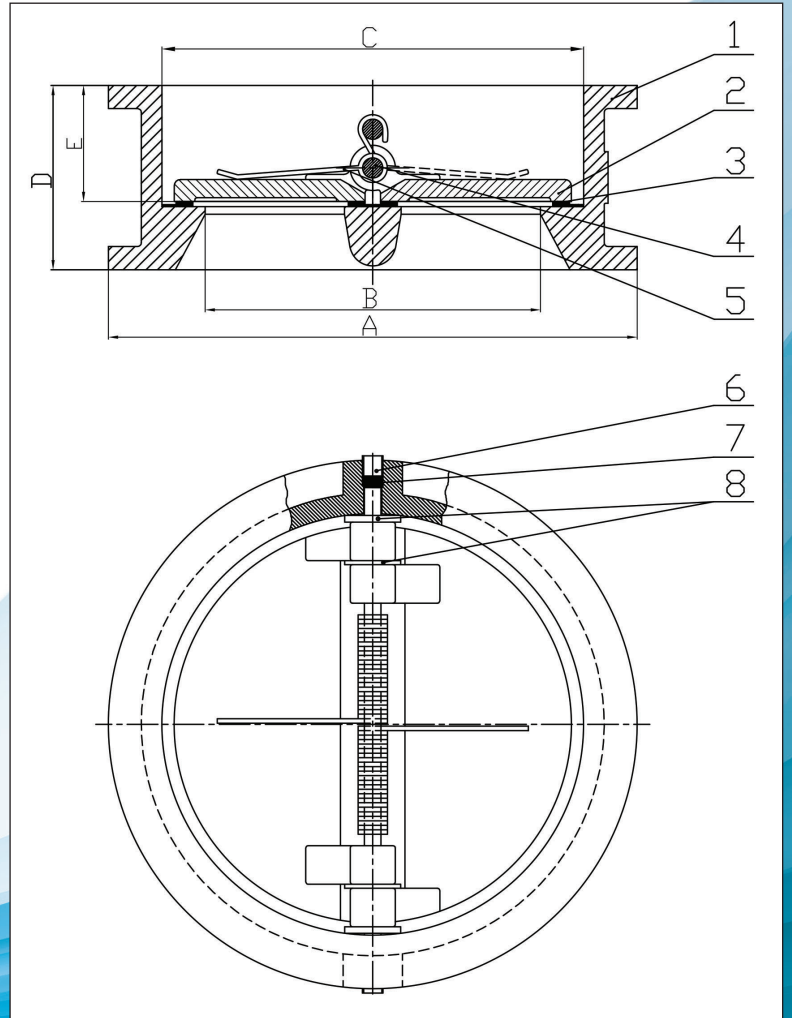
NO.	PARTS	QTY	DESCRIPTION
1	Body	1	Cast Iron
2	Disc	2	All-Bronze
3	Seat	1	EPDM
4	Shaft	2	SS316
5	Spring		
6	Plug	4	SS
7	Rubber Plug	4	Rubber
8	Gasket	4	PTFE

√	Dimensions (in)						Wt.
	Size	A	B	C	D	E	(kg)
	2" DN50	4.21	1.57	2.56	1.69	1.26	3.2
	2.5" DN65	5.00	2.36	3.15	1.81	1.30	2.5
	3" DN80	5.59	2.76	3.70	2.52	1.69	3.6
	4" DN100	6.38	3.46	4.61	2.52	1.85	5.7
	5" DN125	7.56	4.53	5.71	2.76	1.93	7.3
	6" DN150	8.66	5.28	6.69	2.99	2.01	9
	8" DN200	10.75	7.17	8.82	3.50	2.24	17
	10" DN250	12.91	8.66	10.43	4.49	3.03	26
	12" DN300	14.88	10.24	12.20	4.49	2.87	42
	14" DN350	17.24	11.73	14.17	5.00	3.07	55
	16" DN400	19.25	13.78	16.14	5.51	3.43	75

√	Dimensions (mm)						Wt.
	Size	A	B	C	D	E	(lbs)
	2" DN50	107	40	65	43	32	7.05
	2.5" DN65	127	60	80	46	33	5.51
	3" DN80	142	70	94	64	43	7.94
	4" DN100	162	88	117	64	47	12.57
	5" DN125	192	115	145	70	49	16.09
	6" DN150	220	134	170	76	51	19.84
	8" DN200	273	182	224	89	57	37.48
	10" DN250	328	220	265	114	77	57.32
	12" DN300	378	260	310	114	73	92.59
	14" DN350	438	298	360	127	78	121.25
	16" DN400	489	350	410	140	87	165.35

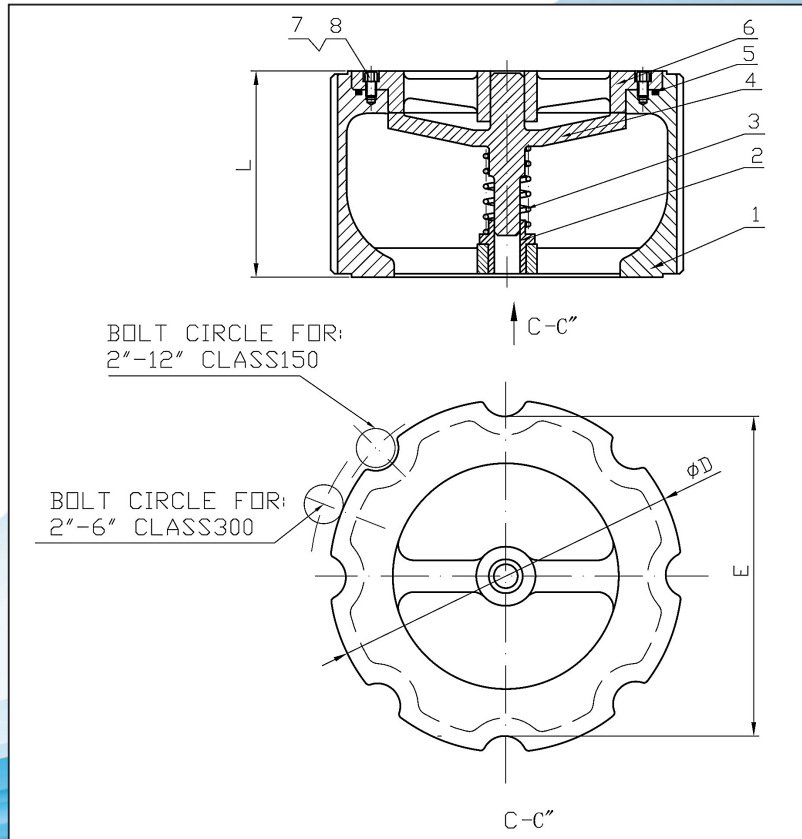
LARGER SIZE AVAILABLE UPON REQUEST\*

Dimensions not to be used for construction unless prints certified by factory. Dimensions are subject to change without prior notice.



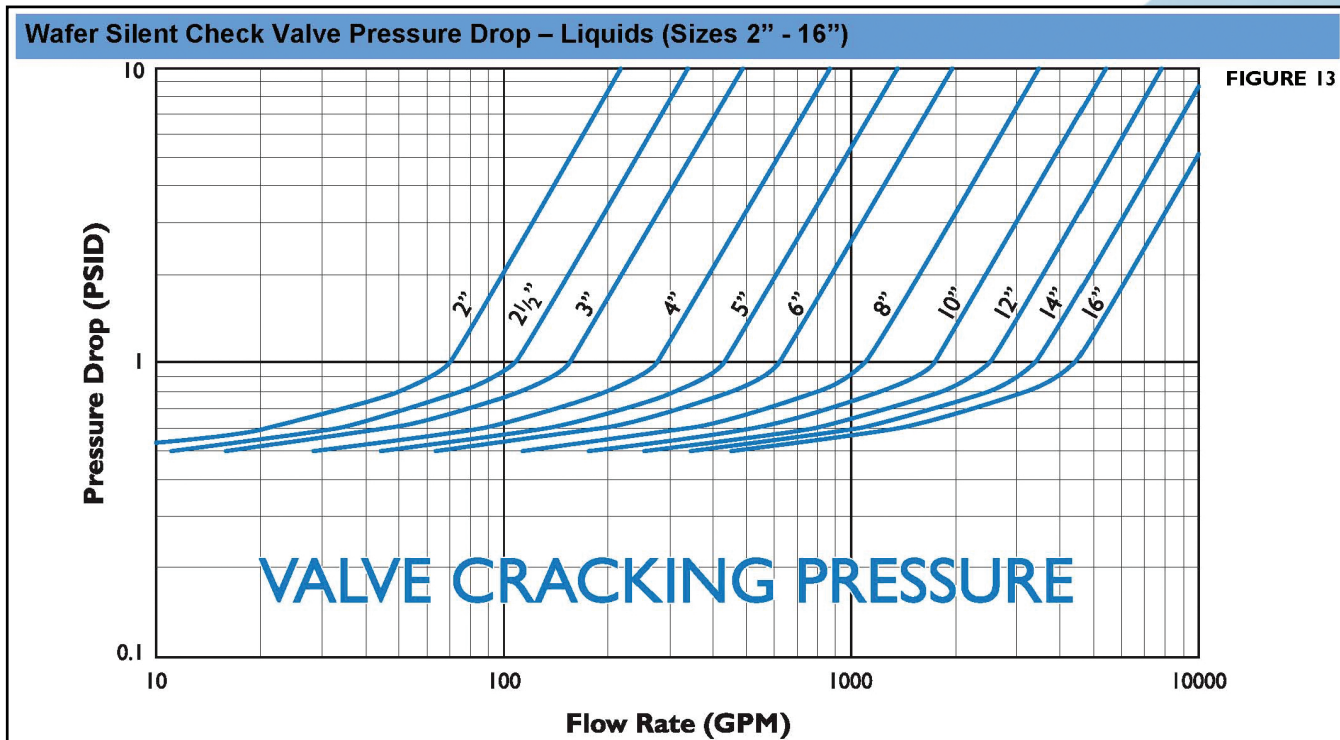
**• LSDDB**  
Class 300

NO.	PARTS	MATERIAL
1	Body	WCB/CF8M
2	Bushing	CF8M
3	Spring	SS304/316
4	Disc	CF8M
5	O RING	VITON
6	Seat	CF8M
7	O Ring	VITON
8	Screw	SS304



Dimensions in inches						Dimensions in mm					
Size	ANSI Class	CWP PSI	øD	E	L	Size	ANSI Class	CWP PSI	øD	E	L
2	150/300	740	4.25	4.02	2.68	51	150/300	740	108	102	68
2.5	150/300	740	5.00	4.76	2.95	64	150/300	740	127	121	75
3	150/300	740	5.75	5.24	3.19	76	150/300	740	146	133	81
4	150/300	740	7.01	6.73	4.06	102	150/300	740	178	171	103
5	150/300	740	8.39	7.64	4.69	127	150/300	740	213	194	119
6	150/300	740	9.76	8.62	5.63	152	150/300	740	248	219	143
8	150	285	13.58	10.87	6.61	203	150	285	345	276	168
10	150	285	16.02	13.27	8.31	254	150	285	407	337	211
12	150	285	16.50	15.98	11.30	305	150	285	419	406	287

## ● Silent Check Valve Engineering Data



- Notes:**
1. Pressure drop curves are based on water flow.
  2. Valve cracking pressure is equal to or less than 0.5 psid.
  3. Valve cracking pressure increases to between 0.75 and 1.25 psid when installed vertically with flow upwards.

### Method of Calculating Flow

#### Liquid Flow

$$C_v = Q \sqrt{\frac{G}{\Delta P}} \quad Q = C_v \sqrt{\frac{\Delta P}{G}} \quad \Delta P = G \left( \frac{Q}{C_v} \right)^2$$

#### Gas Flow

$$C_v = \frac{Q}{963} \sqrt{\frac{GT}{\Delta P (P_1 + P_2)}} \quad Q = 963 C_v \sqrt{\frac{\Delta P (P_1 + P_2)}{GT}}$$

#### Saturated Vapour

$$C_v = \frac{W}{K} \sqrt{\frac{1}{\Delta P (P_1 + P_2)}} \quad W = C_v K \sqrt{\Delta P (P_1 + P_2)}$$

#### Superheated Vapour

$$C_v = \frac{W(1+0.0007T_{SH})}{K} \sqrt{\frac{1}{\Delta P (P_1 + P_2)}} \quad C_v = \frac{C_v K}{(1+0.0007T_{SH})} \sqrt{\Delta P (P_1 + P_2)}$$

#### Variables

**C<sub>v</sub>** = Valve Coefficient  
**ΔP** = (P<sub>1</sub> - P<sub>2</sub>) Pressure Drop  
**P<sub>1</sub>** = Inlet Pressure (PSIA)  
**P<sub>2</sub>** = Outlet Pressure (PSIA)  
**G** = Specific Gravity  
 Water = 1.0 at 60°F and 1 ATM  
 Air = 1.0 at 60°F and 1 ATM

**Q** = Flow  
 Liquid = USGPM  
 Gas = SCFH  
**T** = Absolute Temperature (°F + 460)  
**T<sub>SH</sub>** = Superheat (°F)  
 Total Temperature Minus Saturation Temperature  
**W** = lbs. Per Hour (LB/H)  
**K** = Constant For Vapours



## SERIES ST/SMF : STAINLESS STEEL FLEXIBLE

### ● ST & SMF

(See chart on page 13)



**Body:** Stainless steel single braided corrugated hose with SCH40 carbon steel male nipples welded at each end.

**Sizes:** From 1/2" to 2" (15mm to 50mm)

**Lengths:** From 10" to 14" (250mm to 350mm)  
other lengths also available.

**Braided Hose:** Gives a high temperature leak proof, with appropriate fillings attached you have a connector which allows temperature up to 850°F (457°C) and pressure up to 850 PSI (5860 KPa) at 70°F (21°C).

**Temperature:** As working temperature increases, the pressure ratings of corrugated hose decreases.

**Allowable Motion:** Flexible pump connectors will absorb vibration, release stress from mating equipment and allow the correction of some misalignment.

#### SERIES ST // Standard Male Threaded Connectors

(See chart on page 14)



**Body:** Stainless steel single braided corrugated hose with ASA #150 carbon steel plate flanges welded at each end.

**Sizes:** From 2" to 14" (50mm to 350mm)

**Lengths:** From 10" to 20" (250mm to 500 mm)  
other lengths also available.

**Braided Hose:** Gives a high temperature leak proof, with appropriate fittings attached you have a connector which allows temperature up to 850°F (457°C) and pressure up to 850 PSI (5860 KPa) at 70°F (21°C).

**Temperature:** As working temperature increases, the pressure ratings at corrugated hose decreases.

**Allowable Motion:** Flexible pump connectors will absorb vibration, release stress from mating equipment and allow the correction of some misalignment.

**Note:** Install all pump connectors in a straight line without offset. Piping must be anchored or hung so that the weight of the piping does not rest on the pump connector.

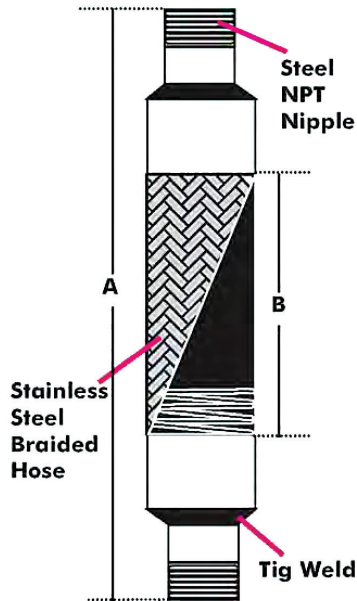
#### SERIES SMF // Standard Flanged Connectors





# SERIES ST : STAINLESS STEEL FLEXIBLE

## ● ST



**\*Other sizes are available but not shown**

✓	Dimensions (in/mm)				(lbs/kg)	
	Models	Sizes	A	B	Pressure @ 70°F(21°C)	Weight
	ST0050-10	1/2" 15mm	9 3/4" 247.65mm	6 1/2" 165.1mm	750PSI 5172kPa	0.5lbs 0.2kg
	ST0075-10	3/4" 20mm	9 7/8" 248.92mm		0.75lbs 0.3kg	
	ST0100-10	1" 25mm	9 3/4" 247.65mm		650PSI 4482kPa	1lbs 0.4kg
	ST0125-10	1 1/4" 32mm	10 1/8" 256.64mm	6" 152.4mm	550PSI 3792kPa	1.5lbs 0.6kg
	ST0150-10	1 1/2" 40mm	9 7/8" 248.92	5 1/2" 139.7mm	500PSI 3448kPa	2lbs 0.9kg
	ST0200-14	2" 50mm	13 3/4" 349.25mm	7 1/2" 101.6mm	475 PSI 3275	2.5lbs 1.1kg

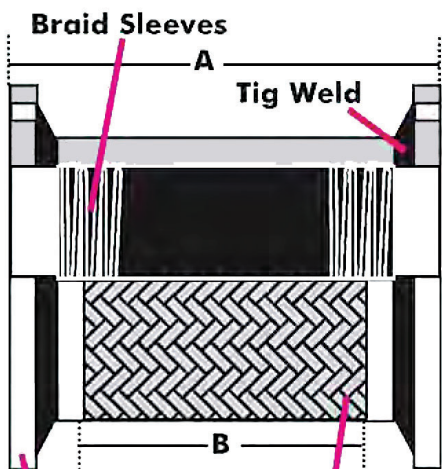
Temperature Conversion Factors						Maximum Service Temperature					
Apply to pressure rating for elevated temperature											
Temperature		Material				Alloy	Maximum		Alloy	Maximum	
°C	°F	Stainless Steel	Steel	Monel	Bronze		°C	°F		°C	°F
21	70	1.00	1.00	1.00	1.00	AISI Stainless Steel Type			Brazing(RCuZn-C or BCuP-2)	232	450
65	150	0.97	0.99	0.93	0.92	321	815	1500	Bronze Hose	454	850
93	200	0.94	0.97	0.90	0.89	316 ELC			Steel Hose	315	600
121	250	0.92	0.96	0.87	0.86	304	454	850	Silver Brazing (AWS-B-Ag-2)		
148	300	0.88	0.93	0.83	0.83	302			Asbestos Packing Grade		
176	350	0.86	0.91	0.82	0.61	Mild Steel			Commercial Asbestos	204	400
204	400	0.83	0.87	0.79	0.78	Malleable Iron	426	800	Underwriters Asbestos	232	450
232	450	0.81	0.86	0.77	0.75	Monel			A Asbestos	287	550
260	500	0.78	0.81	0.73		Bronze	232	450	AA Asbestos	315	600
315	600	0.74	0.74	0.72		Brass			AAA Asbestos	398	750
371	700	0.70	0.66	0.71		Cooper	204	400	AAAA Asbestos	482	900
426	800	0.66	0.52	0.70		Aluminum 52S-0(5062-0)	315	600	Cotton Cord Packing	93	200
482	900	0.62	0.50			Galvanizing	232	450			
537	1000	0.60				Soft Solder(Pb: 60 Sn:40)	121	250			
593	1100	0.58				(Pb: 95 Sn:5)	176	350			
648	1200	0.55									
704	1300	0.50									
760	1400	0.44									
815	1500	0.40									

Dimensions not to be used for construction unless prints certified by factory.  
Dimensions are subject to change without prior notice

Also Available with steel hex male nipple up to 2" diameter

**13** Go to [www.flofab.com](http://www.flofab.com) in Our Products Section to see the Master Spec - <http://www.arcomnet.com/masterspec/>





● **SMF**

ANSI 150 Carbon Steel Flange

**\*Other sizes are available but not shown**

✓	Dimensions (in/mm)		Temperature (PSI/kPa)				
	MODELS	Nom Dia. & Overall length	Max Offset		Maximum Working Pressure		
			Intermittent	Static	@ 70°F	@ 250°F	@400°F
	<b>SMF0250-10</b>	2 1/2 x 10" (63.5 x 254mm)	1/16" (1.59mm)	1/8" (3.175mm)	275PSI 1895kPa	253PSI 1743kPa	204PSI 1406kPa
	<b>SMF0300-10</b>	3 x 10" (76.2 x 254mm)			275PSI 1895kPa	253PSI 1743kPa	204PSI 1406kPa
	<b>SMF0400-11</b>	4 x 11" (101.6 x 279.4mm)		3/16" (4.76mm)	230PSI 1585kPa	200PSI 1378kPa	180PSI 1240kPa
	<b>SMF0500-13</b>	5 x 13" (127 x 330.2mm)		1/8" (3.175mm)	190PSI 1309kPa	165PSI 1137kPa	150PSI 1034kPa
	<b>SMF0600-14</b>	6 x 14" (152 x 355.6mm)		3/16" (4.76mm)	135PSI 930kPa	120PSI 827kPa	105PSI 723kPa
	<b>SMF0800-15</b>	8 x 15" (203.2 x 381mm)		1/8" (3.175mm)	235PSI 1619kPa	205PSI 1412kPa	185PSI 1275kPa
	<b>SMF1000-17</b>	10 x 17" (254 x 431.8mm)			230PSI 1585kPa	200PSI 1378kPa	180PSI 1240kPa
	<b>SMF1200-18</b>	12 x 18" (304.8 x 457.2mm)			160PSI 1102kPa	140PSI 965kPa	125PSI 861kPa
	<b>SMF1400-20</b>	14 x 20" (355.6mm x 508mm)		1/8" (3.175mm)	105PSI 723kPa	N/A	N/A



Flange: ANSI 150 CARBON Steel  
 Braided: SS304 or SS316 Stainless Steel  
 Work temperature: -50°C~450°C  
 Flange STD, GB7306, BS21, DIN2999, ANSI, B1.20.1  
 Size: DN15~DN400



**SERIES SMF // Flanged Stainless Steel Braided Flexible Connectors**

Dimensions not to be used for construction unless prints certified by factory.  
 Dimensions are subject to change without prior notice.

Go to [www.flofab.com](http://www.flofab.com) in Our Products Section to see the Master Spec - <http://www.arcomnet.com/masterspec/>



# SERIES DUT : EPDM UNION ARCH FLEXIBLE

## • DUT



**Body:** Spherical shape, stronger than the standard cylindrical shape. The spherical designed «long-arch» reduces turbulence and sediment build-up. #150 MI Union fittings at both ends.

**Ratings:** Up to 214 PSI (1475 kPa) and up to 240°F (115°C)

**Sizes:** From 1/2" to 2" (15mm to 50mm)

**Allowable Motion:** Spherical bellows can absorb many times the movements of standard products. Compression, extension, deflection and angular movements are easily handled. High pressure molding of EPDM results in lighter weight and thinner wall sections that requires less force to deflect than other products. Reducing and preventing stresses and strains on flanges or piping. Series DUT allows angular motion to 45° angle.

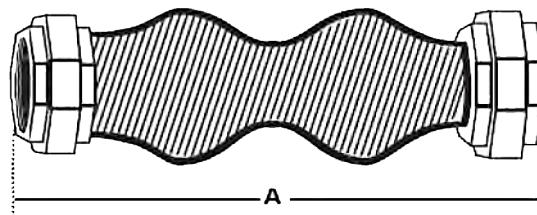
**Corrosion Resistance:** EPDM offers excellent chemical resistance. Under normal conditions, extensive service life can be expected from EPDM material.

**Vibration, Noise & Shock:** Reduces noise, sound losses energy travelling axially through the EPDM bellows. Reduces vibrations, insulates the equipment to allow free movement in its vibration mountings.

### SERIES DUT // EPDM Union Arch Flexibles Series

√	Dimensions (in/mm)	MODELS	Sizes	A	Allowable Movements				Pressure @ 70°F(21°C)	Weight
					Compression	Extension	Lateral	Angular		
		DUT0050	1/2" 15mm	6 3/4" 171.45mm	7/8" 20.32mm	1/4" 6.35mm	7/8" 20.32mm	45°	150 PSI 1034 kPa	2lbs 0.9kg
		DUT0075	3/4" 20mm	8" 203.2mm						
		DUT0100	1" 25mm	8 1/4" 209.55mm						
		DUT0125	1 1/4" 32mm	8 7/8" 223.52mm						
		DUT0150	1 1/2" 40mm	8 1/2" 215.9mm						
		DUT0200	2" 50mm	9 1/2" 241.3mm						

Dimensions not to be used for construction unless prints certified by factory.  
LARGER SIZE AVAILABLE UPON REQUEST\*







## SERIES SSP/DSP : EPDM FLEXIBLE

### ● SSP & DSP

(See chart on page 17)



**Body:** Spherical shape, stronger than the standard cylindrical shape. The spherical designed «long-arch» reduces turbulence and sediment build-up. ANSI #150 flanges at both ends.

**Ratings:** Up to 214 PSI [1475 kPa] and up to 240°F (115°C)

**Sizes:** From 1 1/2 to 20" (40mm to 500mm)

**Allowable Motion:** Spherical bellows can absorb many times the movements of standard products. Compression, extension, deflection and angular movements are easily handled. High pressure molding of EPDM results in lighter weight and thinner wall sections that requires less force to deflect than other products. Reducing and preventing stresses and strains on flanges or piping. Series SSP allows standard motion.

**Corrosion Resistance:** EPDM offers excellent chemical resistance. Under normal conditions, extensive service life can be expected from EPDM

**Vibration, Noise & Shock:** Reduces noise, sound loses energy travelling axially through the EPDM bellows. Reduces vibrations, insulates the equipment to allow free movement on its vibration mountings.

#### SERIES SSP // EPDM Single Arch Flexibles

(See chart on page 18)



**Body:** Spherical shape, stronger than the standard cylindrical shape. The spherical designed «long-arch» reduces turbulence and sediment build-up. ANSI #150 Flanges at both ends.

**Ratings:** Up to 214 PSI (1475 kPa) and up to 240°F 115°C)

**Sizes:** From 1 1/2" to 14" (40mm to 350mm)

**Allowable Motion:** Spherical bellows can absorb many times the movements of standard products. Compression, extension, deflection and angular movements are easily handled. High pressure molding of EPDM results in lighter weight and thinner wall sections that requires less force to deflect than other products. Reducing and preventing stresses and strains on flanges or piping. Series DSP allows extra motion.

**Corrosion Resistance:** EPDM offers excellent chemical resistance. Under normal conditions, extensive service life can be expected from EPDM

**Vibration, Noise & Shock:** Reduces noise, sound loses energy travelling axially through the EPDM bellows. Reduces vibrations, insulates the equipment to allow free movement on its vibration mountings.

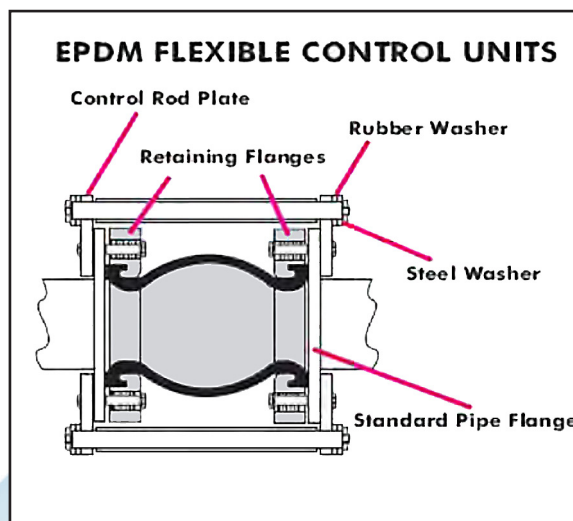
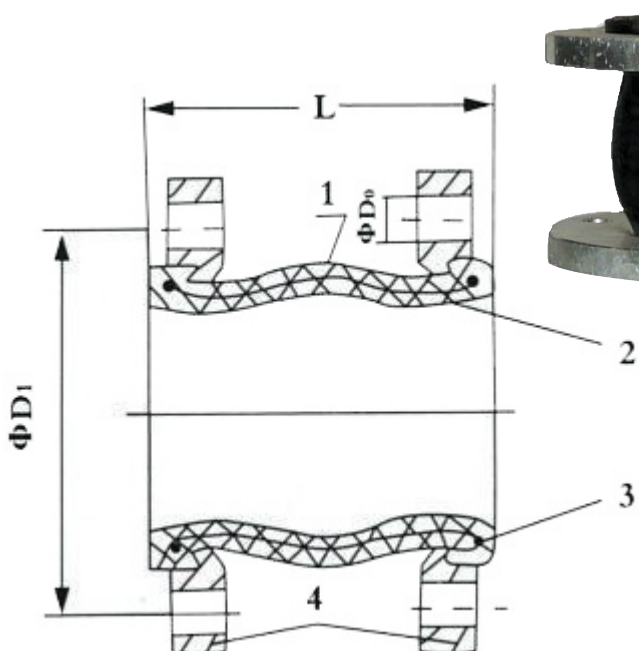
#### SERIES DSP // EPDM Double Arch Flexibles





# SERIES SSP : EPDM SINGLE ARCH FLEXIBLE

## ● SSP



NO.	PARTS	MATERIAL
1	Main Body	Polarized rubber
2	Lining	Nylon cord fabric
3	Frame	Hard steel wire
4	Flange	Mild Steel

Nominal core diameter	1 1/4" ~ 12"	14" ~ 20"
	31.75mm ~ 304.8mm	355.6mm ~ 508mm
Working pressure	214PSI - 1475.48kPa	114PSI - 786kPa
Bursting pressure	645PSI - 4447.12kPa	340PSI - 2344.22kPa
Vacuity	12.57PSI - 86.65kPa	7.73PSI - 53.33kPa
Applicable temp	-4~240°F // -20~116°C	
Applicable media	Air, Compressed air, Water, Sea water, Hot water, Weak acid, etc	

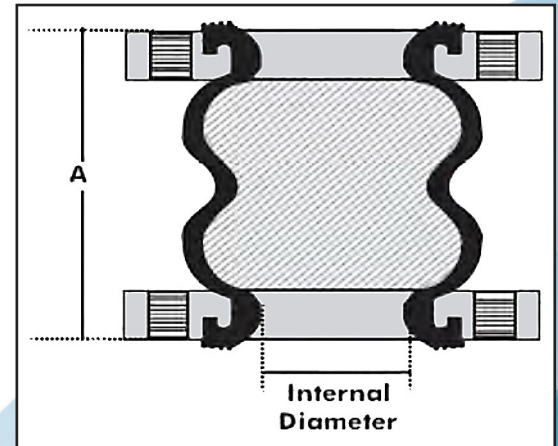
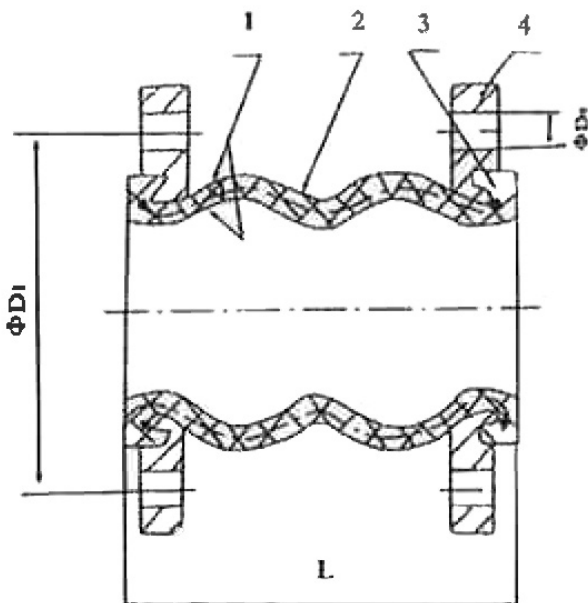
✓	MODELS	Nominal Core diameter		Length		No. of bolt	Diam. of bolt hole		Diameter of bolt hole Center circle		Axial displacement (IN/mm)		Lat. disp. IN/mm	Deg. °	Weight lbs/kg				
		IN	mm	IN	mm		IN	mm	IN	mm	Stretch	Compr.							
	SSP0250	2 1/2	63.5	6	152.4	4	3/4	19.05	5 1/2	139.7	1/2"	3/4	12.7	19.05	9/16	14.29	15°	13/5.8	
	SSP0300	3	76.2						6	152.4								14/6.3	
	SSP0400	4	101.6						7 1/2	190.5								18/8.1	
	SSP0500	5	127				7/8	22.23	8	8 1/2								215.9	21/9.5
	SSP0600	6	152.4							9 1/2								241.3	27/12.2
	SSP0800	8	203.2							11 1/4								285.75	37/16.7
	SSP1000	10	254	8	203.2	12	1	25.4	14 1/4	361.95	5/8"	1	25.4	7/8	22.23	15°	55/24.9		
	SSP1200	12	304.8						17	431.8							83/37.5		
	SSP1400	14	355.6				1 1/8	28.58	18 3/4	476.25							100/45.3		
	SSP1600	16	406.4						21 1/4	539.75							115/52		
	SSP1800	18	457.2			1 1/4	31.75	18	22 3/4	577.85							122/55.2		
	SSP2000	20	508						25	635							148/67		
	SSP2400	24	609.6						10 7/16	265.1							20	29 1/2	749.3

Dimensions not to be used for construction unless prints certified by factory. LARGER SIZE AVAILABLE UPON REQUEST\*

**Easy Installation:** The floating, metallic flanges rotate readily on the bellow compensating for mating flange rotational misalignment. Extra retaining rings or gasket are not required. The rigid metallic flange prevent seepage-sweeping. All flanges are drilled to #150 ASA standard drilling pattern (other drilling patterns available on demand) See chart for Flange/bolting dimensions. All face to face dimensions are shown from gasket to gasket (the gasket is an integral part of the joint).

**17** Go to [www.flofab.com](http://www.flofab.com) in Our Products Section to see the Master Spec - <http://www.arcomnet.com/masterspec/>

**● DSP**



NO.	PARTS	MATERIAL
1	Main Body	Polarized rubber
2	Lining	Nylon cord fabric
3	Frame	Hard steel wire
4	Flange	Mild Steel

<b>Working pressure</b>	214PSI - 1475.48kPa
<b>Bursting pressure</b>	645PSI - 4447.12kPa
<b>Vacuity</b>	12.57PSI - 86.65kPa
<b>Applicable temp</b>	-4~240°F // -20~116°C
<b>Applicable media</b>	Air, Compressed air, Water, Sea water, Hot water, Weak acid, etc

√	MODELS	Nominal Core diameter		Length		No. of bolt N	Diam. of bolt hole		Diameter of bolt hole Center circle		Axial displacement (IN/mm)		Lat. disp. IN/mm	Deg. °	Weight lbs/kg		
		IN	mm	IN	mm		IN	mm	IN	mm	Stretch	Compr.					
	DSP0250	2 1/2	63.5	7	177.8	4	3/4	19.05	5 1/2	139.7	1 3/16	30.16	1 7/8	47.63	40°	13/5.8	
	DSP0300	3	76.2						6	152.4							15/6.7
	DSP0400	4	101.6	9	228.6	8	7/8	22.23	7 1/2	190.5	1 3/8	34.93	1 5/8	41.28	35°	20/9	
	DSP0500	5	127						8 1/2	215.9							26/11.7
	DSP0600	6	152.4						9 1/2	241.3							30/13.5
	DSP0800	8	203.2						11 1/4	285.75							46/20.8
	DSP1000	10	254	13	330.2	12	1	25.4	14 1/4	361.95	2 1/2	63.5	1 3/8	34.93	30°	63/28.5	
	DSP1200	12	304.8						17	431.8						115/52	
	DSP1400	14	350						1 1/8	28.58						18 3/4	476.25

Dimensions not to be used for construction unless prints certified by factory.  
Dimensions are subject to change without prior notice.

LARGER SIZE AVAILABLE UPON REQUEST\*

**Easy Installation:** The floating, metallic flanges rotate readily on the bellow compensating for mating flange rotational misalignment. Extra retaining rings or gasket are not required. The rigid metallic flange prevent see-page-sweeping. All flanges are drilled to #150 ASA standard drilling pattern (other drilling patterns available on demand) See chart for Flange/bolting dimensions. All face to face dimensions are shown from gasket to gasket (the gasket is an integral part of the joint).



# SERIES LCTY & LYF : THREADED Y STRAINER

## ● LCTY & LYF

(See chart on page 20)



**Body:** ASTM A126 Class B Cast Iron

**Rating/Steam:**

- 250 PSI (1723.69kPa) at 406°F (207.7B°C)
- 400 PSI (2757.90 kPa) at 150°F (65.56°C)

**Standard Screens:**

Diameter from 1/2" to 2" (15mm to 50mm),  
Opening 1/32" (0.8mm)  
STD. Mesh/Perf: 20 Mesh

**SERIES LCTY // Threaded cast iron Y-strainers**

(See chart on page 21)



**Body:** ASTM A126 Class B Cast Iron

**Rating/Steam:**

- 250 PSI (1723.69kPa) at 406°F (207.7B°C)
- 400 PSI (2757.90 kPa) at 150°F (65.56°C)

STANDARD SCREENS (IN/mm)		
Size	Opening	Std: Mesh/Perf
2"-3" 50.8-76.2	0.045" 1.14	3/64" 1.19
4"-12" 101.6-304.8	0.125" 3.18	1/8" 3.18

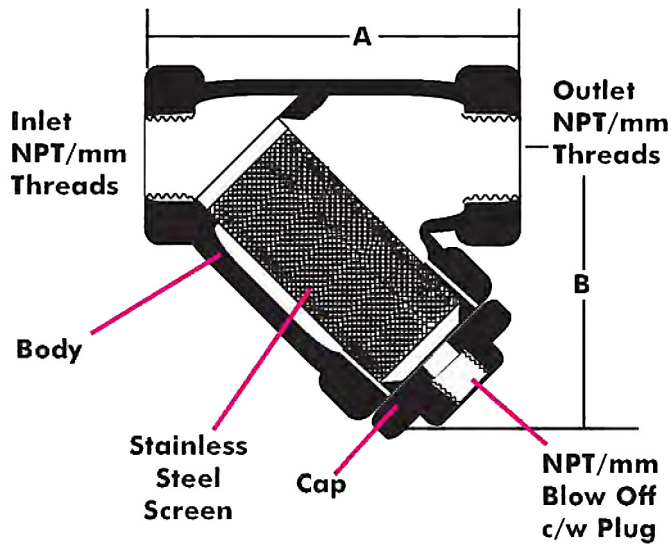
**SERIES LYF // Cast Iron flanged Y type strainer**





# SERIES LCTY : THREADED Y STRAINER

## LCTY



✓	MODELS	Diameter	A	B	Blow Off	Weight
	<b>LCTY0050</b>	1/2" 15mm	3" 76.2mm	2 1/2" 63.5mm	3/8" NPT 10.16mm	1.76 lbs 0.8 kg
	<b>LCTY0075</b>	3/4" 20mm	4" 101.6mm	2 3/4" 69.5 mm	1/2" NPT 12.7 mm	2.65 lbs 1.2 kg
	<b>LCTY0100</b>	1" 25mm	4 9/16" 115.89mm	3 1/2" 88.9mm		3.97 lbs 1.8 kg
	<b>LCTY0125</b>	1 1/4" 32mm	5 1/4" 133.35mm	4" 101.6mm	3/4" NPT 19.05 mm	7.06 lbs 3.2 kg
	<b>LCTY0150</b>	1 1/2" 40mm	6 1/8" 155.58mm	4 5/8" 115.57mm		8.38 lbs 3.8 kg
	<b>LCTY0200</b>	2" 50mm	7 3/8" 187.33mm	5 1/2" 139.7mm	1" NPT 25.4 mm	13 lbs 5.9 kg

Dimensions not to be used for construction unless prints certified by factory.  
Dimensions are subject to change without prior notice.

LARGER SIZE AVAILABLE UPON REQUEST\*





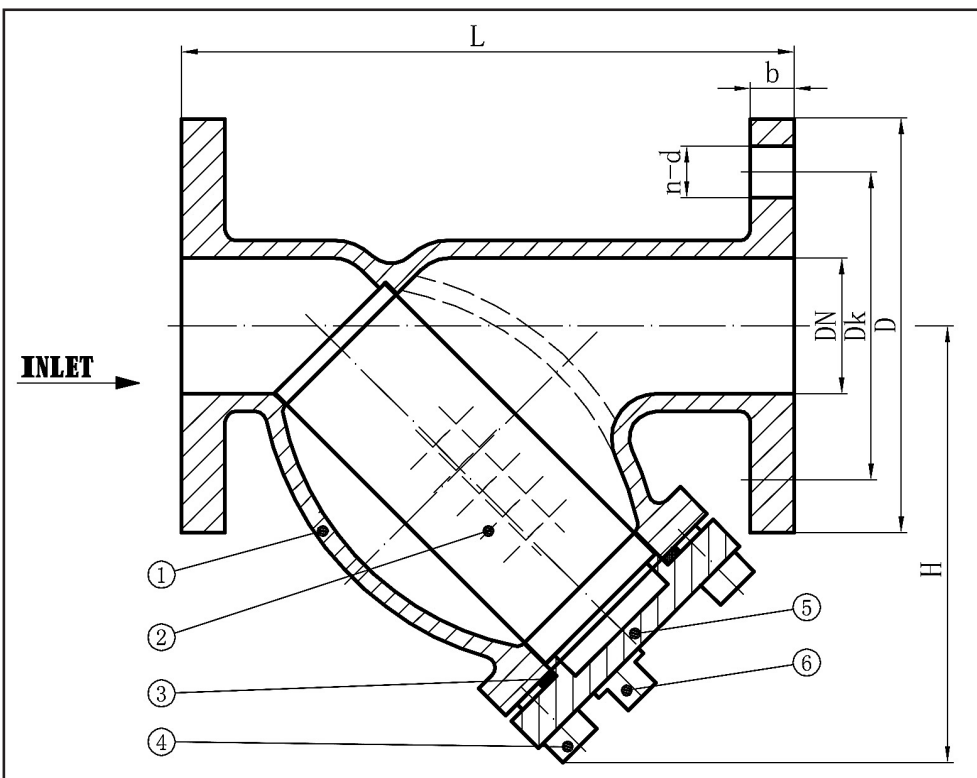
# SERIES LYF : FLANGES Y STRAINERS

STANDARD SCREENS (IN/mm)		
Size	Opening	Std: Mesh/Perf
2"-3" 50.8-76.2	0.045" 1.14	3/64" 1.19
4"-12" 101.6-304.8	0.125" 3.18	1/8" 3.18

NO.	PARTS	MATERIAL
1	Body	Cast Iron
2	Screen	Stainless Steel
3	Body Gasket	PTFE/Graphite
4	Bolts	Steel
5	Cover	Cast Iron
6	Plug	Cast Iron

NO.	PARTS	USA Standard
1	Body	ASTM A 126 Class B
2	Screen	ASTM SS 304
3	Body Gasket	PTFE/NON ASBESTOS
4	Bolts	ASTM A307 B
5	Cover	ASTM A126 Class B
6	Plug	ASTM A 126 Class B

OPERATING PRESSURE AND TEMPERATURE	
2"-12" 50.8 - 304.8mm	Steam: 150PSIG at 450°F
14" 355.6mm	Steam: 150PSIG at 450°F
2"-12" 50.8 - 304.8mm	Water, Oil, Gas: 150 PSIG at 450°F
14" 355.6mm	Water, Oil, Gas: 150 PSIG at 450°F



√	DIMENSIONS IN INCHES								WT.
	MODEL	DN	L	Dk	D	b	n-d	H	(kg)
	LFY0200	2	8.87	4.76	5.98	0.63	4-.75	6.34	10
	LFY0250	2.5	10.75	5.51	7.01	0.69		7.20	15.9
	LFY0300	3	11.50	6.00	7.48	0.75		8.62	23.6
	LFY0400	4	13.86	7.50	9.02	0.94	8-.75	9.37	34.1
	LFY0500	5	16.38	8.50	10.00	0.94	8-.87	10.24	52.2
	LFY0600	6	18.50	9.50	10.98	1.00		12.40	69.9
	LFY0800	8	21.38	11.75	13.50	1.13	12-.98	15.75	110.3
	LFY01000	10	26.00	14.25	15.98	1.19		18.98	185.2
	LFY01200	12	30.00	17.01	19.02	1.25		20.87	295.1
	LFY1400	14	37.36	18.74	20.98	1.38	12-1.14	24.80	370.5
	LFY1600	16	42.50	21.26	23.50	1.44	16-1.14	25.59	556.6
	LFY1800	18	47.24	22.76	25.00	1.56	16-1.26	37.68	-

√	DIMENSIONS IN MILLIMETERS								WT.
	MODEL	DN	L	Dk	D	b	n-d	H	(lbs)
	LFY0200	50.8	225.4	121	152	16	4-19	161	22
	LFY0250	63.5	273	140	178	17.5		183	35
	LFY0300	76.2	292	152.5	190	19		219	52
	LFY0400	101.6	352	190.5	229	24	8-19	238	75
	LFY0500	127	416	216	254	24	8-22	260	115
	LFY0600	152.4	470	241.3	279	25.4		315	154
	LFY0800	203.2	543	298.5	343	28.6	12-25	400	243
	LFY01000	254	660.4	362	406	30.2		482	408
	LFY01200	304.8	762	432	483	31.8		530	650
	LFY1400	355.6	949	476	533	35	12-29	630	816
	LFY1600	406.4	1079.5	540	597	36.6	16-29	650	1226
	LFY1800	457.2	1200	578	635	39.6	16-32	957	-



● LYF



## SERIES SBS/DBS : FLANGED BASKET STRAINERS

### ● SBS & DBS

(See chart on page 23)



**Body:** ASTM A126 Class B Cast Iron

**Rating/Steam:**

2" to 12" : 150 PSI (1034.21 kPa) or 450°F (232.22°C)

14" to 16" : 150 PSI (1034.21 kPa) at 250°F (121.11°C)

**Water, Oil or Gas:**

2" to 12" : 200 PSI (1378.95 kPa) at 150°F (65.55°C)

14" to 16" : 150 PSI (1034.21 kPa) at 150°F (65.55°C)

**Standard Screens:**

Diameters from 2" to 12" (50mm to 300mm)

Opening 1/16" (1.2mm)

STD. Mesh/Perf: 3/64" perf. (1.2mm)

Diameters from 14" to 16" (350mm to 400mm)

Opening 1/8" (3.18mm)

STD. Mesh/Perf: 1/8" perf. (3.18mm)

#### SERIES SBS // Threaded cast iron Y-strainers

(See chart on page 24)



**Body:** ASTM A126 Class B Cast Iron (Bronze also available)

**Rating: Threaded(T)**

Clamped Cover: 150 PSI (1034.21 kPa) at 250°F (121.11°C)

Bolted Cover: 400 PSI (2757.90 kPa) at 100°F (37.78°C)

**Flanged**

Clamped Cover: 150 PSI (1034.21 kPa) at 250°F (121.11°C)

Bolted Cover: 175 PSI (1206.58 kPa) at 250°F (121.11°C)

**Standard Screens:**

Diameters from 2" to 12" (50mm to 300mm)

Opening 1/16" (1.2mm)

STD. Mesh/Perf: 3/64" perf. (1.2mm)

Diameters from 14" to 16" (350mm to 400mm)

Opening 1/8" (3.18mm)

STD. Mesh/Perf: 1/8" perf. (3.18mm)

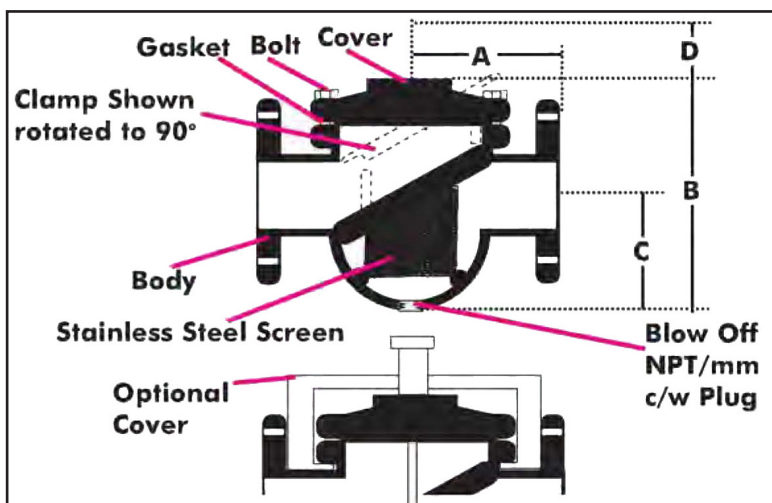
#### SERIES DBS // Cast iron threaded basket strainers





# SERIES SBS : SIMPLEX BASKET STRAINERS

● **SBS**



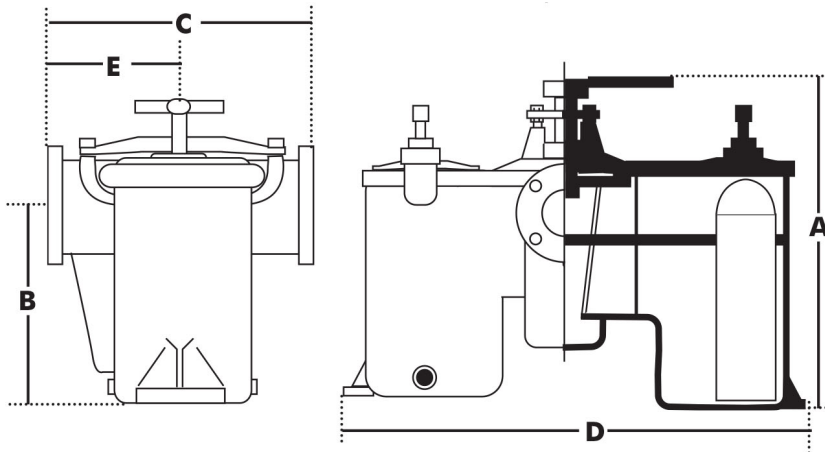
✓	DIMENSIONS (IN/mm)						
MODELS	DIAM.	A	B	C	D	Blow off	Weight
<b>SBS0200</b>	2 50.8	8 1/2 215.90	8 3/8 212.73	5 127.00	5 3/8 136.53	1" NPT 25.4mm	22 lbs 10 kg
<b>SBS0250</b>	2.5 63.5	8 3/4 222.25	9 5/8 244.48	5 5/16 134.94	6 5/16 160.34		31 lbs 14.06 kg
<b>SBS0300</b>	3 76.2	9 7/8 250.83	11 1/4 285.75	6 1/2 165.10	8 203.20		42 lbs 19.05 kg
<b>SBS0400</b>	4 101.6	11 1/2 292.10	13 1/2 342.90	8 203.20	9 5/16 236.54		70 lbs 31.75 kg
<b>SBS0500</b>	5 127	13 1/8 333.38	14 5/8 371.48	8 203.20	10 1/4 260.35		90 lbs 40.82 kg
<b>SBS0600</b>	6 152.4	14 7/8 377.83	15 5/8 396.88	8 5/8 219.08	11 1/8 282.58	1 1/4" NPT 31.75mm	124 lbs 56.25 kg
<b>SBS0800</b>	8 203.2	18 2/3 474.66	21 533.40	11 3/4 298.45	15 9/16 395.29	3/4" NPT 19.05mm	270 lbs 122.47 kg
<b>SBS1000</b>	10 254	20 1/8 511.18	24 1/2 622.30	13 3/4 349.25	18 457.20	1" NPT 25.4mm	384 lbs 174.18 kg
<b>SBS1200</b>	12 304.8	26 1/4 666.75	29 3/4 755.65	16 3/8 415.93	23 1/4 590.55	1 1/2" NPT 25.4mm	670 lbs 303.91 kg
<b>SBS1400</b>	14 355.6	30 1/4 768.35	36 3/8 923.93	23 1/4 590.55	28 1/8 714.38	N/A	1010 lbs 458.13 kg
<b>SBS1600</b>	16 406.4	31 4/9 798.51	43 1/4 1098.55	29 1/2 749.30	2" NPT 50.8mm		1320 lbs 598.74 kg
<b>SBS1800</b>	18 457.2	34 863.60	52 1/4 1327.15	36 914.40			1916 lbs 869.08 kg
<b>SBS2000</b>	20 508	36 5/8 930.28	57 7/8 1470.03	40 7/8 1038.23			2460 lbs 1115.8 kg
<b>SBS2400</b>	24 609.6	41 1/2 1054.10	65 3/8 1660.53	46 1/4 1174.75			4550 lbs 2063.8 kg
<b>SBS2800</b>	28 700	N/A	N/A	N/A		N/A	N/A
<b>SBS3200</b>	32 800	N/A	N/A	N/A	N/A	N/A	N/A





## SERIES DBS : DUPLEX BASKET STRAINERS

### DBS



✓	DIMENSIONS (IN/mm) - THREADED								
	MODELS	DIAM. NPT	A	B	C	D	E	F	Weight
	DBS0075T	3/4" 20	12 1/4"	5 5/8"	6 3/4"	14 1/2"	3 5/8"	1/4"	43 lbs 19.5 kg
	DBS0100T	1" 25	311.15	140.97	171.45	368.3	90.17	6.35	
	DBS0125T	1 1/4" 32	13 1/4"	6 3/4"	7 5/8"	15 1/4"	3 7/8"	3/8"	56 lbs 25.4 kg
	DBS0150T	1 1/2" 40	336.55	171.45	191.77	387.35	96.52	10.16	
	DBS0200T	2" 50	14 3/4"	7 7/8"	10 5/8"	20 1/2"	5 9/16"	3/4"	115 lbs 52.2 kg
	DBS0250T	2 1/2	N/A	N/A	N/A	N/A	N/A	N/A	N/A
	DBS0300T	3	N/A	N/A	N/A	N/A	N/A	N/A	N/A

✓	DIMENSIONS (IN/mm) - FLANGED								
	MODELS	DIAM. Flanged	A	B	C	D	E	F	Weight
	DBS0250	2 1/2" 65	14 3/4"	7 7/8"	12"	20 1/2"	6 7/32"	3/4" 19.05 mm	115 lbs 52.2kg
	DBS0300	3" 80	17 5/8"	10 3/4"	12 1/2"	20 3/4"	6 7/8"		141 lbs 63.96kg
	DBS0400	4" 100	20 11/16"	13 1/32"	15 5/8"	25 1/4"	8 15/16"		305 lbs 138.35kg

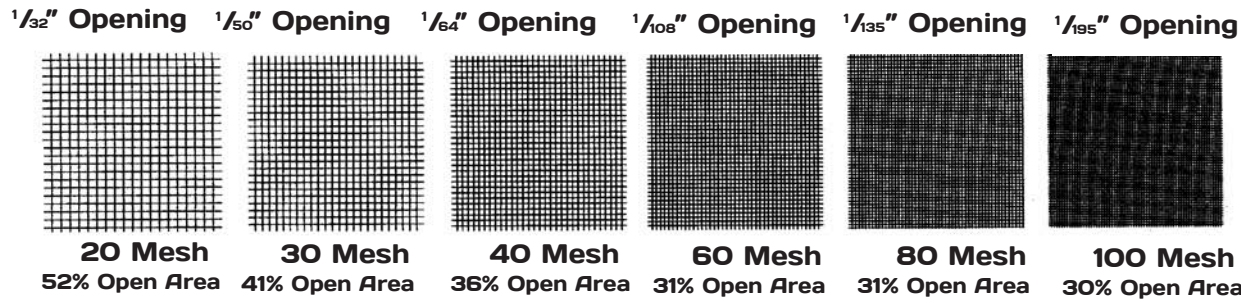




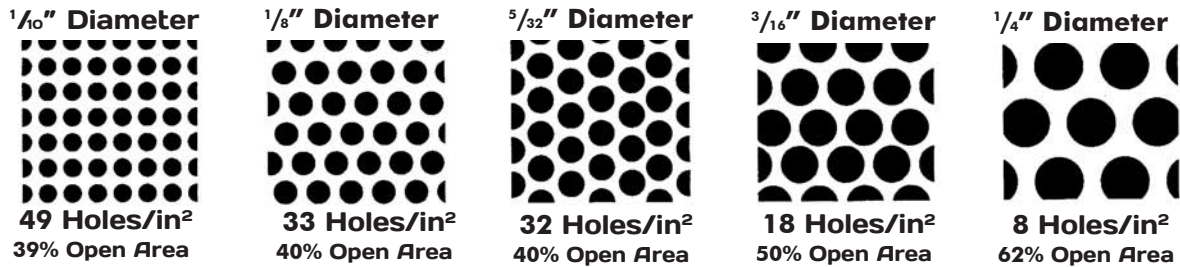
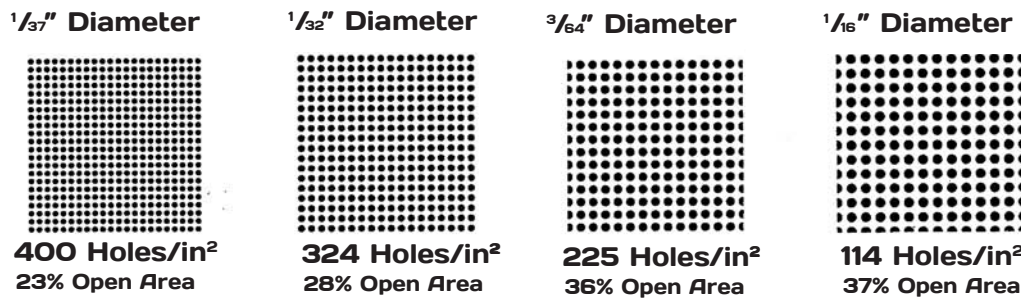
# SERIES SBS/DBS : FLANGED BASKET STRAINERS

## ● Replacement Screen & Basket

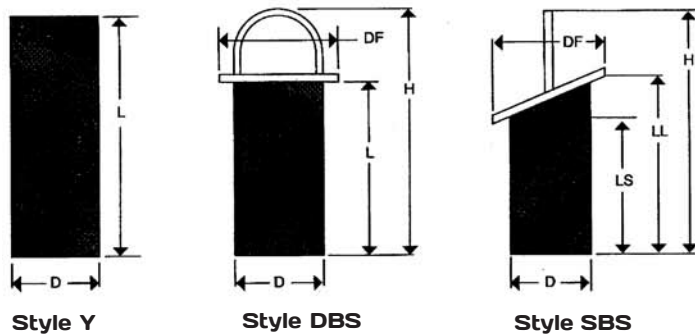
Mesh Sizes other than shown  
are also available on application



Perforations other than shown are also available (All open area are approximative)



### Perforated Metal and Mesh Available



Specify:

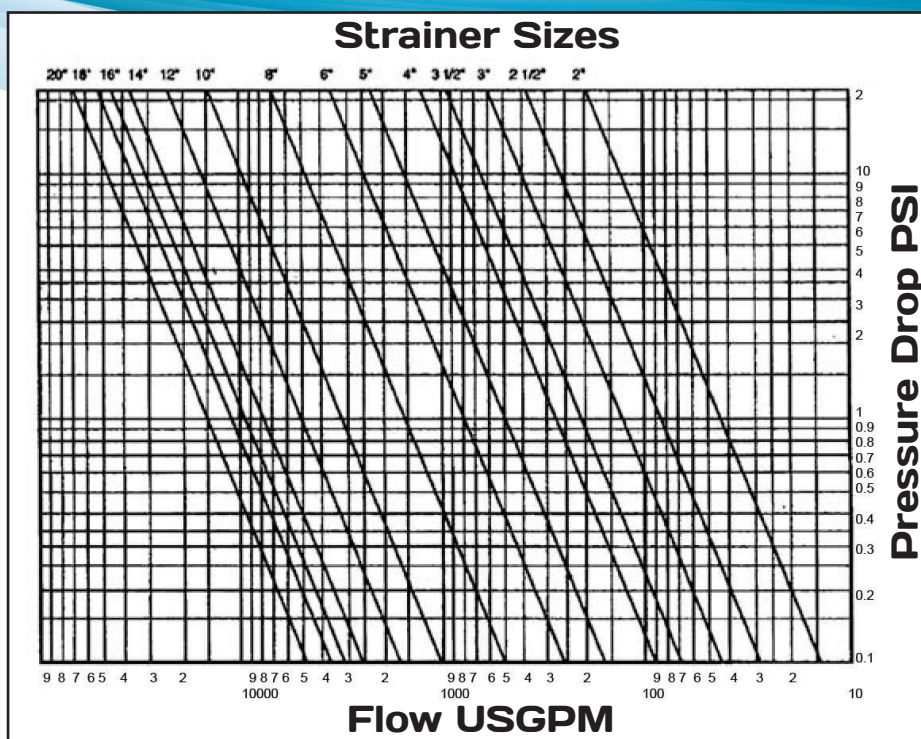
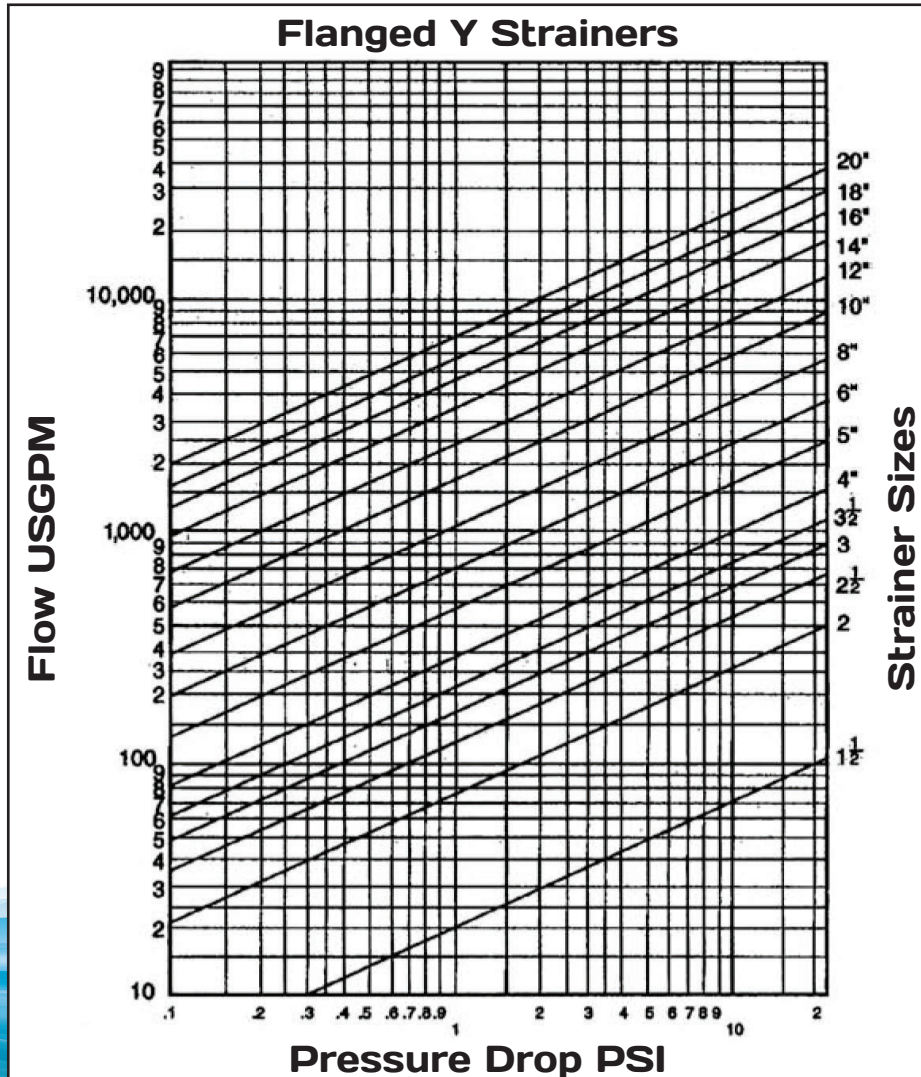
- 1) The Style: Y-Y Strainer  
DBS - Duplex Basket Strainer  
SBS - Simplex Basket Strainer
- 2) Perforation and Mesh  
(if liner is required)
- 3) Material (Stainless Steel is standard)
- 4) All lettered dimensions shown on the drawings (D,L,H,DF,LS,LL)





# SERIES SBS/DBS : FLANGED BASKET STRAINERS

## ● Strainers Pressure Drop Curves



Go to [www.flofab.com](http://www.flofab.com) in Our Products Section to see the Master Spec - <http://www.arcomnet.com/masterspec/> **26**





## SERIES MV/AA : AIR VENT & TEMP. PORTS

### ● Air Vents & Temperature Ports

(See chart on page 28)



Materials : Cast Iron  
Pressure : 150 PSIG at 200°F  
1034 kPa at 93°C  
Size Range : 1/8" and 1/4"  
Connections : Threaded

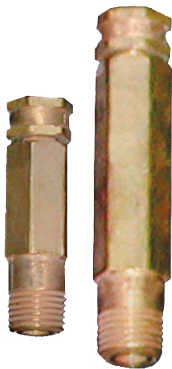
**SERIES AA // Air Vent**

(See chart on page 30)



Materials : Brass  
Pressure : MV15 150 PSIG at 345°F  
1034 kPa at 174°C  
MV15 300 PSIG at 400°F  
2068 kPa at 204°C  
Size Range : 3/4"

**SERIES MV // Air Vent**



Materials : Bronze  
Pressure : 1000 PSIG at 140°F  
6895 kPa at 60°C  
Size Range : 1/4"  
Connections : SS2501 : Threaded  
SS2511 : Threaded Extended

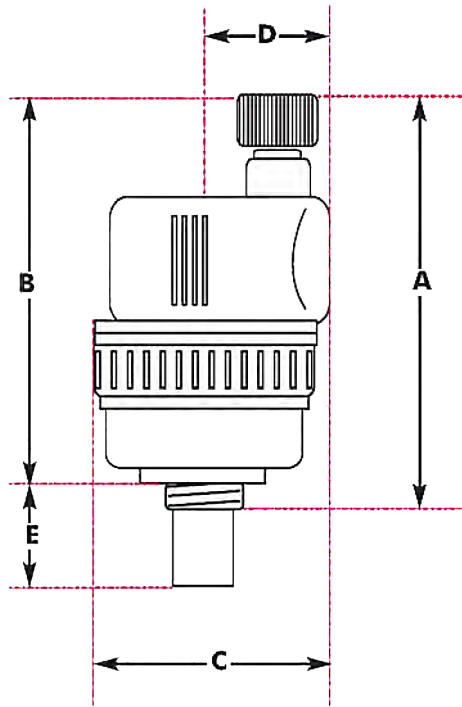
**Pressure and/or temperature ports**





## SERIES AA : AIR VENT

### ● Air Vent Series AA



#### Features

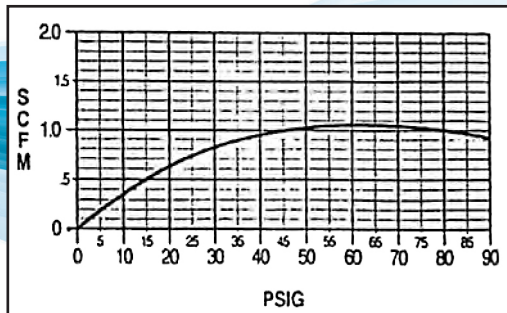
The FLO FAB Automatic Air Vent series AA is designed for continuous air venting in hot and chilled water systems. When used to protect coils, it is best located on the supply side of the coil to prevent air from entering the coil and requiring a service call to vent the air. The unit is best located where pipe velocities are reduced. An ideal location is directly in the body of a «Y» Strainer. The strainer screen breaks and collects bubbles which are vented by

#### Specifications

**Float Material:** Polypropylene

**Cap Material:** Nylon

**Body Material:** Brass



#### Notes

- 1) For continuous air venting, cap should remain open one full turn.
- 2) The «Y» Strainer should always be equipped with a blow-down valve.

✓	Nominal Dimensions						
MODELS	Diameter	A	B	C	D	E	Weight
AA-1/8	1/8"	2 15/16"	2 5/8"	1 5/8"	13/16"	5/16"	0.4 lbs
	3mm	75mm	67mm			7.9mm	0.18 kg
AA-1/4	1/4"	3 1/8"	2 5/8"	41mm	21mm	1/8"	0.43 lbs
	8mm	79mm	67 mm			3.1mm	0.20 kg

Dimensions not to be used for construction unless prints certified by factory.  
Dimensions are subject to change without prior notice.

LARGER SIZE AVAILABLE UPON REQUEST\*



## ● Air Vent Series AA

**Figure 1** Shows the installation of the AA for the venting of air while the fluid is circulating in the system. The Figure shows the required increase in pipe size in order to obtain proper separation of air from water. FLO FAB's series AS Air Scoop which is designed for efficient separation of air from water in hydronic heating systems can also be installed.

When the AA is installed as shown in **Figure 2**, the air will not be vented while the Fluid is circulating in the system, but it can vent when the system is shut off.

The AA should be mounted vertically as its operation is based on the vertical movement of the float. See **Figure 3**

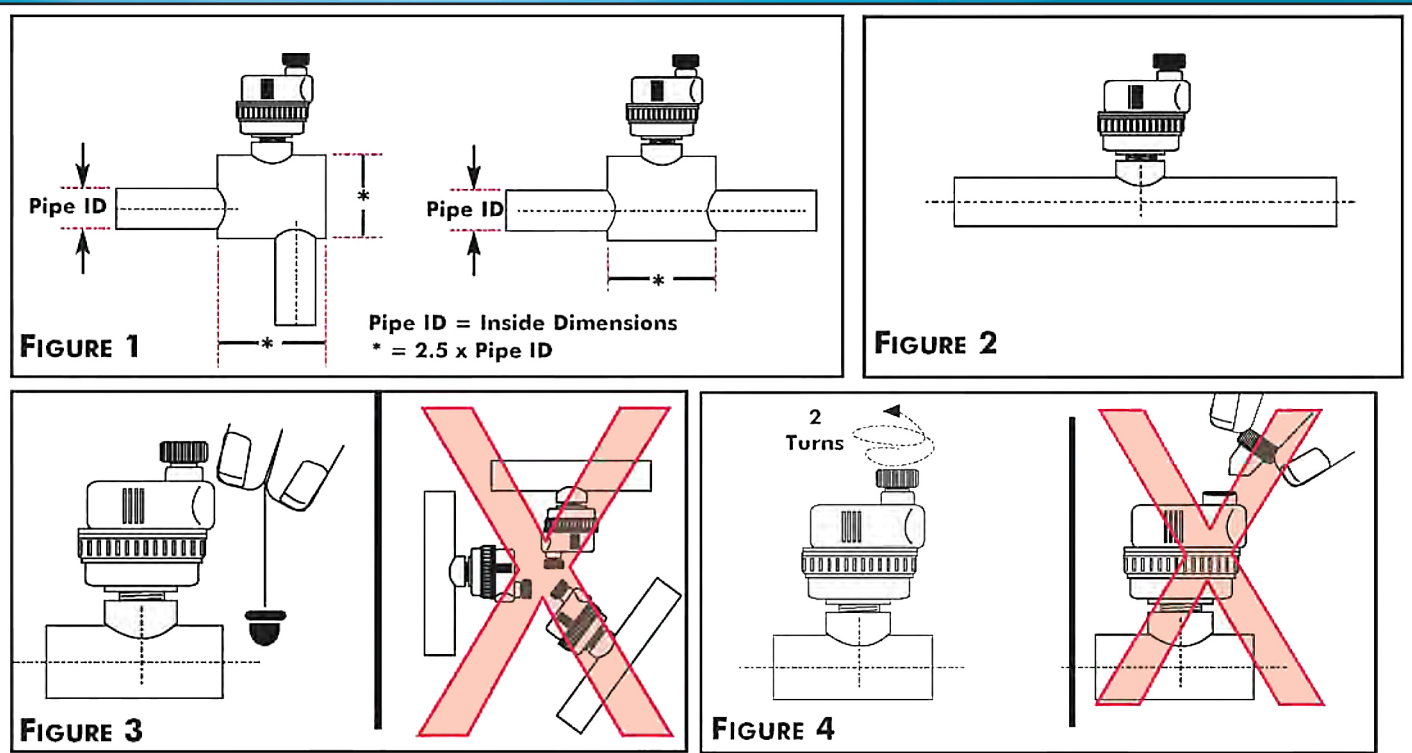
**Note:** In order to get best results in venting air from risers, use connecting pipes of at least 1/2" diameter between the float vent valves and the installation.

### MAINTENANCE

No maintenance is normally required. However, if the AA is disassembled for inspection or cleaning, it is important that when re-assembling to ensure that the spring loaded lever properly engages under the float collar.

### OPERATION

After installing the AA, back off the small vent cap two turns, as shown on **Figure 4**. This is the proper operating setting which allow air to be vented from the system. It is advisable not to take off the cap to prevent impurities from entering the valve.

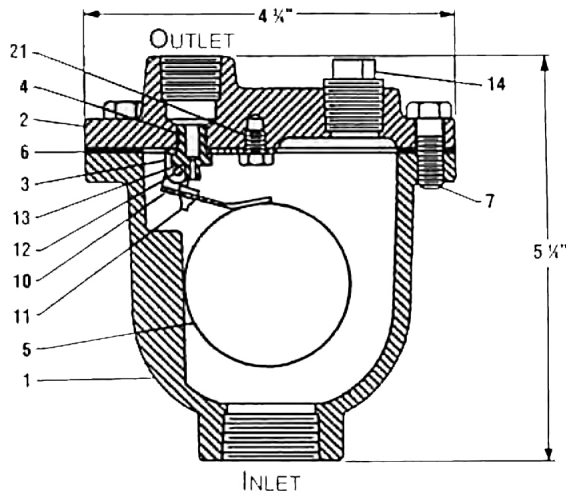




## SERIES MV : AIR VENT

### ● Air Vent Series MV

#### Features



The FLO FAB Automatic Air Vent series MV features a stainless steel spherical float design. The air in the piping system is vented through the discharge valve which is normally open. The rising water activates the float to close the valve. The valve outlet is tapped to be hooked to the safety drain line.

The simplicity of design of the FLO FAB Series MV assures long-lasting efficiency. The stainless steel float and valve mechanism involve no wearing parts, no intricate function. The precision custom fit cast iron body, float and valve, protectively houses their operation under the most rugged conditions.

- 1) Rugged cast iron body and cover
- 2) Stainless steel float and trim
- 3) Spherical float for strenght
- 4) Special design eliminates blow-by
- 5) Tapped to take safety drain line
- 6) Two sizes suit all riser systems

NO.	PARTS	Standard Materials
1	Body	Cast Iron ASTM A126 Class B
2	Cover	Cast Iron ASTM A126 Class B
3	Lever Frame	Stainless Steel T304 ASTM A240
4	Seat	Stainless Steel T303 ASTM A276
5	Float	Stainless Steel T304 ASTM A240
6	Gasket	Garlock #3000 (Non-Asbestos)
7	Cover Bolt	Bolt Alloy Steel SAE Grade 5
10	Float Arm	Stainless Steel T304 ASTM A240
11	Orifice Button	Button Viton
12	Pivot Pin	Stainless Steel T303 ASTM A276
13	Pin Retainer	Stainless Steel PH 15-7 MO
14	Pipe Plug	Malleable Iron
21	Locator	Stainless Steel T18-8 ASTM A276

✓	Nominal Dimensions								Weight
MODELS	MAX. Pressure	MAX. Temperature	Inlet Size	Outlet Size	Valve Orifice	Height	Width	Length	(kg/lbs) approx.
<b>MV15075</b>	150PSI 1034kPa	345°F 184°C	3/4" 19.05mm	3/8" 10.16mm	1/16" 1.27mm	5 1/4" 133.35mm	4 1/2" 120.65mm	4 3/4" 120.65mm	2.27 kg 5 lbs
<b>MV30075</b>	300PSI 2068kPa	425°F 226°C		1/2" 13.54mm		6" 162.42mm	5 1/8" 138.73mm		2.27 kg 5 lbs

Dimensions not to be used for construction unless prints certified by factory.

Dimensions are subject to change without prior notice.

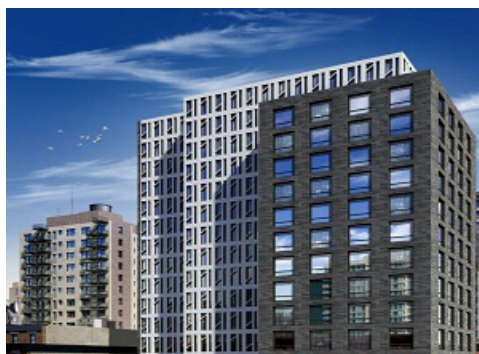
LARGER SIZE AVAILABLE UPON REQUEST\*

Go to [www.flofab.com](http://www.flofab.com) in Our Products Section to see the Master Spec - <http://www.arcomnet.com/masterspec/> **30**





We are proud supplier for the following completed and on going projects :



**444 10th Avenue North**  
New York, NY 10001.  
USA



**Edgemere**  
1502 Lakeshore Road E.,  
Oakville, Ontario, Canada



**51 Astor**  
25 Cooper St, New York,  
NY 10034, United States



**Tricentris, Lachute**  
Félix-Touchette Road,  
Lachute, Quebec, Canada

## Sales and Service:

Quebec, Canada  
Tel. : (450) 621-2995  
Fax : (450) 621-4995

Lake Worth  
Florida, USA  
33467-5749

Toronto, Canada  
Tel. : +1 (647) 544-2995

[www.flofab.com](http://www.flofab.com)

SERVICE 24/7 : [parts@flofab.com](mailto:parts@flofab.com)

