



PACKAGE CATALOG

Manufacturer of Pumps, Tanks, Heat Exchangers & Accessories

DOMESTIC PUMP SYSTEM

HYDRONIC COOLING PUMP SYSTEM

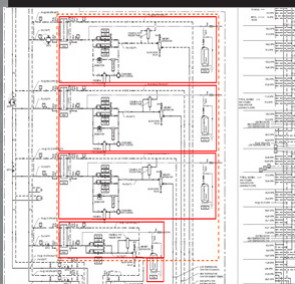
HYDRONIC HEATING PUMP SYSTEM



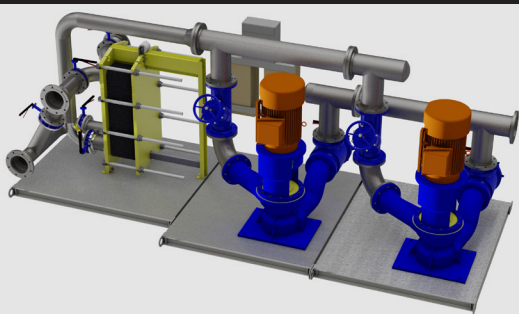
Production:



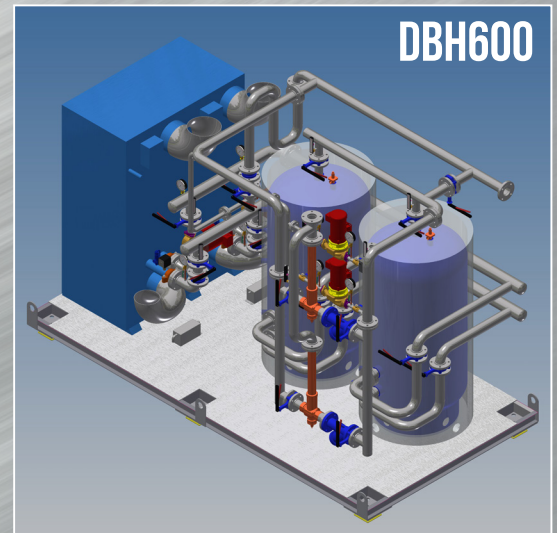
Mechanical Room PID:



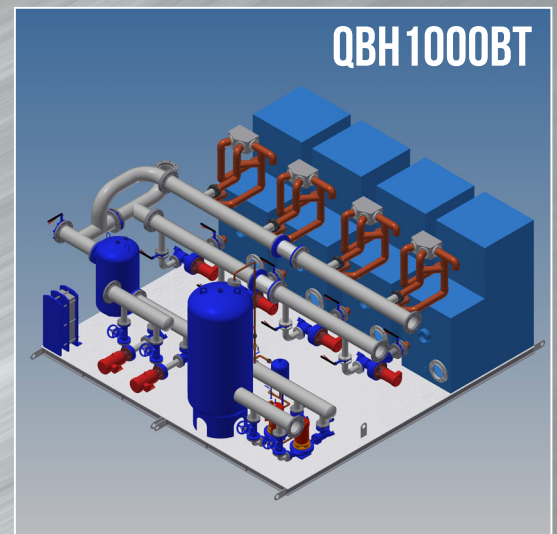
PreFab Skids Package:



DBH600



QBH1000BT



Quotation Requirements for Skid Package



What we need ?

- 1.1 System PID
- 1.2 Pumps, Tanks and Heat Exchangers Schedule
- 1.3 Cut sheets for non Flo Fab parts like
ex. Boilers, Chillers, etc...
- 1.4 Skids footprint
- 1.5 Mechanical room footprint
- 1.6 Details sequence of control

Quality Control

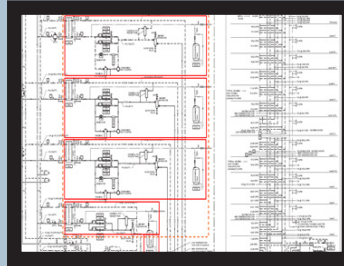
All pumps are factory tested and certified performance test is available when requested by the consultant. Test facilities up to 400 HP with 27,000 gallons test bench with calibrated instruments.



Skid Advantages

- Solution for both : New construction and Retrofit.
- Easily add more modules for future expansion.
- One single point of Responsibility / Contact .
- One single submittal for approval Vs. Individual submittals for each component.
- Financial : Cost reduction, Effectively reduce total cost of ownership for all project stakeholders (Contractor / Consultant Engineer / End User)
- Financial : Space saving due to optimized space utilisation.
- Financial : Time (Cost) saving : Skid built in parallel during building construction, also .
- Financial : Cash flow management: One single invoice / payment for all works
- Financial : Overhead saving including project management, logistical

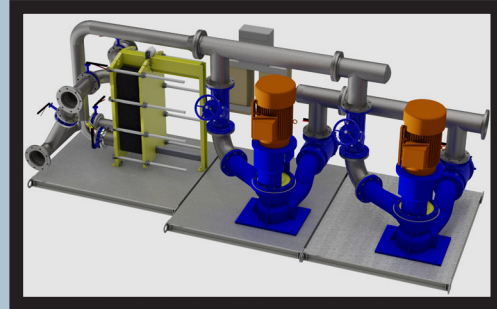
PID:



Production:



Package:



2.1 Heating and Cooling Systems

2.2 Module HC will be composed of two pumps, control panel VFD, expansion tank, air separator, chemical pot Feeder, and glycol fill system (optional), balancing valves, isolation valves, air vents and drain connections, multifunction valves, suction diffusers or Y strainers, interconnecting black steel schedule 40 piping. All package components are mounted on a structural steel base with lifting lugs.

SPECS example :

Product	Product Type	Section(s)	Date Submitted	Status	
XRI	Separately Coupled, Horizontally Mounted, In-Line Centrifugal Pumps	232123-HYDRONIC PUMPS	1/5/2016	Submitted	View Details
880RI	Separately Coupled, Vertically Mounted, In-Line Centrifugal Pumps	232123-HYDRONIC PUMPS	1/5/2016	Submitted	View Details
2000	Separately Coupled, Base-Mounted, End-Suction Centrifugal Pumps	232123-HYDRONIC PUMPS	1/5/2016	Submitted	View Details

coordination, insurance expense, ...etc.

- Financial : No surplus or extra components left after fabrication by contractor.
- Time (Cost) saving : No construction delay due to missing one single component order, wrong delivery or defective component.
- Quality: Assembly within controlled environment by certified technicians / welders using approved work methods / procedures.
- Quality / Financial : Factory wired and tested = site plug & play
- Safety: Avoid unpleasant site safety incidents and lost days as we tremendously minimize job site man-hours.

Traditional Method

Prefab Method Prefab Site



**Better
Quality**



Safety



**Production
Efficiency**



**Controlled
Environment**



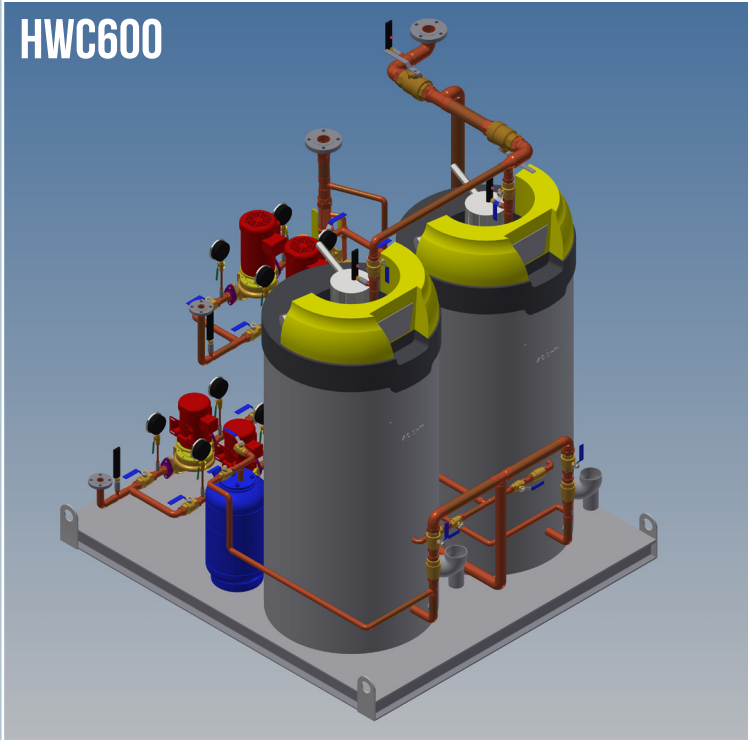
**Smoother
Process**

**Under a
Roof**



**Less Cost
Involved**

HWC600



DOMESTIC HOT WATER TECHNICAL DATA

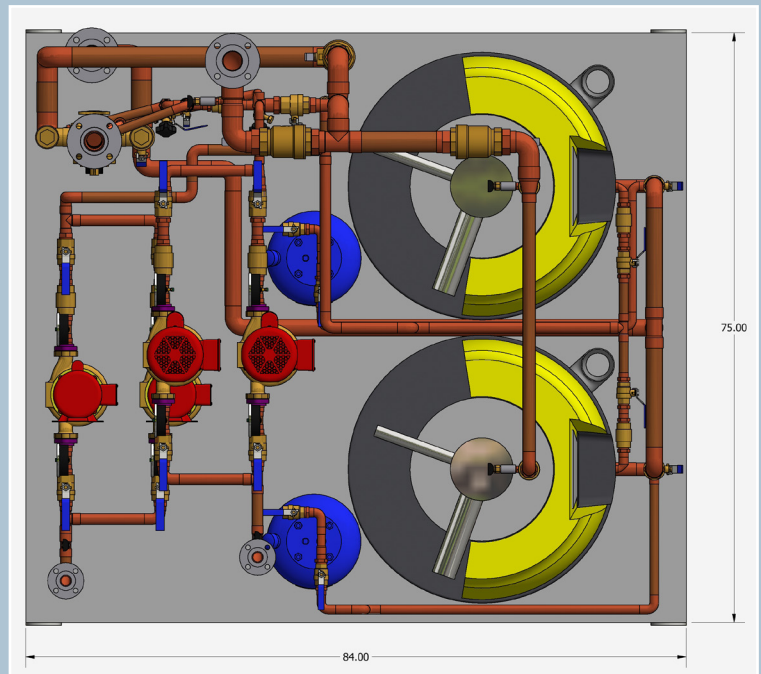
Two Water Gas Heaters

Capacity
119 GAL.

Input
500 KBTU/hr
(each)

Quadruplex Pump
Model 600

Mixing Valves

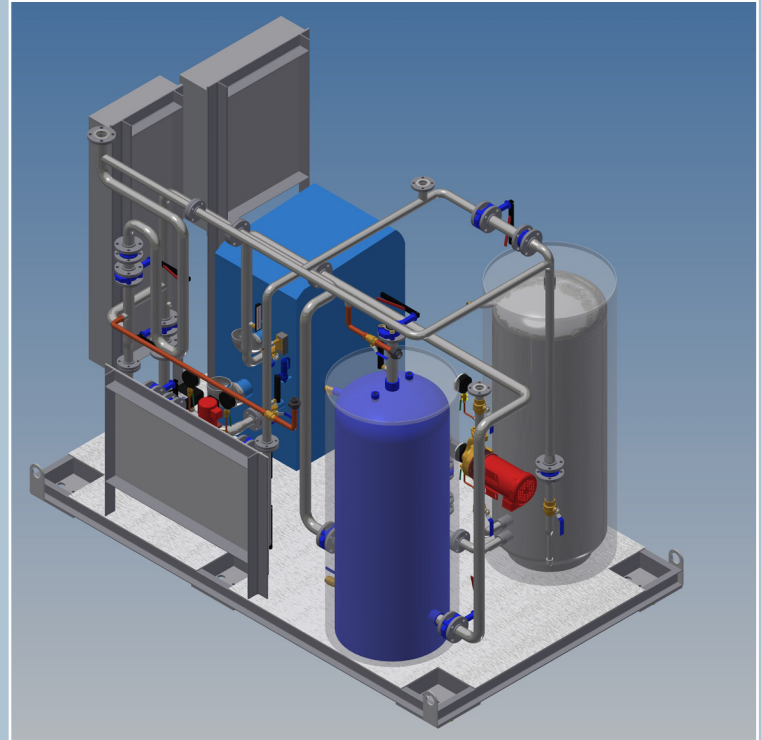
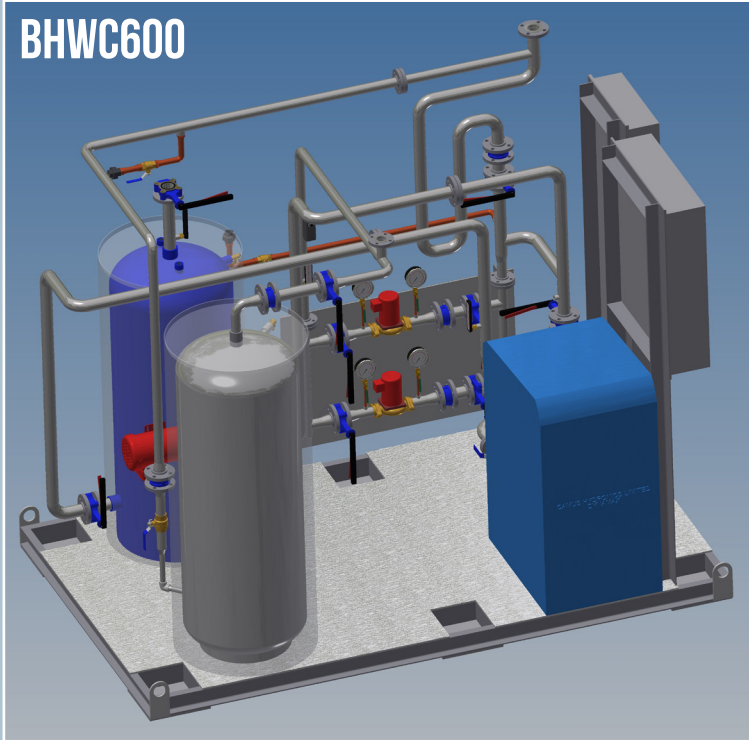


DESIGNED WITH :



Other 3D files format available

BHWC600



DOMESTIC HOT WATER FOR A KITCHEN HOTEL

TECHNICAL DATA

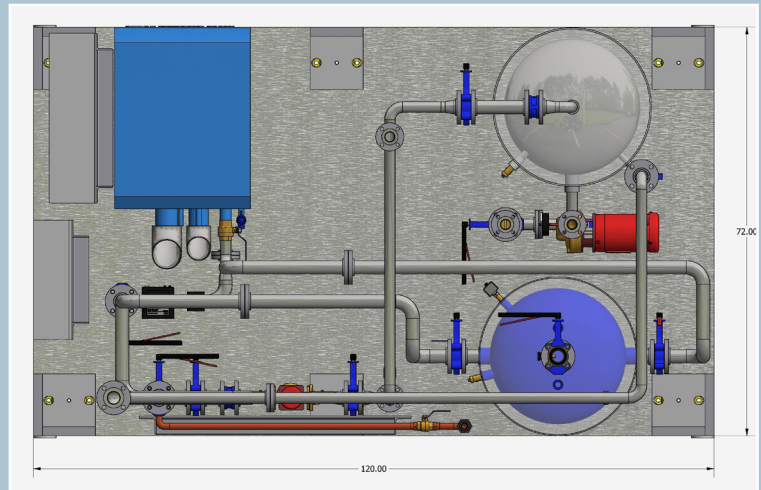
Heating Boiler

Output
470 MBTU/hr

Storage Tank
Capacity
120 GAL.

Circulating Pump
Model 600

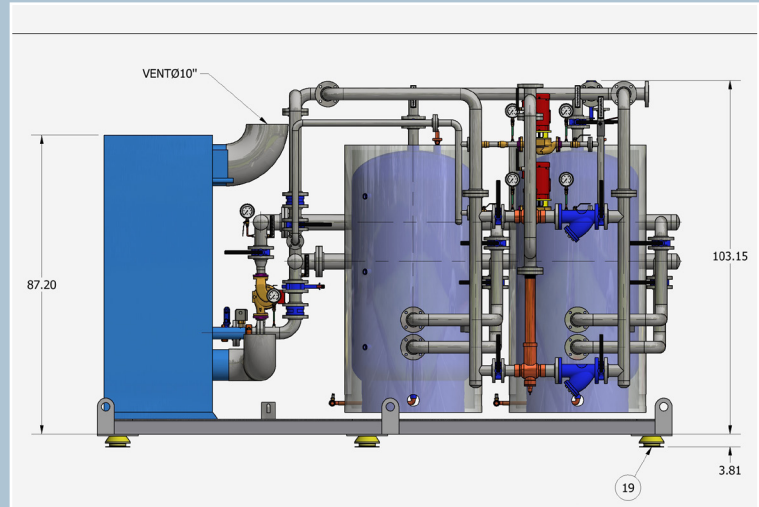
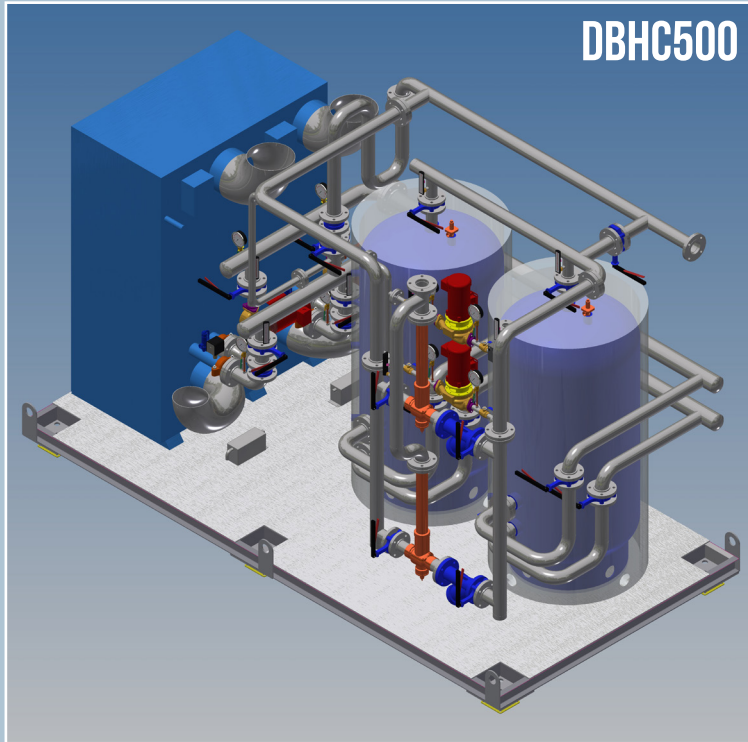
Heating Tank
for return water
Capacity
120 GAL



DESIGNED WITH :



Other 3D files format available



DOMESTIC HOT WATER SUPPLY TECHNICAL DATA

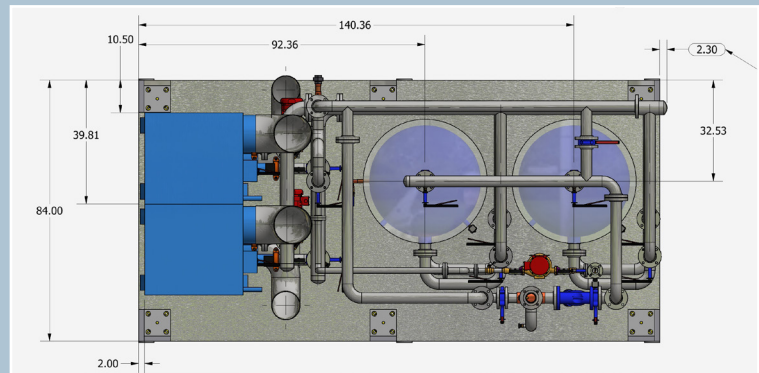
Two Storage Tanks (each pump)

Capacity
300 GAL.

Two Gas Fired Boilers (each)
2500 MBTU/hr

Circulating Pump
Model 600

Mixing Valve

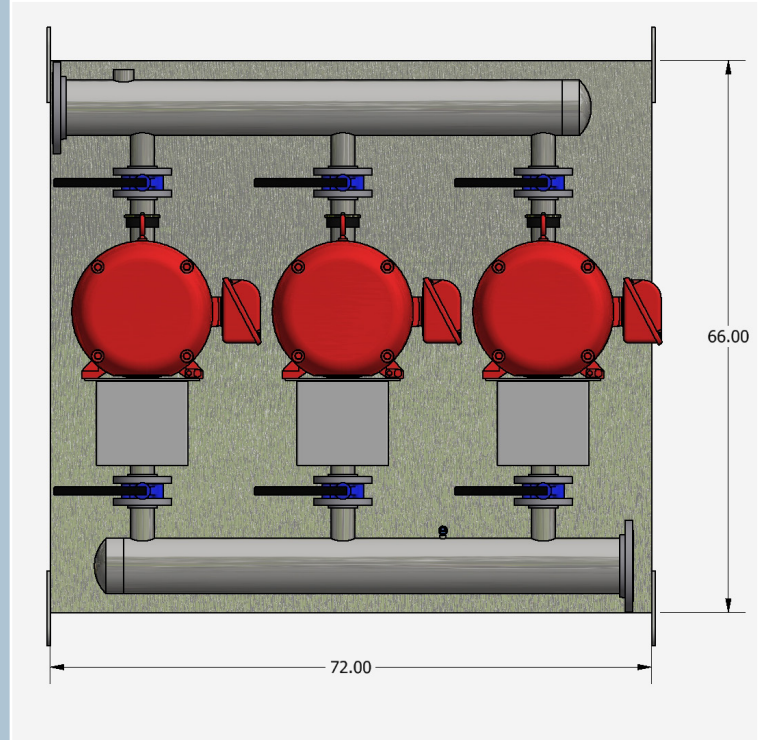
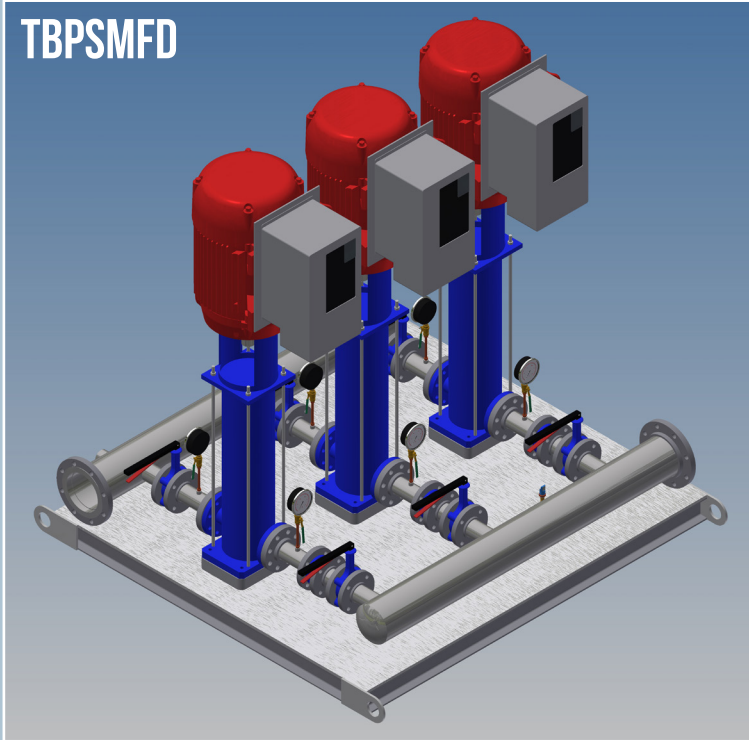


DESIGNED WITH :



Other 3D files format available

TBPSMFD

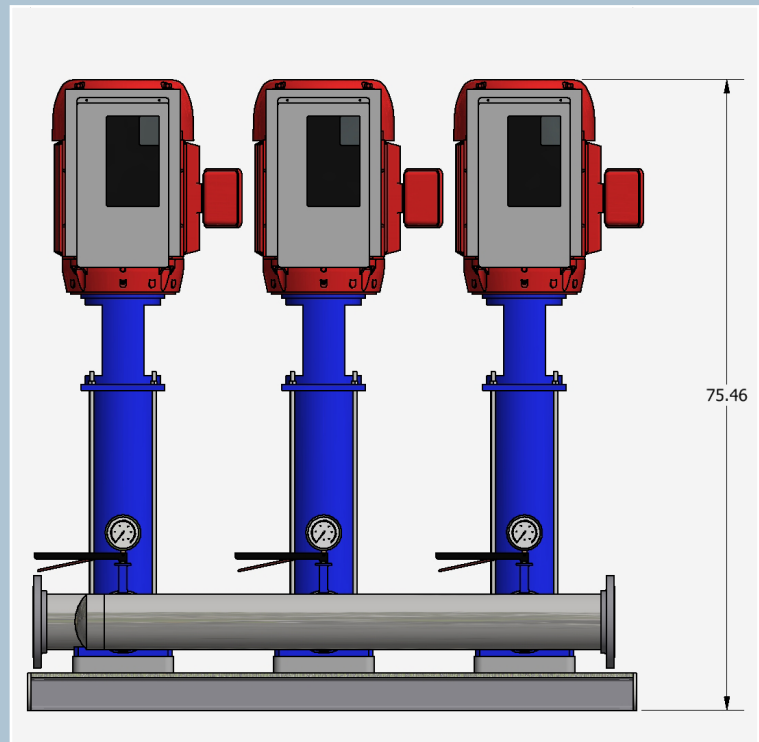


TRIPLEX BOOSTER PUMP SKID

TECHNICAL DATA

Multi-stage Pump with VFD
Model PSM32-801

Capacity (each pump)
121 GPM
570 Ft. head

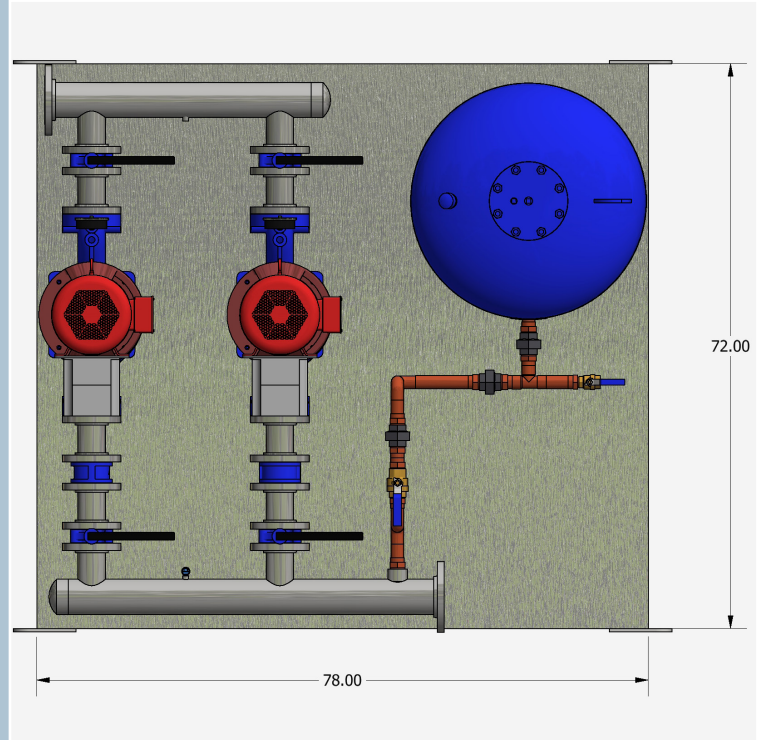
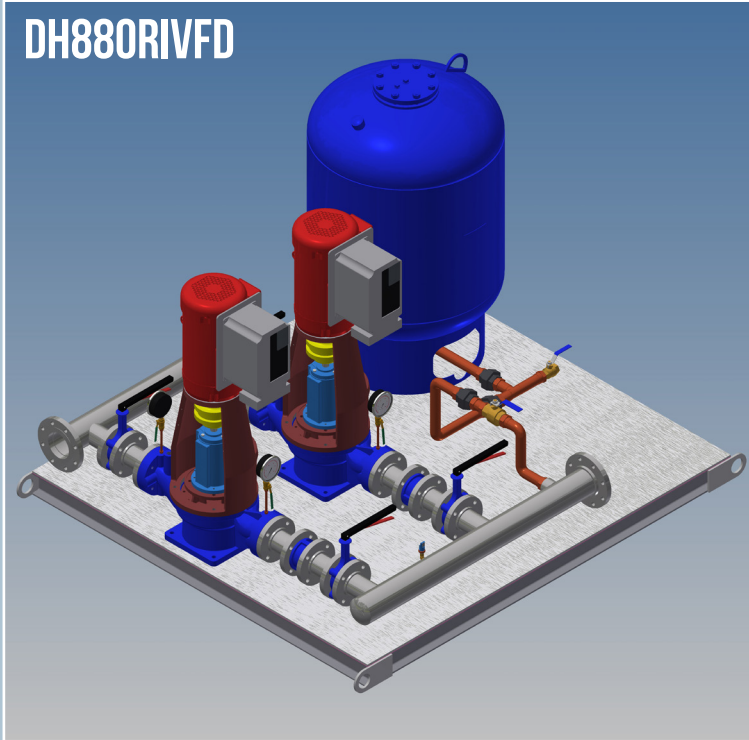


DESIGNED WITH :



Other 3D files format available

DH880RIVFD



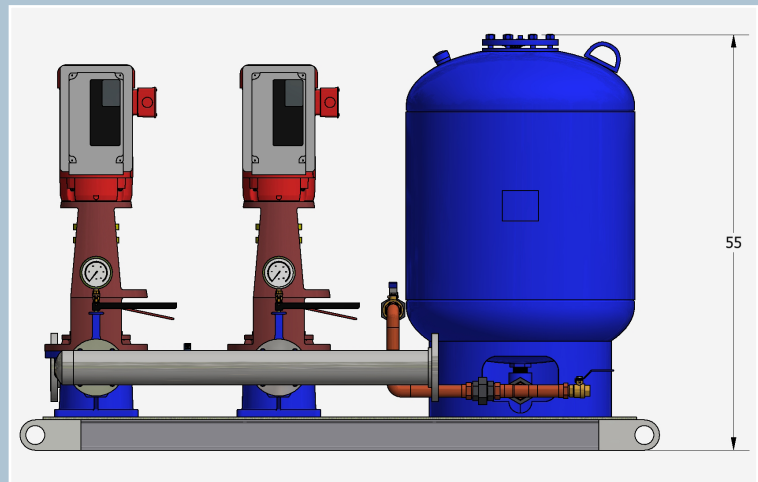
DUPLEX BOOSTER PUMP SKID

TECHNICAL DATA

Duplex Pump with VFD
Model 880RI

Capacity (each pump)
250 GPM
115 Ft. head

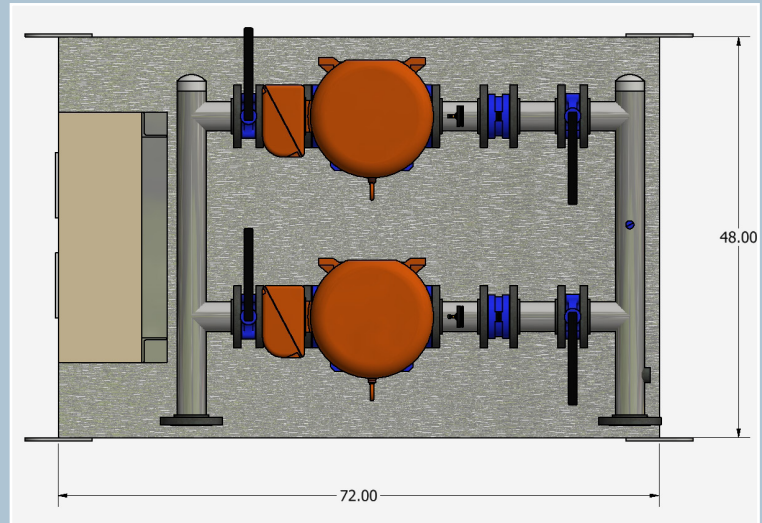
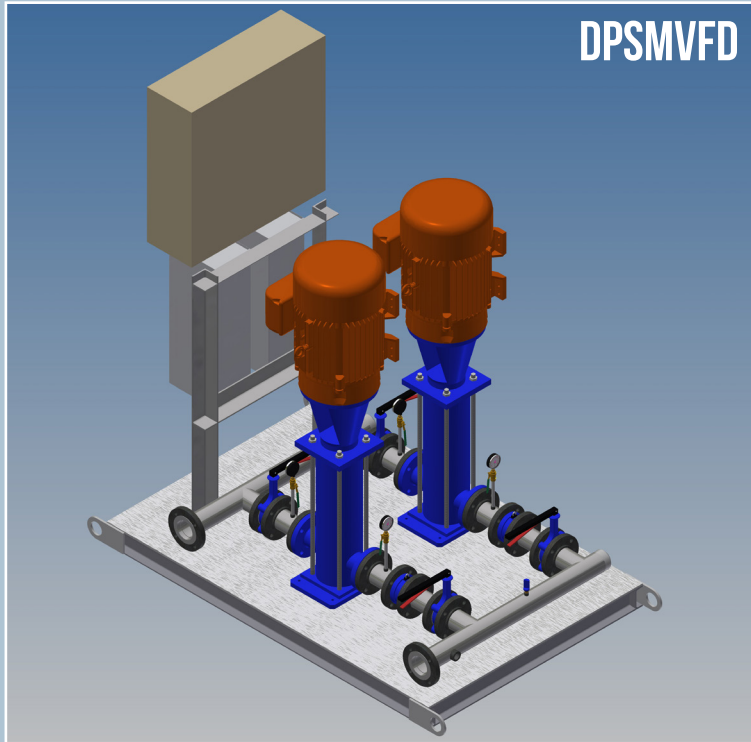
Expansion Bladder Tank
Capacity
106 GAL



DESIGNED WITH :



Other 3D files format available

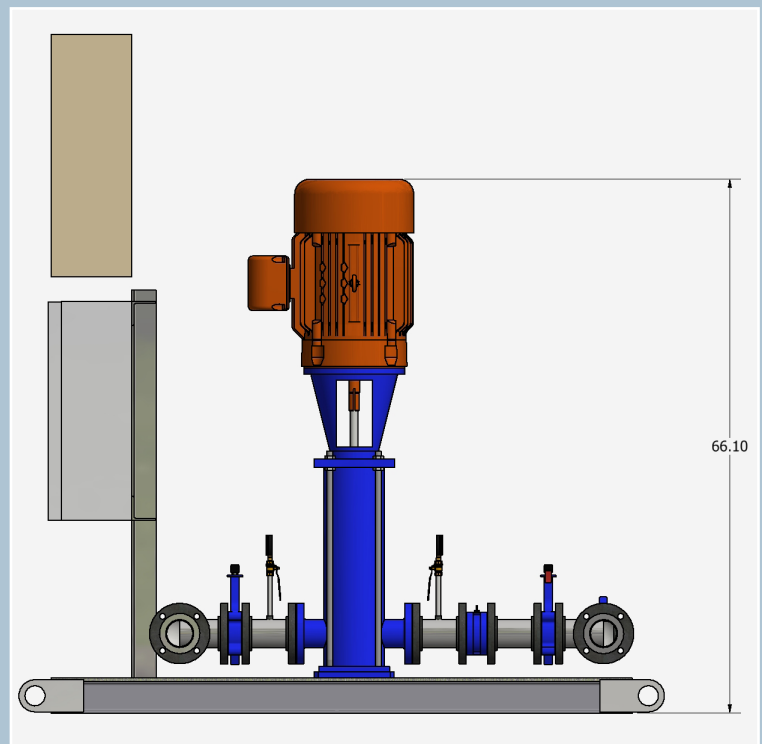


DUPLEX BOOSTER PUMP SKID TECHNICAL DATA

Duplex Multi-Stage Pump
with VFD
Model PSM42-40-2

Capacity (each pump)
190 GPM
370 Ft. head

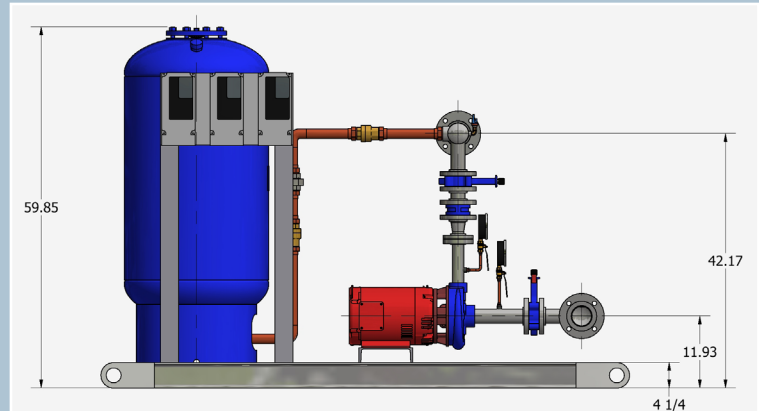
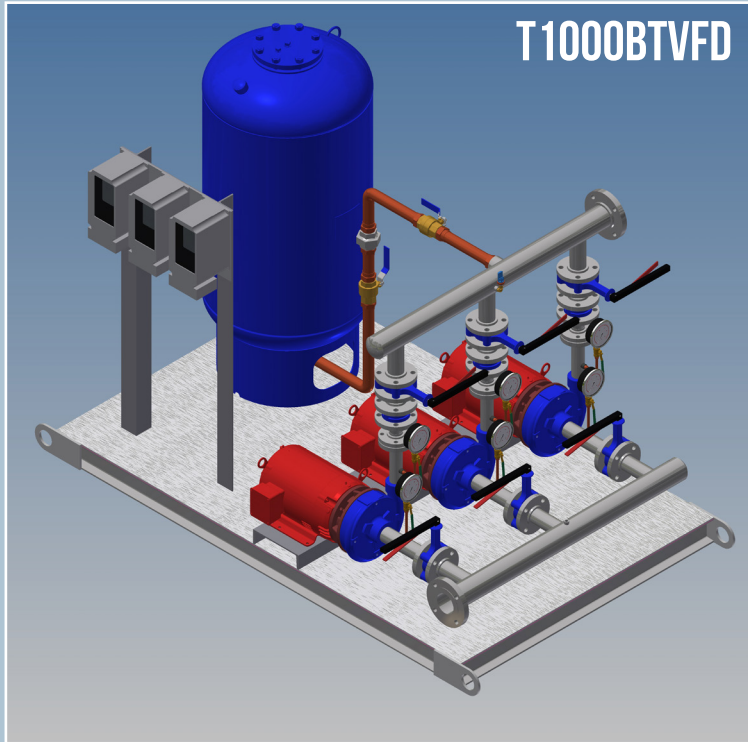
Single Point Power
Connection Panel



DESIGNED WITH :



Other 3D files format available

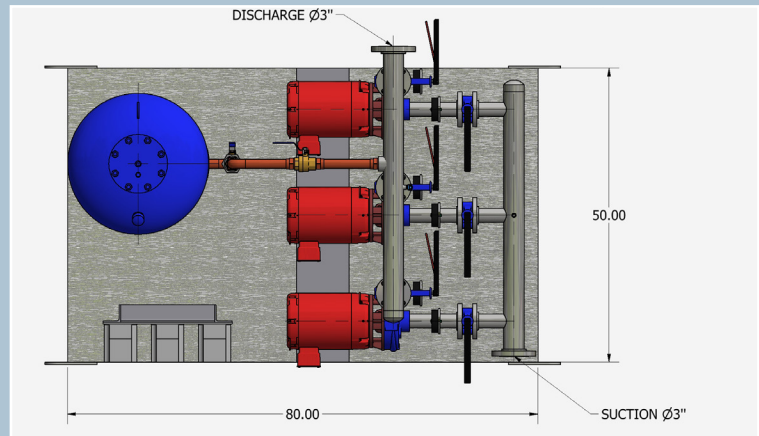


TRIPLEX BOOSTER PUMP SKID TECHNICAL DATA

Triplex End-Suction Pump
with VFD
Model 1000-c815G

Capacity (each pump)
140 GPM
210 Ft. head

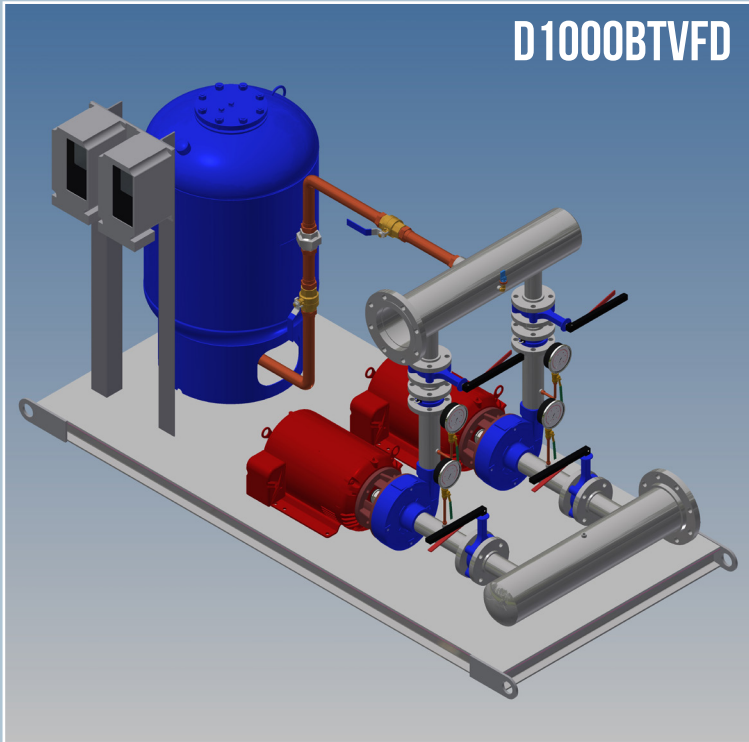
Expansion Bladder Tank
Capacity
79 GAL.



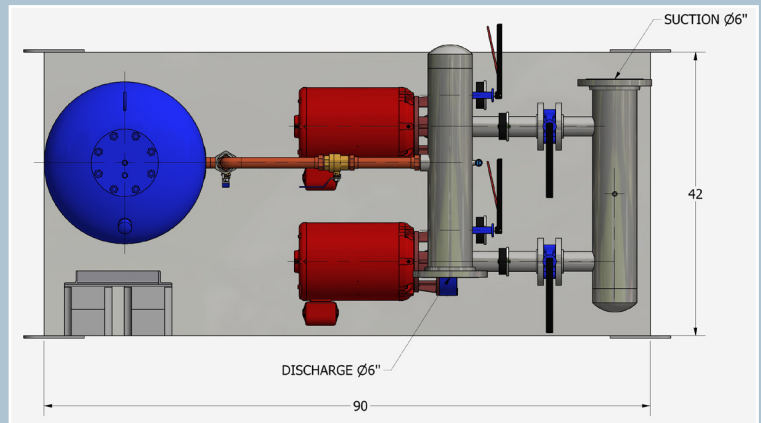
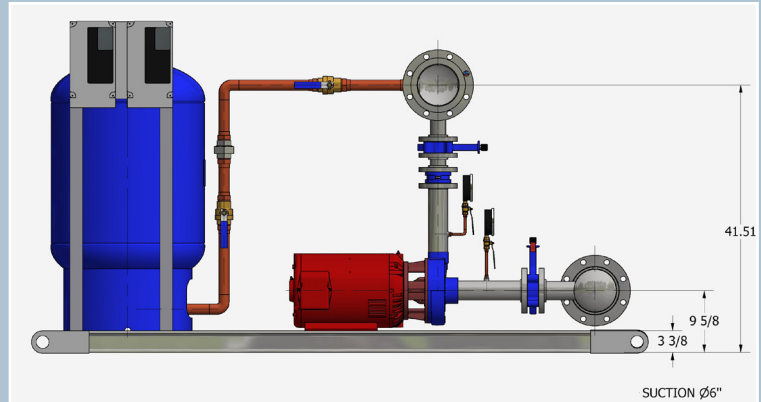
DESIGNED WITH :



Other 3D files format available



D1000BTVFD



DUPLEX PUMP SKID

TECHNICAL DATA

Duplex End-Suction Pump
with VFD
Model 1000-c820A

Capacity(each pump)
275 GPM
173 Ft. head

Expansion Bladder Tank
Capacity
53 GAL.

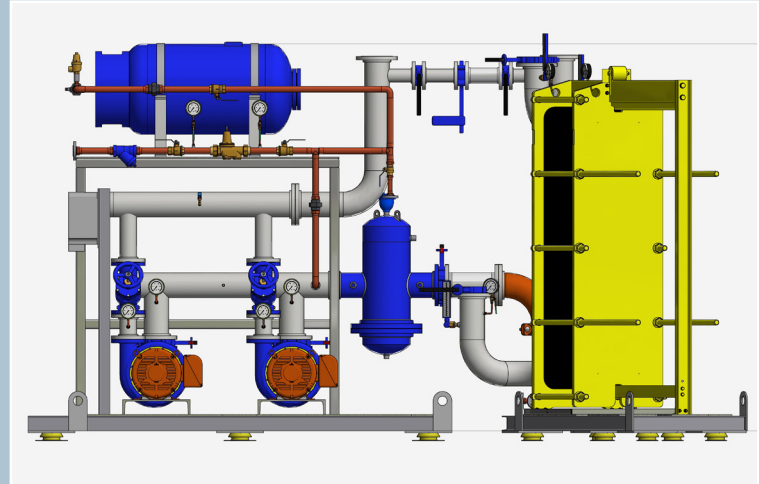
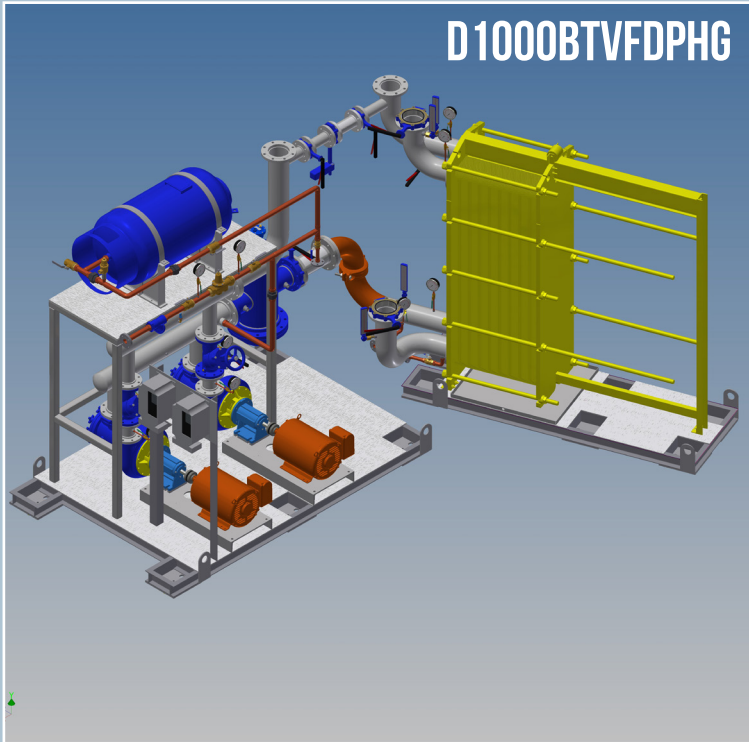


DESIGNED WITH :



Other 3D files format available





CHILLED WATER DUPLEX PUMP SYSTEM

TECHNICAL DATA

Duplex End-Suction Pump
with VFD

Capacity(each pump)

750 GPM

100 Ft. head

Expansion Bladder Tank

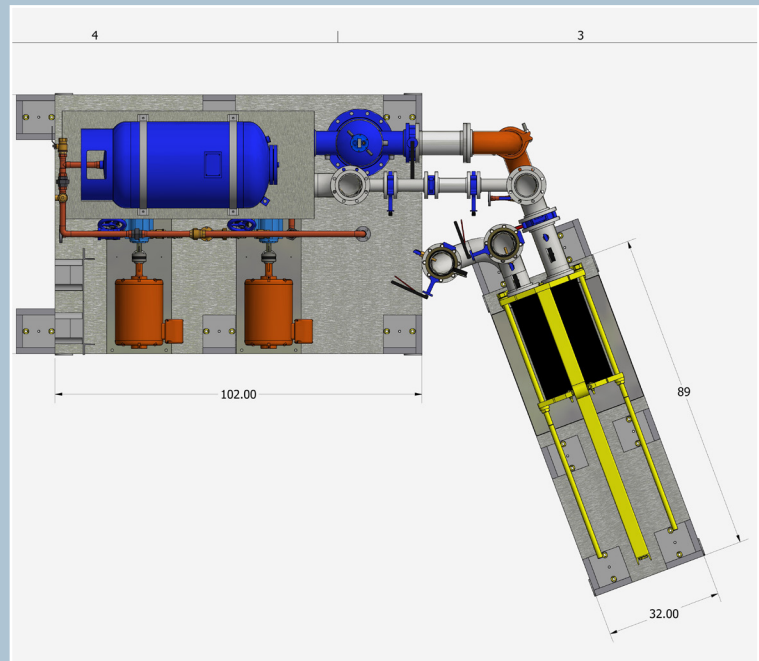
Capacity

79 GAL.

Air & Dirt Separator

Heat Exchanger

Plate & Frame

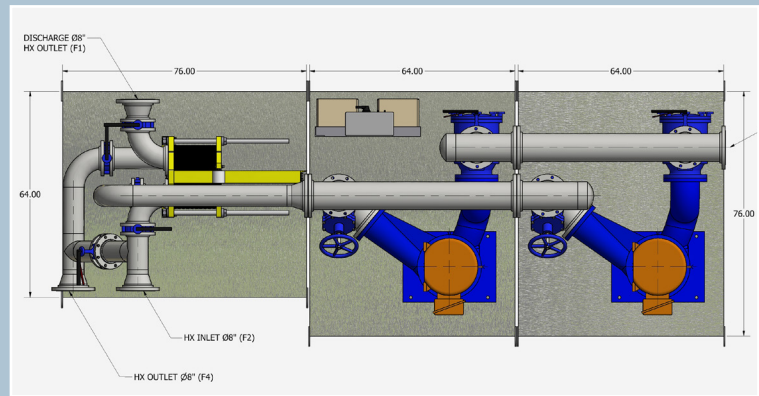
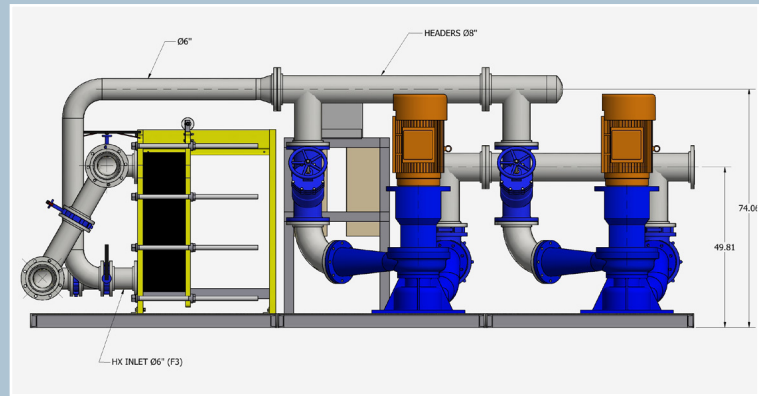
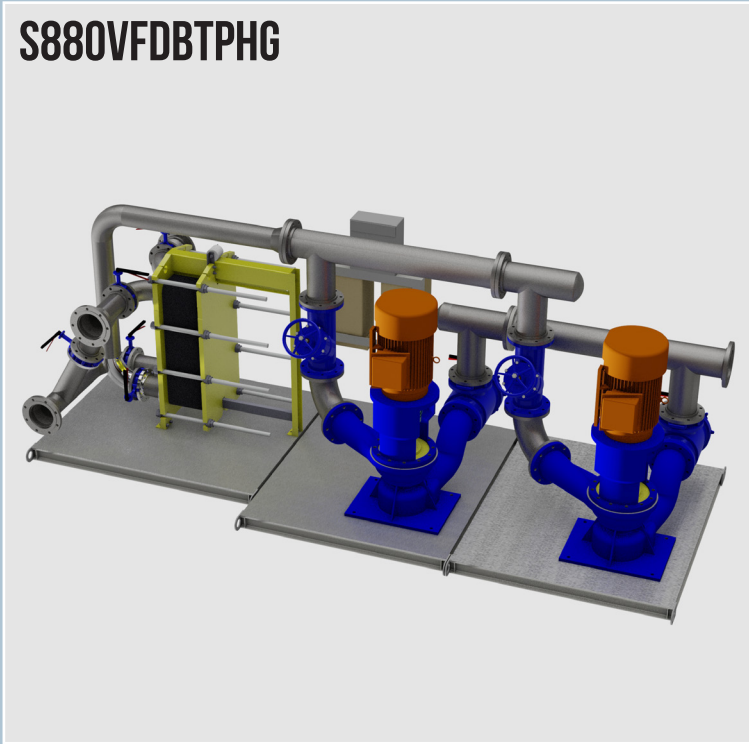


DESIGNED WITH :



Other 3D files format available

S880VFDBTPHG



CHILLED WATER PUMP SYSTEM TECHNICAL DATA

Duplex Pump
with VFD
Model XRI
with 45 degree layout
arrangement

Capacity (each pump)
1000 GPM
100 Ft. head

Heat Exchanger
Plates & Frame

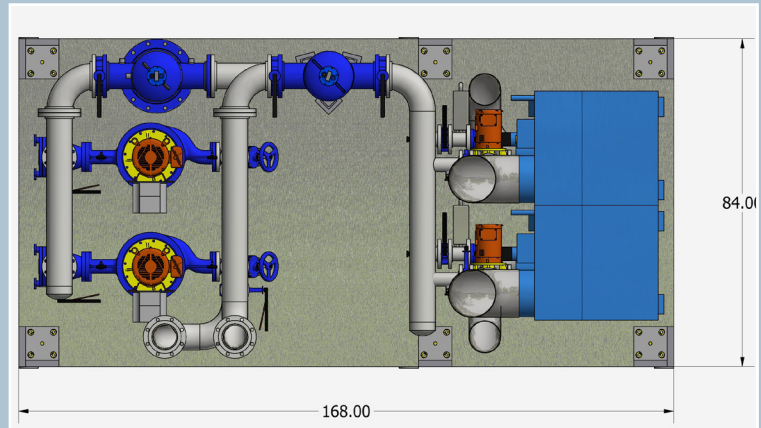
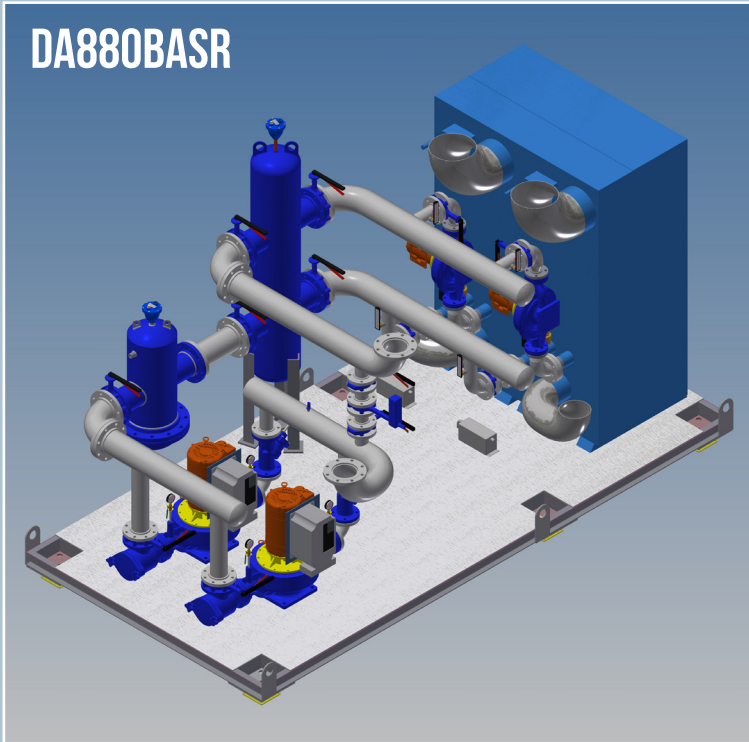


DESIGNED WITH :



Other 3D files format available

DA880BASR



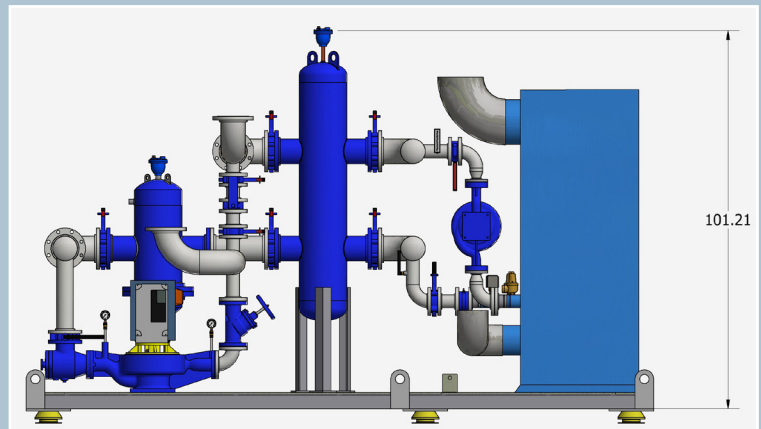
HEATING PUMP SKID TECHNICAL DATA

Duplex Gas Fired Boilers (each)
2500 MBTU/hr

Duplex Inline Pump
Model 880

Capacity (each pump)
400 GPM
100 Ft. head

Hydraulic Air Separator

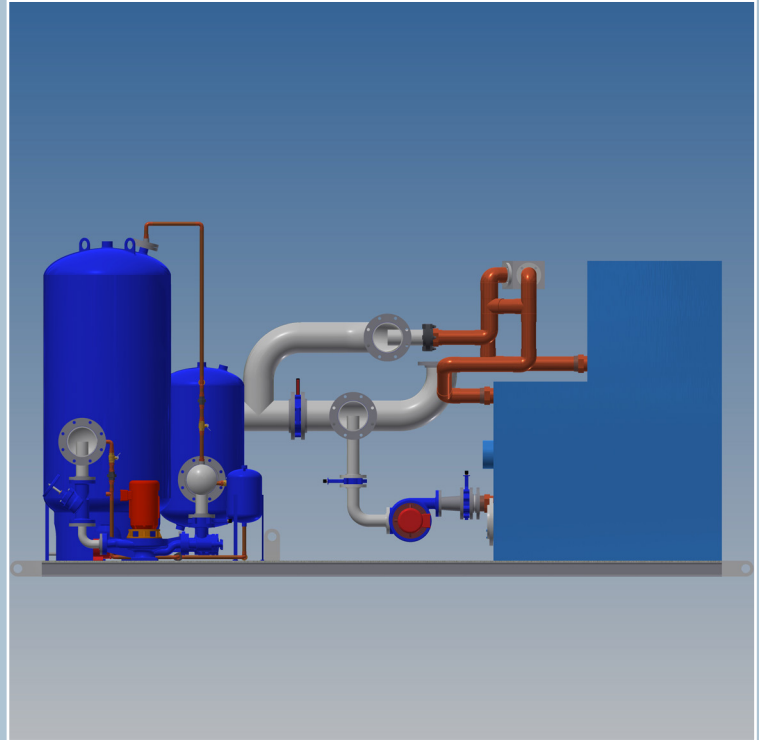
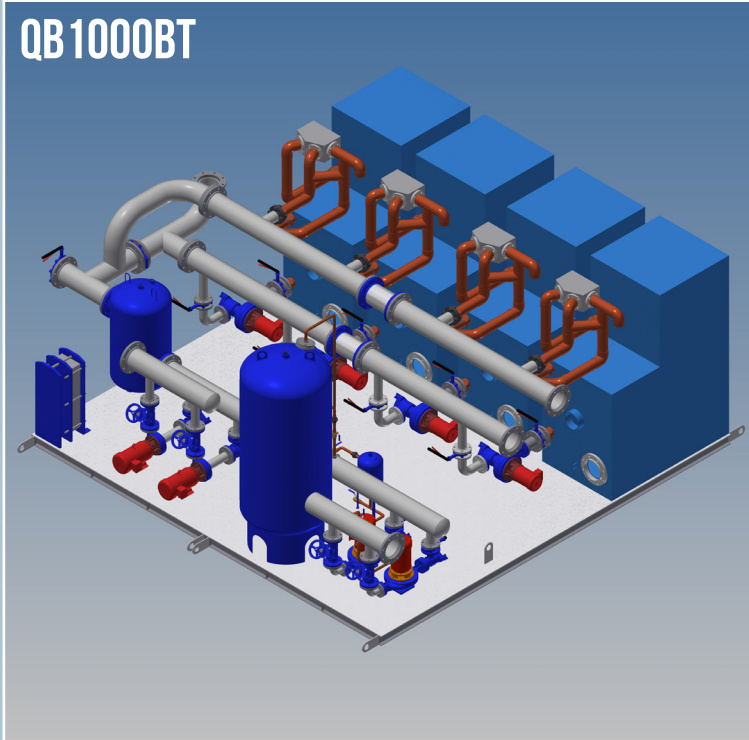


DESIGNED WITH :



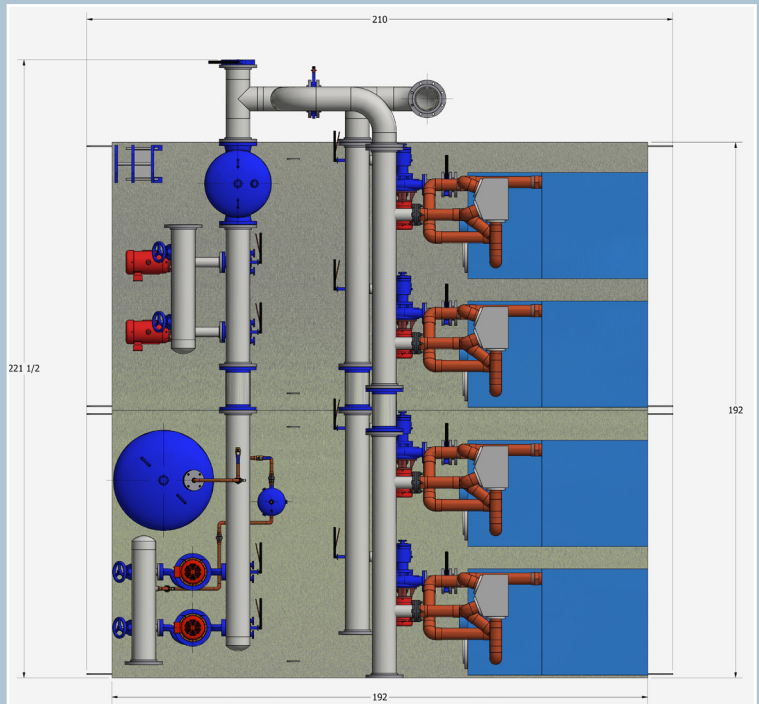
Other 3D files format available

QB 1000BT



HEATING PUMP SYSTEM TECHNICAL DATA

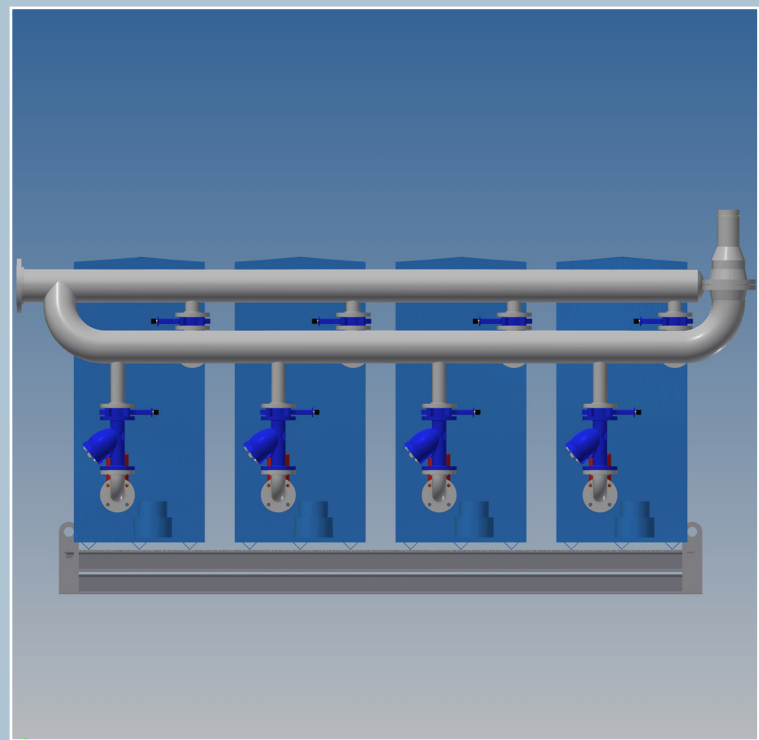
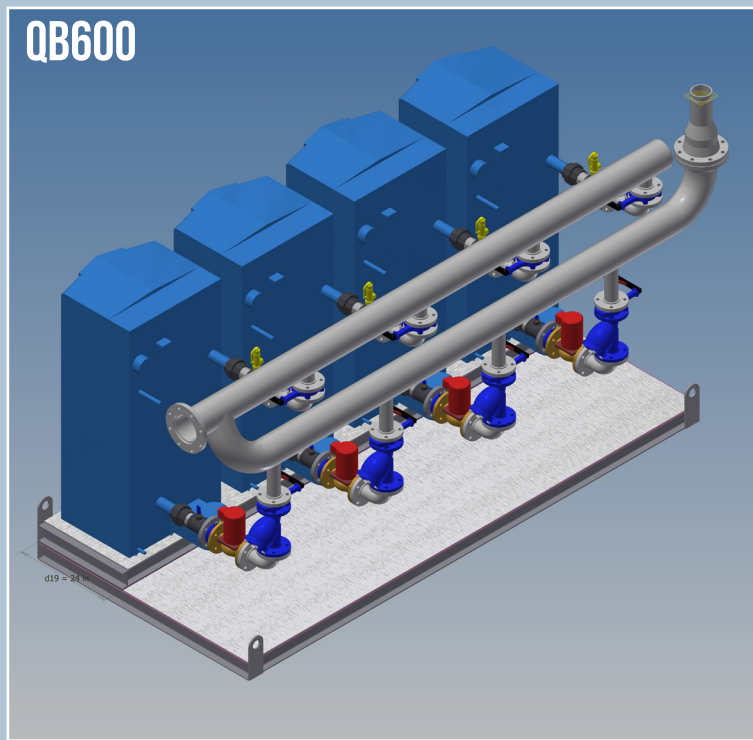
- Quadruplex Boilers
- Quadruplex Pump
- Duplex Inline 880
- Duplex End-Suction



DESIGNED WITH :



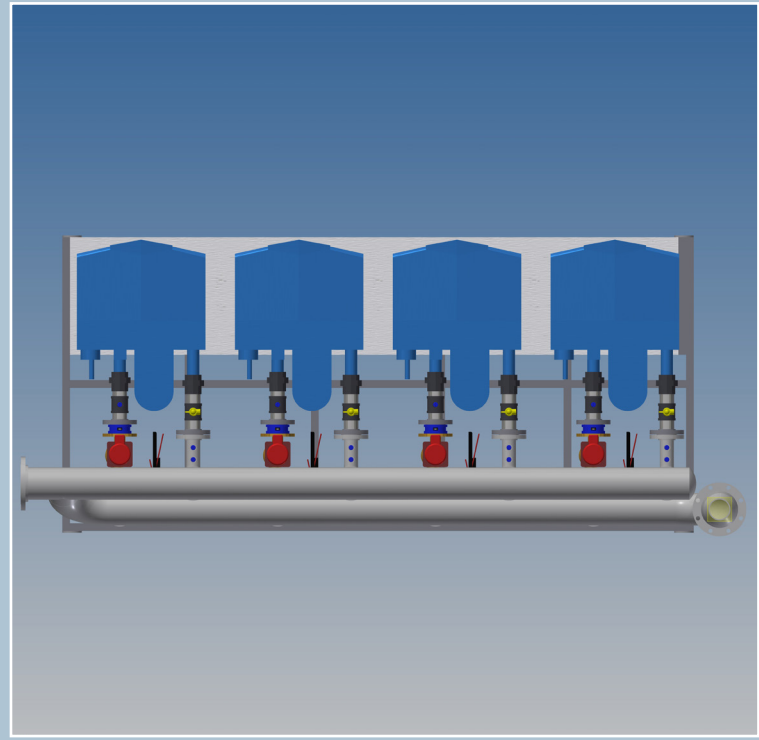
Other 3D files format available



HEATING PUMP SYSTEM TECHNICAL DATA

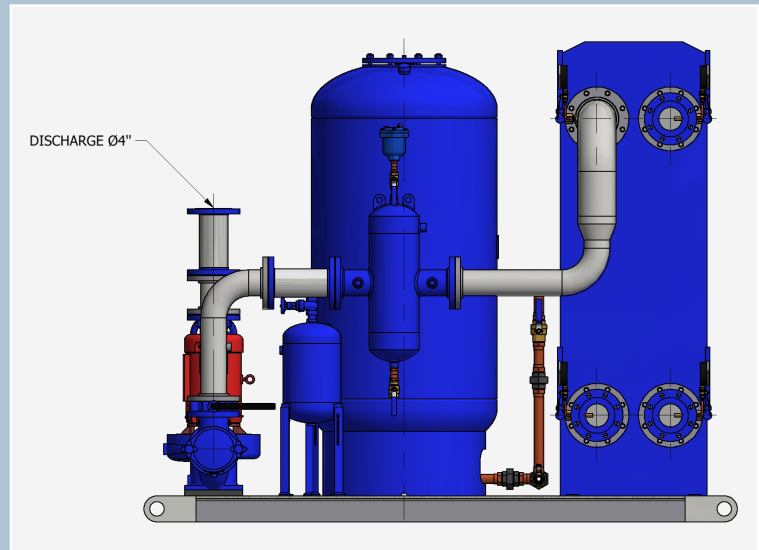
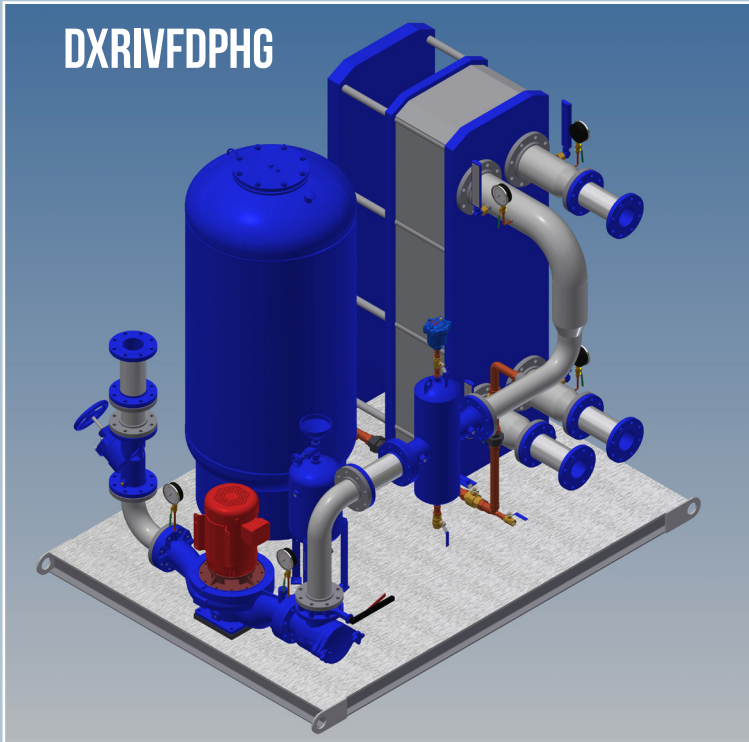
Quadruplex Boilers (each)
825 MBTU/hr

Circulating Pump
Model 600



Other 3D files format available

DXRIVFDPHG



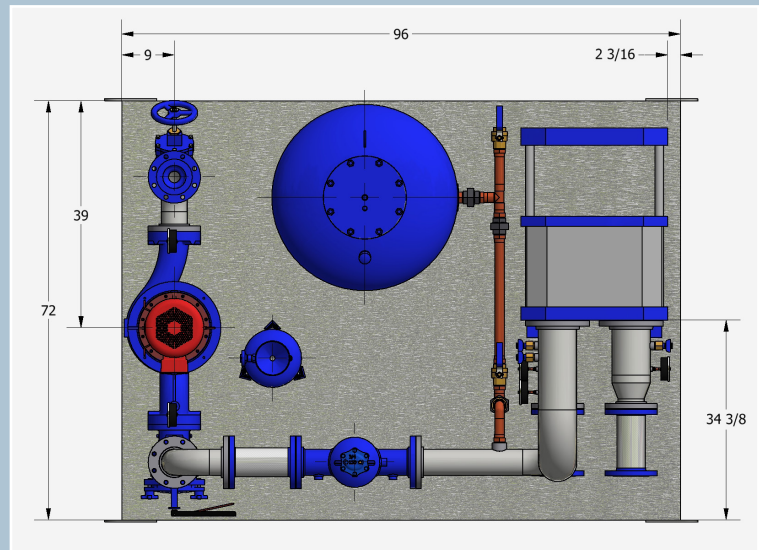
HYDRONIC HEATING PUMP SYSTEM TECHNICAL DATA

Simplex Pump
Inline Model 880

Capacity (each pump)
252GPM
60 Ft. head

Heat Exchanger
Plates & Frame

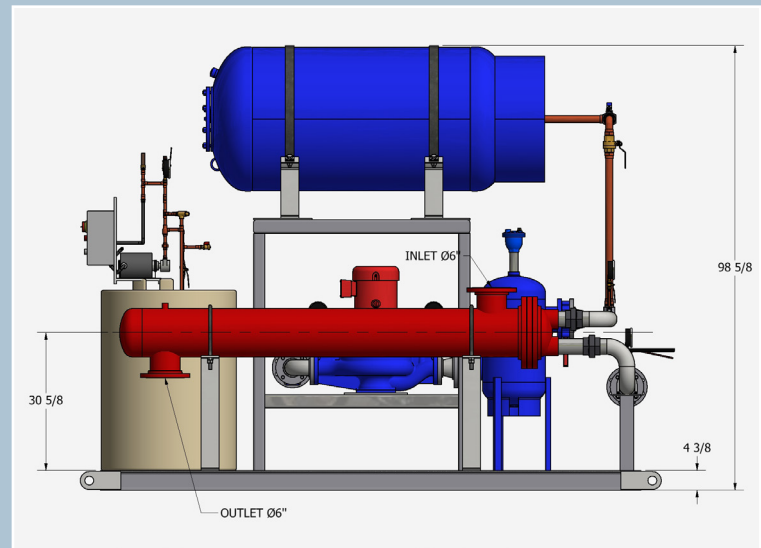
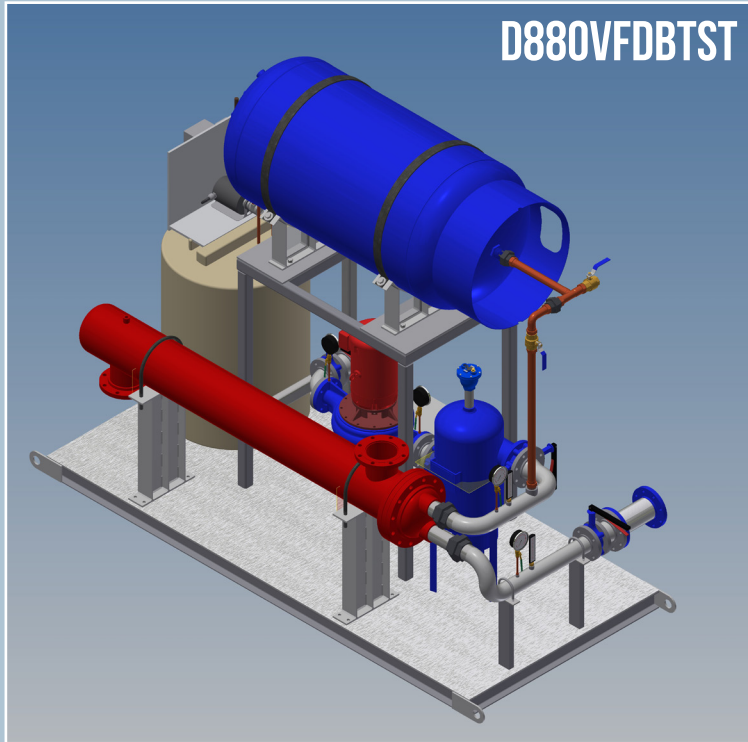
Expansion Tank
Capacity
211 GAL.



DESIGNED WITH :



Other 3D files format available



HYDRONIC HEATING PUMP SYSTEM TECHNICAL DATA

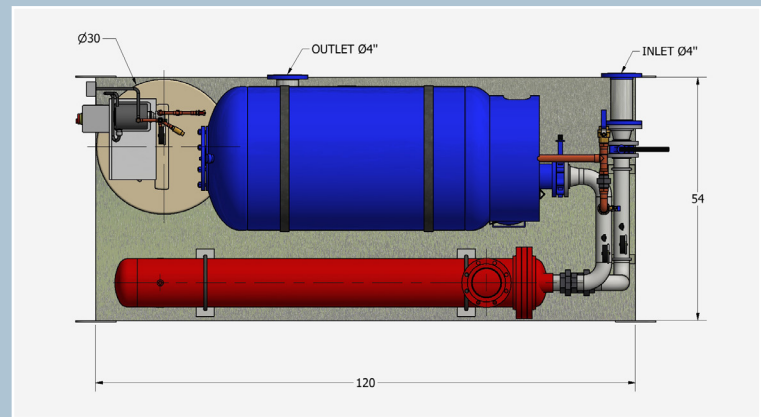
Simplex Inline Pump
Model 880

Capacity (each pump)
195 GPM
55 Ft. head

Expansion Bladder Tank
Capacity
211 GAL.

Heat Exchanger
Shell & Tubes

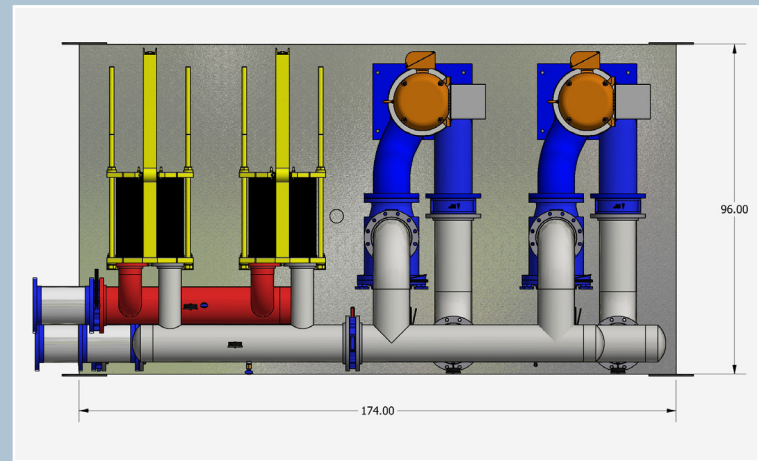
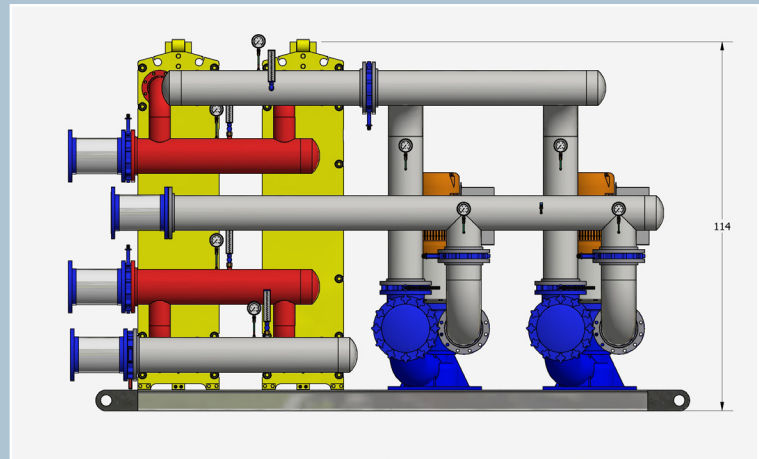
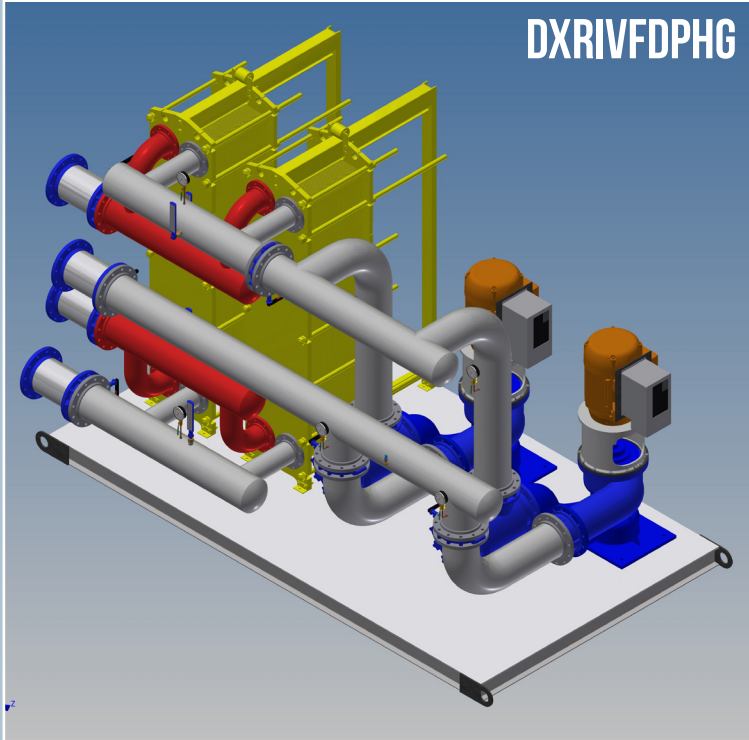
Simplex Glycol Feed
Capacity
52 GAL.



DESIGNED WITH :



Other 3D files format available



HYDRONIC HEATING DUPLEX PUMP SYSTEM

TECHNICAL DATA

Duplex Pump
Model XRI

Capacity (each pump)
2550 GPM
40 Ft. head

Two Heat Exchangers
Plates & Frame



DESIGNED WITH :

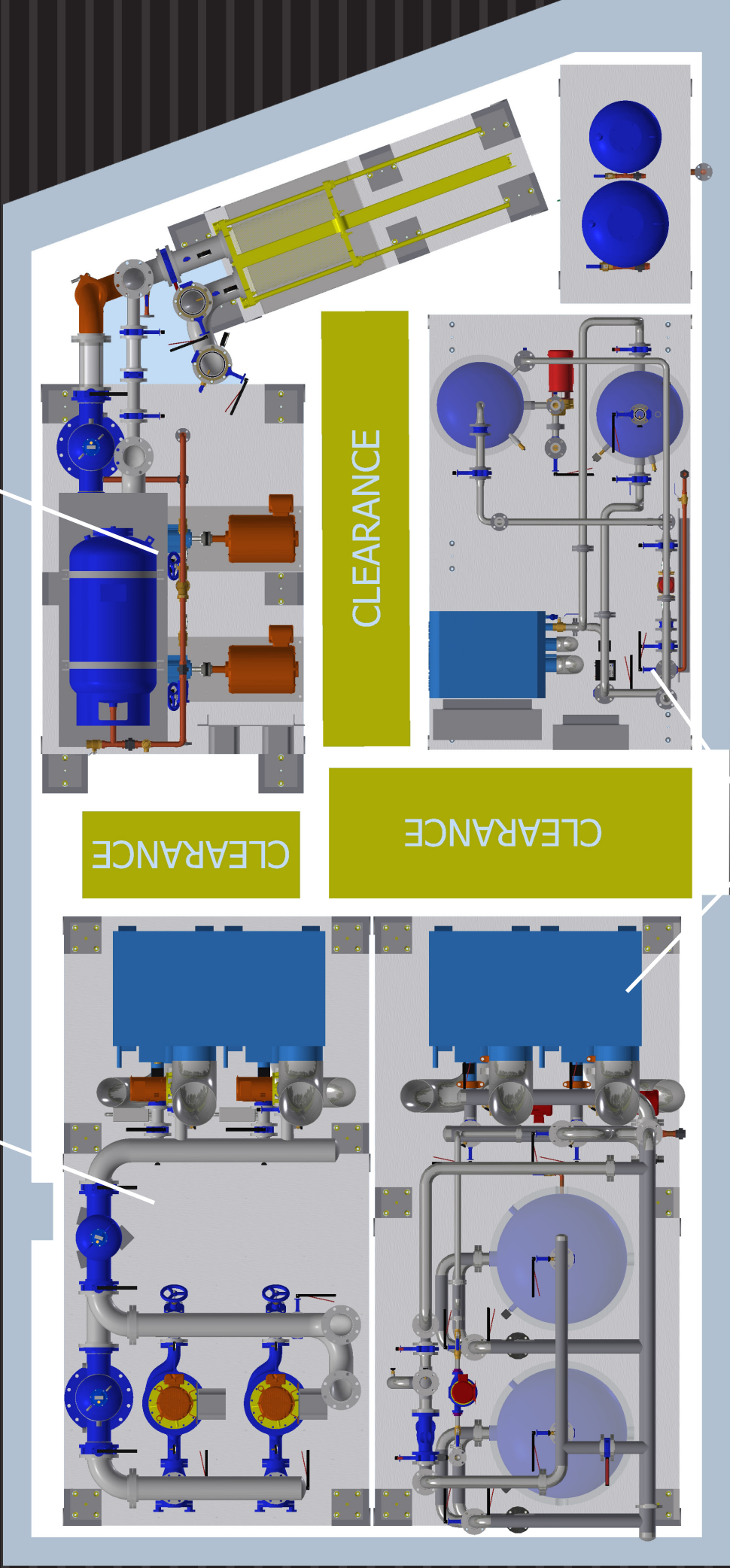


Other 3D files format available

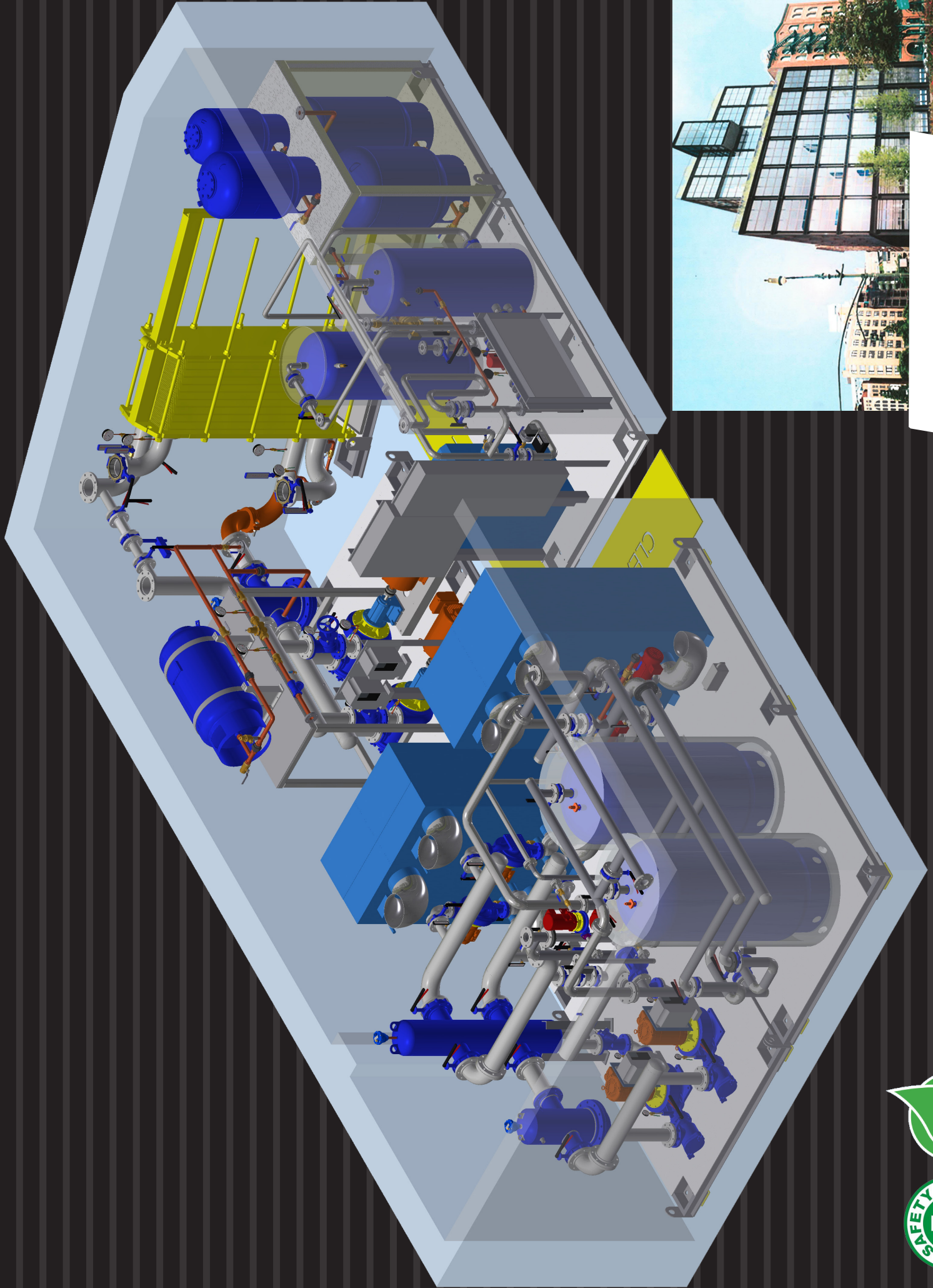
Typical Mechanical Room

Hydronic Heating System Skid

Hydronic Cooling System Skid



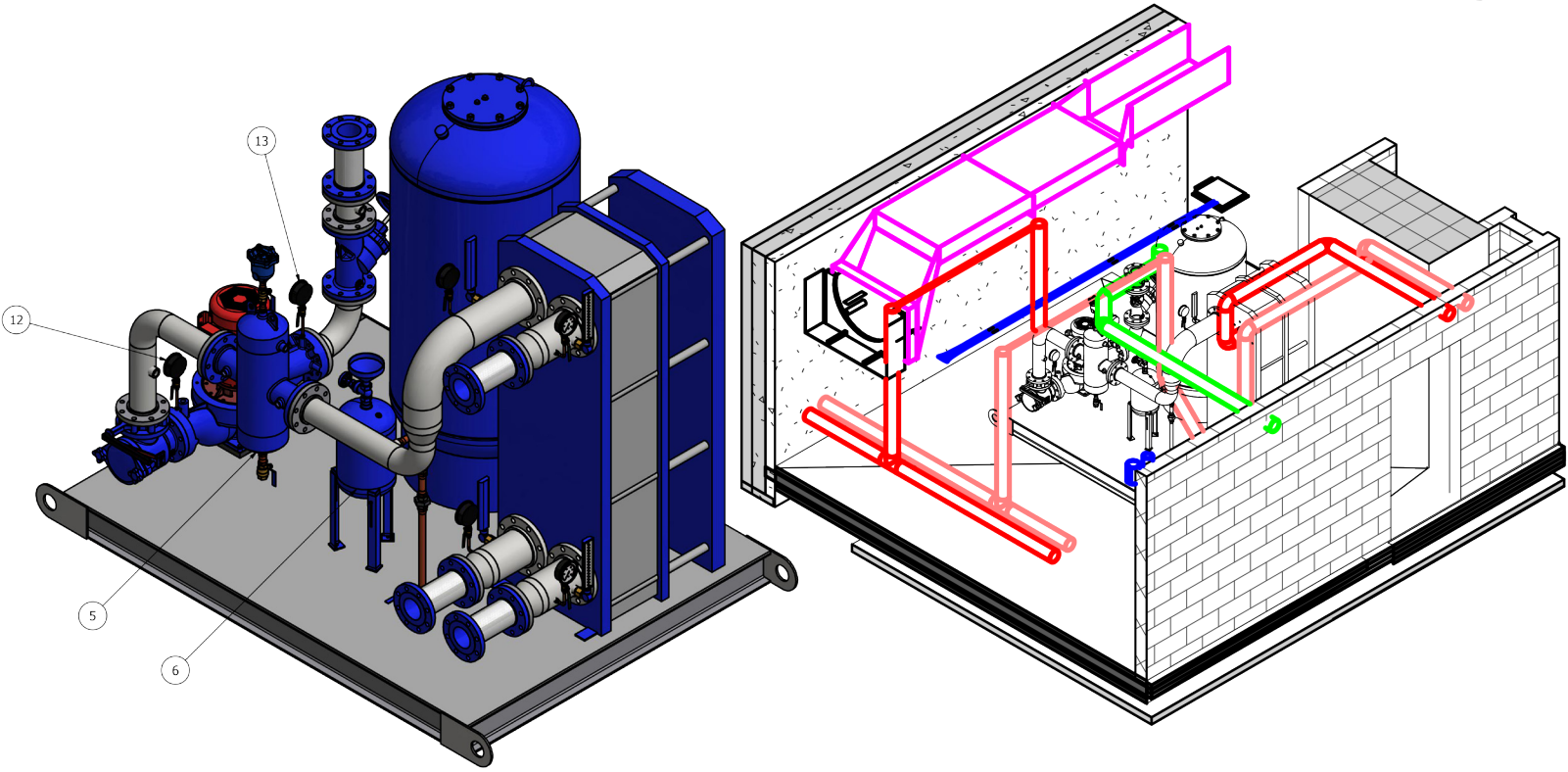
Hot Water Domestic Skids



**POD HOTEL, NEW YORK,
UNITED-STATES**



How it looks like in the field inside the building ?



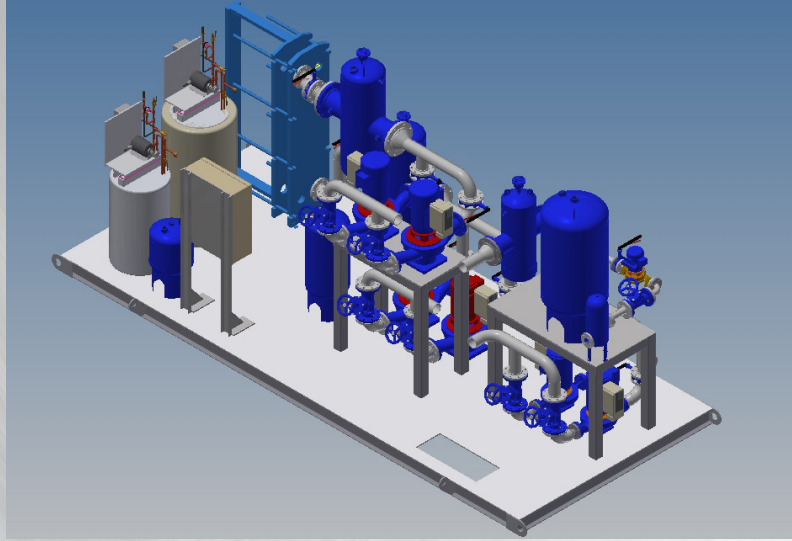
How it looks like in the field outside the building ?



HYDRONICS COOLING/HEATING/DOMESTIC PACKAGES



How it looks like inside a shelter ?



We are proud supplier for the following completed and on going case studies projects :



Rockefeller Plaza
New York, NY, US
<http://www.rockefellercenter.com>



La Malbaie Hospital
La Malbaie, Quebec, Canada
www.cssscharlevoix.qc.ca



Old Montreal College
Montreal, Quebec, Canada
www.cvm.qc.ca



Wanasesa Quebec
Montreal, Quebec, Canada
www.wanasesa.com



The Gazette
Montréal, Quebec, Canada
www.montrealgazette.com



Tommy Bahama
New York City, NY, U.S.A.
www.tommybahama.com

Sales and Service:

Quebec, Canada
Tel. : (450) 621-2995
Fax : (450) 621-4995

Lake Worth
Florida, USA
33467-5749

Toronto, Canada
Tel. : +1 (647) 544-2995

www.flofab.com

SERVICE 24/7 : parts@flofab.com



LinkedIn



YouTube

