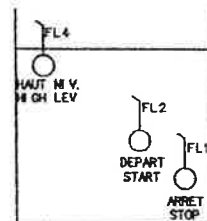
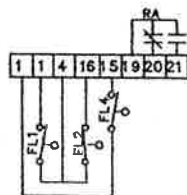
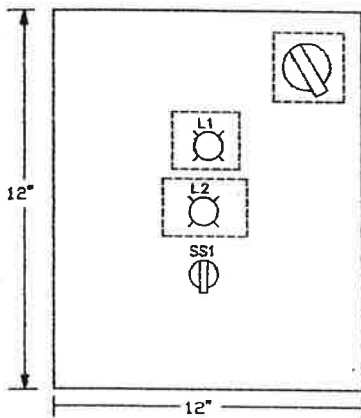
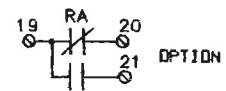
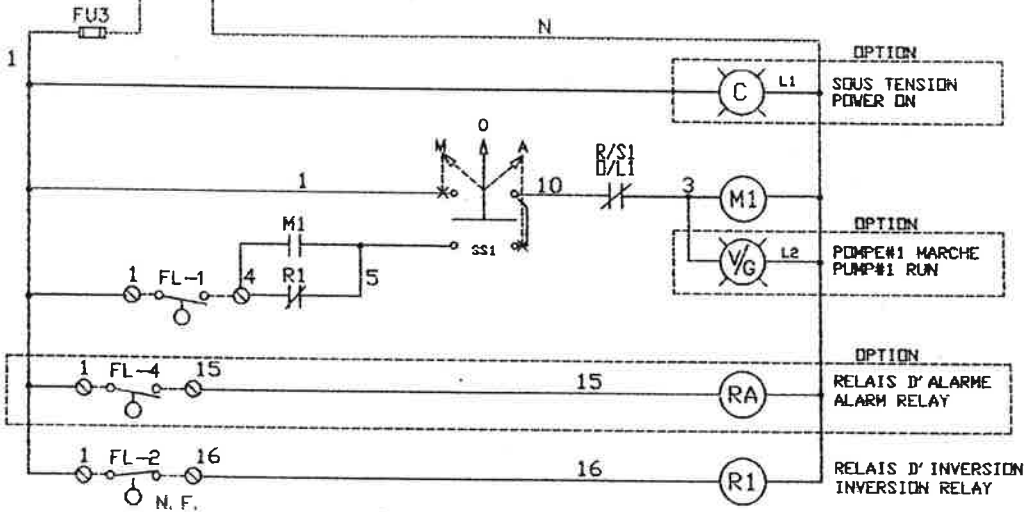
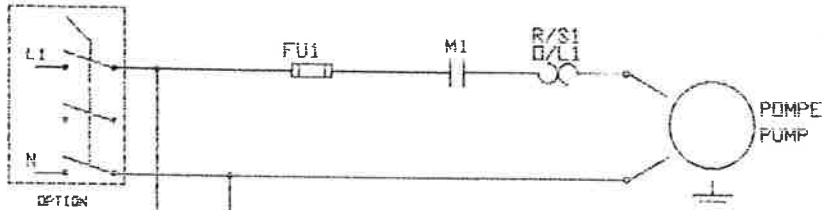


Division 10.2

Condensate

SECTIONNEUR PRINCIPAL
 MAIN DISCONNECT
 120/1 phase/60Hz

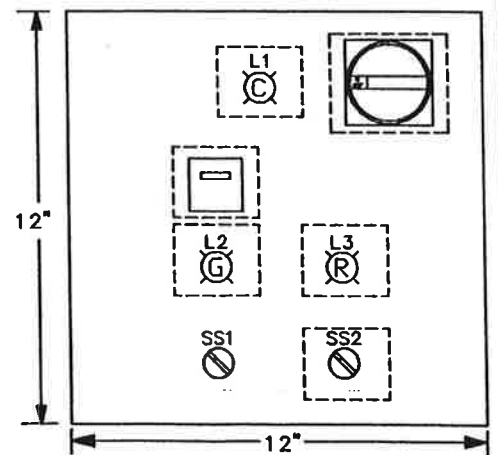
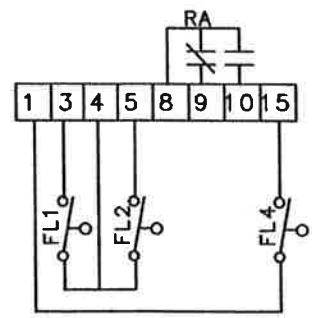
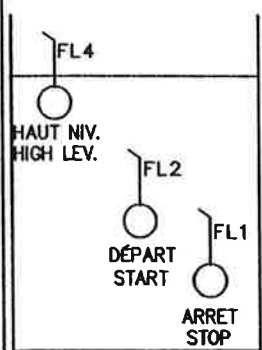
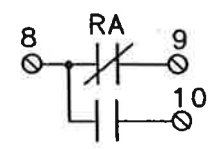
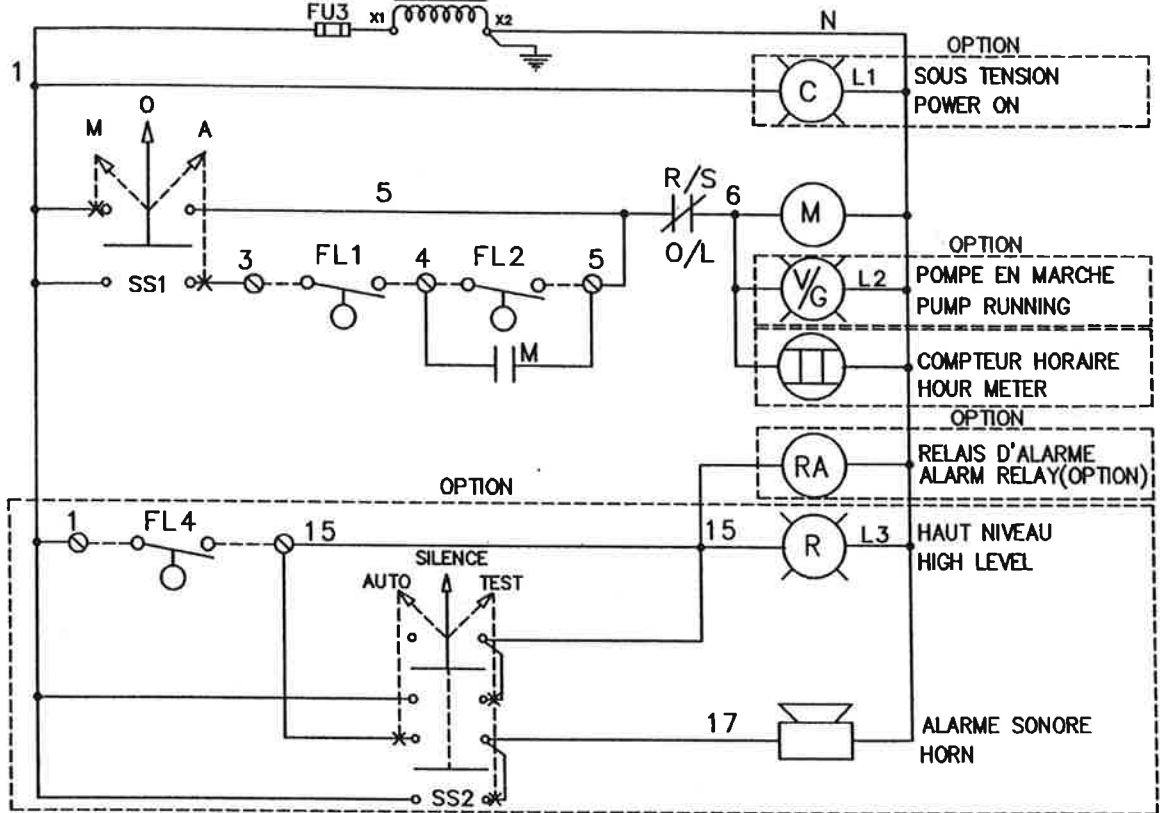
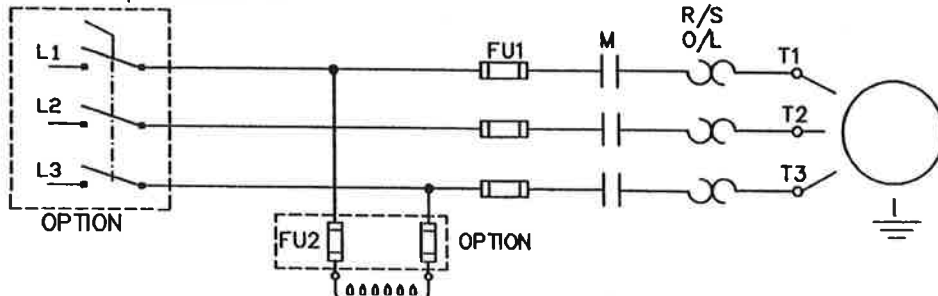


DIMENSIONS ARE APPROX. ONLY
 CONSULT FACTORY AT TIME OF ORDER

	CUSTOMER:	TITLE: SIMPLEX CONDENSÉ SIMPLEX CONDENSATE
	PROJECT:	DRAWINGS NO.: PAGE 1 OF 1 S.D.2768-A
DRAWINGS BY: OLIVER GEORGES DATE: 09-09-1999		REV: 07

SECTIONNEUR
DISCONNECT
208/460/575/3 phases/60Hz

- OPTION**
- 5- RELAIS D'ALARME
ALARM RELAY
 - 6- BLOC D'ALARME
ALARM BLOC
 - 12- COMPTEUR HORAIRE
HOUR METER
 - 21- SECTIONNEUR PRINCIPAL
MAIN DISCONNECT
 - 90- FU. PRI. TRANSFO
PRI. FUSE TRANSFO



DIMENSIONS ARE APPROX. ONLY
CONSULT FACTORY AT TIME OF ORDER

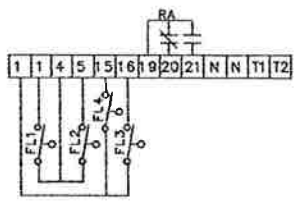
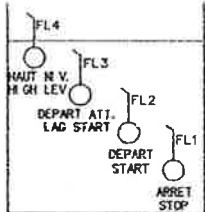
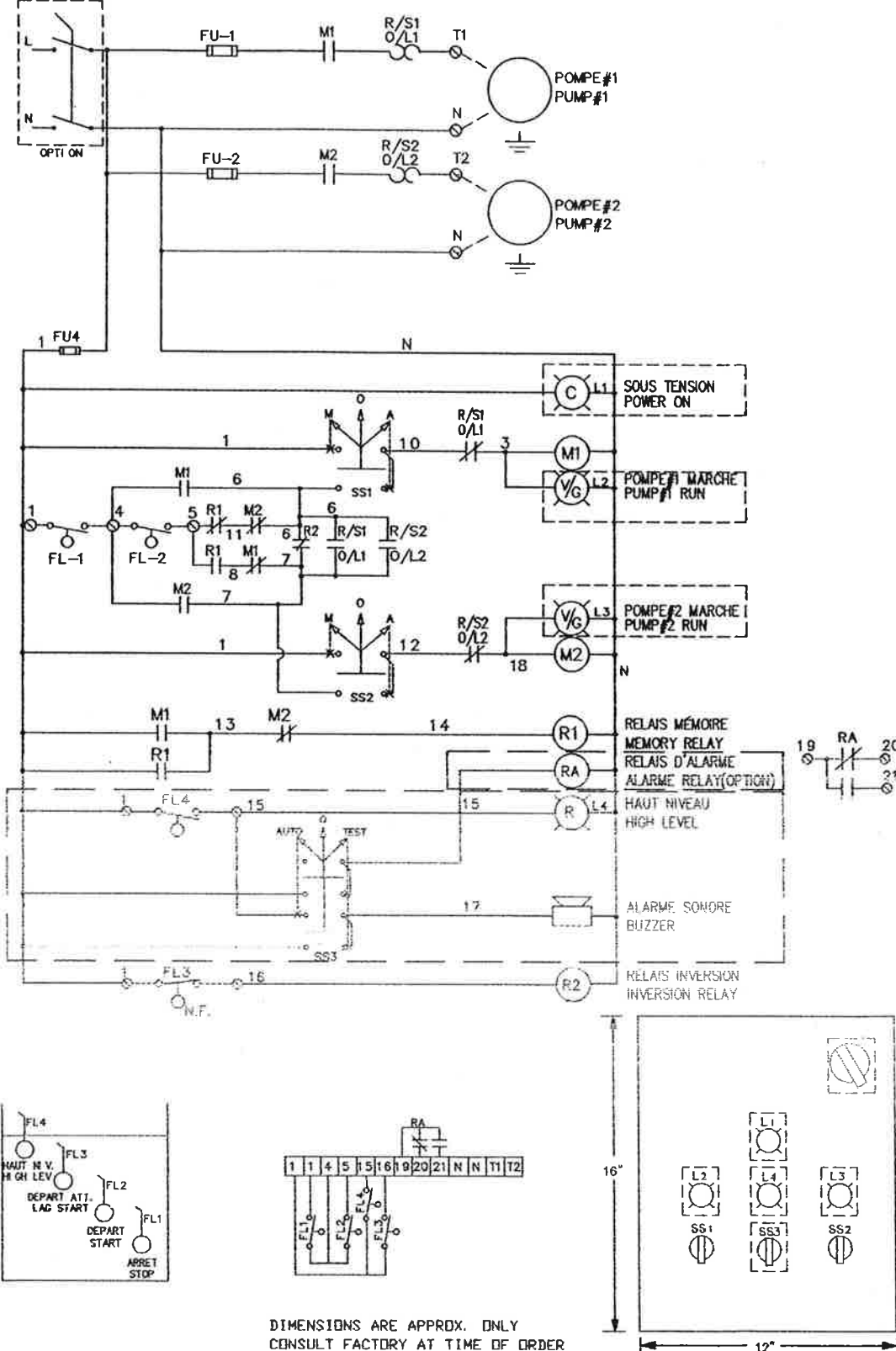
REV.	DESCRIPTION

FLO FAB

DRAWINGS BY: S. DeMONTIGNY DATE: 17-09-2002

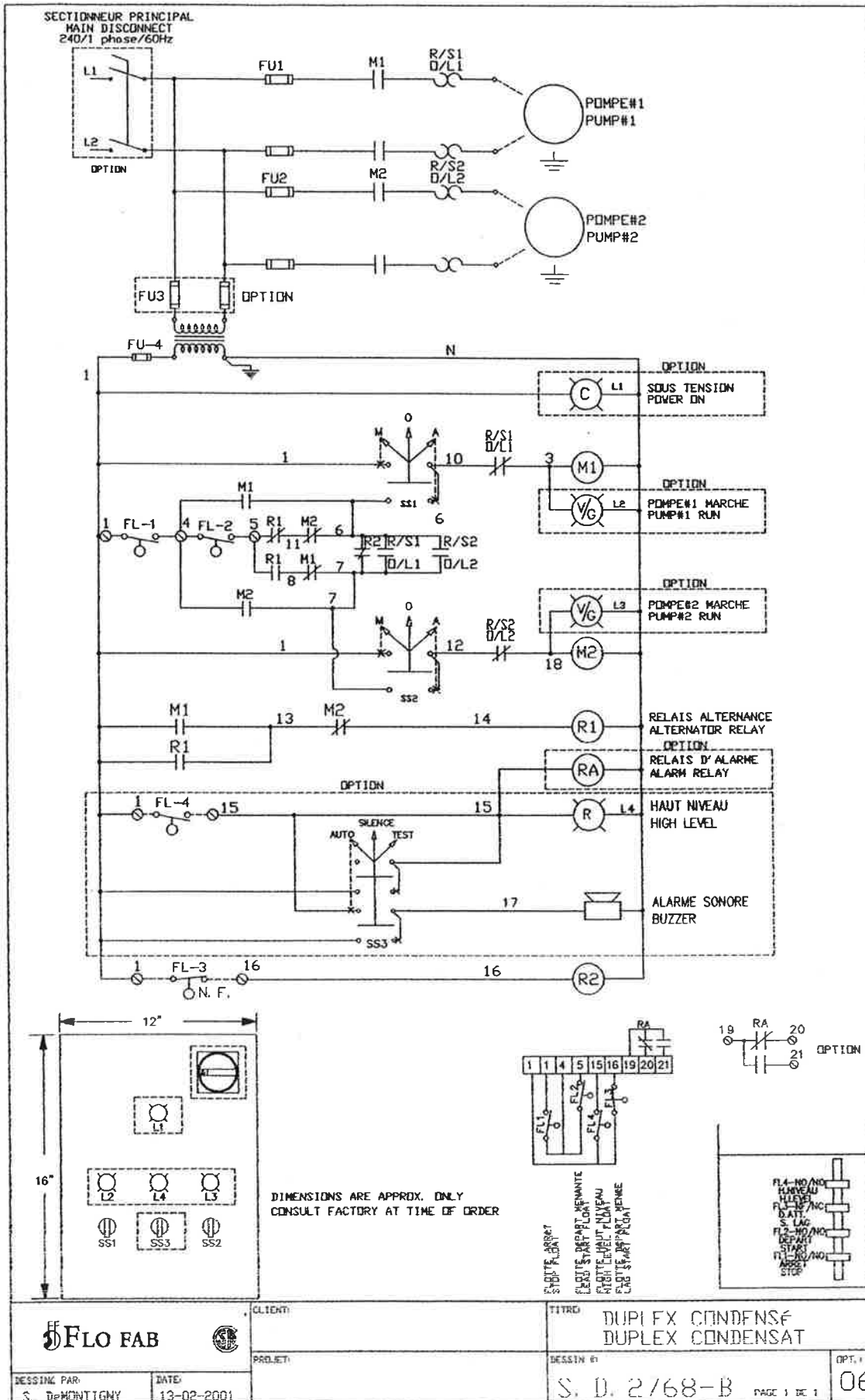
CUSTOMER:	TITLE: SIMPLEX D'ÉGOUT/CONDENSÉ SEWAGE SIMPLEX/CONDENSATE
PROJECT:	DRAWINGS NO.: S.D.8532-A PAGE 1 OF 1 OPT: 00

SECTIONNEUR PRINCIPAL
MAIN DISCONNECT
120/1 phase/60Hz

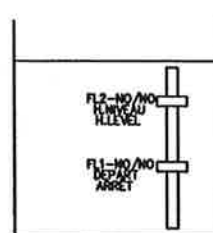
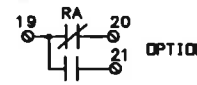
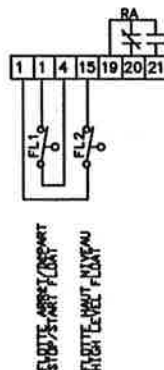
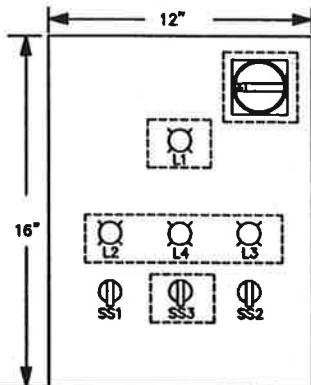
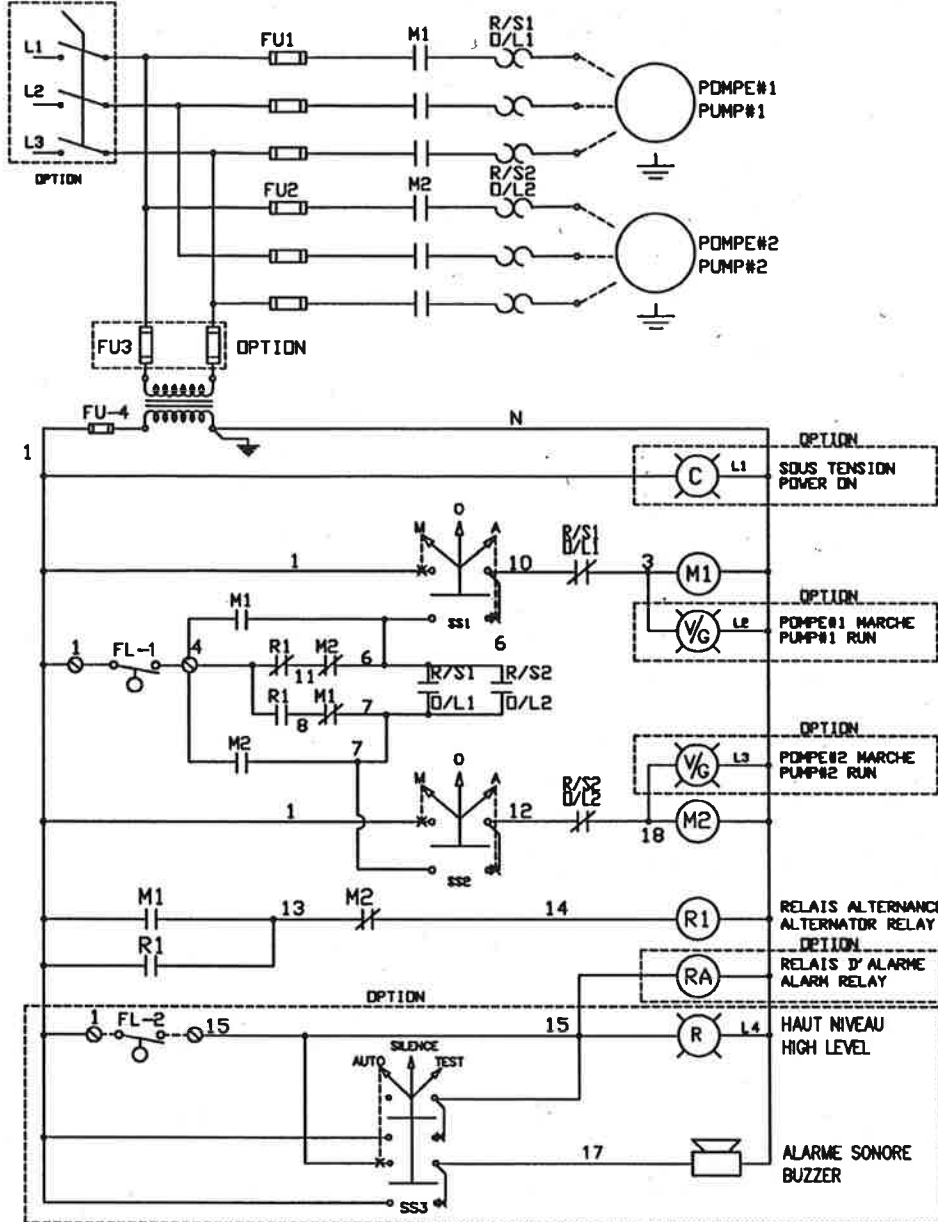


DIMENSIONS ARE APPROX. ONLY
CONSULT FACTORY AT TIME OF ORDER

	CLIENT:	TITRE:	DUPLEX DE CONDENSÉ DUPLEX CONDENSATE
	PROJET:	DESSIN #:	S. D. 2768-B
DESSINE PAR: OLIVIER GEORGES	DATE: 26-03-2001	REV.:	07



SECTIONNEUR PRINCIPAL
MAIN DISCONNECT

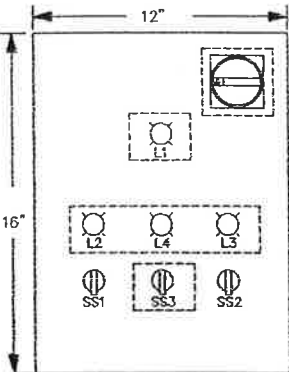
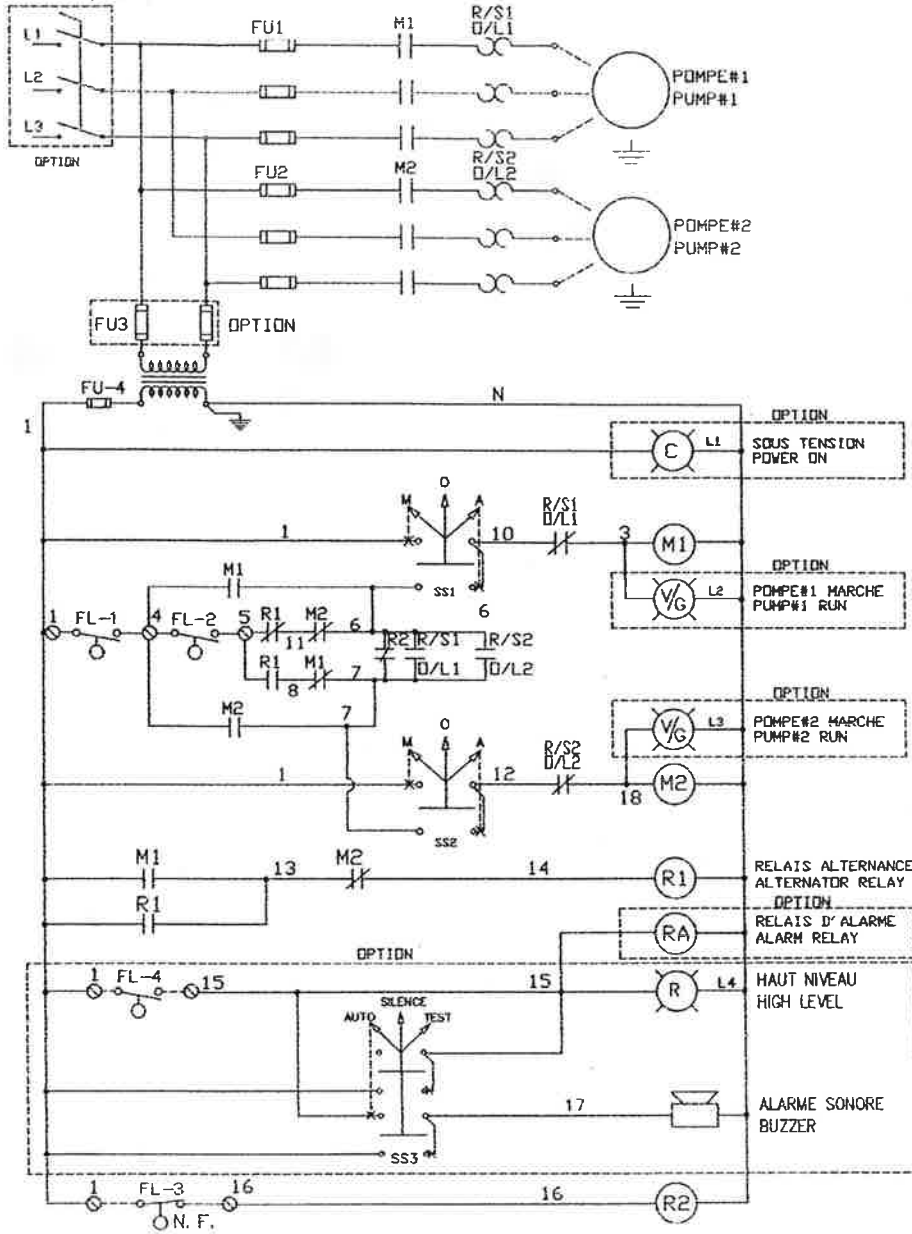


FLO FAB
 DESSINE PAR: S. DeMONTIGNY
 DATE: 13-08-2003

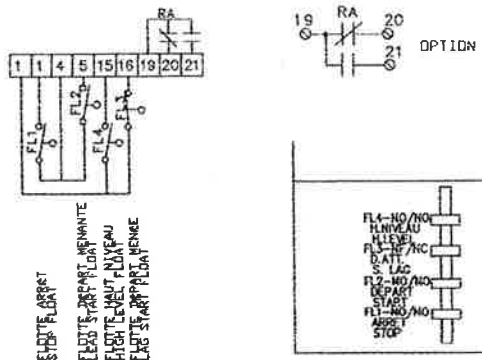
CLIENT:
 PROJET:

TITRE: DUPLEX CONDENSÉ
 DUPLEX CONDENSAT
 DESSIN N°: S. D. 2768-B
 OPT. 1: 12

SECTIONNEUR PRINCIPAL
MAIN DISCONNECT
POM/460/575/3 phases/60Hz



DIMENSIONS ARE APPROX. ONLY
CONSULT FACTORY AT TIME OF ORDER



		CLIENT:	TITRE: DUPLEX CONDENSÉ DUPLEX CONDENSAT	
DESSIN PAR: S. DeMONTIGNY	DATE: 13-02-2001	PROJET:	DESSIN N°: S. D. 2768-B	OPT. #: 03
			PAGE 1 DE 1	