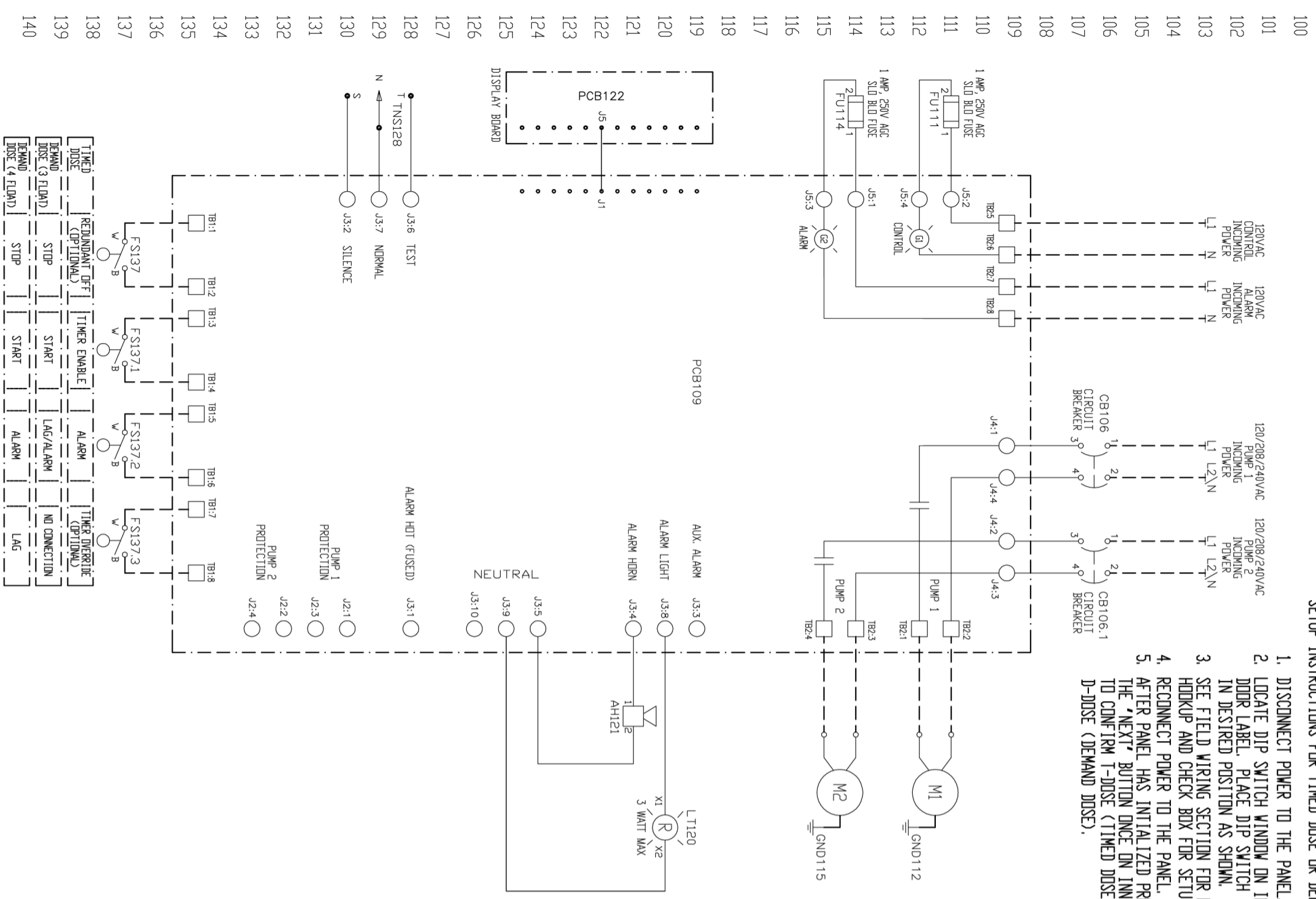
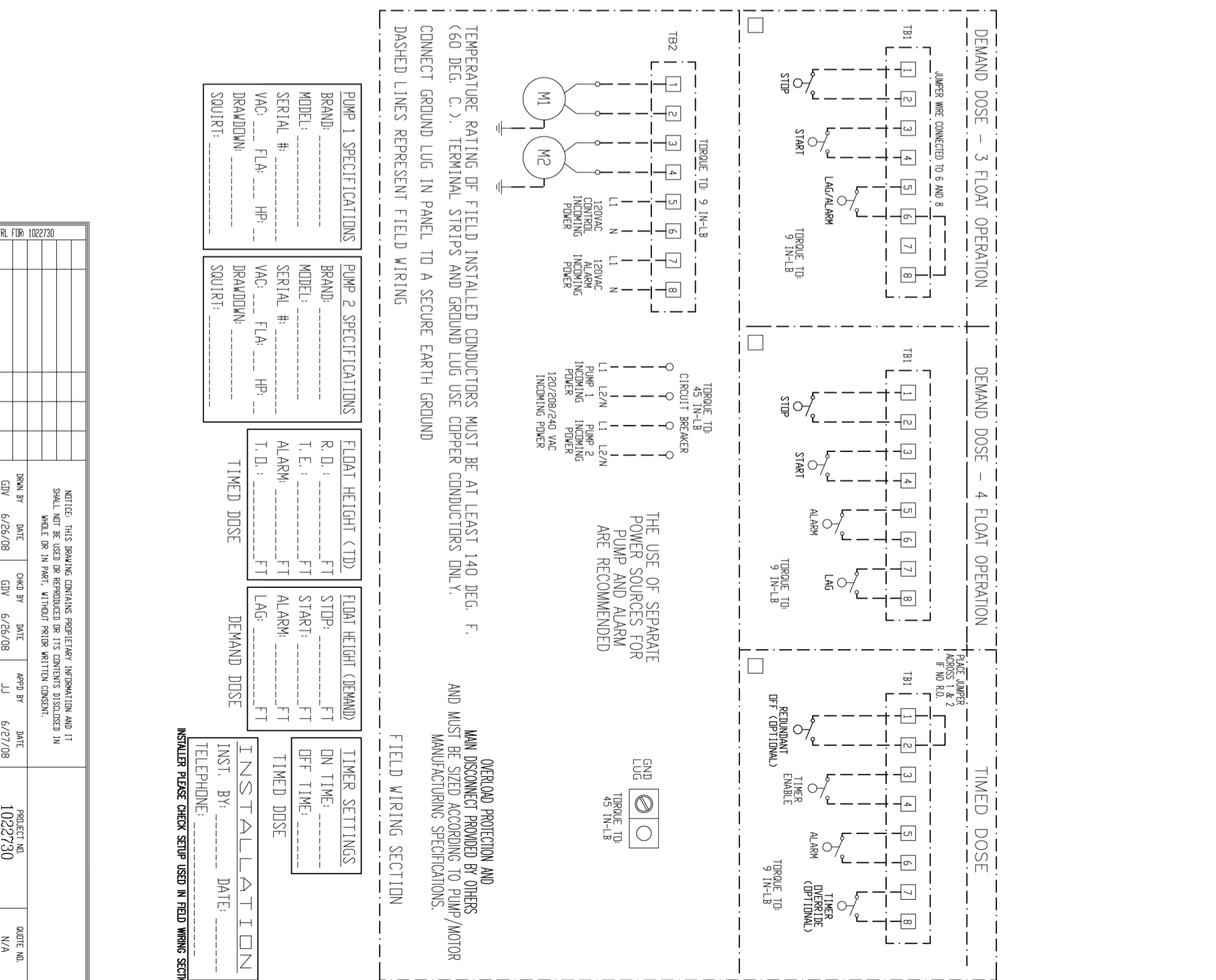


SETUP INSTRUCTIONS FOR TIMED DOSE OR DEMAND DOSE

1. DISCONNECT POWER TO THE PANEL.
2. LOCATE DIP SWITCH WINDOW ON INNER DOOR LABEL. PLACE DIP SWITCH IN DESIRED POSITION AS SHOWN.
3. SEE FIELD WIRING SECTION FOR FLOAT HOOKUP AND CHECK BOX FOR SETUP USED.
4. RECONNECT POWER TO THE PANEL.
5. AFTER PANEL HAS INITIALIZED PRESS THE 'NEXT' BUTTON ONCE ON INNER DOOR TO CONFIRM T-DOSE (TIMED DOSE) OR D-DOSE (DEMAND DOSE).



100
101
102
103
104
105
106
107
108
109
110
111
112
113
114
115
116
117
118
119
120
121
122
123
124
125
126
127
128
129
130
131
132
133
134
135
136
137
138
139
140



141
142
143
144
145
146
147
148
149
150
151
152
153
154
155
156
157
158
159
160
161
162
163
164
165
166
167
168
169
170
171
172
173
174
175
176
177
178
179
180
181

PUMP 1 SPECIFICATIONS BRAND: _____ MODEL: _____ SERIAL #: _____ VAC: ____ FLA: ____ HP: ____ DRAWDOWN: _____ SQUIRT: _____		PUMP 2 SPECIFICATIONS BRAND: _____ MODEL: _____ SERIAL #: _____ VAC: ____ FLA: ____ HP: ____ DRAWDOWN: _____ SQUIRT: _____	
FLOAT HEIGHT (TDD) R. D.: _____ FT T. E.: _____ FT ALARM: _____ FT T. D.: _____ FT		FLOAT HEIGHT (DEMAND) STOP: _____ FT START: _____ FT ALARM: _____ FT LAG: _____ FT	
TIMED DOSE		DEMAND DOSE	
TIMER SETTINGS ON TIME: _____ OFF TIME: _____		TIMED DOSE	

OVERLOAD PROTECTION AND MAIN DISCONNECT PROVIDED BY OTHERS AND MUST BE SIZED ACCORDING TO PUMP/MOTOR MANUFACTURING SPECIFICATIONS.

FIELD WIRING SECTION

INSTALLER PLEASE CHECK SETUP USED IN FIELD WIRING SECTION

NOTICE: THIS DRAWING CONTAINS PROPRIETARY INFORMATION AND IT SHALL NOT BE USED OR REPRODUCED OR ITS CONTENTS DISCLOSED IN WHOLE OR IN PART, WITHOUT PRIOR WRITTEN CONSENT.

REV. CTRNL FOR: 1022730	BRN BY: DATE	CHKD BY: DATE	APPD BY: DATE	PROJECT NO: 1022730	QUOTE NO: N/A	REV: A
REV: A	6/26/08	6/26/08	6/27/08	1 of 1	N/A	
ECO NO: 4049	DATE: 6/26/08	DATE: 6/26/08	DATE: 6/27/08	SCALE: 1/8" = 1'-0"		
	APPD: N/A	APPD: N/A	APPD: JJ			