

MODEL 312 Control Panel

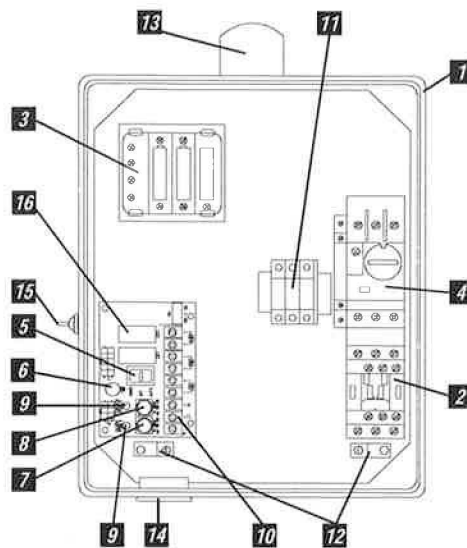
Three phase, simplex motor contactor control.

The Model 312 control panel provides industrial and commercial customers with a reliable means of controlling one three phase pump in water and sewage installations. Two control switches activate a IEC motor contactor to turn the pump on and off. If an alarm condition occurs, an additional alarm switch activates the audio/visual alarm system. Common applications include pump chambers, irrigation systems, and lift stations.

PANEL COMPONENTS

1. **Enclosure** measures 12 x 10 x 6 inches (30.48 x 25.40 x 15.24 cm). NEMA 4X (ultraviolet stabilized thermoplastic with removable mounting feet for outdoor or indoor use).
2. **IEC Motor Contactor** controls pump by switching electrical lines.
3. **Multi-Tap Transformer** (208/240/480 VAC primary) provides 120V control/ alarm voltage.
4. **Motor Protective Switch** provides adjustable overload, branch circuit protection and pump disconnect.
5. **HOA Switch** for manual pump control (mounted on circuit board).
6. **Green Pump Run Indicator Light** mounted on circuit board.
7. **Alarm Fuse** (mounted on circuit board).
8. **Control Fuse** (mounted on circuit board).
9. **Alarm and Control Power Indicators** (mounted on circuit board).
10. **Float Switch Terminal Block** (mounted on circuit board).
11. **Input Power Terminal Block**
12. **Ground Lugs**

NOTE: Schematic/Wiring Diagram is located inside the panel on enclosure cover.



Model Shown 3121W511X

STANDARD ALARM PACKAGE

13. **Red Alarm Beacon** provides 360° visual check of alarm condition.
14. **Alarm Horn** provides audio warning of alarm condition (83 to 85 decibel rating).
15. **Exterior Alarm Test/Normal/Silence Switch** allows horn and light to be tested and horn to be silenced in an alarm condition. Alarm automatically resets once alarm condition is cleared.
16. **Horn Silence Relay** (mounted on circuit board).

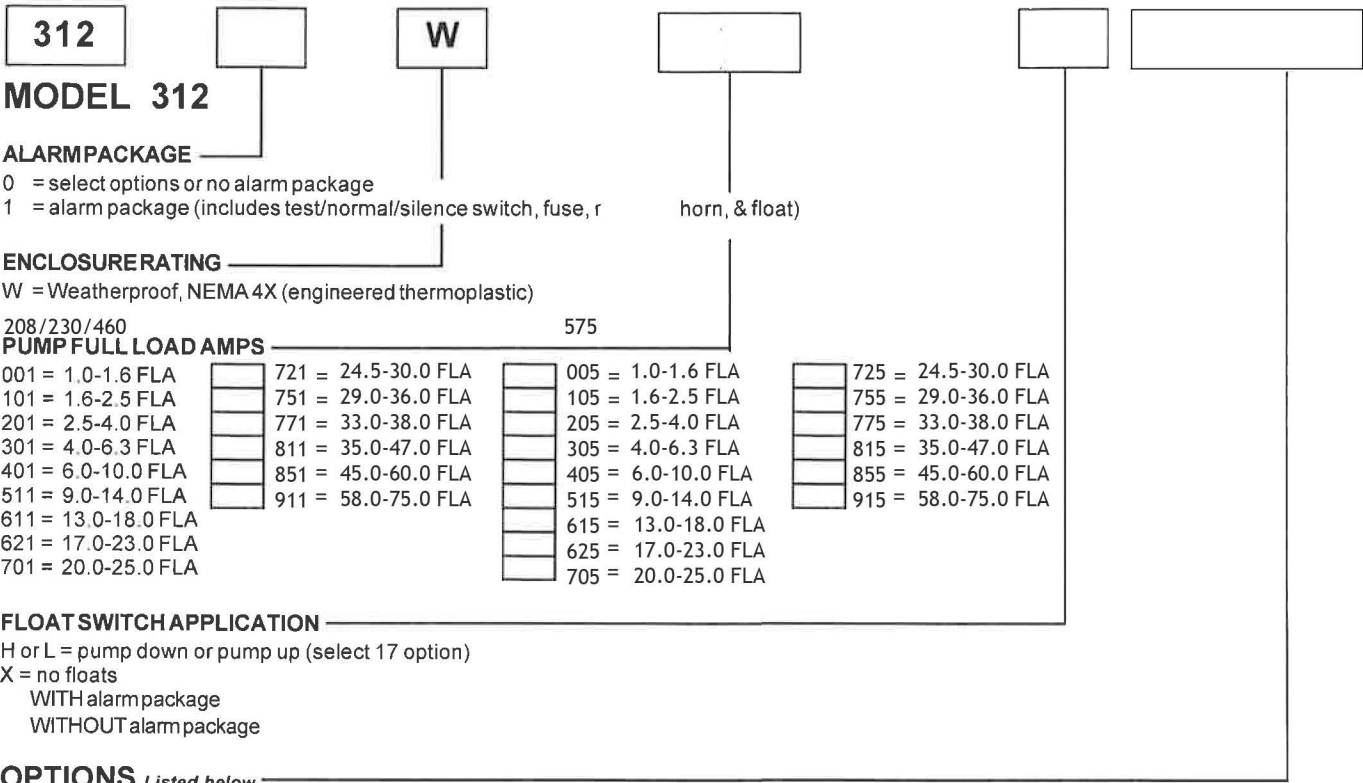
NOTE: other options available.



FEATURES

- Entire control system (panel and switches) is UL Listed to meet and/or exceed industry safety standards
- Dual safety certification for the United States and Canada
- Standard package includes three 20' SignalMaster® control switches
- Complete with step-by-step installation instructions
- Three-year limited warranty

SEE BACKSIDE FOR COMPLETE LISTING OF AVAILABLE OPTIONS.
SEE PRICE BOOK FOR LIST PRICE.



MODEL 312

ALARMPACKAGE

- 0 = select options or no alarm package
- 1 = alarm package (includes test/normal/silence switch, fuse, r horn, & float)

- ENCLOSURE RATING**
- W = Weatherproof, NEMA 4X (engineered thermoplastic)

PUMP FULL LOAD AMPS 575

- | | | | |
|--|--|--|--|
| <input type="checkbox"/> 001 = 1.0-1.6 FLA | <input type="checkbox"/> 721 = 24.5-30.0 FLA | <input type="checkbox"/> 005 = 1.0-1.6 FLA | <input type="checkbox"/> 725 = 24.5-30.0 FLA |
| <input type="checkbox"/> 101 = 1.6-2.5 FLA | <input type="checkbox"/> 751 = 29.0-36.0 FLA | <input type="checkbox"/> 105 = 1.6-2.5 FLA | <input type="checkbox"/> 755 = 29.0-36.0 FLA |
| <input type="checkbox"/> 201 = 2.5-4.0 FLA | <input type="checkbox"/> 771 = 33.0-38.0 FLA | <input type="checkbox"/> 205 = 2.5-4.0 FLA | <input type="checkbox"/> 775 = 33.0-38.0 FLA |
| <input type="checkbox"/> 301 = 4.0-6.3 FLA | <input type="checkbox"/> 811 = 35.0-47.0 FLA | <input type="checkbox"/> 305 = 4.0-6.3 FLA | <input type="checkbox"/> 815 = 35.0-47.0 FLA |
| <input type="checkbox"/> 401 = 6.0-10.0 FLA | <input type="checkbox"/> 851 = 45.0-60.0 FLA | <input type="checkbox"/> 405 = 6.0-10.0 FLA | <input type="checkbox"/> 855 = 45.0-60.0 FLA |
| <input type="checkbox"/> 511 = 9.0-14.0 FLA | <input type="checkbox"/> 911 = 58.0-75.0 FLA | <input type="checkbox"/> 515 = 9.0-14.0 FLA | <input type="checkbox"/> 915 = 58.0-75.0 FLA |
| <input type="checkbox"/> 611 = 13.0-18.0 FLA | | <input type="checkbox"/> 615 = 13.0-18.0 FLA | |
| <input type="checkbox"/> 621 = 17.0-23.0 FLA | | <input type="checkbox"/> 625 = 17.0-23.0 FLA | |
| <input type="checkbox"/> 701 = 20.0-25.0 FLA | | <input type="checkbox"/> 705 = 20.0-25.0 FLA | |

FLOAT SWITCH APPLICATION

- H or L = pump down or pump up (select 17 option)
- X = no floats
 - WITH alarm package
 - WITHOUT alarm package

OPTIONS *Listed below*

- | CODE | DESCRIPTION | CODE | DESCRIPTION |
|-------------------------------|--|------------------------------|--|
| <input type="checkbox"/> 1A | Red beacon only / no audio
<i>(must select 1E if floats included)</i> | <input type="checkbox"/> 11C | NEMA 1 alarm panel <i>(must select option 6A)</i> |
| <input type="checkbox"/> 1C | Horn only / no visual
<i>(must select 1E if floats included)</i> | <input type="checkbox"/> 11D | NEMA 4X alarm panel <i>(must select option 6A)</i> |
| <input type="checkbox"/> 1E | Alarm float | <input type="checkbox"/> 14B | Main Disconnect <i>(14X12 enclosure upgrade)</i>
<i>(rotary style, mounted through door, non-fused)</i> |
| <input type="checkbox"/> 3A | Alarm flasher | <input type="checkbox"/> 16A | 10' cord in lieu of 20' <i>(per float)</i> |
| <input type="checkbox"/> 3B | Manual alarm reset | <input type="checkbox"/> 16B | 15' cord in lieu of 20' <i>(per float)</i> |
| <input type="checkbox"/> 4A | Redundant off
<i>(select option 4D if floats included)</i> | <input type="checkbox"/> 16C | 30' cord in lieu of 20' <i>(per float)</i> |
| <input type="checkbox"/> 4B | Red redundant off indicator & alarm activation
<i>(must select 4A also)</i> | <input type="checkbox"/> 16D | 40' cord in lieu of 20' <i>(per float)</i> |
| <input type="checkbox"/> 4D | Redundant off float
<i>(must select 4A option) (select 17 option)</i> | <input type="checkbox"/> 17A | SignalMaster® / mounting strap ● <i>(per float)</i> |
| <input type="checkbox"/> 5A | Thermal cutout/heat sensor auto reset (for pumps w/thermal switch leads) | <input type="checkbox"/> 17B | SignalMaster® / externally weighted ● <i>(per float)</i> |
| <input type="checkbox"/> 5E | Seal failure circuit & red indicator (2 wire) | <input type="checkbox"/> 17C | Sensor Float® / internally weighted ▲ <i>(per float)</i> |
| <input type="checkbox"/> 6A | Auxiliary alarm contact, form C | <input type="checkbox"/> 17D | Sensor Float® / externally weighted ▲ <i>(per float)</i> |
| <input type="checkbox"/> 8A | Elapsed time meter | <input type="checkbox"/> 17E | Sensor Float® Mini / pipe clamp ▲ <i>(per float)</i> |
| <input type="checkbox"/> 8C | Event (cycle) counter | <input type="checkbox"/> 17F | Sensor Float® Mini / externally weighted ▲ <i>(per float)</i> |
| <input type="checkbox"/> *10A | Clear inner swing-out door w/dead front
<i>(lights and switches mounted on inner door)</i>
<i>*Panels ordered with this option cannot be returned.</i> | <input type="checkbox"/> 17J | Sensor Float® / pipe clamp ▲ <i>(per float)</i> |
| <input type="checkbox"/> 10E | Lockable latch - NEMA 4X | <input type="checkbox"/> 19T | TOA (Test/Off/Automatic) switch and pump run light through door mounted |
| <input type="checkbox"/> 10G | Lightning arrester | <input type="checkbox"/> 19U | HOA (Hand/Off/Automatic) switch and pump run light through door mounted |
| <input type="checkbox"/> 10K | Anti-condensation heater | <input type="checkbox"/> 19X | Door mounted pump run indicator |
| | | <input type="checkbox"/> 21A | PumpMaster® in lieu of on/off switches ● |
| | | <input type="checkbox"/> 21B | PumpMaster® Plus in lieu of on/off switches ● |
| | | <input type="checkbox"/> 21C | Super Single® in lieu of on/off switches ▲ |
| | | <input type="checkbox"/> 21D | Double Float® in lieu of on/off switches ▲ |
- Mechanically-activated ▲ Mercury-activated

If additional features are required, call the factory for a quote on an Engineered Custom control panel.

SAMPLE

