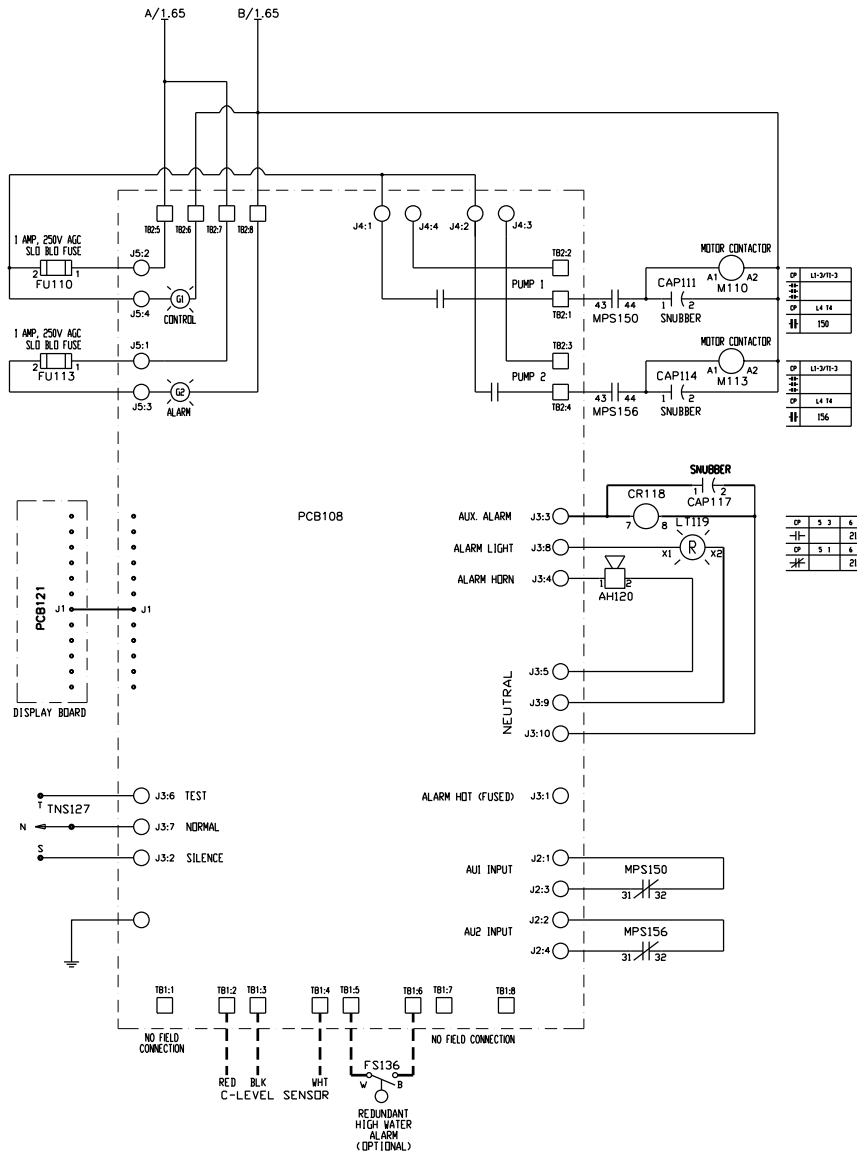


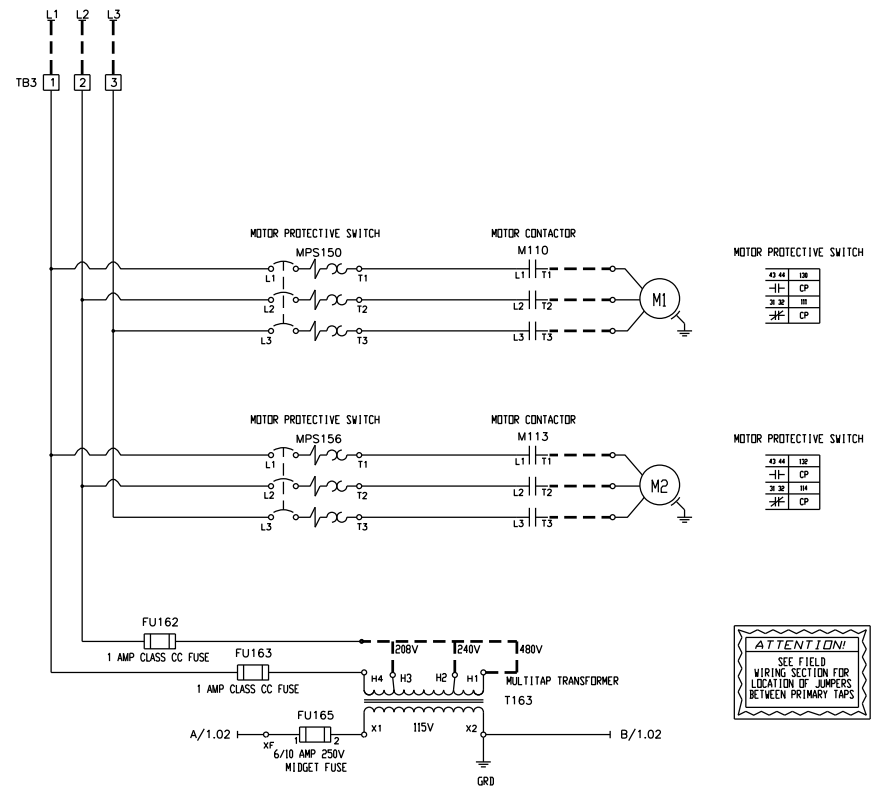
100  
101  
102  
103  
104  
105  
106  
107  
108  
109  
110  
111  
112  
113  
114  
115  
116  
117  
118  
119  
120  
121  
122  
123  
124  
125  
126  
127  
128  
129  
130  
131  
132  
133  
134  
135  
136  
137  
138  
139  
140



OP	U-310-3
CP	L4 14
HP	156

OP	5 3	6 4
CP	5 1	8 2
HP	215	215

141  
142  
143  
144  
145  
146  
147  
148  
149  
150  
151  
152  
153  
154  
155  
156  
157  
158  
159  
160  
161  
162  
163  
164  
165  
166  
167  
168  
169  
170  
171  
172  
173  
174  
175  
176  
177  
178  
179  
180  
181



MOTOR PROTECTIVE SWITCH

OP	44	126
CP	11	CP
HP	32	31
HP	31	CP

MOTOR PROTECTIVE SWITCH

OP	44	126
CP	11	CP
HP	32	31
HP	31	CP

**ATTENTION!**  
SEE FIELD WIRING SECTION FOR LOCATION OF JUMPERS BETWEEN PRIMARY TAPS

**PUMP 1 SPECIFICATIONS**  
 BRAND: \_\_\_\_\_  
 MODEL: \_\_\_\_\_  
 SERIAL #: \_\_\_\_\_  
 VAC: \_\_\_ FLA: \_\_\_ HP: \_\_\_  
 DRAWDOWN: \_\_\_\_\_  
 SQUIRT: \_\_\_\_\_

**PUMP 2 SPECIFICATIONS**  
 BRAND: \_\_\_\_\_  
 MODEL: \_\_\_\_\_  
 SERIAL #: \_\_\_\_\_  
 VAC: \_\_\_ FLA: \_\_\_ HP: \_\_\_  
 DRAWDOWN: \_\_\_\_\_  
 SQUIRT: \_\_\_\_\_

**SET POINTS (DEMAND)**  
 STOP: \_\_\_\_\_ IN  
 START: \_\_\_\_\_ IN  
 ALARM: \_\_\_\_\_ IN  
 LAG: \_\_\_\_\_ IN

**INSTALLATION**  
 INST. BY: \_\_\_\_\_ DATE: \_\_\_\_\_  
 TELEPHONE: \_\_\_\_\_

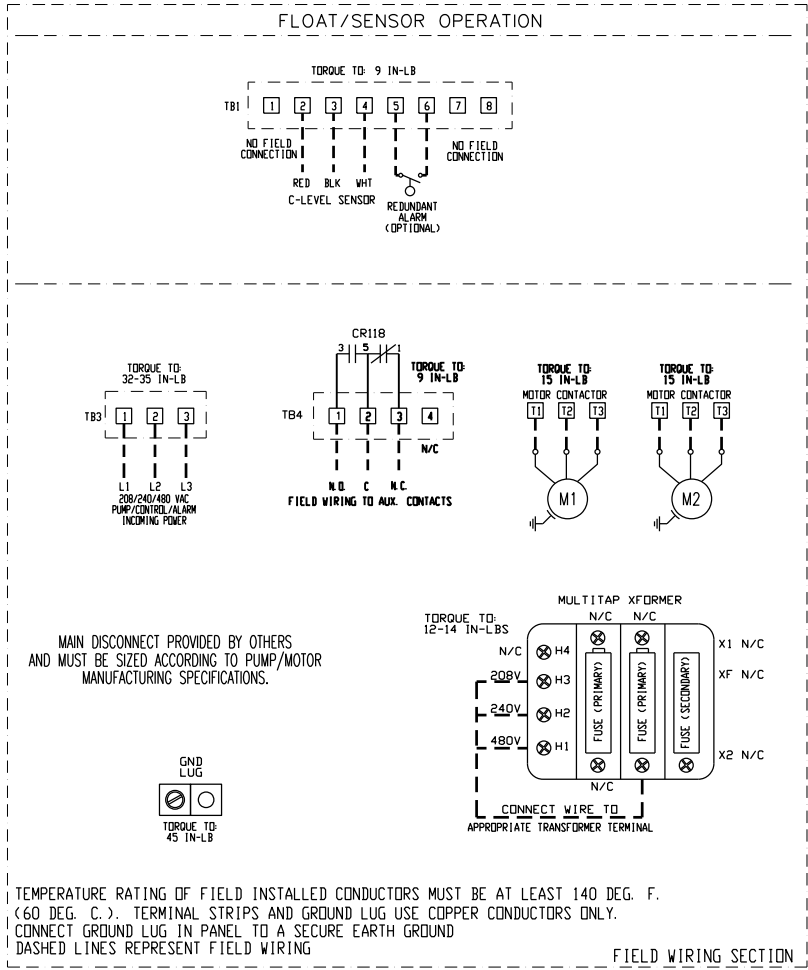
ENCL	BP	ENVL	LIT
24*	L.BLS	G-LUCK-TRA	

NOTICE: THIS DRAWING CONTAINS PROPRIETARY INFORMATION AND IT SHALL NOT BE USED OR REPRODUCED OR ITS CONTENTS DISCLOSED IN WHOLE OR IN PART, WITHOUT PRIOR WRITTEN CONSENT.				PROJECT NO. P15805		QUOTE NO. N/A	REV. A		
DRN BY	DATE	CHKD BY	DATE	APPD BY	DATE	TITLE			
ACB	6/20/13	ACB	6/20/13	CM	6/20/13	F561W401C68AC24F			
REV	ECO NO.	DATE	DRWN	APPD	DEM NAME	DEM P/N	PAGE	SCALE	DWG SIZE
					FLO FAB	N/A	1 of 2	NONE	D

**SJE Rhombus**

200  
201  
202  
203  
204  
205  
206  
207  
208  
209  
210  
211  
212  
213  
214  
215  
216  
217  
218  
219  
220  
221  
222  
223  
224  
225  
226  
227  
228  
229  
230  
231  
232  
233  
234  
235  
236  
237  
238  
239  
240

241  
242  
243  
244  
245  
246  
247  
248  
249  
250  
251  
252  
253  
254  
255  
256  
257  
258  
259  
260  
261  
262  
263  
264  
265  
266  
267  
268  
269  
270  
271  
272  
273  
274  
275  
276  
277  
278  
279  
280  
281



REV. CONTROL P15805		NOTICE: THIS DRAWING CONTAINS PROPRIETARY INFORMATION AND IT SHALL NOT BE USED OR REPRODUCED OR ITS CONTENTS DISCLOSED IN WHOLE OR IN PART, WITHOUT PRIOR WRITTEN CONSENT.				PROJECT NO. P15805		QUOTE NO. N/A	REV. A	
DRWN BY	DATE	CHKD BY	DATE	APPD BY	DATE					
ACB	6/20/13	ACB	6/20/13	CM	6/20/13					
REV.	ECD NO.	DATE	DRWN	APPD	DEM NAME	DEM P/N	PAGE	SCALE	DRG SIZE	TITLE
					FLO FAB	N/A	2 of 2	NONE	D	IFS61W401C68A8C24F

