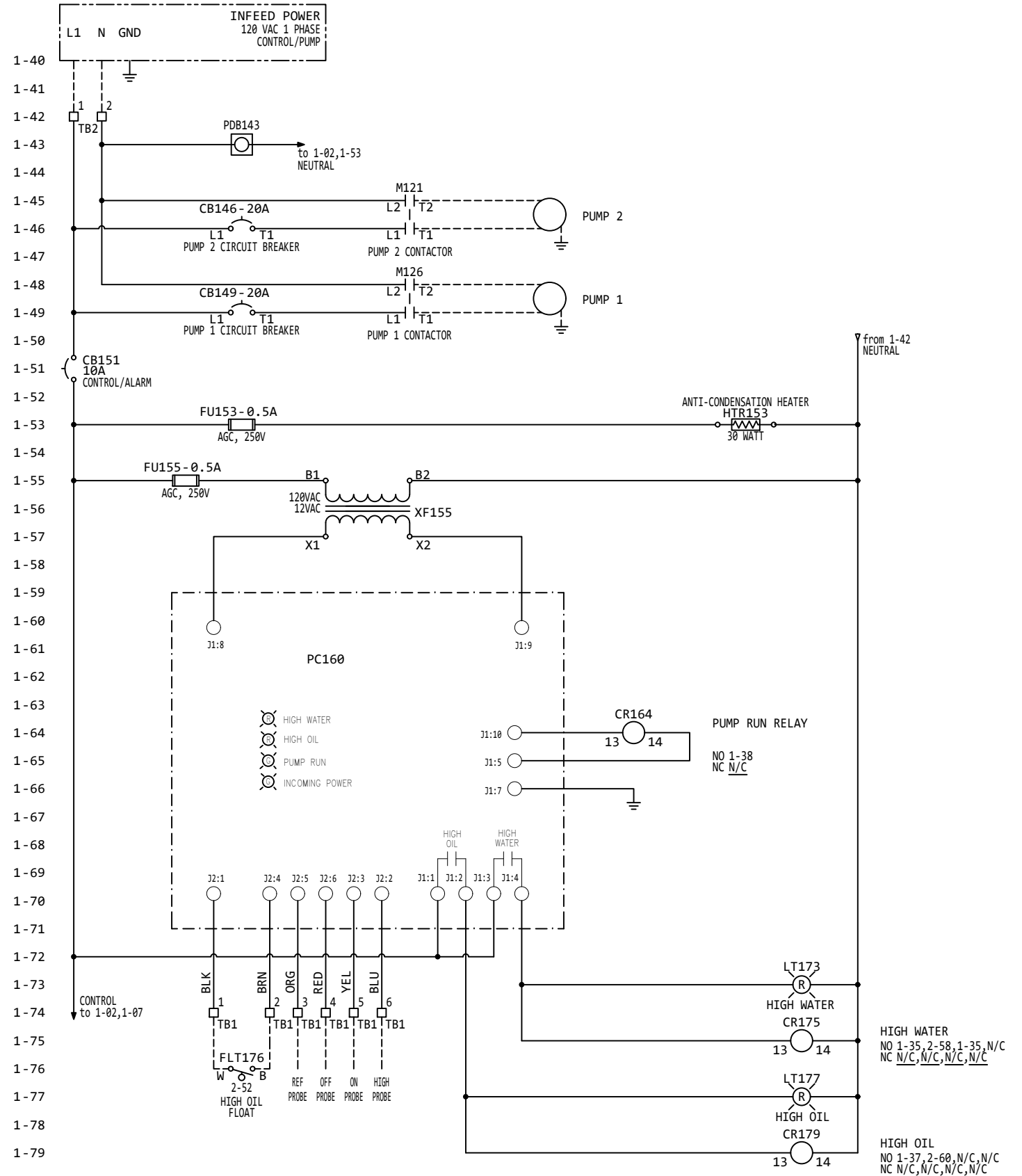
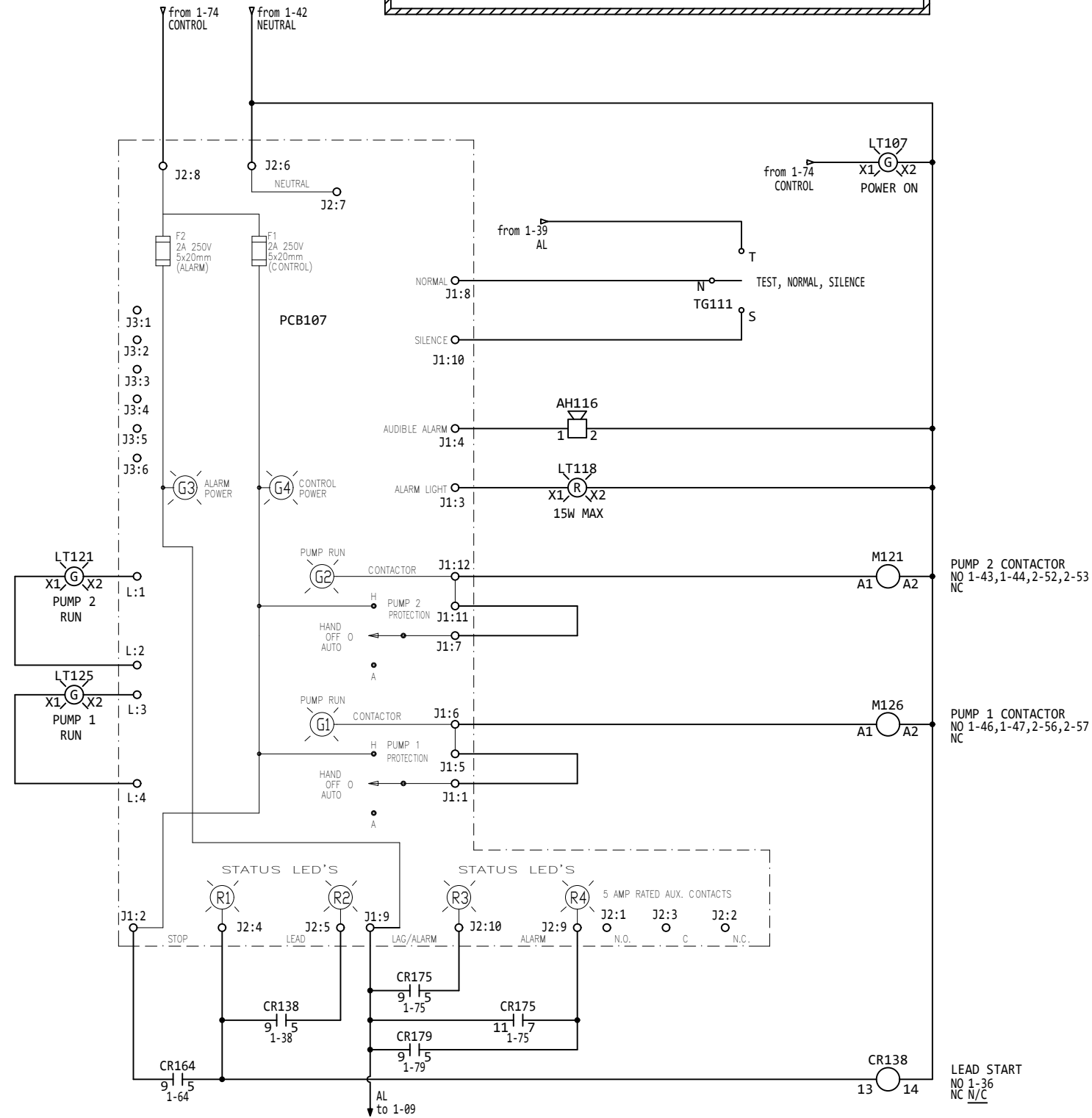


**SUBMITTAL PURPOSES ONLY!
NOT APPROVED FOR PRODUCTION!**

1-00
1-01
1-02
1-03
1-04
1-05
1-06
1-07
1-08
1-09
1-10
1-11
1-12
1-13
1-14
1-15
1-16
1-17
1-18
1-19
1-20
1-21
1-22
1-23
1-24
1-25
1-26
1-27
1-28
1-29
1-30
1-31
1-32
1-33
1-34
1-35
1-36
1-37
1-38
1-39



THIS DRAWING CONTAINS PROPRIETARY INFORMATION WHICH MUST NOT BE DUPLICATED, USED, OR DISCLOSED IN WHOLE OR IN PART WITHOUT PRIOR WRITTEN CONSENT.						REV CNTR FOR: BP2136	FLO FAB		IFS DESCRIPTION 1221W914H6A10K15A16A19XZ27F						
											DRAWN BY MCH	DATE 12/7/17	PROJECT NUMBER BP2162	SHEET NUMBER 1 OF 2	REV A
											APPROVED BY	DATE			
NO. REVISION HISTORY						DATE	BY	DATE	APPR						

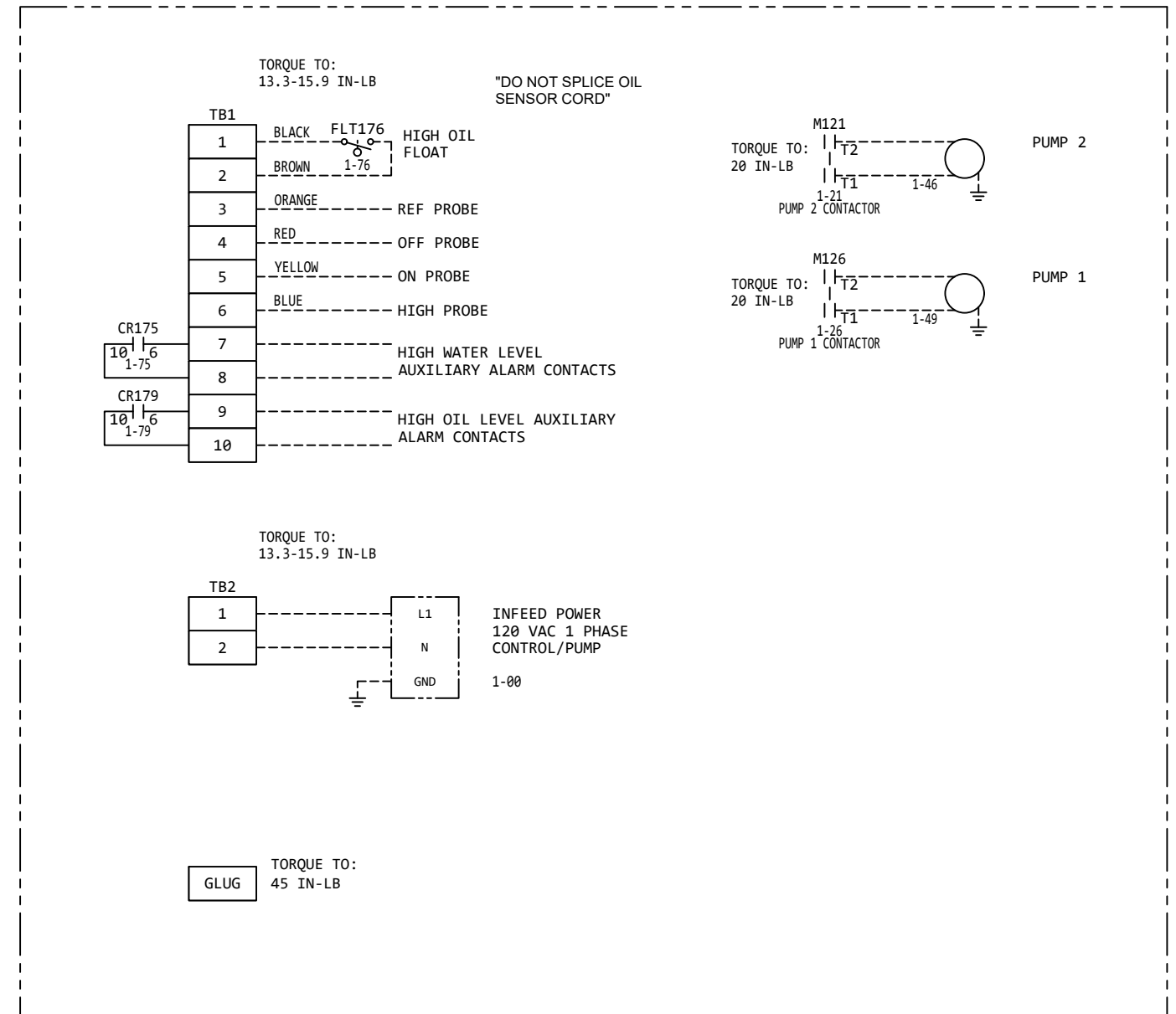
2-00
2-01
2-02
2-03
2-04
2-05
2-06
2-07
2-08
2-09
2-10
2-11
2-12
2-13
2-14
2-15
2-16
2-17
2-18
2-19
2-20
2-21
2-22
2-23
2-24
2-25
2-26
2-27
2-28
2-29
2-30
2-31
2-32
2-33
2-34
2-35
2-36
2-37
2-38
2-39

SUBMITTAL PURPOSES ONLY!
NOT APPROVED FOR PRODUCTION!

2-40
2-41
2-42
2-43
2-44
2-45
2-46
2-47
2-48
2-49
2-50
2-51
2-52
2-53
2-54
2-55
2-56
2-57
2-58
2-59
2-60
2-61
2-62
2-63
2-64
2-65
2-66
2-67
2-68
2-69
2-70
2-71
2-72
2-73
2-74
2-75
2-76
2-77
2-78
2-79

- NOTES:
1. FIELD WIRING IS SHOWN -----
 2. TEMPERATURE RATING OF FIELD INSTALLED CONDUCTORS MUST BE AT LEAST 140° F. (60° C.).
 3. FIELD WIRING WILL ACCEPT COPPER CONDUCTORS ONLY.
 4. CONNECT GROUND LUG IN PANEL TO A SECURE EARTH GROUND.
 5. THE USE OF SEPARATE POWER SOURCES FOR PUMP AND ALARM ARE RECOMMENDED.
 6. OVERLOAD PROTECTION, MAIN DISCONNECT AND OVER CURRENT PROTECTION OF INCOMING FEEDER CIRCUIT PROVIDED BY OTHERS AND MUST BE SIZED ACCORDING TO THE PUMP/MOTOR MANUFACTURER SPECIFICATIONS.
 7. INSTALLER MUST PROVIDE FOR THE CONTROL CIRCUIT AN INVERSE TIME CIRCUIT BREAKER NOT TO EXCEED 20 AMPS FOR BRANCH CIRCUIT PROTECTION.

FIELD WIRING SECTION



THIS DRAWING CONTAINS PROPRIETARY INFORMATION WHICH MUST NOT BE DUPLICATED, USED, OR DISCLOSED IN WHOLE OR IN PART WITHOUT PRIOR WRITTEN CONSENT.						
A	N/A					
NO.	REVISION HISTORY	DATE	BY	DATE	APPR	

REV CNTR FOR:
BP2136

CONFIDENTIAL - PROPERTY OF
SJE Rhombus

FLO FAB

IFS DESCRIPTION
1221W914H6A10K15A16A19XZ27F

DRAWN BY
MCH

DATE
12/7/17

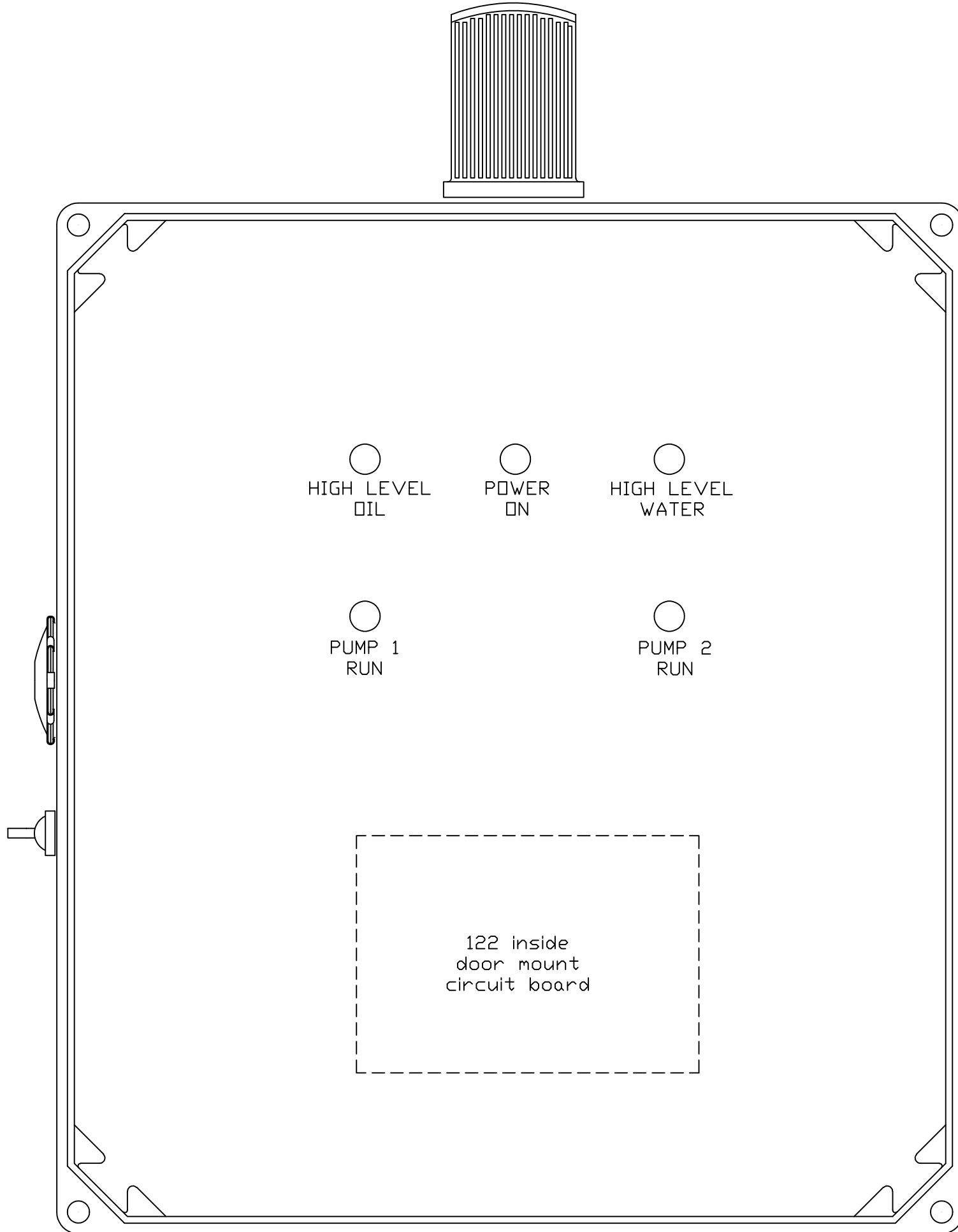
APPROVED BY

DATE

PROJECT NUMBER
BP2162

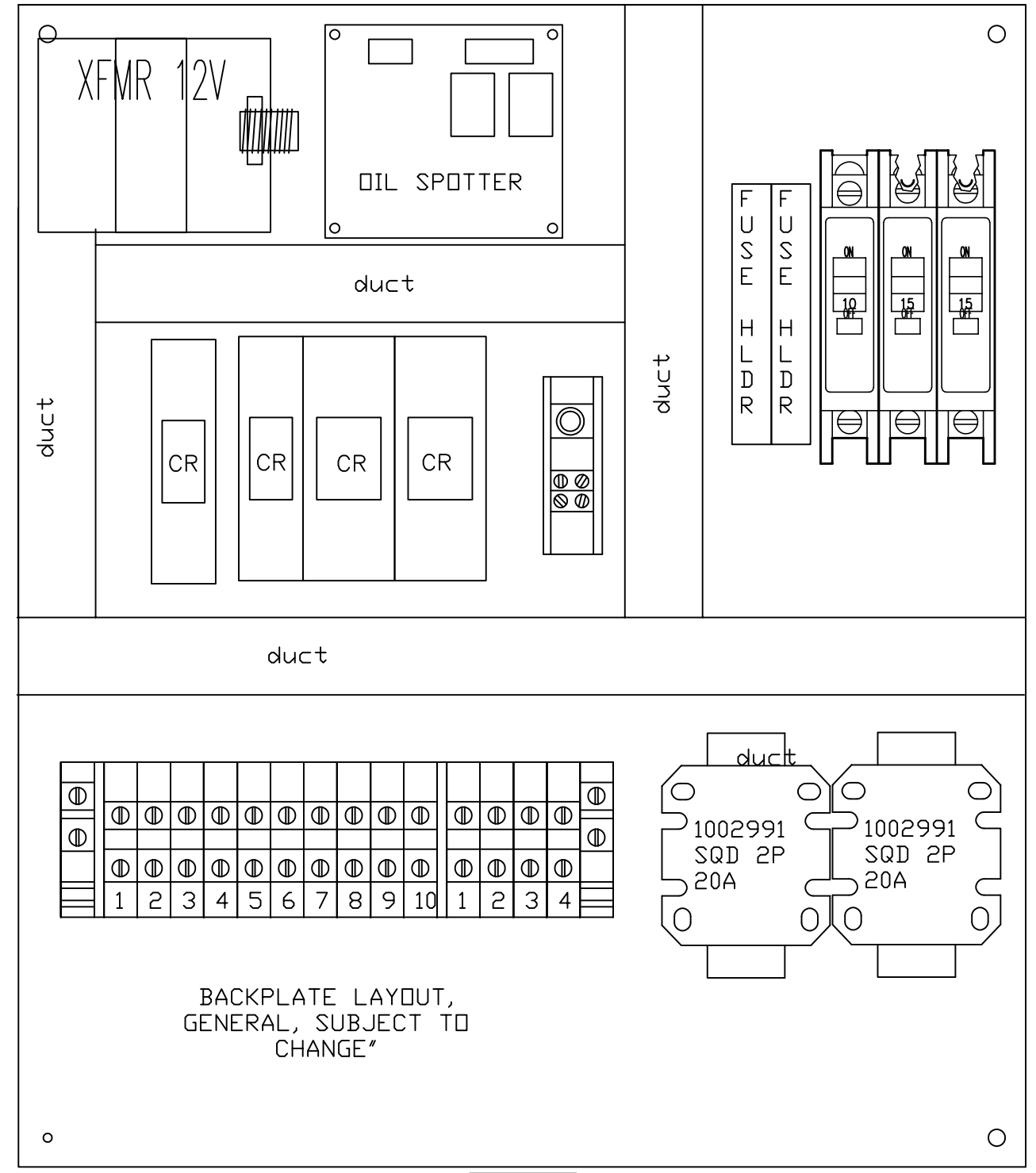
SHEET NUMBER
2 OF 2

REV
A



16"x14"
DOOR

GENERAL LAYOUT, SUBJECT TO CHANGE"



16"x14"
BACKPLATE

BACKPLATE LAYOUT,
GENERAL, SUBJECT TO
CHANGE"

TAGS	QTY	IFS	CATALOG	MANUFACTURER	DESCRIPTION	QUERY2	QUERY3
PCB107	1	1017348	1017348	SJE-RHOMBUS	KIT, PCB, HDWE, 122 BASE	122N	120V
PCB107	1	1017409	1017409	SJE-RHOMBUS	PCA,DPLX,19X	122N	120V
PCB107	1	1001452	39-01-2100	MOLEX	TERM,10 POS,HSG	CONNECTOR HOUSING	FEMALE CRIMP
PCB107	1	1008782	39-01-2120	MOLEX	TERM,12 POS,HSG	CONNECTOR HOUSING	FEMALE CRIMP
PC160	1	1001452	39-01-2100	SJE-RHOMBUS	TERM,10 POS,HSG	CRIMP HOUSING	94V
PC160	4	1012461	1813	SJE-RHOMBUS	SPCR,HEX,#6-32 X 5/8in ALUM		
PC160	1	1001453	39-01-2060	SJE-RHOMBUS	TERM,6 POS,HSG	CRIMP HOUSING	94V
PC160	1	1031464	1031464	SJE-RHOMBUS	PCA,OIL DETECTION	OIL	120V
ENCL N4X	1	1003393	1003393	CARLON	ENCLOSURE ASSEMBLY, CARLON, 16x14x6 IN, W/ SOLID DOOR	WALL-MOUNT ENCLOSURE	NEMA 4X
ENCL N4X	1	1002997	1002997	ACTION FABRICATING	BACK PLATE, CARLON, 16x14 IN, ALUMINUM	PANEL	ALUMINUM
HTR153	1	1004421	010040CIA	WATLOW	HEATER, SEMI-CONDUCTOR, SILICONE, 30W, 120VAC	HEATER	120VAC, 30W
PDB143	1	1024530	1411400	MARATHON	POWER DISTRIBUTION BLOCK, 1-POLE	1x 14-2	4x 18-10
TB1,TB2	12	1038973	3044131	PHOENIX CONTACT	UNIVERSAL TERMINAL BLOCK - UT 6	FEED-THROUGH	57AMPS
G-LUG =>20	3	1001205	TA-6-S	IILSCO	GROUND LUG, ALUMINIUM, LUG SIZE 0	GROUND LUG	1x 14-4
CB151	1	1003024	QOU110	SCHNEIDER ELECTRIC	MINIATURE CIRCUIT BREAKER QOU - 1 POLE - 10A	1-POLE MINIATURE CIRCUIT BREAKER	10AMP
CB146,CB149	2	1006488	QOU120	SCHNEIDER ELECTRIC	MINIATURE CIRCUIT BREAKER QOU - 1 POLE - 20A	1-POLE MINIATURE CIRCUIT BREAKER	20AMP
M121,M126	2	1002991	8910DP12V02Y181 Y248	SQD	CONTACTOR, DEFINITE PURPOSE - 2P 20A - COIL 120VAC	CONTACTOR	20AMPS, 120VAC
XTRA	1	1017356	4628C	KEYSTONE	HLDR,FUSE,PCB,CVR,5X20mm,TH	PCB	5MM
XTRA	1	1004736	BK/GMA-2A	BUSSMANN	FUSE, 250V, 2A, FAST, 5X20MM	FAST ACTING, GLASS TUBE WITH NICKEL-	250VAC
FU153,FU155	2	1009107	AGC-1/2	BUSSMANN	FUSE - AGC, 1/4" - 1 1/4", 0.5AMP, 250VAC	FAST ACTING, GLASS TUBE WITH NICKEL-	250VAC
FU155	1	1049089	3004171	PHOENIX CONTACT	FUSE HOLDER, 500V, 10A, 1 1/4" - 1/4", SINGLE, RAIL MOUNT	FUSE HOLDER	10A MAX
FLT176	1	R1032767	R1032767	SJE-RHOMBUS	OIL SENSOR PROBE UNIT I-H	PROBE	

TAGS	QTY	IFS	CATALOG	MANUFACTURER	DESCRIPTION	QUERY2	QUERY3
XF155	1	1032203	BD2E	SQD	XFMR, 120:12 VAC 20 VA CLASS II	CONTROL TRANSFORMER	20VA
CR138,CR164	2	1024325	RPZF1	SCHNEIDER ELECTRIC	SOCKET FOR RELAYS TYPE RPM	TYPE RPM	SOCKET
CR164	1	1024303	RPM12JD	SCHNEIDER ELECTRIC	PLUG-IN POWER RELAY, TYPE RPM, SOCKET RPZF1, WITH LED	TYPE RPM	12VDC
CR175,CR179	2	1030215	RXZE2M114	SCHNEIDER ELECTRIC	SOCKET FOR RELAYS TYPE RXM W/SCREW CLAMP TERMINALS	TYPE RXM	SOCKET
CR175,CR179	2	1030214	RXM4AB2F7	SCHNEIDER ELECTRIC	PLUG-IN MINIATURE RELAY, TYPE RXM, SOCKET RXZE2M114, WITH LED	TYPE RXM	120VAC
CR138	1	1024306	RPM12F7	SCHNEIDER ELECTRIC	PLUG-IN POWER RELAY, TYPE RPM, SOCKET RPZF1, WITH LED	TYPE RPM	120VAC
TG111	1	1002999	C1131-35-20 BLK	APM HEXSEAL	BOOT,SW,TGL MOIST PROT	20A	TOGGLE
TG111	1	1003291	6FC53-73	CARLING	SW,TGL,10A (ON)-OFF-(ON)	10A	TOGGLE
LT107,LT121,LT125	3	1001318	6012M5	CHIC-MIN	PILOT LIGHT, 120VAC, NEON - ROUND - GREEN LENS	NEON	120V
LT118	1	1024445	R15-MB	AC/DC	IND ASSY, ALM LGT, RED, ACDC	15W	120V
LT173,LT177	2	1003049	6010M1	CHIC-MIN	LGT,PIL NEON,120V RD IDI	LED	125V
AH116	1	1003442	16004146SSFRONT /4HOL_ASSY	WORLDWIDE TECHNOLOGIES	NEMA 4X ASSEMBLY, HORN, 83-85 dB, 120VAC,	120V	HORN