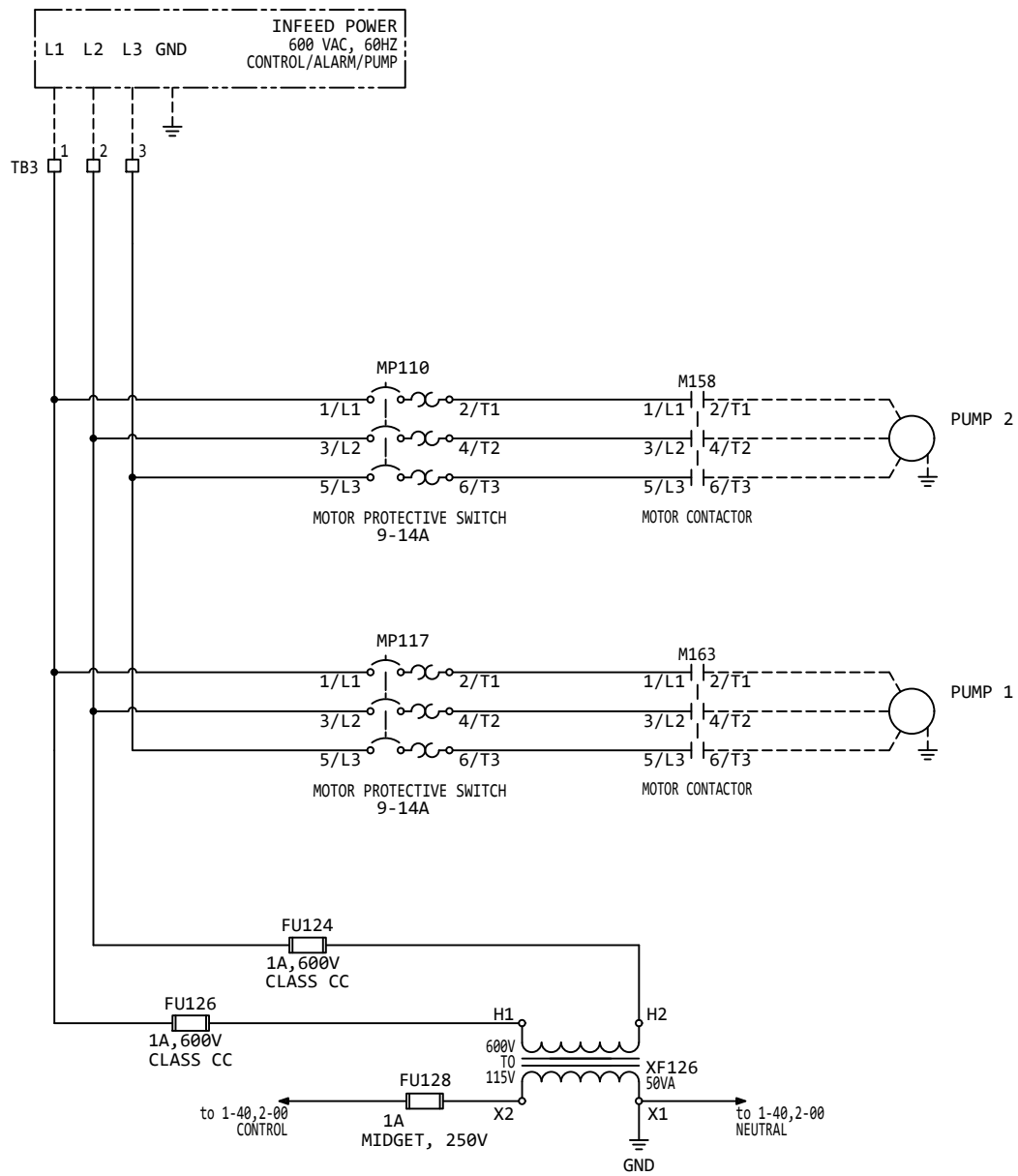
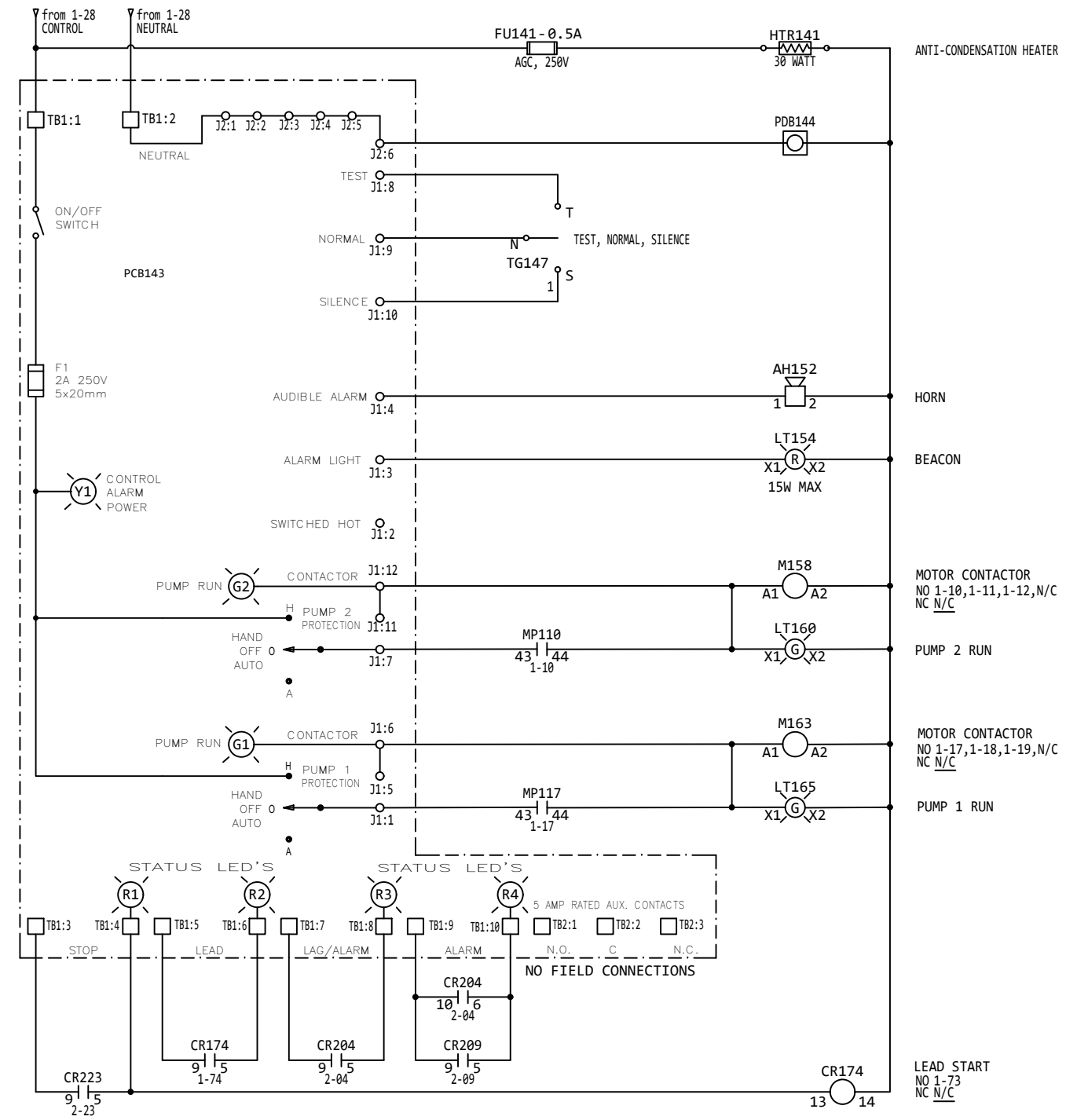


1-00
1-01
1-02
1-03
1-04
1-05
1-06
1-07
1-08
1-09
1-10
1-11
1-12
1-13
1-14
1-15
1-16
1-17
1-18
1-19
1-20
1-21
1-22
1-23
1-24
1-25
1-26
1-27
1-28
1-29
1-30
1-31
1-32
1-33
1-34
1-35
1-36
1-37
1-38
1-39



SUBMITTAL PURPOSES ONLY!
NOT APPROVED FOR PRODUCTION!

1-40
1-41
1-42
1-43
1-44
1-45
1-46
1-47
1-48
1-49
1-50
1-51
1-52
1-53
1-54
1-55
1-56
1-57
1-58
1-59
1-60
1-61
1-62
1-63
1-64
1-65
1-66
1-67
1-68
1-69
1-70
1-71
1-72
1-73
1-74
1-75
1-76
1-77
1-78
1-79

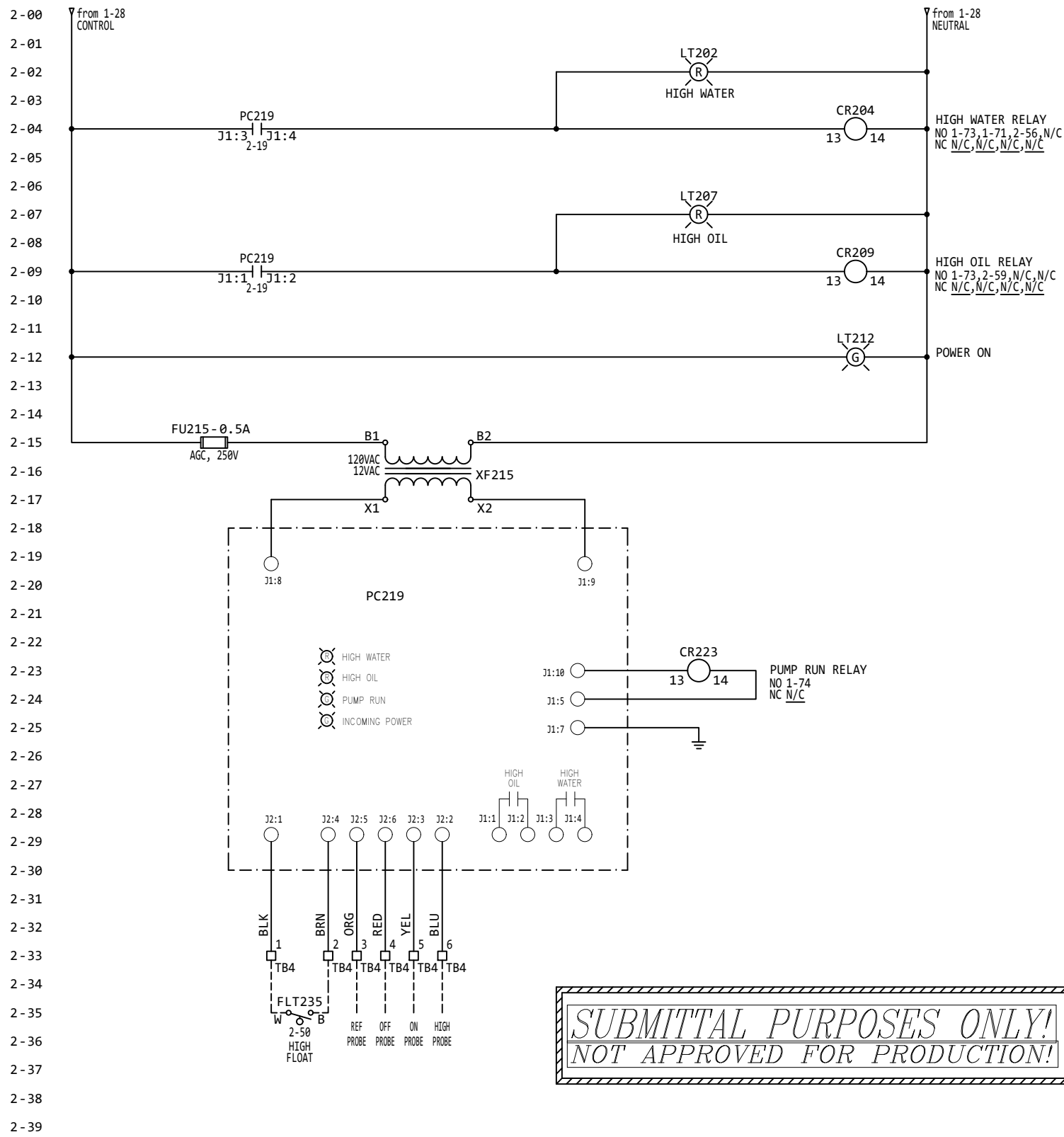


THIS DRAWING CONTAINS PROPRIETARY INFORMATION WHICH MUST NOT BE DUPLICATED, USED, OR DISCLOSED IN WHOLE OR IN PART WITHOUT PRIOR WRITTEN CONSENT.					
NO.	REVISION HISTORY	DATE	BY	DATE	APPR
A	N/A				

REV CNTR FOR:
BP2020

FLO FAB	
DRAWN BY MCH	DATE 12/8/17
APPROVED BY	DATE

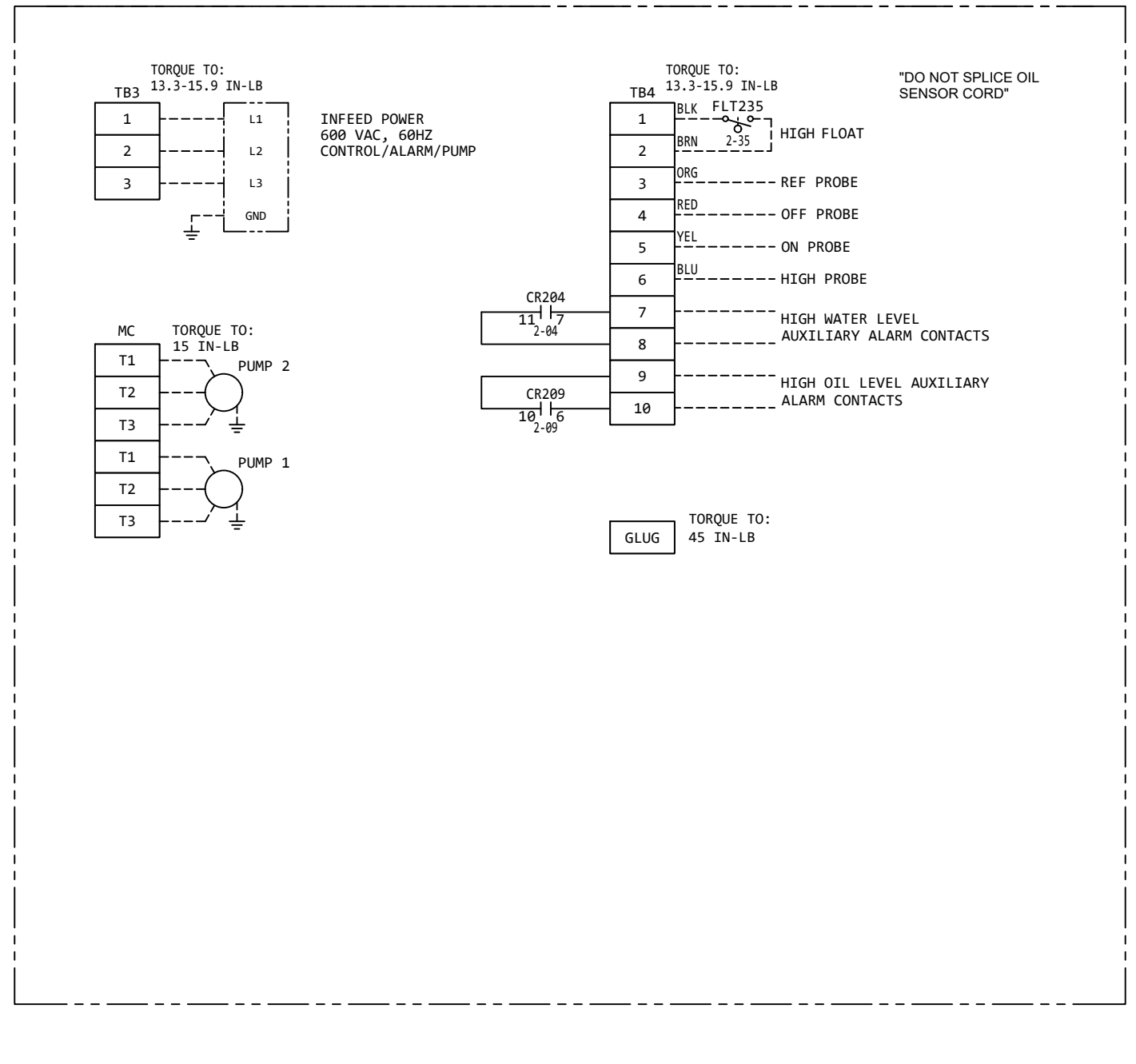
IFS DESCRIPTION 3221W515H6A10K16A19X27F	
PROJECT NUMBER BP2163	SHEET NUMBER 1 OF 2
	REV A



SUBMITTAL PURPOSES ONLY!
NOT APPROVED FOR PRODUCTION!

- 2-40 NOTES:
1. FIELD WIRING IS SHOWN -----
 2. TEMPERATURE RATING OF FIELD INSTALLED CONDUCTORS MUST BE AT LEAST 140° F. (60° C.).
 3. FIELD WIRING WILL ACCEPT COPPER CONDUCTORS ONLY.
 4. CONNECT GROUND LUG IN PANEL TO A SECURE EARTH GROUND.
 5. INSTALL IN ACCORDANCE WITH ARTICLE 409 OF THE NATIONAL ELECTRIC CODE.
 6. MAIN DISCONNECT AND OVERCURRENT PROTECTION OF INCOMING FEEDER CIRCUIT PROVIDED BY OTHERS AND MUST BE SIZED ACCORDING TO PUMP/MOTOR MANUFACTURING SPECIFICATIONS.

FIELD WIRING SECTION



THIS DRAWING CONTAINS PROPRIETARY INFORMATION WHICH MUST NOT BE DUPLICATED, USED, OR DISCLOSED IN WHOLE OR IN PART WITHOUT PRIOR WRITTEN CONSENT.					
NO.	REVISION HISTORY	DATE	BY	DATE	APPR
A	N/A				

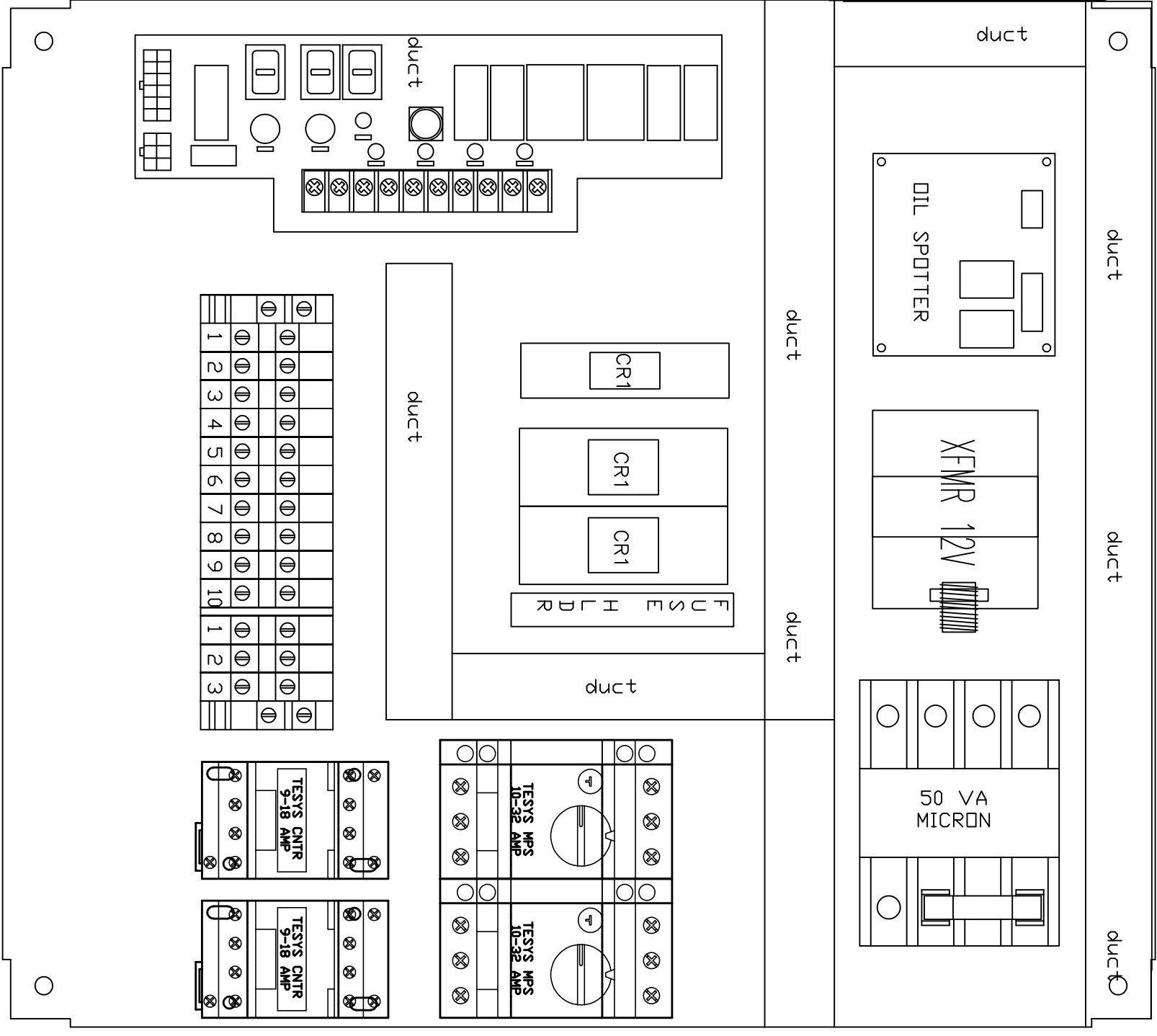
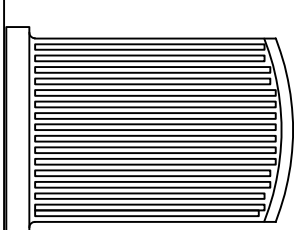
REV CNTR FOR: BP2020

CONFIDENTIAL - PROPERTY OF

SJE-Rhombus

FLO FAB	
DRAWN BY MCH	DATE 12/8/17
APPROVED BY	DATE

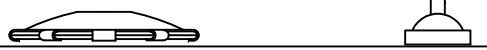
IFS DESCRIPTION 3221W515H6A10K16A19X27F		
PROJECT NUMBER BP2163	SHEET NUMBER 2 OF 2	REV A



18"x16"

○ HIGH LEVEL DIL
 ○ POWER ON
 ○ HIGH LEVEL WATER

○ PUMP 1 RUN
 ○ PUMP 2 RUN



GENERAL LAYOUT, SUBJECT TO CHANGE"

18"x16"
 DDDR

TAGS	QTY	IFS	CATALOG	MANUFACTURER	DESCRIPTION	QUERY2	QUERY3
PCB143	1	1008789	1008789	SJE-RHOMBUS	KIT, CKT, BRD HARDWARE 122	DPLX	120V
PCB143	1	1008366	1008366	SJE-RHOMBUS	PCA,DUPLEX,W/HOA	DPLX	120V
PC219	1	1001452	39-01-2100	SJE-RHOMBUS	TERM,10 POS,HSG	CRIMP HOUSING	94V
PC219	4	1012461	1813	SJE-RHOMBUS	SPCR,HEX,#6-32 X 5/8in ALUM		
PC219	1	1001453	39-01-2060	SJE-RHOMBUS	TERM,6 POS,HSG	CRIMP HOUSING	94V
PC219	1	1031464	1031464	SJE-RHOMBUS	PCA,OIL DETECTION	OIL	120V
ENCL N4X	1	1003007	J1816HPL	STAHLIN	ENCL,N4X,FIB 18X16 LOCK	WALL-MOUNT ENCLOSURE	NEMA 3R, 4X, 6P, 12
ENCL N4X	1	1003051	1003051	ACTION FABRICATING	BACK PLATE, INTEGRA, 18x16 IN, ALUMINUM	PANEL	ALUMINUM
HTR141	1	1004421	010040CIA	WATLOW	HEATER, SEMI-CONDUCTOR, SILICONE, 30W, 120VAC	HEATER	120VAC, 30W
PDB144	1	1024530	1411400	MARATHON	POWER DISTRIBUTION BLOCK, 1-POLE	1x 14-2	4x 18-10
TB4	10	1038973	3044131	PHOENIX CONTACT	UNIVERSAL TERMINAL BLOCK - UT 6	FEED-THROUGH	57AMPS
TB3	3	1039243	3044160	PHOENIX CONTACT	UNIVERSAL TERMINAL BLOCK - UT 10	FEED-THROUGH	76AMPS
ENCL N4X	3	1001205	TA-6-S	ILSCO	GROUND LUG, ALUMINIUM, LUG SIZE 0	GROUND LUG	1x 14-4
MP110,MP117	2	1012376	GV2P16	TELEMECANIQUE	MOTOR CIRCUIT BREAKER GV2-P - 9-14 A - 3P 3D - THERMOMAGNETIC TRIP UNIT	3-POLE CIRCUIT BREAKER	9AMPS
MP110,MP117	2	1012384	GV2AF02	SCHNEIDER ELECTRIC	BKT,MTG,MPS,TESYS	MPS	N/A
MP110,MP117	2	1012208	1012208	ACTION FABRICATING	STABILIZER, CONNECTING MODULE, GV2,	STABILIZER	N/A
MP110,MP117	2	1012206	GVAN11	SCHNEIDER ELECTRIC	CONTACTS,AUX,NO/NC TESYS	MPS	N/A
MP110,MP117	2	1012205	GV2GH7	SCHNEIDER ELECTRIC	SPACER,LINE SIDE, TESYS	MPS	N/A
MP110,MP117	2	1012203	GV2AF3	TELEMECANIQUE	CONNECTING MODULE, GV2,	CONNECTING MODULE	
M158,M163	2	1012211	LC1D18G7	TELEMECANIQUE	CONTACTOR TESYS LC1-D - 3P - AC-3 440V 18A - COIL 120VAC	CONTACTOR	18AMPS, 120VAC
FU124,FU126	2	1012214	FNQ-R-1	BUSSMANN	FUSE - CLASS CC, 1AMP, 600VAC	TIME DELAY	600VAC
FU128	1	1024709	FNM-1	BUSSMANN	FUSE - MIDGET, 1AMP, 250VAC	TIME DELAY	250VAC

TAGS	QTY	IFS	CATALOG	MANUFACTURER	DESCRIPTION	QUERY2	QUERY3
FU141,FU215	2	1009107	AGC-1/2	BUSSMANN	FUSE - AGC, 1/4" - 1 1/4", 0.5AMP, 250VAC	FAST ACTING, GLASS TUBE WITH NICKEL-	250VAC
FU141,FU215	2	1049089	3004171	PHOENIX CONTACT	FUSE HOLDER, 500V, 10A, 1 1/4" - 1/4", SINGLE, RAIL MOUNT	FUSE HOLDER	10A MAX
FLT235	1	R1032767	R1032767	SJE-RHOMBUS	OIL SENSOR PROBE UNIT I-H	PROBE	
XF126	1	1006032	B050WZ13RK	MICRON	INDUSTRIAL CONTROL TRANSFORMER, CC FUSE BLOCK, 50VA, 550/575/600V-110/115/120V, 50/60HZ	CONTROL TRANSFORMER	50VA
XF215	1	1032203	BD2E	SQD	XFMR, 120:12 VAC 20 VA CLASS II	CONTROL TRANSFORMER	20VA
CR174,CR223	2	1024325	RPZF1	SCHNEIDER ELECTRIC	SOCKET FOR RELAYS TYPE RPM	TYPE RPM	SOCKET
CR174	1	1024306	RPM12F7	SCHNEIDER ELECTRIC	PLUG-IN POWER RELAY, TYPE RPM, SOCKET RPZF1, WITH LED	TYPE RPM	120VAC
CR223	1	1024303	RPM12JD	SCHNEIDER ELECTRIC	PLUG-IN POWER RELAY, TYPE RPM, SOCKET RPZF1, WITH LED	TYPE RPM	12VDC
CR204,CR209	2	1030215	RXZE2M114	SCHNEIDER ELECTRIC	SOCKET FOR RELAYS TYPE RXM W/SCREW CLAMP TERMINALS	TYPE RXM	SOCKET
CR204,CR209	2	1030214	RXM4AB2F7	SCHNEIDER ELECTRIC	PLUG-IN MINIATURE RELAY, TYPE RXM, SOCKET RXZE2M114, WITH LED	TYPE RXM	120VAC
TG147	1	1003876	1003876	METALLICS	LABEL, TEST-NORMAL-SILENCE	N/A	LABEL
TG147	1	1002999	C1131/35-2202 BLK	APM	BOOT, RUBBER NEMA 4X, TOGGLE SWITCH, 15/16" LONG, 15/32" TRHEAD	N4X	BOOT
TG147	1	1003291	6FC53-73	CARLING	SW,TGL,10A (ON)-OFF-(ON) W/BOOT	10A	TOGGLE
LT154	1	1024445	R15-MB	AC/DC	IND ASSY, ALM LGT, RED, ACDC	15W	120V
LT160,LT165,LT212	3	1001318	6012M5	CHIC-MIN	PILOT LIGHT, 120VAC, NEON - ROUND - GREEN LENS	NEON	120V
LT202,LT207	2	1003049	6010M1	CHIC-MIN	LGT,PIL NEON,120V RD IDI	LED	125V
AH152	1	1003442	16004146SSFRONT /4HOL_ASSY	WORLDWIDE TECHNOLOGIES	NEMA 4X ASSEMBLY, HORN, 83-85 dB, 120VAC,	120V	HORN