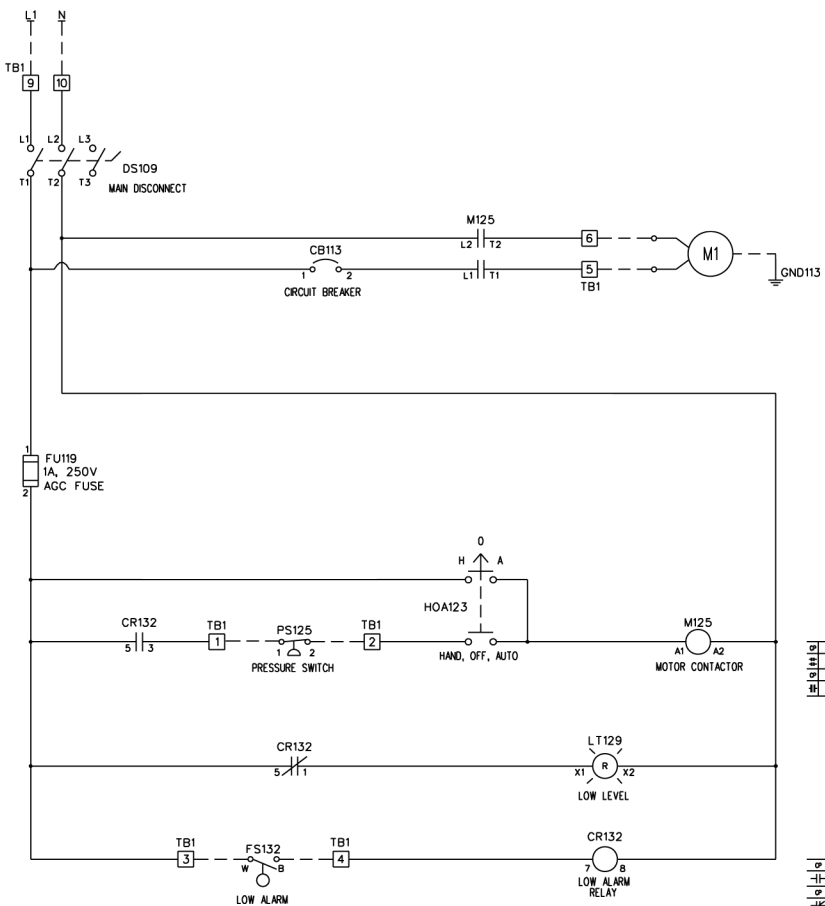
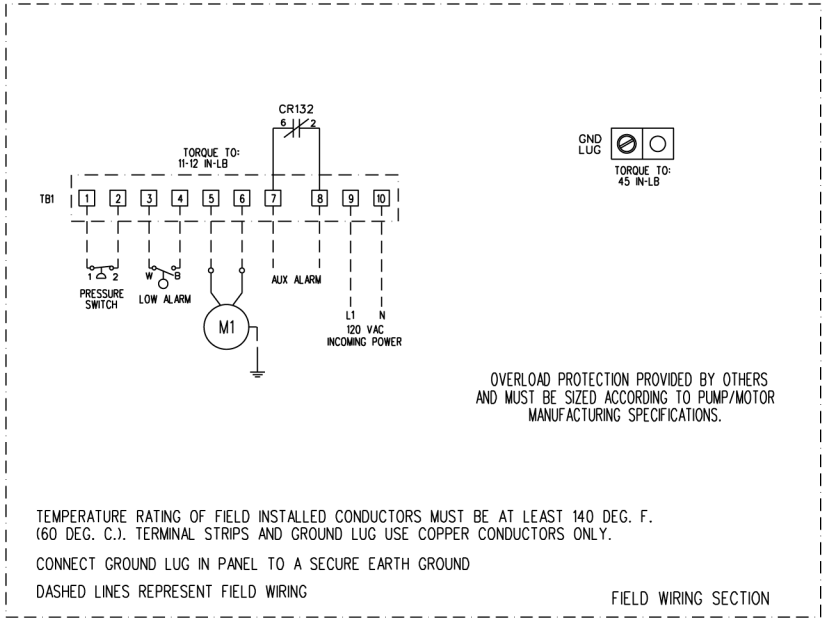


100
101
102
103
104
105
106
107
108
109
110
111
112
113
114
115
116
117
118
119
120
121
122
123
124
125
126
127
128
129
130
131
132
133
134
135
136
137
138
139
140

141
142
143
144
145
146
147
148
149
150
151
152
153
154
155
156
157
158
159
160
161
162
163
164
165
166
167
168
169
170
171
172
173
174
175
176
177
178
179
180
181



①	5	3	4
②	12		
③	5	1	2
④	129	153	



TEMPERATURE RATING OF FIELD INSTALLED CONDUCTORS MUST BE AT LEAST 140 DEG. F. (60 DEG. C.). TERMINAL STRIPS AND GROUND LUG USE COPPER CONDUCTORS ONLY.
DASHED LINES REPRESENT FIELD WIRING

NOTICE: THIS DRAWING CONTAINS PROPRIETARY INFORMATION AND IT SHALL NOT BE USED OR REPRODUCED OR ITS CONTENTS DISCLOSED IN WHOLE OR IN PART, WITHOUT PRIOR WRITTEN CONSENT.									
DRWN BY	DATE	CHKD BY	DATE	APPD BY	DATE	PROJECT NO.	QUOTE NO.	REV.	
GDV	03.30.11	GDV	03.30.11	RMS	03.30.11	1031665	N/A	A	
DEW NAME	DEW P/N	PAGE	SCALE	DWG SIZE	TITLE				
FLOFAB	N/A	1 of 1	NONE	D	LIT, FLOB, SCH SPLX GLYCOL				