



**SUBMITTAL**

**FFW-SERIES**

**PLATE HEAT EXCHANGERS**

**Models:** FFW10 thru FFW 140

**Submittal Sheet No.** M-1001A

**Date:** 12/13

Job Name _____	Submitted By _____	Date _____
Location _____	Approved By _____	Date _____
_____	Order No. _____	Date _____
Engineer _____	Notes _____	
Contractor _____		
Sales Rep. _____		

**Description**

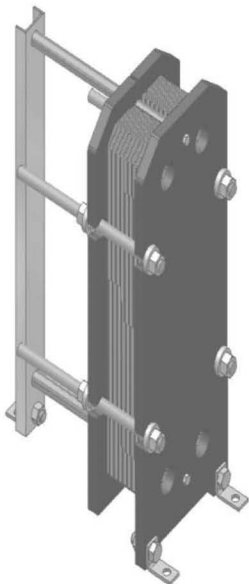
Flo Fab type FFW-series plate heat exchangers are ASME certified and designed to efficiently transfer heat from one fluid to another. The fluids are separated by corrosion resistant heat transfer plates and contained by elastomer gaskets. The units are tailored to any fluid flow and temperature requirements to achieve the greatest economically efficient design.

**Construction**

Plates: 304SS	Optional: 316SS
Gaskets: Nitrile	Optional: EPDM
Connections: Carbon	Optional: Stainless
Heads: Carbon Steel	

**Performance**

Design Temperature: 230°F  
 Design Pressure: 150 psi  
 (320°F & 300 psi available)



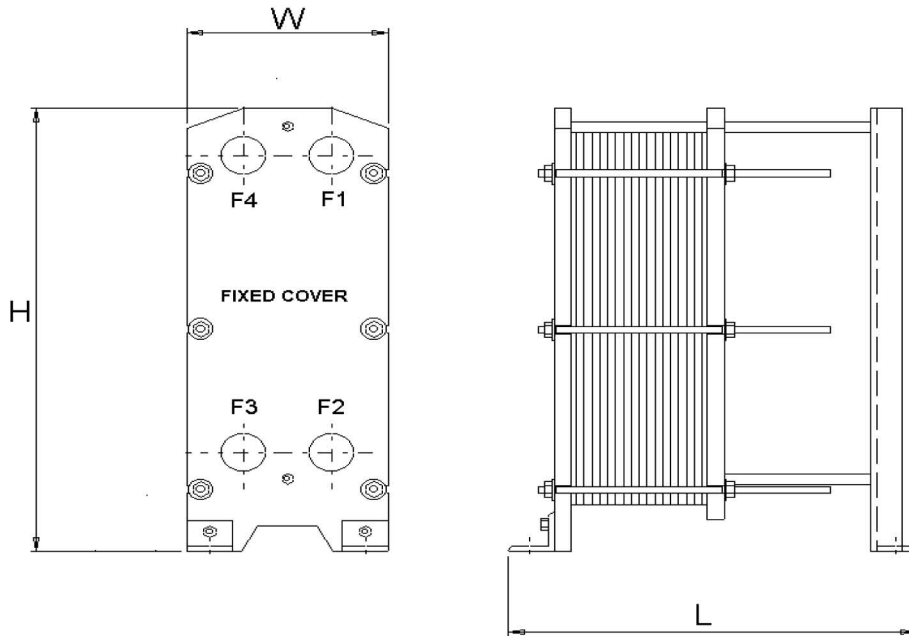
Model Number	Part Number	Max Flow (GPM)	Tagging Information	Quantity
FFW10	58010018	60		
FFW20	58020060	250		
FFW21	58021060	250		
FFW40	58040084	1,000		
FFW41	58041084	1,000		
FFW45	58045096	1,000		
FFW60	58060108	2,200		
FFW61	58061108	2,200		
FFW80	58080192	4,000		
FFW81	58081192	4,000		
FFW101	58101216	5,000		
FFW140	58140240	10,000		

**Typical Specification**

Furnish and install, as shown on plans, a Flo Fab model \_\_\_\_\_ to transfer \_\_\_\_\_ btu/hr from source fluid \_\_\_\_\_ to secondary fluid \_\_\_\_\_. The gasket material is Nitrile. The heat exchanger must be constructed with most recent addendum of Section VIII, Div.1 of the ASME Boiler and Pressure Vessel Code and shall be constructed and stamped for 150 PSI working pressure @ 230°F.

Each heat exchanger shall be Flo Fab Model FFW \_\_\_\_\_ or approved equal.

## Plate Heat Exchangers



### Capacities, Dimensions & Weights

Model	Maximum Flow rate (GPM)	Height (in.)	Width (in.)	Maximum Length (in.)	Conn. Size (in.)	Area Maximum (ft <sup>2</sup> )	Weight (lbs.)	
							Base	Per Plate
FFW10	60	21	8	24	1	30	150	0.5
FFW20	250	35	14	60	2	400	500	2
FFW21	250	35	14	60	2	500	500	1.5
FFW40	1,000	44	19	84	4	600	1,000	3.5
FFW41	1,000	44	19	84	4	1,000	1,000	3
FFW45	1,000	74	19	96	4	2,000	1,600	6
FFW60	2,200	75	25	108	6	2,400	3,000	8
FFW61	2,200	75	25	108	6	4,200	3,000	7
FFW80	4,000	88	30	192	8	4,500	3,000	11
FFW81	4,000	88	30	192	8	5,000	3,000	10
FFW101	5,000	109	35	216	10	11,000	5,500	16
FFW140	10,000	112	45	240	14	12,500	8,000	20

### Notes

- ASME Certified
- Available in higher pressures and temperatures
- Canadian Registration Numbers available