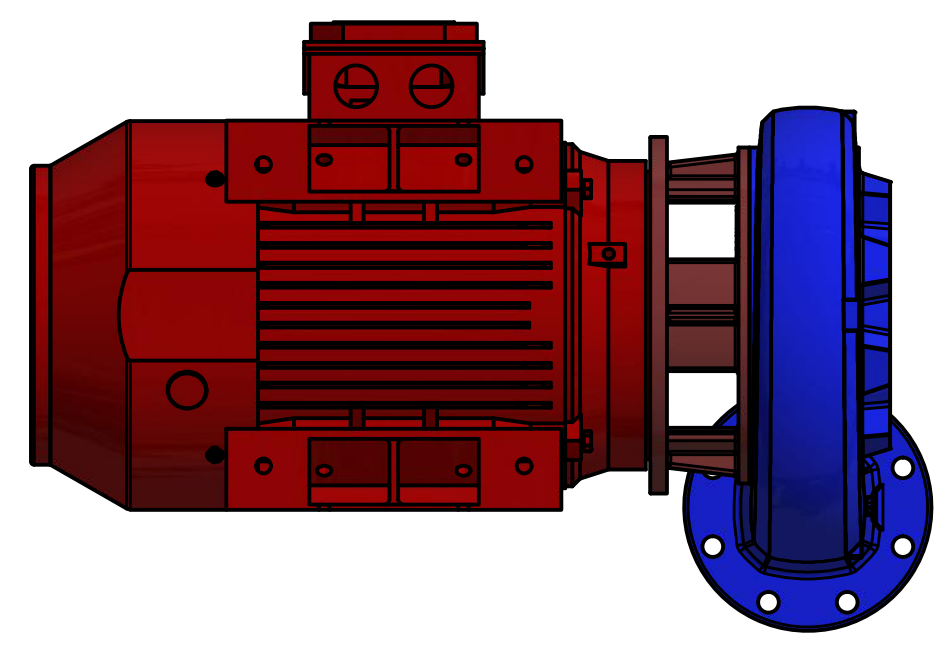
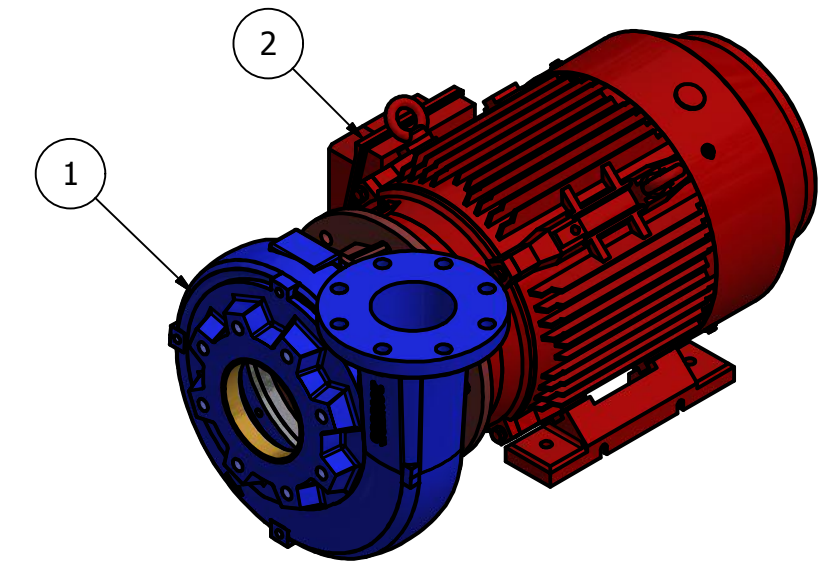
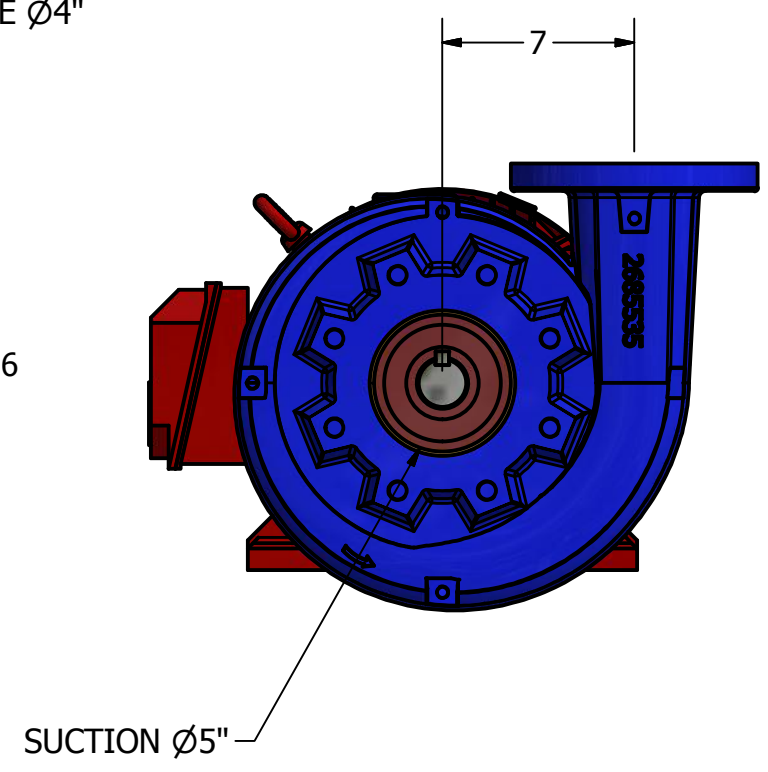
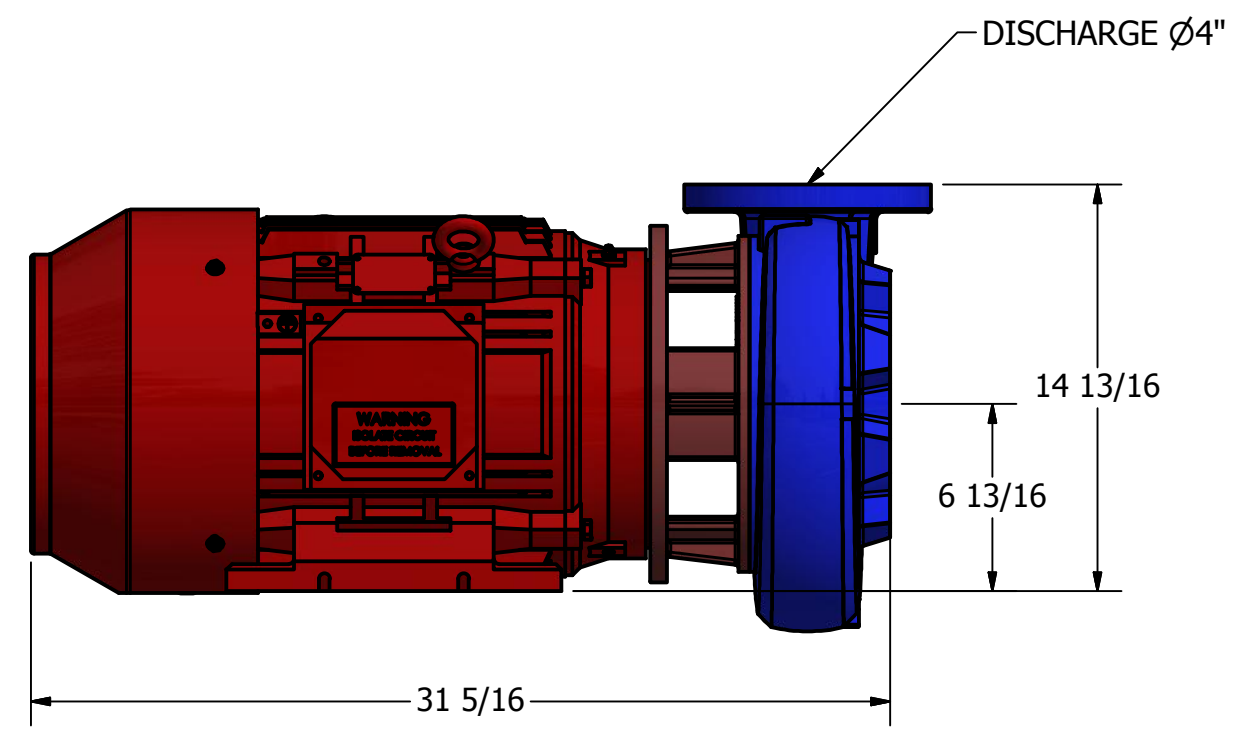


PARTS LIST		
ITEM	ITEM QTY	DESCRIPTION
1	1	1000-C1040A PUMP
2	1	MOTOR 25HP,1750RPM,3PH,60HZ,284JM,ODP



DRAWING %	
FABRICATION	
100%	X
90%	
75%	
50%	
PRELIMINARY	

REVISION HISTORY		
REV	DESCRIPTION	DATE
1	INITIAL DRAWINGS	04/08/2016
2	REMOVE BASE	04/19/2016

<b>THIS DRAWING MUST BE SENT WITH PURCHASE ORDER</b>		
DESIGNER D.GERMAIN	DATE 04/19/2016	TITLE / TITRE 1000 PUMP ASSEMBLY
PROJECT / PROJET		
CUSTOMER / CLIENT		
QUOTE	TAG	
DWG NO.		REV 2
SCALE / ECHELLE 1/7	JOB NO.	SHEET 1 OF 1

MONTREAL, (QC), CANADA  
TORONTO, (ON), CANADA  
LAKE WORTH, (FL), USA  
WWW.FLOFAB.COM

