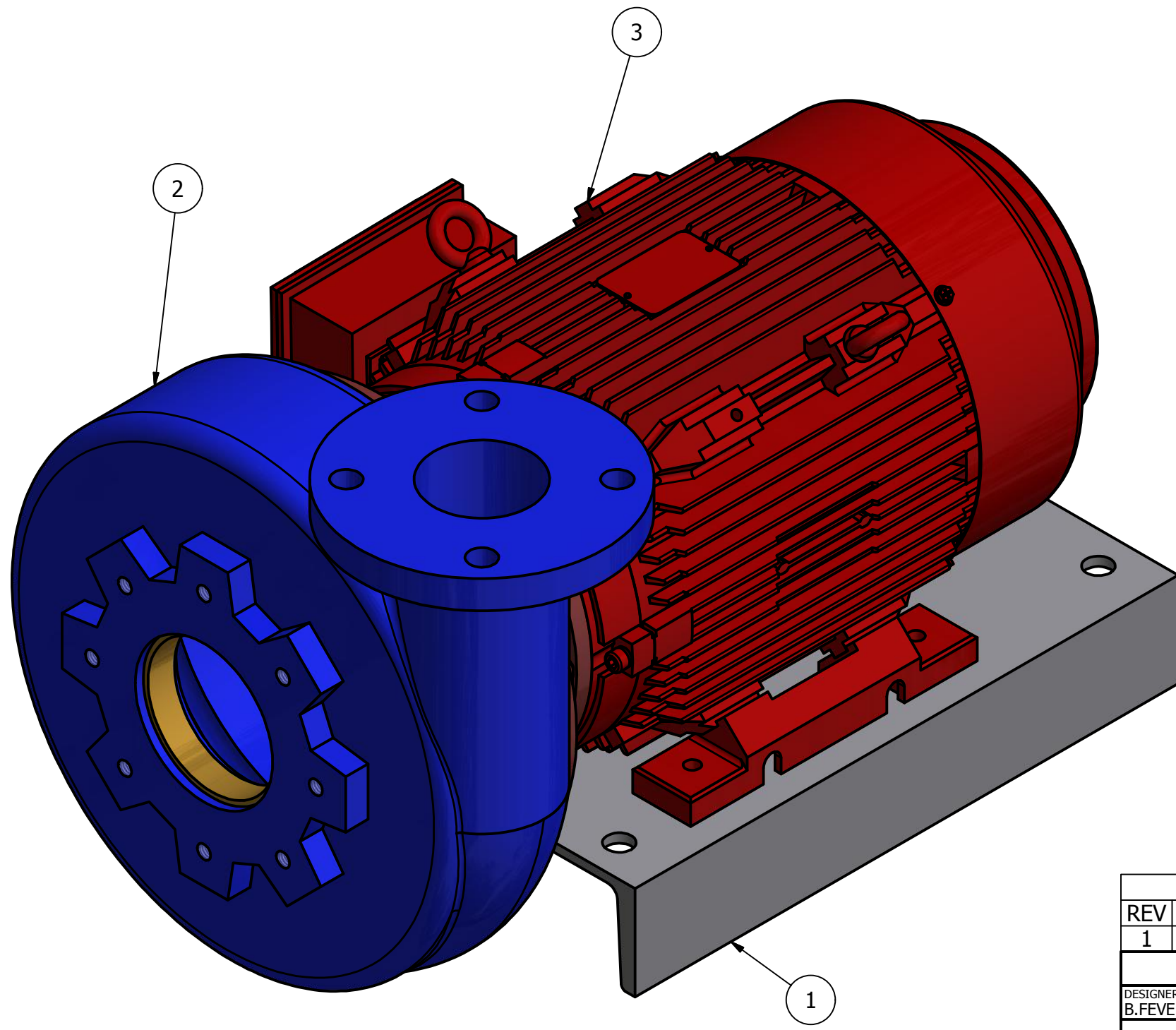



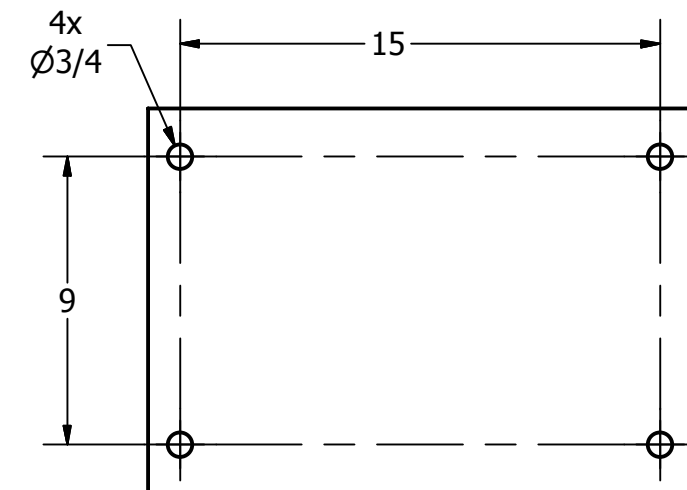
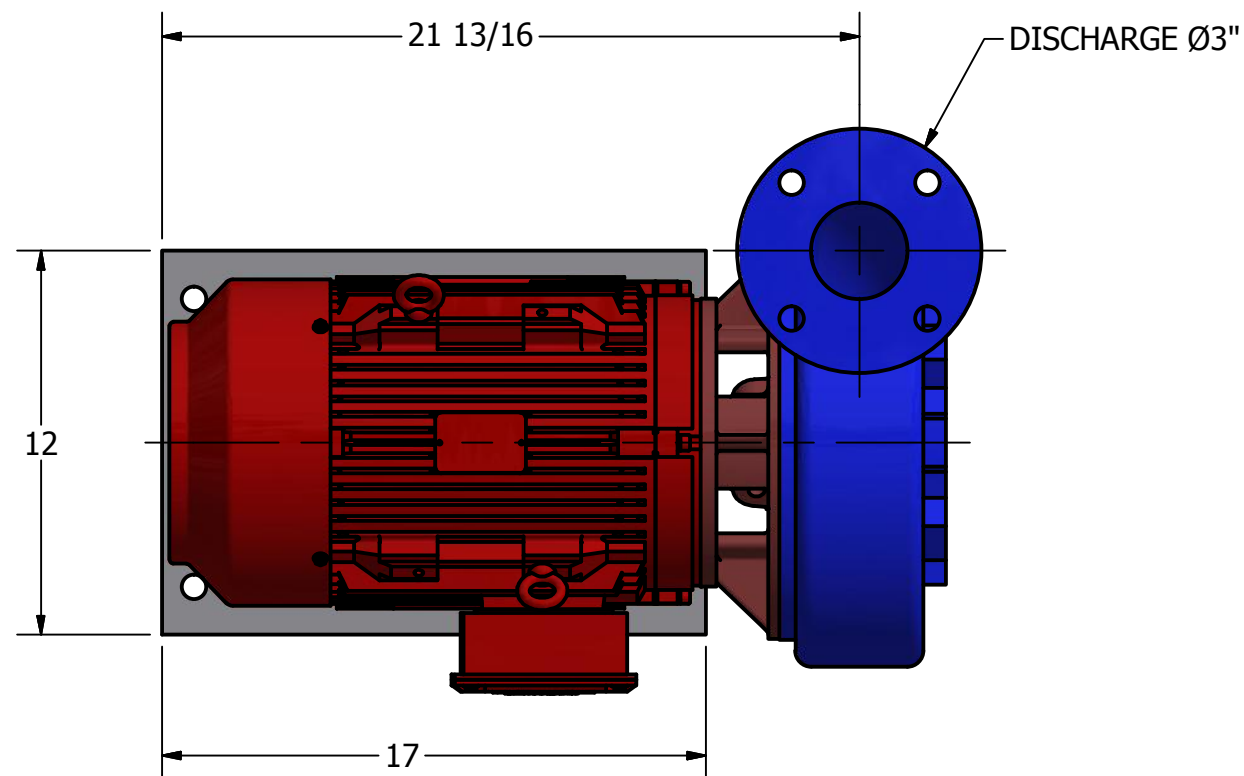
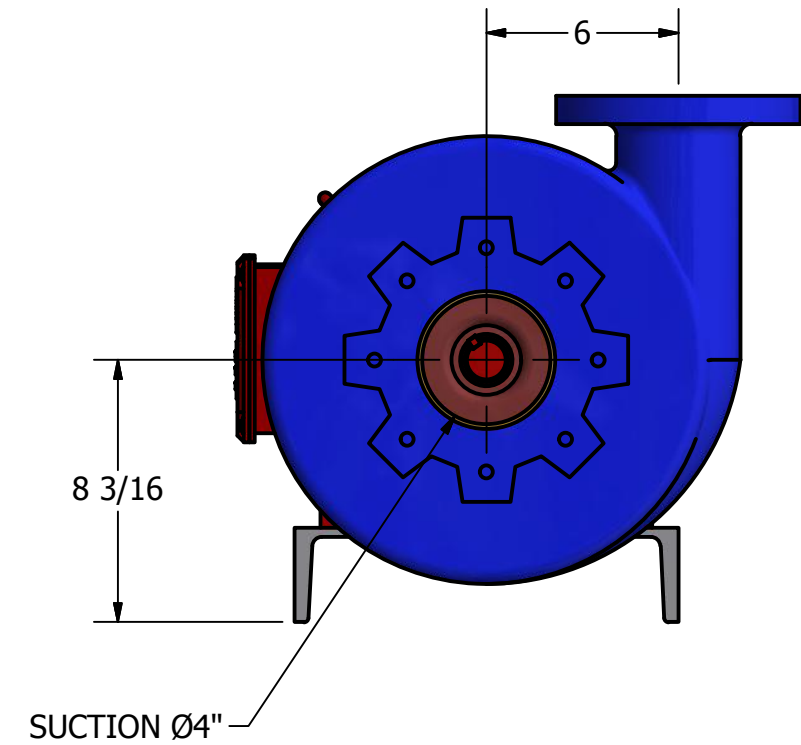
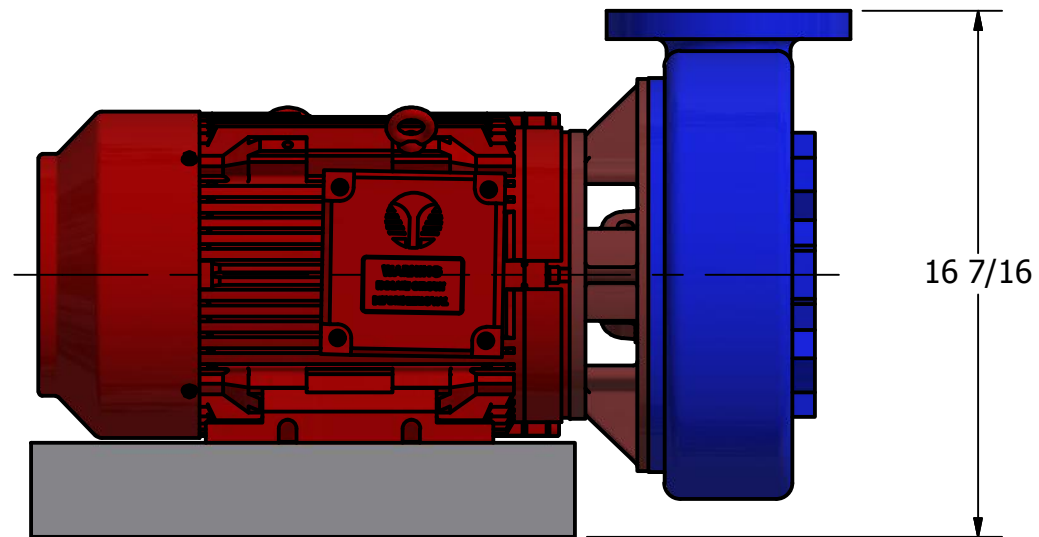
PARTS LIST		
ITEM	ITEM QTY	DESCRIPTION
1	1	MOTOR BASE - 12" x 17"
2	1	PUMP - 1004-C1030A
3	1	MOTOR - 7.5HP/1750RPM/460V/215JM




DRAWING %	
FABRICATION	
100%	X
90%	
75%	
50%	
PRELIMINARY	

REVISION HISTORY		
REV	DESCRIPTION	DATE
1	PRELIMINARY DRAWINGS	12-APR-2016

THIS DRAWING MUST BE SENT WITH PURCHASE ORDER			
DESIGNER B.FEVEREIRO	DATE 04/11/2016	TITLE / TITRE END SUCTION PUMP ASSEMBLY	
		PROJECT / PROJET ADMINISTRATION BUILDING CONSTRUCTION - TALARA	
		CUSTOMER / CLIENT ACS REFREGIRATION	
MONTREAL, (QC), CANADA TORONTO, (ON), CANADA LAKE WORTH, (FL), USA WWW.FLOFAB.COM		QUOTE 107867	TAG PRIMARY-ALA 02 A,B,C
DWG NO. 107867_END SUCTION PUMP ASSEMBLY		REV 1	
SCALE / ECHELLE 1/3		JOB NO.	SHEET 1 OF 2



ANCHOR BOLT PATTERN
SCALE 1/6

THIS DRAWING MUST BE SENT WITH PURCHASE ORDER			
DESIGNER B.FEVEREIRO	DATE 04/11/2016	TITLE / TITRE END SUCTION PUMP ASSEMBLY	
		PROJECT / PROJET ADMINISTRATION BUILDING CONSTRUCTION - TALARA	
		CUSTOMER / CLIENT ACS REFRIGERATION	
MONTREAL, (QC), CANADA TORONTO, (ON), CANADA LAKE WORTH, (FL), USA WWW.FLOFAB.COM		QUOTE 107867	TAG PRIMARY-ALA 02 A,B,C
		DWG NO. 107867_END SUCTION PUMP ASSEMBLY	REV 1
		SCALE / ECHELLE 1/6	JOB NO. SHEET 2 OF 2