



FLO FAB

INSTALLATION, OPERATION and MAINTENANCE MANUAL

www.flofab.com

Centrifugal Pumps

SERIES 2600



Manufacturer of Pumps, Tanks, Heat Exchangers & Accessories
for HVAC Market After-Sales Parts and Services

CENTRIFUGAL PUMPS- SERIES 2600

FLO FAB INC
LAKE WORTH,
FLORIDA, USA

CAUTION!!

DO NOT RUN PUMP DRY, SEAL DAMAGE MAY OCCUR. INSPECT PUMP SEAL REGULARLY FOR LEAKS, REPLACE AS REQUIRED.

FOR LUBRICATION REQUIREMENTS, CONSULT SERVICE INSTRUCTIONS. FAILURE TO FOLLOW INSTRUCTIONS COULD RESULT IN INJURY OR PROPERTY DAMAGE. COUPLER ALIGNMENT IS REQUIRED! LEVEL AND GROUT PUMP BEFORE USE!

CHECK ALIGNMENT BEFORE GROUTING, AFTER SYSTEM IS FILLED, AFTER SERVICING PUMP, AND AS REQUIRED.

CONSULT THE SERVICE INSTRUCTIONS FOR DETAILS. FAILURE TO FOLLOW THESE INSTRUCTIONS COULD RESULT IN INJURY OR PROPERTY DAMAGE. FAILURE TO FOLLOW THIS INSTRUCTION MAY VOID THE WARRANTY OF THE UNIT .

FLO FAB pumps, when properly installed and given reasonable care and maintenance, will provide many years of trouble-free operation.

Pumps are carefully tested and inspected for mechanical defects before shipment, but should be carefully inspected for possible damage during transit immediately upon receipt. Contact your FLO FAB representative or the transport company immediately if there is any evidence of mishandling.

Although FLO FAB pumps are correctly aligned before shipment, alignment must be checked again by installer and adjusted if necessary before and after all pipe joints are made and base is grouted.

CAUTION

A PUMP IS A PRECISION MACHINE AND BY FOLLOWING PROPER INSTALLATION PROCEDURE AND STUDYING INSTRUCTIONS, PROBLEMS CAN BE AVOIDED.

INSTALLATION

LOCATION OF UNIT

1. Locate the pump in a dry place as near the liquid source as practical with a short, direct suction pipe and a minimum number of elbows and fittings on the discharge line.
2. Place the unit so that it will be accessible for inspection during operation and maintenance.

FONDATION

1. Foundation should be sufficiently substantial to absorb any vibration and to form a permanent rigid support for the base plate. This is important in maintaining alignment of a direct connected unit.
2. Foundation bolts of suitable size should be embedded in the concrete, located by a drawing or template of the pump baseplate.
3. Pipe sleeves about two and on-half diameter larger than the bolts should be used to allow movement for final positioning of the bolts.

GROUTING

1. Place pumping unit on foundation with wedges under base plate, leaving approximately 3/4" space for grouting.
2. Carefully level the unit by adjusting the wedges (see **FIGURE I**) until shafts of pump and driver are levelled.
3. Check coupling faces as well as suction and discharge flanges of pump for horizontal or vertical position by means of a level. Slight misalignment at this point may be corrected by adjusting the wedges.
4. Build a dam around base plate at least 2-1/2" high (see **FIGURE II**).
5. Mix the grout, using 1 part pure Portland cement and 2 parts building sand to avoid excessive shrinkage. This mix should require no more than 6 gallons of water per bag of cement. Let the mixture stand for several hours, remixing thoroughly before use without adding water.
6. Before grouting, surface of the rough concrete must be well saturated with water.

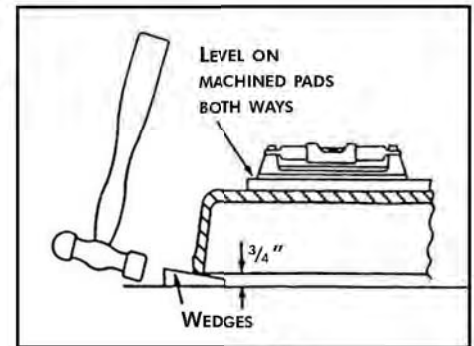


FIGURE I

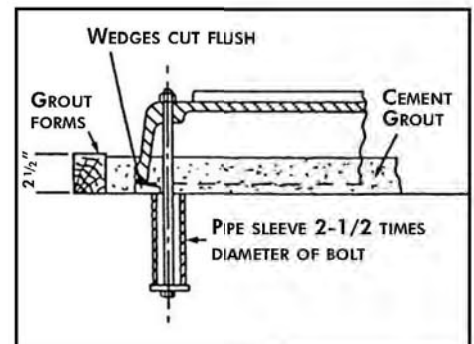


FIGURE II

7. Pour sufficient grout to fill entire space under base, using a rod through the grout hole to release any air pockets.
8. To prevent cracking, protect grout against rapid drying by covering exposed surfaces with wet burlap for 2 days.
9. Let grout harden for several days
10. Tighten anchor bolts and recheck alignment. Any misalignment, now and after pipe joints are made, must be corrected by placing shims between base and driver or pump feet.

PIPING (GENERAL)

1. Never connect a pump to piping. Always start piping from pump (except In-Line Pumps).
2. Use as few bends as possible and preferably log radius ones.
3. Install good supports under suction and discharge piping with anchors near but independent of the pump. Make sure piping exerts no strain on pump as this would throw the unit out of alignment or distort the casing.
4. Increase the size of both suction and discharge pipes at pump nozzle to suit pump capacity and particular conditions of installation.
5. Layout the suction line with a continual rise towards the pump without high points, thus eliminating possibility of air pockets.
6. Test suction line for air leaks before starting. This becomes essential with long suction line or high static lift.
7. Install, at pump suction, a straight pipe of a length equivalent to 4 or 5 times its diameter. This becomes essential when handling hot liquids, 120°F and above.
8. Install gate valve close to pump in both suction and discharge lines on flooded suction application. This is used mainly to isolate the pump for inspection or repair.
9. Install a check valve in discharge line between pump and gate valve to protect pump from excessive pressure and to prevent water running back through the pump in case of driver failure.
10. Install a foot valve at bottom of the suction pipe to facilitate priming of pump for operation under suction lift. A small by-pass line around the discharge check valve will compensate for foot valve leaks.
11. Install a suction strainer to protect pump against foreign matter in initial start-up as well as in normal operation. Size liberally.
12. Install pressure gauges on both sides of strainer to indicate pressure drop through the strainer. Stop pump and clean the strainer when pressure drop starts to climb.
13. Install vent valve at high point of pump casing to vent casing and suction piping of air and vapor before start-up. This valve is also used during priming of pump or later if pump becomes air or vapor bound.
14. Connect a compound gauge to the pump suction and a pressure gauge to the discharge. This ensures close check on pump performance.
15. Connect drain pipe to drain pump base.

C A U T I O N

- A. DISCHARGE VALVE MUST ONLY BE USED TO REDUCE THE FLOW OR SHUT-OFF THE PUMP.
- B. CARE MUST BE TAKEN IN THE SUCTION LINE LAYOUT AND INSTALLATION , AS IT IS USUALLY THE MAJOR SOURCE OF TROUBLE ON CENTRIFUGAL PUMP OPERATION.



ALIGNMENT

Purpose of the flexible coupling is to compensate for temperature changes and to permit end movement of shafts without interfering with each other. It will not compensate for misalignment. Alignment should be checked as follows:

1. Place a straight edge across the coupling as shown in **FIGURE III**. This must rest evenly on both rims at top, bottom and both sides.
2. With a pair of inside calipers or thickness gauge, check distance between coupling halves at points where straight edge was used. Distance must be equal at all points.

CAUTION

- A. FOR PUMPS DRIVEN BY STEAM TURBINE OR HANDLING HOT LIQUIDS, ALIGNMENT SHOULD BE CHECKED AT OPERATING TEMPERATURE.
- B. FLEXIBLE SHAFTS CAN ABSORB MOMENTARY ANGULAR MISALIGNMENT OF 15 TO 22 DEGREES DEPENDING UPON SIZE. PUMPS EQUIPPED WITH FLEXIBLE SHAFT DO NOT REQUIRE ANY SPECIAL ATTENTION AT TIME OF INSTALLATION. ALIGNMENT ON SITE IS NOT NECESSARY UNLESS BASE PLATE IS WARPED OUT OF PROPORTION.
- C. FAULTY ALIGNMENT WILL RESULT IN NOISY PUMP OPERATION, REDUCED BEARING LIFE, EXCESSIVE COUPLING WEAR AND WASTE OF POWER. IT IS THEREFORE ESSENTIAL:
 1. TO CHECK THE ALIGNMENT CAREFULLY AFTER THE FOUNDATION BOLTS HAVE BEEN PROPERLY THIGHTENED.
 2. TO CHECK AGAIN THE ALIGNMENT AFTER PIPING IS INSTALLED AND UNIT HAS OPERATED UNDER NORMAL CONDITIONS AT OPERATING TEMPERATURE.

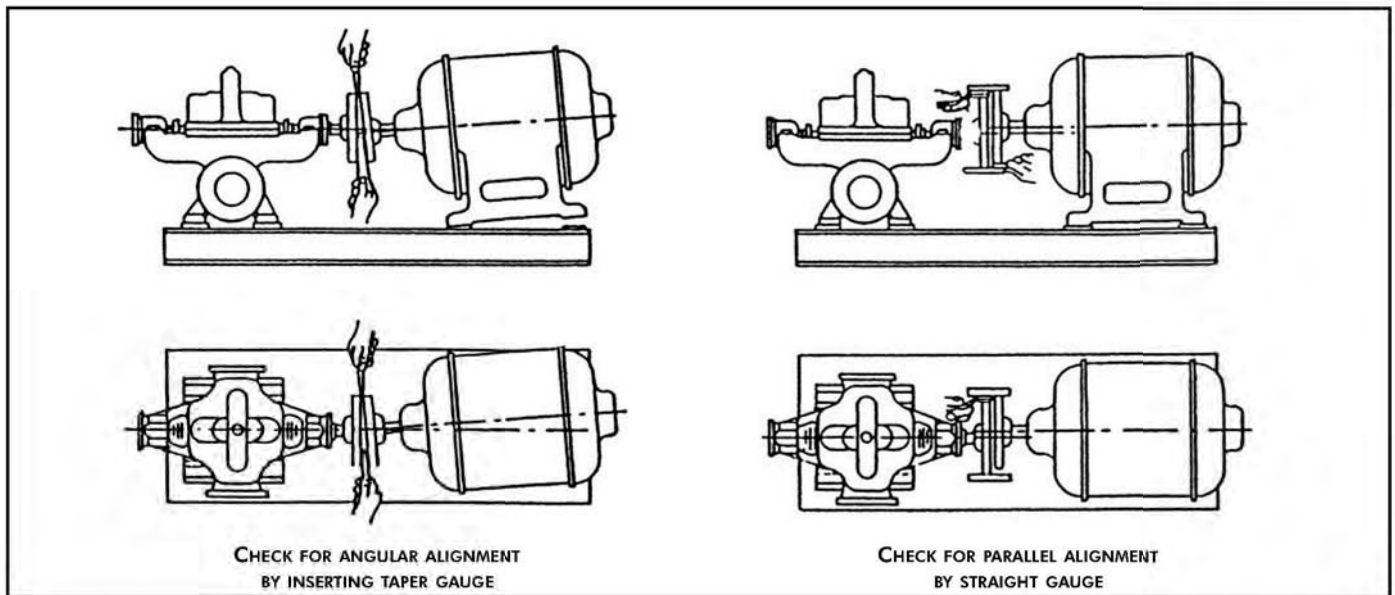


FIGURE III

OPERATION

STARTING OF ELECTRIC MOTOR DRIVEN PUMPS

1. Before connecting motor and starter to the line:
 - 1.1. Check wiring information available inside the conduit box.
 - 1.2. Check voltage and frequency of power supply with what s shown on motor nameplate.
 - 1.3. Check current rating of overload relays and fuses against nameplate full load current value.
2. Check lubrication and packing (see MAINTENANCE).
3. Check if rotor is free to turn. It must be possible to revolve the rotor by hand. If the rotor drags even slightly, do not operate until the cause of trouble is located and corrected.
4. For unit with fluid drive, refer to the maintenance instructions of fluid drives.
5. If unit is for high temperature application, refer to operating instructions for high temperature pumps.
6. Prime the pump. A pump is primed when casing and suction line are filled with liquid and when all the air contained in the pump has been allowed to escape. If pump is to operate under suction lift without foot valve, priming is done by pumping air out by means of an ejector, an exhauster or a vacuum pump.
7. Check direction of driver rotation. Proper direction is indicated by arrow on pump casing.
8. Check electric motor current as soon as motor is started to verify whether or not the mechanical load applied corresponds to the motor rating. The continuous full load current value should be within the electric motor nameplate rating with service factor taken into account.

C A U T I O N

- A. MAKE SURE THE GATE VALVE ON PUMP SUCTION IS FULLY OPEN AS THROTTLING ON SUCTION SIDE IS HARMFUL TO THE PUMP.
- B. MAKE SURE PUMP WILL NOT RUN DRY. MOST CENTRIFUGAL PUMPS HAVE CLOSE CLEARANCES AND CANNOT RUN DRY WITHOUT SERIOUS DAMAGE RESULTING.

LONG TERM STORAGE

Here are some general suggestions for long term storage. The applicability of all, or some, of these suggestions depends on several factors such as type of equipment, length of storage, and condition of the environment.

GENERAL CARE

Drain the casing completely and dry it thoroughly, including its bearing housing and stuffing box, or seal chamber. Apply a coat of soluble rust preventive solution both internally and externally.

Cover all openings. Flanged openings (such as suction and discharge nozzles) should be covered with blind flanges with elastomer gasket. Threaded openings should be covered with steel plugs or caps.

Protect the bearing housing from moisture by placing bags of vapor phase inhibitor crystals around the housing.

Cover the equipment with industrial strength plastic, preferably transparent to allow its visual inspection, including its nameplate, without uncovering the unit.

Store the unit in its normal position in a dry place.

Inspect the unit periodically and turn the shaft a few times at least 1/4 turn. Turning the shaft prevents pitting of finished surfaces. The extra 1/4 turn is to displace the sag and prevent the shaft from developing a permanent bow.

This needs to be done at least once a month.





M A I N T E N A N C E

A systematic inspection made at regular intervals, giving special attention to the following, will ensure years of trouble-free operation.

GENERAL CARE

1. Keep unit clean.
2. Avoid excessive belt tension.
3. Provide the motor with adequate overload protection.
4. Keep flying chips or other loose particles away from the ventilating openings of the motor.
5. Avoid operating the unit in overheated surroundings.
6. Guard three phase motor against single phasing which is frequently accompanied by an unusual humming sound, a drop in speed, and by excessive heating which, if continued, may burn out the motor windings.
7. Use thermometers when checking temperatures.
8. If pump is standing idle in freezing weather, pump casing and piping should be drained.

BEARINGS

1. LIFE LUBRICATED BEARINGS are heavy duty permanently lubricated, sealed type and require no maintenance.
2. GREASE LUBRICATED BEARINGS require very little attention. More trouble can be caused by overcharging than by undercharging with grease. Approximately every month, depending on service, inject a small quantity of grease (Esso Andok No. 280 or equal) into bearing container after removing the grease outlet plug so that old grease is flushed out and bearing is not overfilled.



MECHANICAL SHAFT SEAL LIMITATIONS

Standard FLO FAB pumps are equipped with mechanical seals. Standard mechanical seals have Ni-resist seat, carbon washer and Viton below. Maximum recommended operating temperatures and pressures are shown below.

MOTOR HP & SPEED	SUCTION PRESSURE (PSIG)	MAXIMUM TEMPERATURE (°F)
Up to 10HP 1750 RPM	60	250
	85	225
	125	160
15 - 50HP 1750 RPM	50	250
	60	225
	100	160
Up to 15HP 3500 RPM	20	180
	125	120
20 - 60HP 3500 RPM	15	180
	115	120

CAUTION

- A. A MECHANICAL SEAL IS A PRECISION PRODUCT. HANDLE IT WITH CARE. SPECIAL CARE MUST BE TAKEN WITH THE SEALING WASHER AND SEAT. DO NOT LET THEM DROP AND TAKE PARTICULAR CARE NOT TO SCRATCH THE LAPPED FACES.
- B. NEVER RUN SEALS DRY.
- C. FOLLOW SEAL MANUFACTURER'S INSTRUCTIONS.



PREVENTIVE MAINTENANCE

1. Protect pump with a suitable strainer.
2. Never pump a liquid for which the pump was not designed (check with your FLO FAB representative).
3. Keep the right amount of the right lubricant in bearings at all times, following lubrication instructions.
4. Check periodically pump and motor alignment.
5. Any down sloping towards the pump in suction piping should be corrected.
6. See that piping puts no strain on pump casing.
7. Never allow pump to run dry.
8. Examine wearing rings at regular intervals.
9. If shaft sleeves are badly scored, replace them immediately.
10. If the liquid being pumped contains grit, a separate source of sealing liquid should be used.
11. A routine maintenance schedule should be set-up to ensure an optimum inspection and service operation in order to get the best service out of your pumping equipment.



RENEWAL PARTS

The service for which centrifugal pump is used will determine, to a great extent, the minimum number of spare parts that should be carried in stock at the installation site (see details pages 15 to 26). The minimum for any centrifugal pump should include:

- One set of wearing rings
- One set of shaft sleeves (or a shaft if no sleeves are used)
- One set of bearings
- Sufficient stock of spare mechanical seal
- Material for gasket

When ordering spare or repair parts, always give pump serial number and full description of part(s) required.

WARRANTY

FLO FAB pumps are guaranteed against defective workmanship and material for a period of twelve months from date of shipment from Manufacturing Plant. Should the pump fail within this warranty period, our responsibility is limited to the repair or replacement of defective parts, provided such are returned to our Plant, transportation prepaid. We do not accept liability for damage or break-down from causes beyond our control, or the result of reasonable wear nor for repair made, or attempted to be made without prior sanction, nor for any consequential damage resulting from the failure of a pump. The customer will assume all labour charges incurred in making the replacement or adjustment of the parts.

PLEASE NOTE THAT THERE IS NO GUARANTEE ON MECHANICAL SHAFT SEALS.

TROUBLE CHART

(SEE **KEY** IN THE NEXT PAGE)

SYMPTOMS	POSSIBLE CAUSES
Pump does not deliver water	1, 2, 3, 4, 6, 11, 14, 16, 17, 22, 23
Insufficient capacity delivered	2, 3, 4, 5, 6, 7, 8, 9, 10, 11, 14, 17, 20, 22, 23, 29, 30, 31
Insufficient pressure developed	5, 14, 16, 18, 19, 20, 23, 24, 26, 27, 29, 33, 34, 37
Pump loses prime after starting	2, 3, 5, 6, 7, 8, 11, 12, 13
Pump requires excessive power	15, 16, 18, 19, 20, 23, 24, 26, 27, 29, 33, 34, 37
Stuffing box leaks excessively	24, 26, 32, 33, 34, 35, 36, 38, 39, 40
Packing has short life	12, 13, 24, 26, 28, 32, 33, 34, 35, 36, 37, 38, 39, 40
Pump vibrates or is noisy	2, 3, 4, 9, 10, 11, 21, 23, 24, 25, 26, 27, 28, 30, 35, 36, 41, 42, 43, 44, 45, 46, 47
Bearings have short life	24, 26, 27, 28, 35, 36, 41, 42, 43, 44, 45, 46, 47
Pump overheats and seizes	1, 4, 21, 22, 24, 27, 28, 35, 36, 41





KEY

SUCTION TROUBLES

1. Pump not primed.
2. Pump or suction pipe not completely filled with liquid.
3. Suction lift too high.
4. Insufficient margin between suction pressure and vapor pressure (available NPSH too low).
5. Excessive amount of air or gas in liquid.
6. Air pocket in suction line.
7. Air leakage into suction line.
8. Air leakage into pump through stuffing boxes.
9. Foot valve too small.
10. Foot valve partially clogged.
11. Inlet of suction pipe insufficiently submerged.
12. Water seal pipe plugged.
13. Seal cage improperly located in stuffing box, preventing sealing fluid entering space to form the seal.

SYSTEM TROUBLES

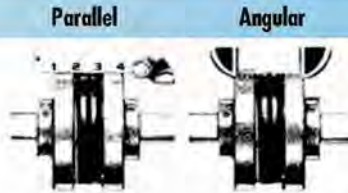
14. Speed too low.
15. Speed too high.
16. Wrong direction of rotation.
17. Total head of system higher than pump design head.
18. Total head of system lower than pump design head.

19. Specific gravity of liquid different than design.
20. Viscosity of liquid differs from that for which designed.
21. Operation at very low capacity.
22. Parallel operation of pumps unsuitable for such operation.

MECHANICAL TROUBLES

23. Foreign matter in impeller.
24. Misalignment.
25. Foundation not rigid.
26. Shaft bent.
27. Rotating part rubbing on stationary part.
28. Bearing worn.
29. Wearing rings worn.
30. Impeller damaged.
31. Casing gasket defective, permitting internal leakage.
32. Shaft or shaft sleeves worn or scored at the packing.
33. Packing improperly installed.
34. Incorrect type of packing for operation conditions.
35. Shaft running off-center due to worn bearings or misalignment.
36. Rotor out of balance resulting in vibration.
37. Gland too tight, resulting in no flow of liquid to packing.
38. Failure to provide cooling liquid to water-cooled stuffing boxes.
39. Excessive clearance at bottom of stuffing box between shaft and casing, causing packing to be forced into pump interior.
40. Dirt or grit in sealing liquid, leading to scoring of shaft or shaft sleeve.
41. Excessive thrust caused by a mechanical failure inside the pump or by the failure of the hydraulic balancing device, if any.
42. Excessive amount of grease or oil in the housing of an antifriction bearing or lack of cooling, causing excessive bearing temperature.
43. Lack of lubrications.
44. Improper installation of antifriction bearings (damage during assembly).
45. Dirt getting into bearings.
46. Rusting of bearings due to water getting into housing.
47. Excessive cooling of water-cooled bearing resulting in condensation in the bearing housing of moisture from the atmosphere.





FLANGES ASSEMBLY

With a two-piece sleeve, do not move the wire ring to its final position; allow it to hang loosely in the groove adjacent to the teeth.

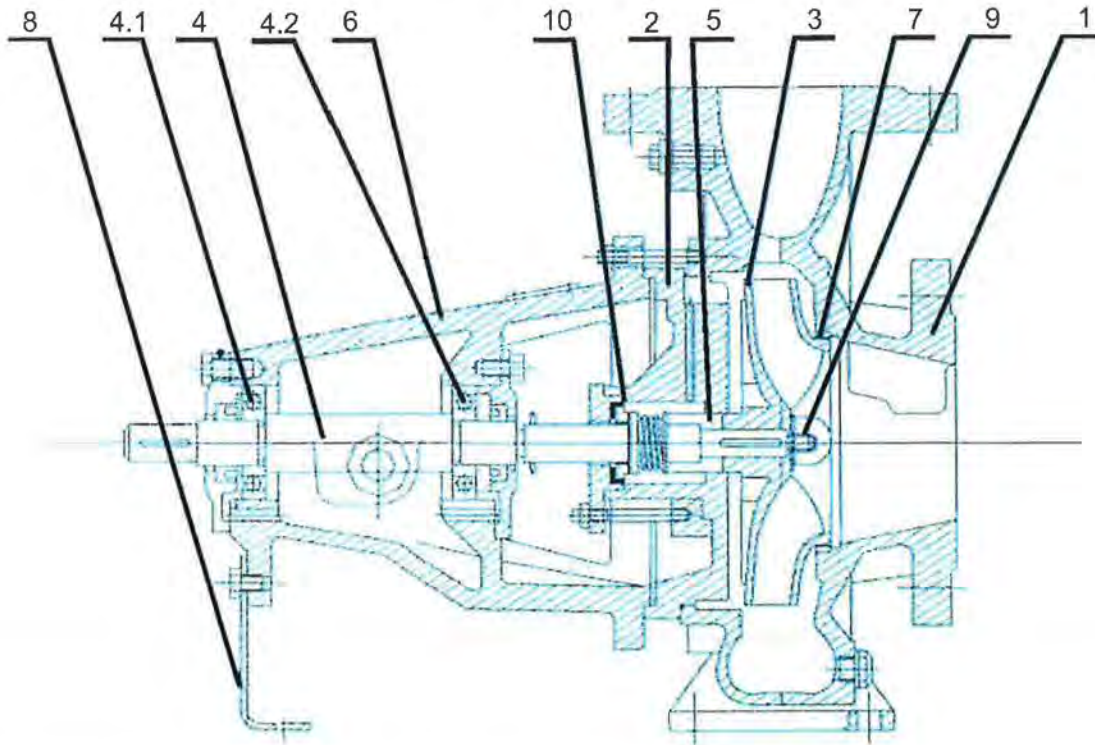
1. Slide the loose flange on the shaft until the sleeve is completely seated in the teeth of each flange (the "Y" dimension is for reference and not critical). Secure the flange to the shaft. Different coupling sleeves require different degrees of alignment precision. Locate the alignment precision and check the value for your sleeve size and type in the table.
2. Check parallel alignment by placing a straight-edge across the two couplings flanges and measuring the maximum offset at various points around the coupling. If the maximum offset exceeds the figure shown under Parallel in the table, realign the shaft.
3. Check angular alignment with a micrometer or caliper. Measure from the outside of one flange to the outside of the other at intervals around the periphery of the coupling. Determine the maximum and minimum dimensions without rotating the coupling. The difference between the maximum and minimum must not exceed the figure shown under Angular in the table. If a correction is necessary, be sure to recheck the parallel alignment.
4. If the coupling employs the two-piece sleeve with the wire ring, force the ring into its groove in the center of the sleeve. It may be necessary to pry the ring into position with a blunt screw-driver.
5. Install coupling guards per OSHA requirements.

**** Caution:** Coupling sleeves may be thrown from the coupling assembly with substantial force when the coupling is subjected to a severe shock load or abuse.**

MAXIMUM RPM AND ALLOWABLE MISALIGNMENT (DIMENSIONS IN INCHES)

SLEEVE SIZES	MAX. RPM	TYPES: JE, JN, JNS, E & N			TYPES: H & HS		
		PARALLEL	ANGULAR	Y	PARALLEL	ANGULAR	Y
3	9200	0.010	0.035	1.188	-----	-----	-----
4	7600	0.010	0.043	1.500	-----	-----	-----
5	7600	0.015	0.056	1.938	-----	-----	-----
6	6000	0.015	0.070	2.375	0.010	0.016	2.375
7	5250	0.020	0.081	2.563	0.012	0.020	2.563
8	4500	0.020	0.094	2.938	0.015	0.025	2.938
9	3750	0.025	0.109	3.500	0.017	0.028	3.500
10	3600	0.025	0.128	4.063	0.020	0.032	4.063
11	3600	0.032	0.151	4.875	0.022	0.037	4.875
12	2800	0.032	0.175	5.688	0.025	0.042	5.688
13	2400	0.040	0.195	6.688	0.030	0.050	6.625
14	2200	0.045	0.242	7.750	0.035	0.060	7.750
16	1500	0.062	0.330	10.250	-----	-----	-----

SERIES 2600 HORIZONTAL END SUCTION



Code	Parts Name	Standard Material	Code	Optional Material
01	Pump Casing	Cast Iron ASTM48 CLASS 30	01-4	Stainless Steel AINSI 420
02	Bracket	Cast Iron ASTM48 CLASS 30		
03-3	Impeller	Bronze ASTMB58 4C87400	03-1	Cast Iron ASTM48 CLASS 30
04-4	Shaft	Stainless Steel AINSI 420	04-5	Steel
04-1	Ball Bearing	Steel		
04-2	Ball Bearing	Steel		
05-4	Shaft Sleeve	Stainless Steel AINSI 420	05-3	Bronze ASTMB58 4C87400
06	Bearing Bracket	Cast Iron ASTM48 CLASS 30		
07-1	Wearing	Cast Iron ASTM48 CLASS 30	07-3	Bronze ASTMB58 4C87400
07-1F	Front Wearing	Cast Iron ASTM48 CLASS 30	07-1-3F	Bronze ASTMB58 4C87400
07-1B	Back Wearing	Cast Iron ASTM48 CLASS 30	07-1-3B	Bronze ASTMB58 4C87400
08	Support Feet	Cast Iron ASTM48 CLASS 30		
09-4	Impeller Nut	Stainless Steel AINSI 420		
10	Mechanical Seal	As Per Working Condition		
11	Casing Gasket	Fiber Gasket Vellumoid		
12				

* Sometime Front & Back Wearing Are Different, Please Check With Factory.

2011/08/18

CODE: 1 CAST IRON
2 BRASS
3 BRONZE
4 STAINLESS STEEL
5 STEEL

Suitable for :

32H13	32H16	32H20	32H26	
40H13	40H16	40H20	40H26	40H32
50H13	50H16	50H20	50H26	50H32
65H13	65H16	65H20	65H26	65H32
	80H16	80H20	80H26	80H32
	100H16	100H20	100H26	100H32
		125H20	125H26	125H32
		150H20	150H26	150H32
			200H32	200H40
			250H32	250H40

SPARE PARTS <u>CODE</u> FOR SERIES 2600 PUMP		
√	MODEL & SIZE	CODE
	2X1.25-5.5	32H13
	2X1.25-7	32H16
	2X1.25-8.5	32H20
	2X1.25-10.5	32H26
	2.5X1.5-5.5	40H13
	2.5X1.5-7	40H16
	2.5X1.5-8.5	40H20
	2.5X1.5-10.5	40H26
	2.5X1.5-13	40H32
	2.5X2-5.5	50H13
	2.5X2-7	50H16
	2.5X2-8.5	50H20
	2.5X2-10.5	50H26
	2.5X2-13	50H32
	3X2.5-5.5	65H13
	3X2.5-7	65H16
	3X2.5-8.5	65H20
	3X2.5-10.5	65H26
	3X2.5-13	65H32
	4X3-7	80H16
	4X3-8.5	80H20
	4X3-10.5	80H26
	4X3-13	80H32
	4X3-16	80H40
	5X4-7	100H16
	5X4-8.5	100H20
	5X4-10.5	100H26
	5X4-13	100H32
	5X4-16	100H40
	6X5-8.5	125H20
	6X5-10.5	125H26
	6X5-13	125H32
	6X5-16	125H40
	8X6-8	150H20
	8X6-10.5	150H26
	8X6-13	150H32
	8X6-16	150H40
	10X8-13	200H32
	10X8-16	200H40
	12X10-13	250H32
	12X10-16	250H40

Series 2500	Pump serial no				page 1 of 1
Model					
ZX1 25X5 5-32H13					
*	recommended spares				
NO	PARTS NAME	PART NUMBER	STANDARD MATERIAL	PART NUMBER	OPTIONAL MATERIAL
1	volute casing	32H13-01	cast iron ASTMA48CL 30		bronze ASTMB584C87400
1.1	volute casing				stainless steel 304
1.2	volute casing				ductile iron 300 PSI GGG50
1.3	volute casing				cast steel ASTMA216WCB
2	bracket	32H13-02	cast iron ASTMA48CL 30		
*3	impeller	32H13-03-1	cast iron ASTMA48CL 30	32H13-03-3	bronze ASTMB584C87400
*4	pump shaft	32H13-04-4	stainless steel 304		
*4.1	ball bearing	32H13-4-1	steel		
*4.2	ball bearing	32H13-4.2	steel		
*5	shaft sleeve	32H13-05-4	stainless steel AINSI 420		
6	bearing bracket	32H13-06	cast iron ASTMA48CL 30		
*7	wearing	32H13-07-1	cast iron ASTMA48CL 30	36H13-07-3	bronze ASTMB584C87400
8	foot support	32H13-08	cast iron ASTMA48CL 30		
9	impeller nut	32H13-09	stainless steel AINSI 420		
10	mechanical seal	32H13-10	viton/ceramic vs carbon w/stainless steel spring		as per client conditions
11	casing gasket	32H13-11	fiber gasket vellumoid		

Series 2600	Pump serial no _____				page 1 of 1
Model					
2X1 25X7-32H16					
*	recommended spares				
NO	PARTS NAME	PART NUMBER	STANDARD MATERIAL	PART NUMBER	OPTIONAL MATERIAL
1	volute casing	32H16-01	cast iron ASTMA48CL 30		bronze ASTMB584C87400
1.1	volute casing				stainless steel 304
1.2	volute casing				ductile iron 300 PSI GGG50
1.3	volute casing				cast steel ASTMA216WCB
2	bracket	32H16-02	cast iron ASTMA48CL 30		
*3	impeller	32H16-03-1	cast iron ASTMA48CL 30	32H16-03-3	bronze ASTMB584C87400
*4	pump shaft	32H16-04-4	stainless steel 304		
*4.1	ball bearing	32H16-4-1	steel		
*4.2	ball bearing	32H16-4.2	steel		
*5	shaft sleeve	32H16-05-4	stainless steel AINSI 420		
6	bearing bracket	32H16-06	cast iron ASTMA48CL 30		
*7	wearing	32H16-07-1	cast iron ASTMA48CL 30	36H16-07-3	bronze ASTMB584C87400
8	foot support	32H16-08	cast iron ASTMA48CL 30		
9	impeller nut	32H16-09	stainless steel AINSI 420		
10	mechanical seal	32H16-10	viton/ceramic vs carbon w/stainless steel spring		as per client conditions
11	casing gasket	32H16-11	fiber gasket vellumoid		

Series 2500	Pump serial no				page 1 of 1
Model					
2X1 25X8 5-32H20					
*	recommended spares				
NO	PARTS NAME	PART NUMBER	STANDARD MATERIAL	PART NUMBER	OPTIONAL MATERIAL
1	volute casing	32H20-01	cast iron ASTMA48CL 30		bronze ASTMB584C87400
1.1	volute casing				stainless steel 304
1.2	volute casing				ductile iron 300 PSI GGG50
1.3	volute casing				cast steel ASTMA216WCB
2	bracket	32H20-02	cast iron ASTMA48CL 30		
*3	impeller	32H20-03-1	cast iron ASTMA48CL 30	32H20-03-3	bronze ASTMB584C87400
*4	pump shaft	32H20-04-4	stainless steel 304		
*4.1	ball bearing	32H20-4-1	steel		
*4.2	ball bearing	32H20-4.2	steel		
*5	shaft sleeve	32H20-05-4	stainless steel AINSI 420		
6	bearing bracket	32H20-06	cast iron ASTMA48CL 30		
*7	wearing	32H20-07-1	cast iron ASTMA48CL 30	36H20-07-3	bronze ASTMB584C87400
8	foot support	32H20-08	cast iron ASTMA48CL 30		
9	impeller nut	32H20-09	stainless steel AINSI 420		
10	mechanical seal	32H20-10	viton/ceramic vs carbon w/stainless steel spring		as per client conditions
11	casing gasket	32H20-11	fiber gasket vellumoid		

Series 2600	Pump serial no				page 1 of 1
Model					
2X1 25X10 S-32H26					
*	recommended spares				
NO	PARTS NAME	PART NUMBER	STANDARD MATERIAL	PART NUMBER	OPTIONAL MATERIAL
1	volute casing	32H26-01	cast iron ASTMA48CL 30		bronze ASTMB584C87400
1.1	volute casing				stainless steel 304
1.2	volute casing				ductile iron 300 PSI GGG50
1.3	volute casing				cast steel ASTMA216WCB
2	bracket	32H26-02	cast iron ASTMA48CL 30		
*3	impeller	32H26-03-1	cast iron ASTMA48CL 30	32H26-03-3	bronze ASTMB584C87400
*4	pump shaft.	32H26-04-4	stainless steel 304		
*4.1	ball bearing	32H26-4-1	steel		
*4.2	ball bearing	32H26-4.2	steel		
*5	shaft sleeve	32H26-05-4	stainless steel AINSI 420		
6	bearing bracket	32H26-06	cast iron ASTMA48CL 30		
*7	wearing	32H26-07-1	cast iron ASTMA48CL 30	36H26-07-3	bronze ASTMB584C87400
8	foot support	32H26-08	cast iron ASTMA48CL 30		
9	impeller nut	32H26-09	stainless steel AINSI 420		
10	mechanical seal	32H26-10	viton/ceramic vs carbon w/stainless steel spring		as per client conditions
11	casing gasket	32H26-11	fiber gasket vellumoid		

Series 2500	Pump serial no				page 1 of 1
Model					
2.5X1.5X5.5-40H13					
*	recommended spares				
NO	PARTS NAME	PART NUMBER	STANDARD MATERIAL	PART NUMBER	OPTIONAL MATERIAL
1	volute casing	40H13-01	cast iron ASTMA48CL 30		bronze ASTMB584C87400
1.1	volute casing				stainless steel 304
1.2	volute casing				ductile iron 300 PSI GGG50
1.3	volute casing				cast steel ASTMA216WCB
2	bracket	40H13-02	cast iron ASTMA48CL 30		
*3	impeller	40H13-03-1	cast iron ASTMA48CL 30	40H13-03-3	bronze ASTMB584C87400
*4	pump shaft	40H13-04-4	stainless steel 304		
*4.1	ball bearing	40H13-4-1	steel		
*4.2	ball bearing	40H13-4.2	steel		
*5	shaft sleeve	40H13-05-4	stainless steel AINSI 420		
6	bearing bracket	40H13-06	cast iron ASTMA48CL 30		
*7	wearing	40H13-07-1	cast iron ASTMA48CL 30	40H13-07-3	bronze ASTMB584C87400
8	foot support	40H13-08	cast iron ASTMA48CL 30		
9	impeller nut	40H13-09	stainless steel AINSI 420		
10	mechanical seal	40H13-10	viton/ceramic vs carbon w/stainless steel spring		as per client conditions
11	casing gasket	40H13-11	fiber gasket vellumoid		

Series 2500	Pump serial no				page 1 of 1
Model					
2 5X1 5X7-40H16					
*	recommended spares				
NO	PARTS NAME	PART NUMBER	STANDARD MATERIAL	PART NUMBER	OPTIONAL MATERIAL
1	volute casing	40H16-01	cast iron ASTMA48CL 30		bronze ASTMB584C87400
1.1	volute casing				stainless steel 304
1.2	volute casing				ductile iron 300 PSI GGG50
1.3	volute casing				cast steel ASTMA216WCB
2	bracket	40H16-02	cast iron ASTMA48CL 30		
*3	impeller	40H16-03-1	cast iron ASTMA48CL 30	40H16-03-3	bronze ASTMB584C87400
*4	pump shaft	40H16-04-4	stainless steel 304		
*4.1	ball bearing	40H16-4-1	steel		
*4.2	ball bearing	40H16-4.2	steel		
*5	shaft sleeve	40H16-05-4	stainless steel AINSI 420		
6	bearing bracket	40H16-06	cast iron ASTMA48CL 30		
*7	wearing	40H16-07-1	cast iron ASTMA48CL 30	40H16-07-3	bronze ASTMB584C87400
8	foot support	40H16-08	cast iron ASTMA48CL 30		
9	impeller nut	40H16-09	stainless steel AINSI 420		
10	mechanical seal	40H16-10	viton/ceramic vs carbon w/stainless steel spring		as per client conditions
11	casing gasket	40H16-11	fiber gasket vellumoid		

Series 200G	Pump serial no				page 1 of 1
Model					
2.5X-5X8.5-40H20					
*	recommended spares				
NO	PARTS NAME	PART NUMBER	STANDARD MATERIAL	PART NUMBER	OPTIONAL MATERIAL
1	volute casing	40H20-01	cast iron ASTMA48CL 30		bronze ASTMB584C87400
1.1	volute casing				stainless steel 304
1.2	volute casing				ductile iron 300 PSI GGG50
1.3	volute casing				cast steel ASTMA216WCB
2	bracket	40H20-02	cast iron ASTMA48CL 30		
*3	impeller	40H20-03-1	cast iron ASTMA48CL 30	40H20-03-3	bronze ASTMB584C87400
*4	pump shaft	40H20-04-4	stainless steel 304		
*4.1	ball bearing	40H20-4-1	steel		
*4.2	ball bearing	40H20-4.2	steel		
*5	shaft sleeve	40H20-05-4	stainless steel AINSI 420		
6	bearing bracket	40H20-06	cast iron ASTMA48CL 30		
*7	wearing	40H20-07-1	cast iron ASTMA48CL 30	40H20-07-3	bronze ASTMB584C87400
8	foot support	40H20-08	cast iron ASTMA48CL 30		
9	impeller nut	40H20-09	stainless steel AINSI 420		
10	mechanical seal	40H20-10	viton/ceramic vs carbon w/stainless steel spring		as per client conditions
11	casing gasket	40H20-11	fiber gasket vellumoid		

Series 2500	Pump serial no				page 1 of 1
Model					
2-5X1 5X10 7-40H26					
*	recommended spares				
NO	PARTS NAME	PART NUMBER	STANDARD MATERIAL	PART NUMBER	OPTIONAL MATERIAL
1	volute casing	40H26-01	cast iron ASTMA48CL 30		bronze ASTMB584C87400
1.1	volute casing				stainless steel 304
1.2	volute casing				ductile iron 300 PSI GGG50
1.3	volute casing				cast steel ASTMA216WCB
2	bracket	40H26-02	cast iron ASTMA48CL 30		
*3	impeller	40H26-03-1	cast iron ASTMA48CL 30	40H26-03-3	bronze ASTMB584C87400
*4	pump shaft	40H26-04-4	stainless steel 304		
*4.1	ball bearing	40H26-4-1	steel		
*4.2	ball bearing	40H26-4.2	steel		
*5	shaft sleeve	40H26-05-4	stainless steel AINSI 420		
6	bearing bracket	40H26-06	cast iron ASTMA48CL 30		
*7	wearing	40H26-07-1	cast iron ASTMA48CL 30	40H26-07-3	bronze ASTMB584C87400
8	foot support	40H26-08	cast iron ASTMA48CL 30		
9	impeller nut	40H26-09	stainless steel AINSI 420		
10	mechanical seal	40H26-10	viton/ceramic vs carbon w/stainless steel spring		as per client conditions
11	casing gasket	40H26-11	fiber gasket vellumoid		

Series 2800	Pump serial no				page 1 of 1
Model					
2 5X1 5X13-40H32					
*	recommended spares				
NO	PARTS NAME	PART NUMBER	STANDARD MATERIAL	PART NUMBER	OPTIONAL MATERIAL
1	volute casing	40H32-01	cast iron ASTMA48CL 30		bronze ASTMB584C87400
1.1	volute casing				stainless steel 304
1.2	volute casing				ductile iron 300 PSI GGG50
1.3	volute casing				cast steel ASTMA216WCB
2	bracket	40H32-02	cast iron ASTMA48CL 30		
*3	impeller	40H32-03-1	cast iron ASTMA48CL 30	40H32-03-3	bronze ASTMB584C87400
*4	pump shaft	40H32-04-4	stainless steel 304		
*4.1	ball bearing	40H32-4-1	steel		
*4.2	ball bearing	40H32-4.2	steel		
*5	shaft sleeve	40H32-05-4	stainless steel AINSI 420		
6	bearing bracket	40H32-06	cast iron ASTMA48CL 30		
*7	wearing	40H32-07-1	cast iron ASTMA48CL 30	40H32-07-3	bronze ASTMB584C87400
8	foot support	40H32-08	cast iron ASTMA48CL 30		
9	impeller nut	40H32-09	stainless steel AINSI 420		
10	mechanical seal	40H32-10	viton/ceramic vs carbon w/stainless steel spring		as per client conditions
11	casing gasket	40H32-11	fiber gasket vellumoid		

Series 2600	Pump serial no				page 1 of 1
Model					
2.5X2X5.5-50H13					
*	recommended spares				
NO	PARTS NAME	PART NUMBER	STANDARD MATERIAL	PART NUMBER	OPTIONAL MATERIAL
1	volute casing	50H13-01	cast iron ASTMA48CL 30		bronze ASTMB584C87400
1.1	volute casing				stainless steel 304
1.2	volute casing				ductile iron 300 PSI GGG50
1.3	volute casing				cast steel ASTMA216WCB
2	bracket	50H13-02	cast iron ASTMA48CL 30		
*3	impeller	50H13-03-1	cast iron ASTMA48CL 30	50H13-03-3	bronze ASTMB584C87400
*4	pump shaft	50H13-04-4	stainless steel 304		
*4.1	ball bearing	50H13-4-1	steel		
*4.2	ball bearing	50H13-4.2	steel		
*5	shaft sleeve	50H13-05-4	stainless steel AINSI 420		
6	bearing bracket	50H13-06	cast iron ASTMA48CL 30		
*7	wearing	50H13-07-1	cast iron ASTMA48CL 30	50H13-07-3	bronze ASTMB584C87400
8	foot support	50H13-08	cast iron ASTMA48CL 30		
9	impeller nut	50H13-09	stainless steel AINSI 420		
10	mechanical seal	50H13-10	viton/ceramic vs carbon w/stainless steel spring		as per client conditions
11	casing gasket	50H13-11	fiber gasket vellumoid		

Series 2500	Pump serial no _____				page 1 of 1
Model					
2 5X2X7-50H16					
*	recommended spares				
NO	PARTS NAME	PART NUMBER	STANDARD MATERIAL	PART NUMBER	OPTIONAL MATERIAL
1	volute casing	50H16-01	cast iron ASTMA48CL 30		bronze ASTMB584C87400
1.1	volute casing				stainless steel 304
1.2	volute casing				ductile iron 300 PSI GGG50
1.3	volute casing				cast steel ASTMA216WCB
2	bracket	50H16-02	cast iron ASTMA48CL 30		
*3	impeller	50H16-03-1	cast iron ASTMA48CL 30	50H16-03-3	bronze ASTMB584C87400
*4	pump shaft	50H16-04-4	stainless steel 304		
*4.1	ball bearing	50H16-4-1	steel		
*4.2	ball bearing	50H16-4.2	steel		
*5	shaft sleeve	50H16-05-4	stainless steel AINSI 420		
6	bearing bracket	50H16-06	cast iron ASTMA48CL 30		
*7	wearing	50H16-07-1	cast iron ASTMA48CL 30	50H16-07-3	bronze ASTMB584C87400
8	foot support	50H16-08	cast iron ASTMA48CL 30		
9	impeller nut	50H16-09	stainless steel AINSI 420		
10	mechanical seal	50H16-10	viton/ceramic vs carbon w/stainless steel spring		as per client conditions
11	casing gasket	50H16-11	fiber gasket vellumoid		

Series 2600	Pump serial no				page 1 of 1
Model					
2.5X2X8.5-50H20					
*	recommended spares				
NO	PARTS NAME	PART NUMBER	STANDARD MATERIAL	PART NUMBER	OPTIONAL MATERIAL
1	volute casing	50H20-01	cast iron ASTMA48CL 30		bronze ASTMB584C87400
1.1	volute casing				stainless steel 304
1.2	volute casing				ductile iron 300 PSI GGG50
1.3	volute casing				cast steel ASTMA216WCB
2	bracket	50H20-02	cast iron ASTMA48CL 30		
*3	impeller	50H20-03-1	cast iron ASTMA48CL 30	50H20-03-3	bronze ASTMB584C87400
*4	pump shaft	50H20-04-4	stainless steel 304		
*4.1	ball bearing	50H20-4-1	steel		
*4.2	ball bearing	50H20-4.2	steel		
*5	shaft sleeve	50H20-05-4	stainless steel AINSI 420		
6	bearing bracket	50H20-06	cast iron ASTMA48CL 30		
*7	wearing	50H20-07-1	cast iron ASTMA48CL 30	50H20-07-3	bronze ASTMB584C87400
8	foot support	50H20-08	cast iron ASTMA48CL 30		
9	impeller nut	50H20-09	stainless steel AINSI 420		
10	mechanical seal	50H20-10	viton/ceramic vs carbon w/stainless steel spring		as per client conditions
11	casing gasket	50H20-11	fiber gasket vellumoid		

Series 2600	Pump serial no _____				page 1 of 1
Model					
2 50X2X10 E-50H26					
*	recommended spares				
NO	PARTS NAME	PART NUMBER	STANDARD MATERIAL	PART NUMBER	OPTIONAL MATERIAL
1	volute casing	50H26-01	cast iron ASTMA48CL 30		bronze ASTMB584C87400
1.1	volute casing				stainless steel 304
1.2	volute casing				ductile iron 300 PSI GGG50
1.3	volute casing				cast steel ASTMA216WCB
2	bracket	50H26-02	cast iron ASTMA48CL 30		
*3	impeller	50H26-03-1	cast iron ASTMA48CL 30	50H26-03-3	bronze ASTMB584C87400
*4	pump shaft.	50H26-04-4	stainless steel 304		
*4.1	ball bearing	50H26-4-1	steel		
*4.2	ball bearing	50H26-4.2	steel		
*5	shaft sleeve	50H26-05-4	stainless steel AINSI 420		
6	bearing bracket	50H26-06	cast iron ASTMA48CL 30		
*7	wearing	50H26-07-1	cast iron ASTMA48CL 30	50H26-07-3	bronze ASTMB584C87400
8	foot support	50H26-08	cast iron ASTMA48CL 30		
9	impeller nut	50H26-09	stainless steel AINSI 420		
10	mechanical seal	50H26-10	viton/ceramic vs carbon w/stainless steel spring		as per client conditions
11	casing gasket	50H26-11	fiber gasket vellumoid		

Series 2500	Pump serial no				page 1 of 1
Model					
3X2 EXS 65H13					
*	recommended spares				
NO	PARTS NAME	PART NUMBER	STANDARD MATERIAL	PART NUMBER	OPTIONAL MATERIAL
1	volute casing	65H13-01	cast iron ASTMA48CL 30		bronze ASTMB584C87400
1.1	volute casing				stainless steel 304
1.2	volute casing				ductile iron 300 PSI GGG50
1.3	volute casing				cast steel ASTMA216WCB
2	bracket	65H13-02	cast iron ASTMA48CL 30		
*3	impeller	65H13-03-1	cast iron ASTMA48CL 30	65H13-03-3	bronze ASTMB584C87400
*4	pump shaft	65H13-04-4	stainless steel 304		
*4.1	ball bearing	65H13-4-1	steel		
*4.2	ball bearing	65H13-4.2	steel		
*5	shaft sleeve	65H13-05-4	stainless steel AINSI 420		
6	bearing bracket	65H13-06	cast iron ASTMA48CL 30		
*7	wearing	65H13-07-1	cast iron ASTMA48CL 30	65H13-07-3	bronze ASTMB584C87400
8	foot support	65H13-08	cast iron ASTMA48CL 30		
9	impeller nut	65H13-09	stainless steel AINSI 420		
10	mechanical seal	65H13-10	viton/ceramic vs carbon w/stainless steel spring		as per client conditions
11	casing gasket	65H13-11	fiber gasket vellumoid		

Series 2600	Pump serial no				page 1 of 3
Model					
3X2 5X7-65H16					
*	recommended spares				
NO	PARTS NAME	PART NUMBER	STANDARD MATERIAL	PART NUMBER	OPTIONAL MATERIAL
1	volute casing	65H16-01	cast iron ASTMA48CL 30		bronze ASTMB584C87400
1.1	volute casing				stainless steel 304
1.2	volute casing				ductile iron 300 PSI GGG50
1.3	volute casing				cast steel ASTMA216WCB
2	bracket	65H16-02	cast iron ASTMA48CL 30		
*3	impeller	65H16-03-1	cast iron ASTMA48CL 30	65H16-03-3	bronze ASTMB584C87400
*4	pump shaft.	65H16-04-4	stainless steel 304		
*4.1	ball bearing	65H16-4-1	steel		
*4.2	ball bearing	65H16-4.2	steel		
*5	shaft sleeve	65H16-05-4	stainless steel AINSI 420		
6	bearing bracket	65H16-06	cast iron ASTMA48CL 30		
*7	wearing	65H16-07-1	cast iron ASTMA48CL 30	65H16-07-3	bronze ASTMB584C87400
8	foot support	65H16-08	cast iron ASTMA48CL 30		
9	impeller nut	65H16-09	stainless steel AINSI 420		
10	mechanical seal	65H16-10	viton/ceramic vs carbon w/stainless steel spring		as per client conditions
11	casing gasket	65H16-11	fiber gasket vellumoid		

Series 2600	Pump serial no				page 1 of 1
Model					
3X2 5X8 5-65H20					
*	recommended spares				
NO	PARTS NAME	PART NUMBER	STANDARD MATERIAL	PART NUMBER	OPTIONAL MATERIAL
1	volute casing	65H20-01	cast iron ASTMA48CL 30		bronze ASTMB584C87400 stainless steel 304
1.1	volute casing				ductile iron 300 PSI GGG50
1.2	volute casing				cast steel ASTMA216WCB
1.3	volute casing				
2	bracket	65H20-02	cast iron ASTMA48CL 30		
*3	impeller	65H20-03-1	cast iron ASTMA48CL 30	65H20-03-3	bronze ASTMB584C87400
*4	pump shaft	65H20-04-4	stainless steel 304		
*4.1	ball bearing	65H20-4-1	steel		
*4.2	ball bearing	65H20-4.2	steel		
*5	shaft sleeve	65H20-05-4	stainless steel AINSI 420		
6	bearing bracket	65H20-06	cast iron ASTMA48CL 30		
*7	wearing	65H20-07-1	cast iron ASTMA48CL 30	65H20-07-3	bronze ASTMB584C87400
8	foot support	65H20-08	cast iron ASTMA48CL 30		
9	impeller nut	65H20-09	stainless steel AINSI 420		
10	mechanical seal	65H20-10	viton/ceramic vs carbon w/stainless steel spring		as per client conditions
11	casing gasket	65H20-11	fiber gasket vellumoid		

Series 2500	Pump serial no				page 1 of 1
Model					
3X2.5X10.5-65H26					
*	recommended spares				
NO	PARTS NAME	PART NUMBER	STANDARD MATERIAL	PART NUMBER	OPTIONAL MATERIAL
1	volute casing	65H26-01	cast iron ASTMA48CL 30		bronze ASTMB584C87400
1.1	volute casing				stainless steel 304
1.2	volute casing				ductile iron 300 PSI GGG50
1.3	volute casing				cast steel ASTMA216WCB
2	bracket	65H26-02	cast iron ASTMA48CL 30		
*3	impeller	65H26-03-1	cast iron ASTMA48CL 30	65H26-03-3	bronze ASTMB584C87400
*4	pump shaft.	65H26-04-4	stainless steel 304		
*4.1	ball bearing	65H26-4-1	steel		
*4.2	ball bearing	65H26-4.2	steel		
*5	shaft sleeve	65H26-05-4	stainless steel AINSI 420		
6	bearing bracket	65H26-06	cast iron ASTMA48CL 30		
*7	wearing	65H26-07-1	cast iron ASTMA48CL 30	65H26-07-3	bronze ASTMB584C87400
8	foot support	65H26-08	cast iron ASTMA48CL 30		
9	impeller nut	65H26-09	stainless steel AINSI 420		
10	mechanical seal	65H26-10	viton/ceramic vs carbon w/stainless steel spring		as per client conditions
11	casing gasket	65H26-11	fiber gasket vellumoid		

Series 2600	Pump serial no				page 1 of 1
Model					
3X2 5X13-65H32					
*	recommended spares				
NO	PARTS NAME	PART NUMBER	STANDARD MATERIAL	PART NUMBER	OPTIONAL MATERIAL
1	volute casing	65H32-01	cast iron ASTMA48CL 30		bronze ASTMB584C87400
1.1	volute casing				stainless steel 304
1.2	volute casing				ductile iron 300 PSI GGG50
1.3	volute casing				cast steel ASTMA216WCB
2	bracket	65H32-02	cast iron ASTMA48CL 30		
*3	impeller	65H32-03-1	cast iron ASTMA48CL 30	65H32-03-3	bronze ASTMB584C87400
*4	pump shaft	65H32-04-4	stainless steel 304		
*4.1	ball bearing	65H32-4-1	steel		
*4.2	ball bearing	65H32-4.2	steel		
*5	shaft sleeve	65H32-05-4	stainless steel AINSI 420		
6	bearing bracket	65H32-06	cast iron ASTMA48CL 30		
*7	wearing	65H32-07-1	cast iron ASTMA48CL 30	65H32-07-3	bronze ASTMB584C87400
8	foot support	65H32-08	cast iron ASTMA48CL 30		
9	impeller nut	65H32-09	stainless steel AINSI 420		
10	mechanical seal	65H32-10	viton/ceramic vs carbon w/stainless steel spring		as per client conditions
11	casing gasket	65H32-11	fiber gasket vellumoid		

Series 2500	Pump serial no				page 1 of 1
Model					
4X3X1-80H16					
*	recommended spares				
NO	PARTS NAME	PART NUMBER	STANDARD MATERIAL	PART NUMBER	OPTIONAL MATERIAL
1	volute casing	80H16-01	cast iron ASTMA48CL 30		bronze ASTMB584C87400
1.1	volute casing				stainless steel 304
1.2	volute casing				ductile iron 300 PSI GGG50
1.3	volute casing				cast steel ASTMA216WCB
2	bracket	80H16-02	cast iron ASTMA48CL 30		
*3	impeller	80H16-03-1	cast iron ASTMA48CL 30	80H16-03-3	bronze ASTMB584C87400
*4	pump shaft.	80H16-04-4	stainless steel 304		
*4.1	ball bearing	80H16-4-1	steel		
*4.2	ball bearing	80H16-4.2	steel		
*5	shaft sleeve	80H16-05-4	stainless steel AINSI 420		
6	bearing bracket	80H16-06	cast iron ASTMA48CL 30		
*7	wearing	80H16-07-1	cast iron ASTMA48CL 30	80H16-07-3	bronze ASTMB584C87400
8	foot support	80H16-08	cast iron ASTMA48CL 30		
9	impeller nut	80H16-09	stainless steel AINSI 420		
10	mechanical seal	80H16-10	viton/ceramic vs carbon w/stainless steel spring		as per client conditions
11	casing gasket	80H16-11	fiber gasket vellumoid		

Series 2000	Pump serial no				page 1 of 1
Model					
4X3X3 5-80H20					
*	recommended spares				
NO	PARTS NAME	PART NUMBER	STANDARD MATERIAL	PART NUMBER	OPTIONAL MATERIAL
1	volute casing	80H20-01	cast iron ASTMA48CL 30		bronze ASTMB584C87400
1.1	volute casing				stainless steel 304
1.2	volute casing				ductile iron 300 PSI GGG50
1.3	volute casing				cast steel ASTMA216WCB
2	bracket	80H20-02	cast iron ASTMA48CL 30		
*3	impeller	80H20-03-1	cast iron ASTMA48CL 30	80H20-03-3	bronze ASTMB584C87400
*4	pump shaft.	80H20-04-4	stainless steel 304		
*4.1	ball bearing	80H20-4-1	steel		
*4.2	ball bearing	80H20-4.2	steel		
*5	shaft sleeve	80H20-05-4	stainless steel AINSI 420		
6	bearing bracket	80H20-06	cast iron ASTMA48CL 30		
*7	wearing	80H20-07-1	cast iron ASTMA48CL 30	80H20-07-3	bronze ASTMB584C87400
8	foot support	80H20-08	cast iron ASTMA48CL 30		
9	impeller nut	80H20-09	stainless steel AINSI 420		
10	mechanical seal	80H20-10	viton/ceramic vs carbon w/stainless steel spring		as per client conditions
11	casing gasket	80H20-11	fiber gasket vellumoid		

Series 2500	Pump serial no				page 1 of 1
Model					
4X3X10.5-80H26					
*	recommended spares				
NO	PARTS NAME	PART NUMBER	STANDARD MATERIAL	PART NUMBER	OPTIONAL MATERIAL
1	volute casing	80H26-01	cast iron ASTMA48CL 30		bronze ASTMB584C87400
1.1	volute casing				stainless steel 304
1.2	volute casing				ductile iron 300 PSI GGG50
1.3	volute casing				cast steel ASTMA216WCB
2	bracket	80H26-02	cast iron ASTMA48CL 30		
*3	impeller	80H26-03-1	cast iron ASTMA48CL 30	80H26-03-3	bronze ASTMB584C87400
*4	pump shaft	80H26-04-4	stainless steel 304		
*4.1	ball bearing	80H26-4-1	steel		
*4.2	ball bearing	80H26-4.2	steel		
*5	shaft sleeve	80H26-05-4	stainless steel AINSI 420		
6	bearing bracket	80H26-06	cast iron ASTMA48CL 30		
*7	wearing	80H26-07-1	cast iron ASTMA48CL 30	80H26-07-3	bronze ASTMB584C87400
8	foot support	80H26-08	cast iron ASTMA48CL 30		
9	impeller nut	80H26-09	stainless steel AINSI 420		
10	mechanical seal	80H26-10	viton/ceramic vs carbon w/stainless steel spring		as per client conditions
11	casing gasket	80H26-11	fiber gasket vellumoid		

Series 2500	Pump serial no				page 1 of 1
Model					
4X3X13-80H32					
*	recommended spares				
NO	PARTS NAME	PART NUMBER	STANDARD MATERIAL	PART NUMBER	OPTIONAL MATERIAL
1	volute casing	80H32-01	cast iron ASTMA48CL 30		bronze ASTMB584C87400
1.1	volute casing				stainless steel 304
1.2	volute casing				ductile iron 300 PSI GGG50
1.3	volute casing				cast steel ASTMA216WCB
2	bracket	80H32-02	cast iron ASTMA48CL 30		
*3	impeller	80H32-03-1	cast iron ASTMA48CL 30	80H32-03-3	bronze ASTMB584C87400
*4	pump shaft.	80H32-04-4	stainless steel 304		
*4.1	ball bearing	80H32-4-1	steel		
*4.2	ball bearing	80H32-4.2	steel		
*5	shaft sleeve	80H32-05-4	stainless steel AINSI 420		
6	bearing bracket	80H32-06	cast iron ASTMA48CL 30		
*7	wearing	80H32-07-1	cast iron ASTMA48CL 30	80H32-07-3	bronze ASTMB584C87400
8	foot support	80H32-08	cast iron ASTMA48CL 30		
9	impeller nut	80H32-09	stainless steel AINSI 420		
10	mechanical seal	80H32-10	viton/ceramic vs carbon w/stainless steel spring		as per client conditions
11	casing gasket	80H32-11	fiber gasket vellumoid		

Series 2000	Pump serial no				page 1 of 1
Model					
4X3X15-80H40					
*	recommended spares				
NO	PARTS NAME	PART NUMBER	STANDARD MATERIAL	PART NUMBER	OPTIONAL MATERIAL
1	volute casing	80H40-01	cast iron ASTMA48CL 30		bronze ASTMB584C87400
1.1	volute casing				stainless steel 304
1.2	volute casing				ductile iron 300 PSI GGG50
1.3	volute casing				cast steel ASTMA216WCB
2	bracket	80H40-02	cast iron ASTMA48CL 30		
*3	impeller	80H40-03-1	cast iron ASTMA48CL 30	80H40-03-3	bronze ASTMB584C87400
*4	pump shaft	80H40-04-4	stainless steel 304		
*4.1	ball bearing	80H40-4-1	steel		
*4.2	ball bearing	80H40-4.2	steel		
*5	shaft sleeve	80H40-05-4	stainless steel AINSI 420		
6	bearing bracket	80H40-06	cast iron ASTMA48CL 30		
*7	wearing	80H40-07-1	cast iron ASTMA48CL 30	80H40-07-3	bronze ASTMB584C87400
8	foot support	80H40-08	cast iron ASTMA48CL 30		
9	impeller nut	80H40-09	stainless steel AINSI 420		
10	mechanical seal	80H40-10	viton/ceramic vs carbon w/stainless steel spring		as per client conditions
11	casing gasket	80H40-11	fiber gasket vellumoid		

Series 2000	Pump serial no				page 1 of 1
Model					
5X4X7-100H16					
*	recommended spares				
NO	PARTS NAME	PART NUMBER	STANDARD MATERIAL	PART NUMBER	OPTIONAL MATERIAL
1	volute casing	100H16-01	cast iron ASTMA48CL 30		bronze ASTMB584C87400
1.1	volute casing				stainless steel 304
1.2	volute casing				ductile iron 300 PSI GGG50
1.3	volute casing				cast steel ASTMA216WCB
2	bracket	100H16-02	cast iron ASTMA48CL 30		
*3	impeller	100H16-03-1	cast iron ASTMA48CL 30	100H16-03-3	bronze ASTMB584C87400
*4	pump shaft.	100H16-04-4	stainless steel 304		
*4.1	ball bearing	100H16-4-1	steel		
*4.2	ball bearing	100H16-4.2	steel		
*5	shaft sleeve	100H16-05-4	stainless steel AINSI 420		
6	bearing bracket	100H16-06	cast iron ASTMA48CL 30		
*7	wearing	100H16-07-1	cast iron ASTMA48CL 30	100H16-07-3	bronze ASTMB584C87400
8	foot support	100H16-08	cast iron ASTMA48CL 30		
9	impeller nut	100H16-09	stainless steel AINSI 420		
10	mechanical seal	100H16-10	viton/ceramic vs carbon w/stainless steel spring		as per client conditions
11	casing gasket	100H16-11	fiber gasket vellumoid		

Series 2500	Pump serial no				page 1 of 1
Model:					
5X4X8 5-100H20					
*	recommended spares				
NO	PARTS NAME	PART NUMBER	STANDARD MATERIAL	PART NUMBER	OPTIONAL MATERIAL
1	volute casing	100H20-01	cast iron ASTMA48CL 30		bronze ASTMB584C87400
1.1	volute casing				stainless steel 304
1.2	volute casing				ductile iron 300 PSI GGG50
1.3	volute casing				cast steel ASTMA216WCB
2	bracket	100H20-02	cast iron ASTMA48CL 30		
*3	impeller	100H20-03-1	cast iron ASTMA48CL 30	100H20-03-3	bronze ASTMB584C87400
*4	pump shaft.	100H20-04-4	stainless steel 304		
*4.1	ball bearing	100H20-4-1	steel		
*4.2	ball bearing	100H20-4.2	steel		
*5	shaft sleeve	100H20-05-4	stainless steel AINSI 420		
6	bearing bracket	100H20-06	cast iron ASTMA48CL 30		
*7	wearing	100H20-07-1	cast iron ASTMA48CL 30	100H20-07-3	bronze ASTMB584C87400
8	foot support	100H20-08	cast iron ASTMA48CL 30		
9	impeller nut	100H20-09	stainless steel AINSI 420		
10	mechanical seal	100H20-10	viton/ceramic vs carbon w/stainless steel spring		as per client conditions
11	casing gasket	100H20-11	fiber gasket vellumoid		

Series 2900	Pump serial no				page 1 of 1
Model					
5X4X10.5-100H26					
*	recommended spares				
NO	PARTS NAME	PART NUMBER	STANDARD MATERIAL	PART NUMBER	OPTIONAL MATERIAL
1	volute casing	100H26-01	cast iron ASTMA48CL 30		bronze ASTMB584C87400
1.1	volute casing				stainless steel 304
1.2	volute casing				ductile iron 300 PSI GGG50
1.3	volute casing				cast steel ASTMA216WCB
2	bracket	100H26-02	cast iron ASTMA48CL 30		
*3	impeller	100H26-03-1	cast iron ASTMA48CL 30	100H26-03-3	bronze ASTMB584C87400
*4	pump shaft.	100H26-04-4	stainless steel 304		
*4.1	ball bearing	100H26-4-1	steel		
*4.2	ball bearing	100H26-4.2	steel		
*5	shaft sleeve	100H26-05-4	stainless steel AINSI 420		
6	bearing bracket	100H26-06	cast iron ASTMA48CL 30		
*7	wearing	100H26-07-1	cast iron ASTMA48CL 30	100H26-07-3	bronze ASTMB584C87400
8	foot support	100H26-08	cast iron ASTMA48CL 30		
9	impeller nut	100H26-09	stainless steel AINSI 420		
10	mechanical seal	100H26-10	viton/ceramic vs carbon w/stainless steel spring		as per client conditions
11	casing gasket	100H26-11	fiber gasket vellumoid		

Series 2000	Pump serial no				page 1 of 1
Model					
5X4X13-100H32					
*	recommended spares				
NO	PARTS NAME	PART NUMBER	STANDARD MATERIAL	PART NUMBER	OPTIONAL MATERIAL
1	volute casing	100H32-01	cast iron ASTMA48CL 30		bronze ASTMB584C87400
1.1	volute casing				stainless steel 304
1.2	volute casing				ductile iron 300 PSI GGG50
1.3	volute casing				cast steel ASTMA216WCB
2	bracket	100H32-02	cast iron ASTMA48CL 30		
*3	impeller	100H32-03-1	cast iron ASTMA48CL 30	100H32-03-3	bronze ASTMB584C87400
*4	pump shaft.	100H32-04-4	stainless steel 304		
*4.1	ball bearing	100H32-4-1	steel		
*4.2	ball bearing	100H32-4.2	steel		
*5	shaft sleeve	100H32-05-4	stainless steel AINSI 420		
6	bearing bracket	100H32-06	cast iron ASTMA48CL 30		
*7	wearing	100H32-07-1	cast iron ASTMA48CL 30	100H32-07-3	bronze ASTMB584C87400
8	foot support	100H32-08	cast iron ASTMA48CL 30		
9	impeller nut	100H32-09	stainless steel AINSI 420		
10	mechanical seal	100H32-10	viton/ceramic vs carbon w/stainless steel spring		as per client conditions
11	casing gasket	100H32-11	fiber gasket vellumoid		

Series 2000	Pump serial no				page 1 of 1
Model					
5X4X16-100H40					
*	recommended spares				
NO	PARTS NAME	PART NUMBER	STANDARD MATERIAL	PART NUMBER	OPTIONAL MATERIAL
1	volute casing	100H40-01	cast iron ASTMA48CL 30		bronze ASTMB584C87400 stainless steel 304
1.1	volute casing				ductile iron 300 PSI GGG50
1.2	volute casing				cast steel ASTMA216WCB
1.3	volute casing				
2	bracket	100H40-02	cast iron ASTMA48CL 30		
*3	impeller	100H40-03-1	cast iron ASTMA48CL 30	100H40-03-3	bronze ASTMB584C87400
*4	pump shaft.	100H40-04-4	stainless steel 304		
*4.1	ball bearing	100H40-4-1	steel		
*4.2	ball bearing	100H40-4.2	steel		
*5	shaft sleeve	100H40-05-4	stainless steel AINSI 420		
6	bearing bracket	100H40-06	cast iron ASTMA48CL 30		
*7	wearing	100H40-07-1	cast iron ASTMA48CL 30	100H40-07-3	bronze ASTMB584C87400
8	foot support	100H40-08	cast iron ASTMA48CL 30		
9	impeller nut	100H40-09	stainless steel AINSI 420		
10	mechanical seal	100H40-10	viton/ceramic vs carbon w/stainless steel spring		as per client conditions
11	casing gasket	100H40-11	fiber gasket vellumoid		

Series 2600	Pump serial no				page 1 of 1
Model					
6X5X8 5-125H20					
*	recommended spares				
NO	PARTS NAME	PART NUMBER	STANDARD MATERIAL	PART NUMBER	OPTIONAL MATERIAL
1	volute casing	125H20-01	cast iron ASTMA48CL 30		bronze ASTMB584C87400
1.1	volute casing				stainless steel 304
1.2	volute casing				ductile iron 300 PSI GGG50
1.3	volute casing				cast steel ASTMA216WCB
2	bracket	125H20-02	cast iron ASTMA48CL 30		
*3	impeller	125H20-03-1	cast iron ASTMA48CL 30	125H20-03-3	bronze ASTMB584C87400
*4	pump shaft.	125H20-04-4	stainless steel 304		
*4.1	ball bearing	125H20-4-1	steel		
*4.2	ball bearing	125H20-4.2	steel		
*5	shaft sleeve	125H20-05-4	stainless steel AINSI 420		
6	bearing bracket	125H20-06	cast iron ASTMA48CL 30		
*7	wearing	125H20-07-1	cast iron ASTMA48CL 30	125H20-07-3	bronze ASTMB584C87400
8	foot support	125H20-08	cast iron ASTMA48CL 30		
9	impeller nut	125H20-09	stainless steel AINSI 420		
10	mechanical seal	125H20-10	viton/ceramic vs carbon w/stainless steel spring		as per client conditions
11	casing gasket	125H20-11	fiber gasket vellumoid		

Genex 2600	Pump serial no				page 1 of 1
Model					
6X8X10.5-125H25					
*	recommended spares				
NO	PARTS NAME	PART NUMBER	STANDARD MATERIAL	PART NUMBER	OPTIONAL MATERIAL
1	volute casing	125H26-01	cast iron ASTMA48CL 30		bronze ASTMB584C87400
1.1	volute casing				stainless steel 304
1.2	volute casing				ductile iron 300 PSI GGG50
1.3	volute casing				cast steel ASTMA216WCB
2	bracket	125H26-02	cast iron ASTMA48CL 30		
*3	impeller	125H26-03-1	cast iron ASTMA48CL 30	125H26-03-3	bronze ASTMB584C87400
*4	pump shaft.	125H26-04-4	stainless steel 304		
*4.1	ball bearing	125H26-4-1	steel		
*4.2	ball bearing	125H26-4.2	steel		
*5	shaft sleeve	125H26-05-4	stainless steel AINSI 420		
6	bearing bracket	125H26-06	cast iron ASTMA48CL 30		
*7	wearing	125H26-07-1	cast iron ASTMA48CL 30	125H26-07-3	bronze ASTMB584C87400
8	foot support	125H26-08	cast iron ASTMA48CL 30		
9	impeller nut	125H26-09	stainless steel AINSI 420		
10	mechanical seal	125H26-10	viton/ceramic vs carbon w/stainless steel spring		as per client conditions
11	casing gasket	125H26-11	fiber gasket vellumoid		

Series 2600	Pump serial no				page 1 of 1
Model					
BX5X12-125H32					
*	recommended spares				
NO	PARTS NAME	PART NUMBER	STANDARD MATERIAL	PART NUMBER	OPTIONAL MATERIAL
1	volute casing	125H32-01	cast iron ASTMA48CL 30		bronze ASTMB584C87400
1.1	volute casing				stainless steel 304
1.2	volute casing				ductile iron 300 PSI GGG50
1.3	volute casing				cast steel ASTMA216WCB
2	bracket	125H32-02	cast iron ASTMA48CL 30		
*3	impeller	125H32-03-1	cast iron ASTMA48CL 30	125H32-03-3	bronze ASTMB584C87400
*4	pump shaft	125H32-04-4	stainless steel 304		
*4.1	ball bearing	125H32-4-1	steel		
*4.2	ball bearing	125H32-4.2	steel		
*5	shaft sleeve	125H32-05-4	stainless steel AINSI 420		
6	bearing bracket	125H32-06	cast iron ASTMA48CL 30		
*7	wearing	125H32-07-1	cast iron ASTMA48CL 30	125H32-07-3	bronze ASTMB584C87400
8	foot support	125H32-08	cast iron ASTMA48CL 30		
9	impeller nut	125H32-09	stainless steel AINSI 420		
10	mechanical seal	125H32-10	viton/ceramic vs carbon w/stainless steel spring		as per client conditions
11	casing gasket	125H32-11	fiber gasket vellumoid		

Series 2600	Pump serial no				page 1 of 1
Model					
6X5X15-125H40					
*	recommended spares				
NO	PARTS NAME	PART NUMBER	STANDARD MATERIAL	PART NUMBER	OPTIONAL MATERIAL
1	volute casing	125H40-01	cast iron ASTMA48CL 30		bronze ASTMB584C87400
1.1	volute casing				stainless steel 304
1.2	volute casing				ductile iron 300 PSI GGG50
1.3	volute casing				cast steel ASTMA216WCB
2	bracket	125H40-02	cast iron ASTMA48CL 30		
*3	impeller	125H40-03-1	cast iron ASTMA48CL 30	125H40-03-3	bronze ASTMB584C87400
*4	pump shaft.	125H40-04-4	stainless steel 304		
*4.1	ball bearing	125H40-4-1	steel		
*4.2	ball bearing	125H40-4.2	steel		
*5	shaft sleeve	125H40-05-4	stainless steel AINSI 420		
6	bearing bracket	125H40-06	cast iron ASTMA48CL 30		
*7	wearing	125H40-07-1	cast iron ASTMA48CL 30	125H40-07-3	bronze ASTMB584C87400
8	foot support	125H40-08	cast iron ASTMA48CL 30		
9	impeller nut	125H40-09	stainless steel AINSI 420		
10	mechanical seal	125H40-10	viton/ceramic vs carbon w/stainless steel spring		as per client conditions
11	casing gasket	125H40-11	fiber gasket vellumoid		

Series 2800	Pump serial no _____				page 1 of 1
Model					
8X6X8-150H20					
*	recommended spares				
NO	PARTS NAME	PART NUMBER	STANDARD MATERIAL	PART NUMBER	OPTIONAL MATERIAL
1	volute casing	150H20-01	cast iron ASTMA48CL 30		bronze ASTMB584C87400
1.1	volute casing				stainless steel 304
1.2	volute casing				ductile iron 300 PSI GGG50
1.3	volute casing				cast steel ASTMA216WCB
2	bracket	150H20-02	cast iron ASTMA48CL 30		
*3	impeller	150H20-03-1	cast iron ASTMA48CL 30	150H20-03-3	bronze ASTMB584C87400
*4	pump shaft.	150H20-04-4	stainless steel 304		
*4.1	ball bearing	150H20-4-1	steel		
*4.2	ball bearing	150H20-4.2	steel		
*5	shaft sleeve	150H20-05-4	stainless steel AINSI 420		
6	bearing bracket	150H20-06	cast iron ASTMA48CL 30		
*7	wearing	150H20-07-1	cast iron ASTMA48CL 30	150H20-07-3	bronze ASTMB584C87400
8	foot support	150H20-08	cast iron ASTMA48CL 30		
9	impeller nut	150H20-09	stainless steel AINSI 420		
10	mechanical seal	150H20-10	viton/ceramic vs carbon w/stainless steel spring		as per client conditions
11	casing gasket	150H20-11	fiber gasket vellumoid		

Series 2600	Pump serial no				page 1 of 1
Model					
8X6X10.5-150H26					
*	recommended spares				
NO	PARTS NAME	PART NUMBER	STANDARD MATERIAL	PART NUMBER	OPTIONAL MATERIAL
1	volute casing	150H26-01	cast iron ASTMA48CL 30		bronze ASTMB584C87400
1.1	volute casing				stainless steel 304
1.2	volute casing				ductile iron 300 PSI GGG50
1.3	volute casing				cast steel ASTMA216WCB
2	bracket	150H26-02	cast iron ASTMA48CL 30		
*3	impeller	150H26-03-1	cast iron ASTMA48CL 30	150H26-03-3	bronze ASTMB584C87400
*4	pump shaft.	150H26-04-4	stainless steel 304		
*4.1	ball bearing	150H26-4-1	steel		
*4.2	ball bearing	150H26-4.2	steel		
*5	shaft sleeve	150H26-05-4	stainless steel AINSI 420		
6	bearing bracket	150H26-06	cast iron ASTMA48CL 30		
*7	wearing	150H26-07-1	cast iron ASTMA48CL 30	150H26-07-3	bronze ASTMB584C87400
8	foot support	150H26-08	cast iron ASTMA48CL 30		
9	impeller nut	150H26-09	stainless steel AINSI 420		
10	mechanical seal	150H26-10	viton/ceramic vs carbon w/stainless steel spring		as per client conditions
11	casing gasket	150H26-11	fiber gasket vellumoid		

Series 2600	Pump serial no				Page 1 of 1
Model					
8X6X13-150H32					
*	recommended spares				
NO	PARTS NAME	PART NUMBER	STANDARD MATERIAL	PART NUMBER	OPTIONAL MATERIAL
1	volute casing	150H32-01	cast iron ASTMA48CL 30		bronze ASTMB584C87400
1.1	volute casing				stainless steel 304
1.2	volute casing				ductile iron 300 PSI GGG50
1.3	volute casing				cast steel ASTMA216WCB
2	bracket	150H32-02	cast iron ASTMA48CL 30		
*3	impeller	150H32-03-1	cast iron ASTMA48CL 30	150H32-03-3	bronze ASTMB584C87400
*4	pump shaft.	150H32-04-4	stainless steel 304		
*4.1	ball bearing	150H32-4-1	steel		
*4.2	ball bearing	150H32-4.2	steel		
*5	shaft sleeve	150H32-05-4	stainless steel AINSI 420		
6	bearing bracket	150H32-06	cast iron ASTMA48CL 30		
*7	wearing	150H32-07-1	cast iron ASTMA48CL 30	150H32-07-3	bronze ASTMB584C87400
8	foot support	150H32-08	cast iron ASTMA48CL 30		
9	impeller nut	150H32-09	stainless steel AINSI 420		
10	mechanical seal	150H32-10	viton/ceramic vs carbon w/stainless steel spring		as per client conditions
11	casing gasket	150H32-11	fiber gasket vellumoid		

Series 2600	Pump serial no				page 1 of 1
Model					
8X6X15 150H40					
*	recommended spares				
NO	PARTS NAME	PART NUMBER	STANDARD MATERIAL	PART NUMBER	OPTIONAL MATERIAL
1	volute casing	150H40-01	cast iron ASTMA48CL 30		bronze ASTMB584C87400
1.1	volute casing				stainless steel 304
1.2	volute casing				ductile iron 300 PSI GGG50
1.3	volute casing				cast steel ASTMA216WCB
2	bracket	150H40-02	cast iron ASTMA48CL 30		
*3	impeller	150H40-03-1	cast iron ASTMA48CL 30	150H40-03-3	bronze ASTMB584C87400
*4	pump shaft	150H40-04-4	stainless steel 304		
*4.1	ball bearing	150H40-4-1	steel		
*4.2	ball bearing	150H40-4.2	steel		
*5	shaft sleeve	150H40-05-4	stainless steel AINSI 420		
6	bearing bracket	150H40-06	cast iron ASTMA48CL 30		
*7	wearing	150H40-07-1	cast iron ASTMA48CL 30	150H40-07-3	bronze ASTMB584C87400
8	foot support	150H40-08	cast iron ASTMA48CL 30		
9	impeller nut	150H40-09	stainless steel AINSI 420		
10	mechanical seal	150H40-10	viton/ceramic vs carbon w/stainless steel spring		as per client conditions
11	casing gasket	150H40-11	fiber gasket vellumoid		

Series 2000	Pump serial no				page 1 of 1
Model					
10X5X13-200H32					
	recommended spares				
NO	PARTS NAME	PART NUMBER	STANDARD MATERIAL	PART NUMBER	OPTIONAL MATERIAL
1	volute casing	200H32-01	cast iron ASTMA48CL 30		bronze ASTMB584C87400
1.1	volute casing				stainless steel 304
1.2	volute casing				ductile iron 300 PSI GGG50
1.3	volute casing				cast steel ASTMA216WCB
2	bracket	200H32-02	cast iron ASTMA48CL 30		
*3	impeller	200H32-03-1	cast iron ASTMA48CL 30	200H32-03-3	bronze ASTMB584C87400
*4	pump shaft	200H32-04-4	stainless steel 304		
*4.1	ball bearing	200H32-4-1	steel		
*4.2	ball bearing	200H32-4.2	steel		
*5	shaft sleeve	200H32-05-4	stainless steel AINSI 420		
6	bearing bracket	200H32-06	cast iron ASTMA48CL 30		
*7	wearing	200H32-07-1	cast iron ASTMA48CL 30	200H32-07-3	bronze ASTMB584C87400
8	foot support	200H32-08	cast iron ASTMA48CL 30		
9	impeller nut	200H32-09	stainless steel AINSI 420		
10	mechanical seal	200H32-10	viton/ceramic vs carbon w/stainless steel spring		as per client conditions
11	casing gasket	200H32-11	fiber gasket vellumoid		

Series 2600	Pump serial no				page 1 of 1
Model					
10X8X16-200H40					
*	recommended spares				
NO	PARTS NAME	PART NUMBER	STANDARD MATERIAL	PART NUMBER	OPTIONAL MATERIAL
1	volute casing	200H40-01	cast iron ASTMA48CL 30		bronze ASTMB584C87400 stainless steel 304
1.1	volute casing				ductile iron 300 PSI GGG50
1.2	volute casing				cast steel ASTMA216WCB
1.3	volute casing				
2	bracket	200H40-02	cast iron ASTMA48CL 30		
*3	impeller	200H40-03-1	cast iron ASTMA48CL 30	200H40-03-3	bronze ASTMB584C87400
*4	pump shaft.	200H40-04-4	stainless steel 304		
*4.1	ball bearing	200H40-4-1	steel		
*4.2	ball bearing	200H40-4.2	steel		
*5	shaft sleeve	200H40-05-4	stainless steel AINSI 420		
6	bearing bracket	200H40-06	cast iron ASTMA48CL 30		
*7	wearing	200H40-07-1	cast iron ASTMA48CL 30	200H40-07-3	bronze ASTMB584C87400
8	foot support	200H40-08	cast iron ASTMA48CL 30		
9	impeller nut	200H40-09	stainless steel AINSI 420		
10	mechanical seal	200H40-10	viton/ceramic vs carbon w/stainless steel spring		as per client conditions
11	casing gasket	200H40-11	fiber gasket vellumoid		

Series 2800	Pump serial no				page 1 of 1
Model					
12X16X13-250H32					
*	recommended spares				
NO	PARTS NAME	PART NUMBER	STANDARD MATERIAL	PART NUMBER	OPTIONAL MATERIAL
1	volute casing	250H32-01	cast iron ASTMA48CL 30		bronze ASTMB584C87400
1.1	volute casing				stainless steel 304
1.2	volute casing				ductile iron 300 PSI GGG50
1.3	volute casing				cast steel ASTMA216WCB
2	bracket	250H32-02	cast iron ASTMA48CL 30		
*3	impeller	250H32-03-1	cast iron ASTMA48CL 30	250H32-03-3	bronze ASTMB584C87400
*4	pump shaft.	250H32-04-4	stainless steel 304		
*4.1	ball bearing	250H32-4-1	steel		
*4.2	ball bearing	250H32-4.2	steel		
*5	shaft sleeve	250H32-05-4	stainless steel AINSI 420		
6	bearing bracket	250H32-06	cast iron ASTMA48CL 30		
*7	wearing	250H32-07-1	cast iron ASTMA48CL 30	250H32-07-3	bronze ASTMB584C87400
8	foot support	250H32-08	cast iron ASTMA48CL 30		
9	impeller nut	250H32-09	stainless steel AINSI 420		
10	mechanical seal	250H32-10	viton/ceramic vs carbon w/stainless steel spring		as per client conditions
11	casing gasket	250H32-11	fiber gasket vellumoid		

Series 2800	Pump serial no _____				page 1 of 1
Model					
12X10X16-250H40					
*	recommended spares				
NO	PARTS NAME	PART NUMBER	STANDARD MATERIAL	PART NUMBER	OPTIONAL MATERIAL
1	volute casing	250H40-01	cast iron ASTMA48CL 30		bronze ASTMB584C87400 stainless steel 304
1.1	volute casing				ductile iron 300 PSI GGG50
1.2	volute casing				cast steel ASTMA216WCB
1.3	volute casing				
2	bracket	250H40-02	cast iron ASTMA48CL 30		
*3	impeller	250H40-03-1	cast iron ASTMA48CL 30	250H40-03-3	bronze ASTMB584C87400
*4	pump shaft.	250H40-04-4	stainless steel 304		
*4.1	ball bearing	250H40-4-1	steel		
*4.2	ball bearing	250H40-4.2	steel		
*5	shaft sleeve	250H40-05-4	stainless steel AINSI 420		
6	bearing bracket	250H40-06	cast iron ASTMA48CL 30		
*7	wearing	250H40-07-1	cast iron ASTMA48CL 30	250H40-07-3	bronze ASTMB584C87400
8	foot support	250H40-08	cast iron ASTMA48CL 30		
9	impeller nut	250H40-09	stainless steel AINSI 420		
10	mechanical seal	250H40-10	viton/ceramic vs carbon w/stainless steel spring		as per client conditions
11	casing gasket	250H40-11	fiber gasket vellumoid		

1A1 MODEL Cartridge Filter Housing



The 1A1 MODEL Cartridge Filter Housing is an all-metal, two-piece housing, featuring centerpost-type construction. The 1 A1 Model has a maximum operating temperature and pressure of 125 psig at 200°F. The 1A1 Model Cartridge Filter Housing has flow rates to up to 6 Gallons Per Minute (GPM).

APPLICABLE FILTER CARTRIDGES

Micro-Klean— III (Series U30)

Betapure—

DESIGN FEATURES

- All-metal, two-piece construction.
- Head and Sump Durable die-cast aluminum
- Mounting pads drilled to accept self-tapping screws provided with the optional mounting bracket.
- Centerpost-type design for easy cartridge changeout.

Options

- Mounting bracket; order separately.

STANDARD MODEL SPECIFICATIONS

Table 1 gives specifications for the 1A1 Model. Note that Maximum Operating Pressure is the rating for the housing only. Actual filter operating temperature depends on temperature capability of the filter cartridge used in the housing.

Operating Data	1A1 Model
Maximum Operating Pressure and Temperature	125 psi @ 200°F
Flow Rate (GPM)	See Table 2.
Materials of Construction	
Head and Sump	Die-Cast Aluminum
Centerpost	Stainless Steel
Head Gasket	Buna N & Cork
Cap-Nut Gasket	Fiber
Connection Sizes	3/8" NPTF
Cartridge Requirements	The model uses one filter cartridge. See "Cartridge Requirements" for more information.

TABLE 1 - SPECIFICATIONS

CARTRIDGE REQUIREMENTS

The 1A1 Model Cartridge Filter Housing uses one Micro-Klean III Cartridge or one Betapure Cartridge Filter.

FLOW RATES

Table 2 gives maximum flow rates in Gallons Per Minute (GPM) for the 1A1 Model Cartridge Filter Housings. Do not use Table 2 for filter sizing. Use the table as a guide only in establishing the housing flow rates. When you know the flow rate for a selected cartridge, then use the table to determine whether or not the housing is within the recommended flow rate. Remember to consider the amount of contaminant to be removed when selecting a filter.

Housing Model	Inlet / Outlet	FLOW (GPM)					
		Water	80 SSU	150 SSU	300 SSU	600 SSU	1000 SSU
1A1	3/8" NPTF	6	5	4.5	4	3.5	3

TABLE 2 - RECOMMENDED FLOW RATES

BENEFITS

- Long Service Life
- Quick and Easy Cartridge Change-out
- Reduced Down Time for Filter Change-out
- Reduced Labor Cost
- Uses Standard Filters
- Economical
- Easily Mounted to Wall or Support Structure



A UNIT OF COMMERCIAL INTERTECH CORP.

STANDARD MODEL DIMENSIONS

Table 3 gives dimensions in inches and shipping weight in pounds for the 1A1 Model Cartridge Filter Housing. These should be used for rough plumbing and approximate size definition. Note that figure 1 defines a length or width by a letter symbol in the top row. The square where the row and column meet is the selected dimension.

Model	A	B	C	D	Shipping Weight
1A1	6 3/16"	4 15/16"	3 1/2"	2 3/4"	3 lbs

TABLE 3. - 1A1 HOUSING DIMENSIONS

1A1 MODEL ORDERING GUIDE

Plant Code 01 Product Code 020

Model	Catalog Number	Mounting Bracket Kit*
1A1	44109-01	35581-05

* Order Separately

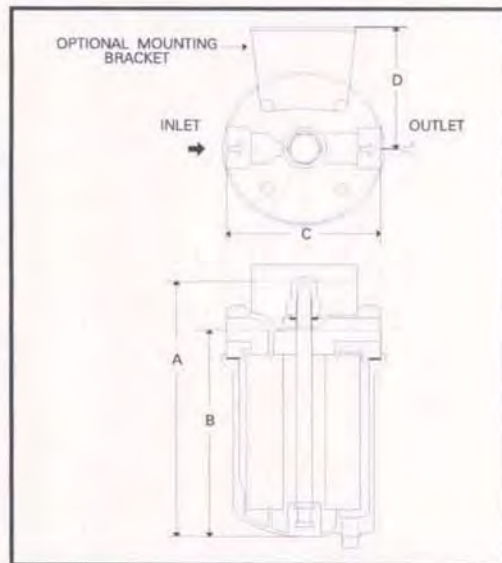


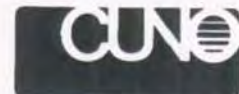
FIGURE 1. - 1A1 MODEL FILTER HOUSING

WARRANTY

Seller warrants its equipment against defects in workmanship and material for a period of 12 months from date of shipment from the factory under normal use and service and otherwise when such equipment is used in accordance with instructions furnished by Seller and for purposes disclosed in writing at the time of purchase, if any. Any unauthorized alteration or modification of the equipment by Buyer will void this warranty. Seller's liability under this warranty shall be limited to the replacement or repair, F.O.B., point of

manufacture, of any defective equipment or part which, having been returned to the factory, transportation charges prepaid, has been inspected and determined by Seller to be defective. THIS WARRANTY IS IN LIEU OF ANY OTHER WARRANTY, EITHER EXPRESSED OR IMPLIED, AS TO DESCRIPTION, QUALITY, MERCHANTABILITY, FITNESS FOR ANY PARTICULAR PURPOSE OR USE, OR ANY OTHER MATTER. Under no circumstances shall Seller be liable to Buyer or any third party for any loss of profits or

Your Local CUNO Distributor is:



Process Filtration Products

A UNIT OF COMMERCIAL INTERTECH CORP.

400 Research Parkway, Meriden, CT 06450, U.S.A.
 (203) 237-5541, 1-800-243-6894 TELEX: 221083
 FAX: (203) 238-8977 or (203) 238-8716

Terms and Conditions

LIMITED WARRANTY: We warrant to our immediate customer and to the ultimate consumer that products of our manufacture will be free of defects in material and workmanship under normal use and service for the following time periods, when installed and maintained in accordance with our instructions. Pumps Products: One (1) year from date of invoicing. As used herein, "the ultimate consumer" is defined as the purchaser who first uses the product after its initial installation or, in the case of product designed for non permanent installation, the first owner who used the product. It is the purchaser's or any sub-vendee's obligation to make know to the ultimate consumer the terms and conditions of this warranty. This warranty gives you specific legal rights, and there may also be other rights which vary from province to province. In the event the product is covered by the Consumer Product Warranty (1) the duration of any implied warranty associated with the product by virtue of said law is limited to the same duration as stated herein, (2) this warranty is a LIMITED WARRANTY, and (3) no claims of any nature whatsoever shall be made against us, until the ultimate consumer, his successor, or assigns, notifies us in writing of the defect, and delivers the product and/or defective part(s) freight prepaid to our factory or nearest authorized service station. THE SOLE AND EXCLUSIVE REMEDY FOR BREACH OF ANY AND ALL WARRANTIES WITH RESPECT TO ANY PRODUCT SHALL BE TO REPLACE OR REPAIR AT OUR ELECTION, F.O.B. POINT OF MANUFACTURE OR AUTHORIZED REPAIR STATION, SUCH PRODUCTS AND/OR PARTS REPAIR STATION, SUCH PRODUCTS AND/OR PARTS AS PROVEN DEFECTIVE. THERE SHALL BE NO FURTHER LIABILITY, WHETHER BASED ON WARRANTY, NEGLIGENCE OR OTHERWISE. Unless expressly stated otherwise guarantees in the nature of performance specifications furnished in addition to the foregoing material and workmanship warranties on a product manufactured by us, if any, are subject to laboratory tests corrected for field performance. Any additional guarantees, in the nature of performance specifications must be in writing and such writing must be signed by our authorized representative. Due to inaccuracies in field testing if a conflict arises between the results of field testing conducted by or for user, and laboratory test corrected for field performance, the latter shall control. Components or accessories supplied by us but manufactured by others are warranted only to the extent of and by the terms and conditions of the original manufacturer's warranty. RECOMMENDATIONS FOR SPECIAL APPLICATIONS OR THOSE RESULTING FROM SYSTEMS ANALYSES AND EVALUATIONS WE CONDUCT WILL BE BASED ON OUR BEST AVAILABLE EXPERIENCE AND PUBLISHED INDUSTRY INFORMATION. SUCH RECOMMENDATIONS DO NOT CONSTITUTE A WARRANTY OF SATISFACTORY PERFORMANCE AND NO SUCH WARRANTY IS GIVEN. This warranty shall not apply when damage is caused by (A) improper installation, (B) improper voltage (C) lightning (D) sand or other abrasive material (E) scale or corrosion build-up due to excessive chemical content. Any modification of the original equipment will also void the warranty. We will not be responsible for loss, damage or labour cost due to interruption of service caused by defective parts. Neither will we accept charges incurred by others without our prior written approval. This warranty is void if our inspection reveals the product was in a manner inconsistent with normal industry practice and/or our specific recommendations.

The purchaser is responsible for communication of all necessary information regarding the application and use of the product. UNDER NO CIRCUMSTANCES WILL BE RESPONSIBLE FOR ANY OTHER DIRECT OR CONSEQUENTIAL DAMAGES, INCLUDING BUT NOT LIMITED TO LOST PROFITS, LOST INCOME, LABOUR CHARGES, DELAYS IN PRODUCTION, IDLE PRODUCTION, WHICH DAMAGES ARE CAUSED BY ANY DEFECTS IN MATERIAL AND/OR WORKMANSHIP AND/OR DAMAGE OR DELAYS IN SHIPMENT. THIS WARRANTY IS EXPRESSLY IN LIEU OF ANY OTHER EXPRESS OR IMPLIED WARRANTY, INCLUDING ANY WARRANTY OF MERCHANTABILITY OR FITNESS FOR A PARTICULAR PURPOSE. No rights extended under this warranty shall be assigned to any other person, whether by operation of law or otherwise, without our prior written approval. If any litigation is commenced between the parties hereto for the enforcement of any rights hereunder, the successful party in subject litigation shall be entitled to receive from the unsuccessful party all costs incurred in connection therewith, including a reasonable amount of attorney's fees. YOUR ACCEPTANCE OF ANY GOODS SUPPLIED BY US, OR ON OUR BEHALF, SHALL, WITHOUT LIMITATION CONSTITUTE ACCEPTANCE OF ALL TERMS AND CONDITIONS STATED ABOVE.

PROJECT: _____
CONTRACTOR: _____
ENGINEER: _____
DATE: _____





Terms and Conditions

Our acceptance of your order is expressly conditioned on the general terms and conditions set forth below and all terms stated on the face of this form. The contract shall not include any deviating or additional terms unless expressly agreed to in writing and signed by an officer of our company.

PRICES: All prices are subject to change without notice and all shipments will be invoiced at the price in effect at the time of shipment, except when otherwise agreed to in writing by our authorized representative. Published prices are for products of our standard design and construction and any item not covered by the most recent published price list must be referred to us for special pricing. Prices do not include freight. Weights shown in price lists are approximate shipping weights. The amount of any applicable present or future tax or other government charge upon the production, sale, shipment or use of goods ordered or sold is not in the price and will be added to billing unless you provide us with an appropriate exemption certificate.

QUOTATION: Prices quoted by us are valid for 30 days from date of quotation unless we have otherwise specified in writing. Clerical errors on quotations are subject to our correction and such errors will not be binding.

CANCELLATION & REVISIONS: No purchase orders accepted and acknowledged by us may be cancelled or revised by you except with our prior written consent and upon payment of reasonable cancellation charges compensating us for all costs incurred in work done and material purchased. We reserve the right to determine what constitutes reasonable cancellation charges.

RETURN OF EQUIPMENT: No equipment shall be returned to us without first obtaining a written Returned Goods Authorization and shipping instruction from us. The returner must prepay the charges in full for transportation to our factory. Credit allowed for new, undamaged equipment of current standard design will be 80% of the invoiced price or current billing price, whichever is less. Equipment which has been used, however slight, will not be accepted. Authorization will not be given for return of equipment, (1) which would, in our opinion, result in an excess in the amount of stock we normally carry, (2) not invoiced within the last 3 months, or (3) which is non-standard and manufactured specifically to a buyer's specifications. For non-standard equipment not of our manufacture, the only credit allowed will be such credit as may be allowed by the manufacturer of such equipment. Equipment must be returned within 30 days of the issuance of the Returned Goods Authorization. No item with a net value of less than \$50.00 will be authorized for return. Unauthorized returns may be refused and/or returned freight collect.

CREDIT & PAYMENT: Payment is due as noted on our invoice. Overdue accounts are subject to a service charge. All orders are subject to approval of our credit department and we may require full or partial payment in advance. Pro rata payments shall become due as shipments are made. If the shipments are delayed by you for any cause, payments shall become due from date on which we are prepared to make shipment and storage shall be at your risk and expense. If manufacture is delayed by you for any

cause, a partial payment based upon the proportion of the order completed shall become due from the date on which we are notified of the delay.

SECURITY INTEREST: We shall have a lien on all goods sold as security for payment on the invoice price, and upon request you shall provide and execute a financing statement showing such lien.

DELIVERY: We will reasonable effort to meet your delivery requirement provided you provide us, on a timely basis, all approvals, technical data, instructions and credit approval requirements needed for release of the shipment. However, all delivery and/or shipment dates are estimates only unless we have expressly guaranteed delivery of such dates in writing at your specific request. In no event shall we have any liability if delivery is delayed by strikes, labour disturbances, material shortages, plant calamities or disaster, acts of God, government actions, civil disturbance, the failure of any pre-supposed condition of the contract, withholding shipments due to credit clearance, or other interferences beyond our reasonable control, and the date of delivery shall be extended for a period of time equal to the time lost because of any such reason.

SHIPPING: Unless you specify in writing and we acknowledge in writing, (A) goods will be boxed or crated as we may deem proper for protection against normal handling and for domestic shipment, (B) routing and manner of shipment will be at our discretion, and may be insured at your expense. An extra charge will be made for special handling. All shipments are F.O.B. point of manufacture. Delivery of goods to the initial carrier will constitute delivery to you and all goods will be shipped at your risk. A claim for loss or damage in transit must be entered with the carrier and prosecuted by you. Acceptance of material from a common carrier constitutes a waiver of any claims against us for delay, damage or loss.

GOVERNING LAW: It is understood and agreed that these Terms and Condition of Sale shall be interpreted under and pursuant to the laws of the Province of Quebec; you agree that any action at law which is related to any contract of sale brought against the company shall be filed in the appropriate court located in the Province of Quebec.

PROJECT: _____
CONTRACTOR: _____
ENGINEER: _____
DATE: _____



FF

FLO FAB



**Manufacturer of Pumps, Tanks, Heat Exchangers & Accessories
for HVAC Market After-Sales Parts and Services**

www.flofab.com

FLO-FAB INC
LAKE WORTH,
FLORIDA, USA

SEPTEMBER 2009