

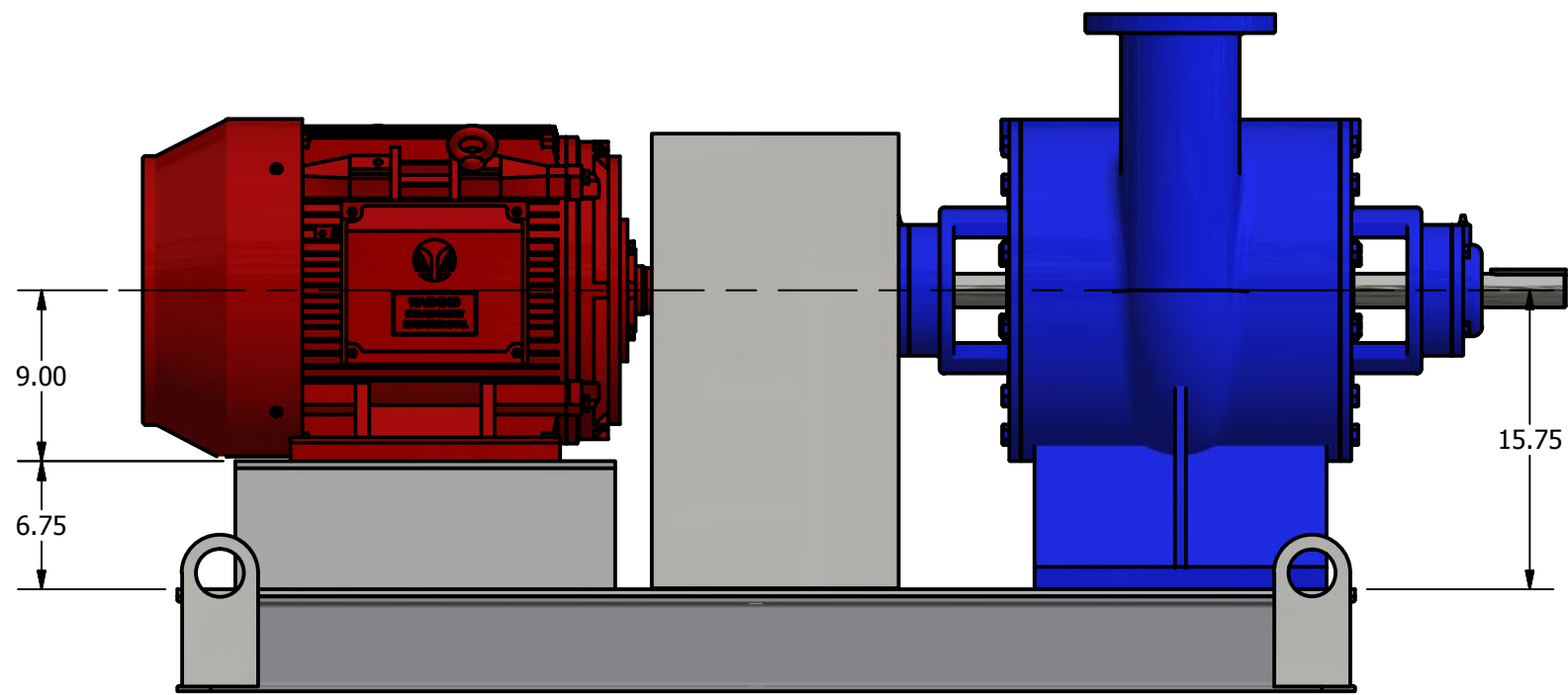
PARTS LIST		
ITE	ITEM QT	DESCRIPTION
1	1	SKID
2	1	4800-8X5-15.1 L
3	1	MOTOR - 60HP 1750RPM 364T
4	1	COUPLING GUARD
7	1	

DRAWING %	
FABRICATION	
100%	
90%	X
75%	
50%	
PRELIMINARY	

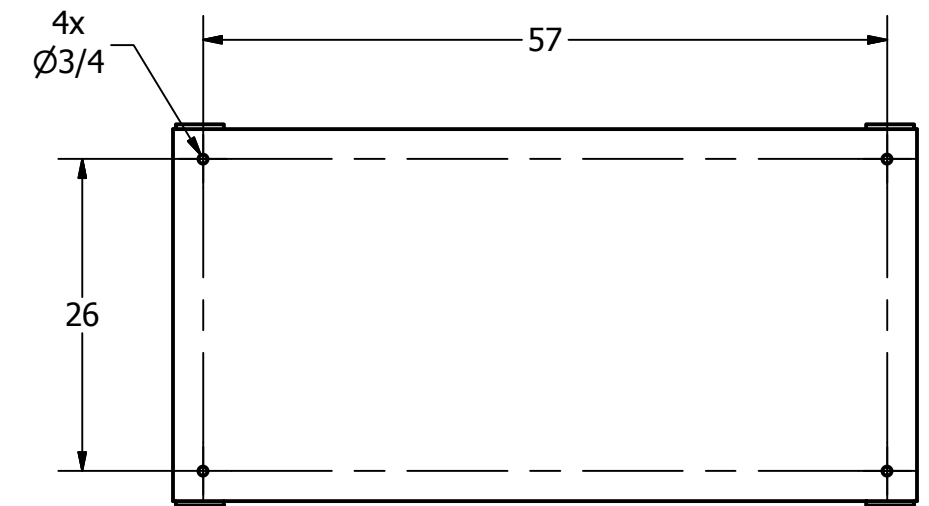
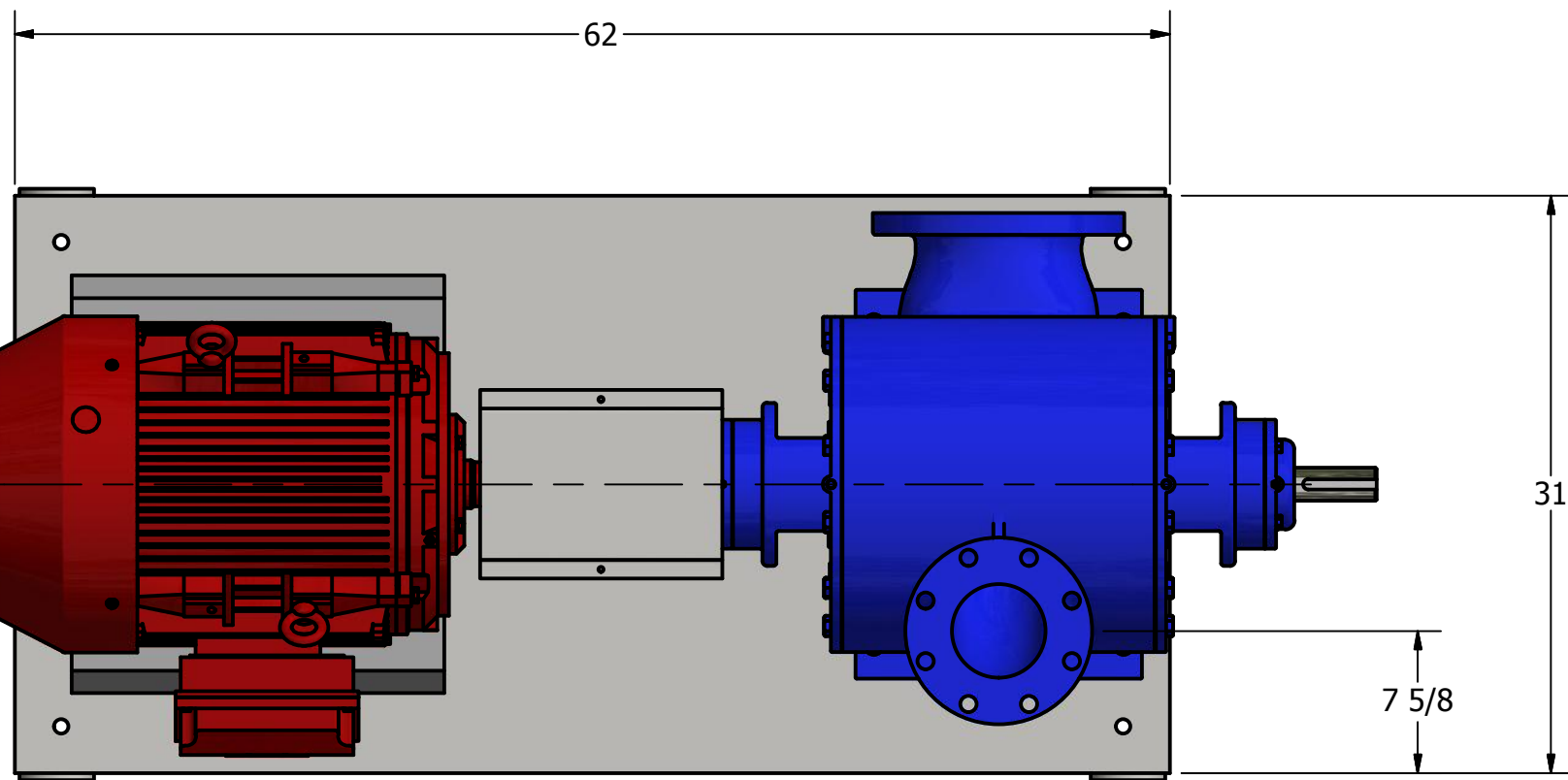
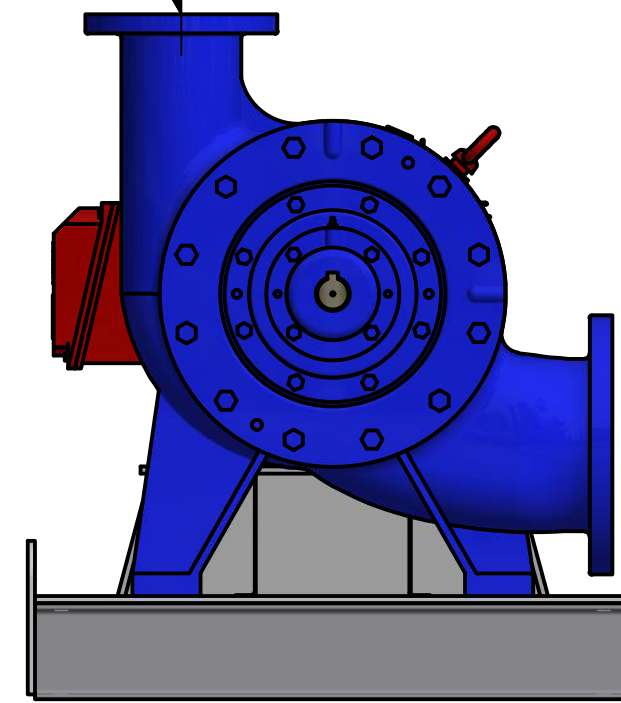
REVISION HISTORY		
REV	DESCRIPTION	DATE
1	PRELIMINARY DRAWINGS	06-APR-2016
2	REVERSE SUCTION-DISCHARGE	20-APR-2016

THIS DRAWING MUST BE SENT WITH PURCHASE ORDER


DESIGNER B.FEVEREIRO	DATE 04/06/2016	TITLE / TITRE 4800 L SHAPE PUMP ASSEMBLY
PROJECT / PROJET		
CUSTOMER / CLIENT		
QUOTE	TAG	
MONTREAL, (QC), CANADA TORONTO, (ON), CANADA LAKE WORTH, (FL), USA WWW.FLOFAB.COM		REV 2
SCALE / ECHELLE 0.13	JOB NO.	SHEET 1 OF 2



DISCHARGE Ø5"



ANCHOR BOLT PATTERN
SCALE 1/16

THIS DRAWING MUST BE SENT WITH PURCHASE ORDER			
DESIGNER B.FEVEREIRO	DATE 04/06/2016	TITLE / TITRE 4800 L SHAPE PUMP ASSEMBLY	
		PROJECT / PROJET	
		CUSTOMER / CLIENT	
MONTREAL, (QC), CANADA TORONTO, (ON), CANADA LAKE WORTH, (FL), USA WWW.FLOFAB.COM		QUOTE	TAG
SCALE / ECHELLE 1/10		DWG NO.	REV 2
JOB NO.		SHEET 2 OF 2	