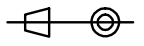
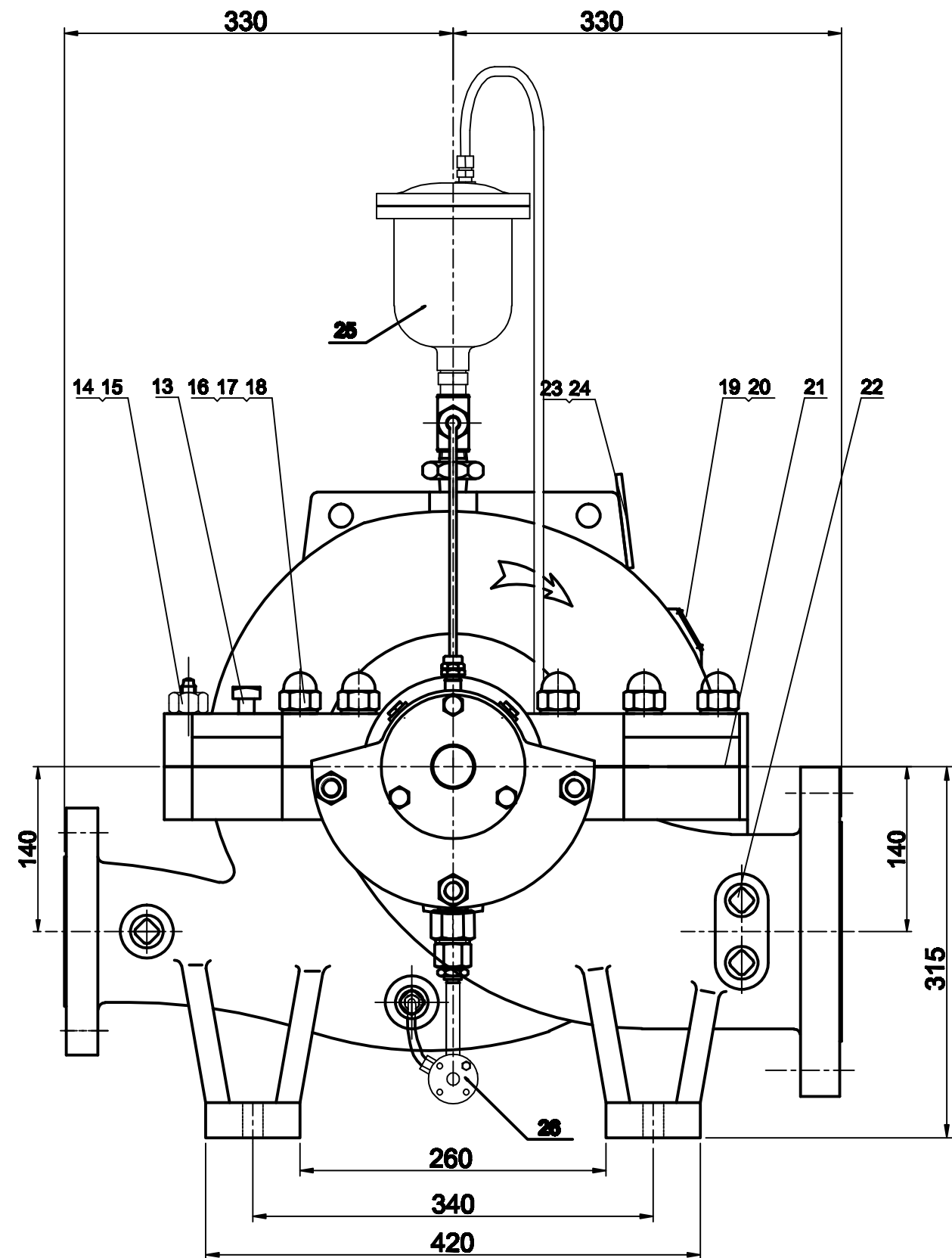
		FLO FAB - MANUFACTURER OF PUMPS, TANKS, HEAT EXCHANGERS & ACCESSORIES		REV A
				UNITS MM
DR BY:	DATE	NAME GENERAL ASSEMBLY DRAWING MODEL 4900-5-3-350	PROJECTION: 	
CK BY:	DATE		PART No	PROJECT
APPROVED:	DATE	MATERIAL:	SCALE 1:4	PAGE OF 1 2



26		Blow-off Pipe	1		NPT1/2
25		ARVX	1	CLNO25A (A48)	NPT1/2
24	GB/T13306	Nameplate	1	S S	80×100
23	GB/T70.3	Blot	2	S S	M6×10
22	GB/T3287	Plug	10	S S	NPT1/2
21		Casing gasket	1	Fish Paper	0.3mm
20		Logo	1	S S	
19	GB/T827	Rivet	4	1012	2.5×6
18	GB/T97.1	Flat Washer	20	S S	20
17	GB/T923	Cap nut	20	S S	M20
16	GB/T898	Stud	20	S S	AM20×65
15	GB/T881	Taper Pin	2	1045	12×100
14	GB/T6170	Nut	2	A570Gr.D	M12
13	DS-00	Top thread	4	1045	M12×80
12	GB/T93	Spring Washer	6	1066	16
11	GB/T5780	Bolt	6	A570Gr.D	M16×55
10	GB/T879.1	Spring Pin	8	1066	8×20
9	GB/T894.1	Shaft Circlip	1	1066	35
8	4900-5-3-350-007	Flushing Pipe	1		
7	4900-5-3-350-006B	Bearing Assembly(NDS)	1		
6	4900-5-3-350-006A	Bearing Assembly(DE)	1		
5	4900-5-3-350-005	Packing Seal Assembly	2		
4	4900-5-3-350-004	Casing Wear Ring	2	Bronze	150×165×24
3	4900-5-3-350-003	Rotor Assembly	1		
2	4900-5-3-350-002	Upper Casing	1	70-50-05	
1	4900-5-3-350-001	Lower Casing	1	70-50-05	
No.	Part No.	Part Name	Qty	Material(ASTM)	Remark



FLO FAB - MANUFACTURER OF PUMPS,
TANKS, HEAT EXCHANGERS & ACCESSORIES

REV
A
UNITS
MM

DR BY: LH
DATE: 07/05/2014

NAME
GENERAL ASSEMBLY DRAWING
MODEL 4900-5-3-350

PROJECTION:

CK BY: PM
DATE:

PART No

PROJECT

APPROVED: PM
DATE:

MATERIAL:

SCALE: 1:4.5
PAGE: 2
OF: 2