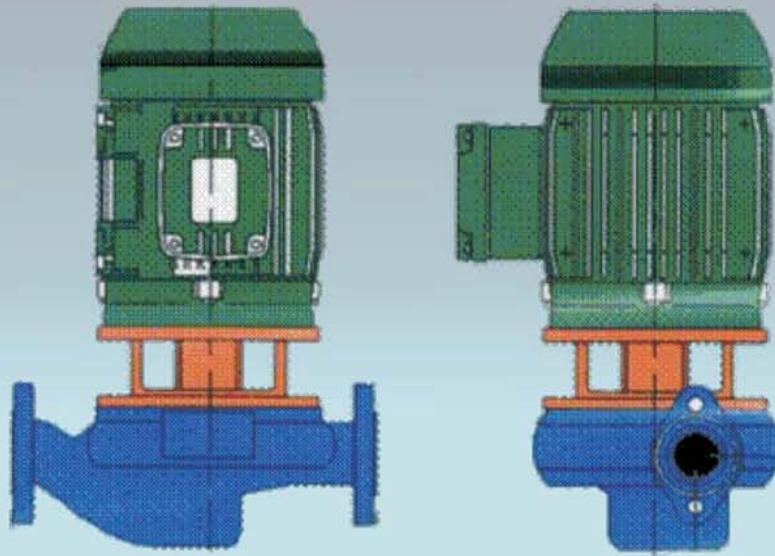


FLO FAB

FF

Go
with the
FLO



Vertical In-line Pump Series "600"

Manufacturer of Pumps, Tanks, Heat Exchangers & Accessories
for HVAC Market After-Sales Parts and Services

Vertical In-line Pump Series "600"

www.flofab.com

FLO FAB INC
LAKE WORTH,
FLORIDA, USA



Features Series 600

Casing: Closed grained cast iron, heavy section volute type, containing both suction and discharge connections. Casing is machined to register for a perfect alignment with the backplate

Mechanical Seal: John Crane suitable for particular service specified. Carbon rotating face and ceramic stationary seal are suitable for temperatures up to 250oF.

Flanges: FloFab standard 125 lbs flanges with pressure gauge tappings.

Shaft: Stainless steel standard with short lenght minimizing deflection under load conditions.

Impeller: One piece enclosed type, noryl, for high efficiency, precision balanced and accurately bored. The impeller is fastened to shaft by key, washer and stainless steel cap screw.

Quick disconnect: Easy and quick removal and service of impeller and seal.

Automatic Purge System: Liquid flows from the high pressure side of the impeller across the seal face to the low pressure eye of the impeller. Assures proper lubrication and venting.

Motor: Quiet NEMA TC Drip Proof or TEFC on most models. Can be rotated at 90o intervals for convenient junction box location.

Speed:1150, 1750 and 3450 RPM

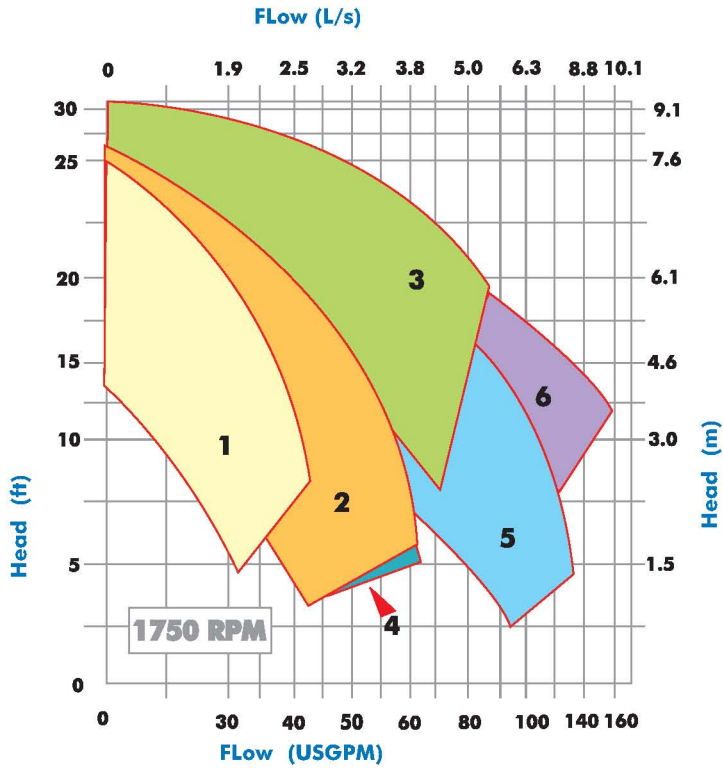
Motor Bracket: Closed grained cast iron with stainless steel backplate, heavy section, machined to register for perfect alignment.

*** Pumps are hydrostatically tested and data reports are recorded prior to shipping.***

Completely Assembled
Application: Heating, Air Conditioning
and other Industrial applications
Head: Up to 120 ft
Flow: Up to 270 USGPM
Max. Working Pressure: 150 PSI
Max. Working Temperature: 220°F



Performance Curves Series 600



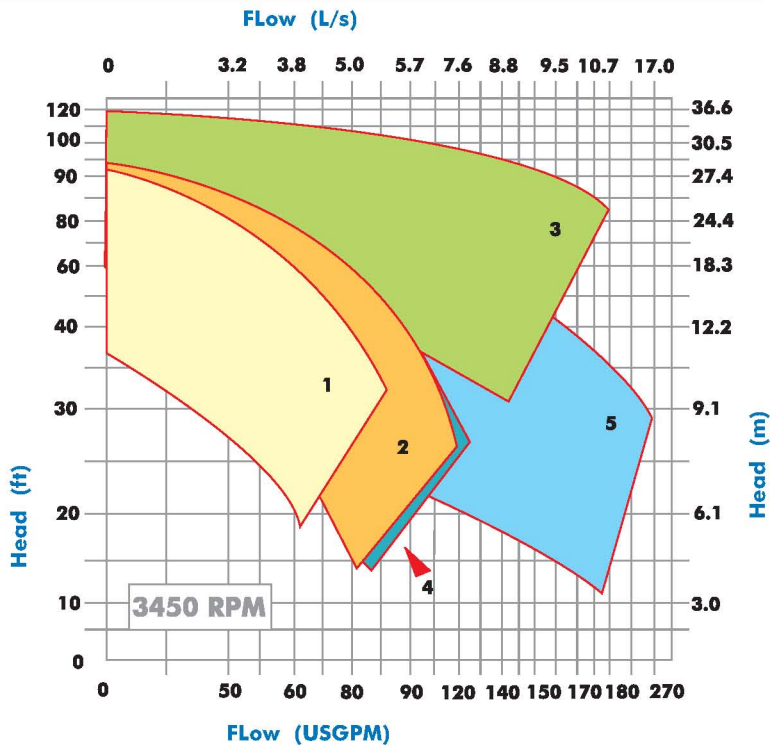
Series **600 - 1 x 1 x 3 - 2**

Suction Discharge Max. Impeller Dia. No. of Bolts

Pump Models and Sizes

- ① 1 x 1 x 5 - 2
- ② 1.25 x 1.25 x 5 - 2
- ③ 1.5 x 1.5 x 5 - 2
- ④ 1.5 x 1.5 x 5 - 3
- ⑤ 2 x 2 x 5 - 3
- ⑥ 3 x 3 x 5 - 4
- ⑦ 0.75 x 0.75 x 3 - 2
- ⑧ 1 x 1 x 3 - 2
- ⑨ 1.25 x 1.25 x 3 - 2
- ⑩ 1.5 x 1.5 x 3 - 2

■ = Curves coming soon



FF

FLO FAB



**Manufacturer of Pumps, Tanks, Heat Exchangers & Accessories
for HVAC Market After-Sales Parts and Services**

www.flofab.com

FLO-FAB INC
LAKE WORTH,
FLORIDA, USA

SEPTEMBER 2009