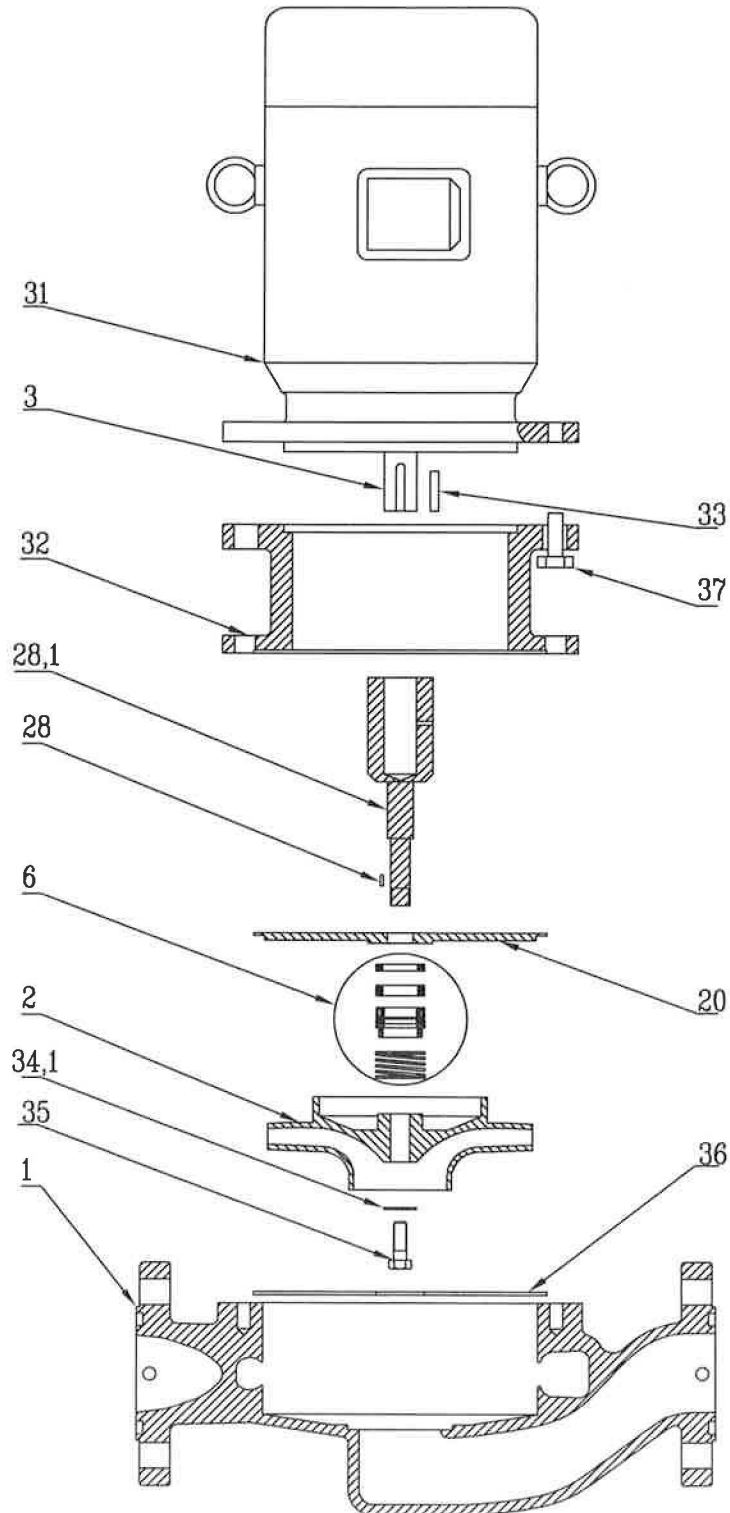



SERIES 600 PARTS LIST



SERIAL # :	TYPE :	ID. :	 FLO FAB 860, boul. Industriel, Bois-des-Filion, Qc J6Z 4V7 (450) 621-2995
SERIES : 600	MODEL :		

*	recommended spares				
Series	600 model 600-2				
NO	PART NAME	PART NUMBER	STANDARD MATERIAL	PART NUMBER	OPTIONAL MATERIAL
1	volute casing	600-2CI	cast iron ASTMA48CL 30	600-2B	bronze ASTMB584C87400
1.1	volute casing			600-2SS	stainless steel 304
1.2	volute casing			600-2DI	ductile iron 300 PSI GGG50
1.3	volute casing			600-2CS	cast steel ASTMA216WCB
1.4	companion flange (2)	810-1 3/4"	2B cast iron ASTMA48CL 30	811-1 3/4"	2B bronze ASTMB584C87400
1.5	companion flange (2)	810-2 1"	2B cast iron ASTMA48CL 30	811-2 1"	2B bronze ASTMB584C87400
1.6	companion flange (2)	810-3 1 1/4"	2B cast iron ASTMA48CL 30	811-3 1 1/4"	2B bronze ASTMB584C87400
1.7	companion flange (2)	810-4 1 1/2"	2B cast iron ASTMA48CL 30	811-4 1 1/2"	2B bronze ASTMB584C87400
1.8	companion flange (2)	810-4.1 2"	2B cast iron ASTMA48CL 30	811-4.1 2"	2B bronze ASTMB584C87400
*2.1	impeller	012-IS57-P	small vanne noryl 5.25 dia	012-IS57B	bronze ASTMB584C87400
*2.2	impeller	012-LIS57P	large vanne noryl 5.25 dia		
*2.3	impeller	LILE-2P	LOOK AT 82617		
3	motor shaft		carbon steel 4340 clear zinc plated		
*6.1	mechanical seal 56	011-S050-AR	ceramic vs carbon w/stainless steel spring		
*20	bracket faceplate	174003-071	stainless steel 304		
28	impeller key		carbon steel ASTMA108G10800		
*28.1	stub motor shaft	TCCC5-SS	stainless steel 304		
31	motor.				
32.1	bracket 56	60-LCC5	cast iron ASTMA48CL 30		bronze ASTMB584C87400
33	motor shaft key		carbon steel - 1045		stainless steel 18-8 open designation
34.1	impeller washer no 1	34	stainless steel 18-8 open designation		
35.1	impeller bolt no 1	35	stainless steel 18-8 open designation		
*36	casing gasket	G-5P	fiber gasket vellumoid		
37	motor bolts		carbon steel		

*	recommended spares				
Series	600 model 600-3				
NO	PART NAME	PART NUMBER	STANDARD MATERIAL	PART NUMBER	OPTIONAL MATERIAL
1	volute casing	600-3CI	cast iron ASTMA48CL 30	600-3B	bronze ASTMB584C87400
1.1	volute casing			600-3SS	stainless steel 304
1.2	volute casing			600-3DI	ductile iron 300 PSI GGG50
1.3	volute casing			600-3CS	cast steel ASTMA216WCB
1.4	companion flange (2)	810-5 1 1/2	3B cast iron ASTMA48CL 30	811-5 1 1/2	3B bronze ASTMB584C87400
1.5	companion flange (2)	810-6 2"	3B cast iron ASTMA48CL 30	811-6 2"	3B bronze ASTMB584C87400
1.6	companion flange (2)	810-7 2 1/2"	3B cast iron ASTMA48CL 30	811-7 2 1/2"	3B bronze ASTMB584C87400
*2.1	impeller	012-IS57-P	small vanne noryl 5.25 dia	012-IS57B	bronze ASTMB584C87400
*2.2	impeller	012-LIS57P	large vanne noryl 5.25 dia		
*2.3	impeller	LILE-2P	LOOK AT 82617		
3	motor shaft		carbon steel 4340 clear zinc plated		
*6.1	mechanical seal 56	011-S050-AR	ceramic vs carbon w/stainless steel spring		
*20	bracket faceplate	174003-071	stainless steel 304		
28	impeller key		carbon steel ASTMA108G10800		
*28.1	stub motor shaft	TCCC5-SS	stainless steel 304		
31	motor.				
32.1	bracket 56	60-LCC5	cast iron ASTMA48CL 30		bronze ASTMB584C87400
33	motor shaft key		carbon steel - 1045		stainless steel 18-8 open designation
34.1	impeller washer no 1	34	stainless steel 18-8 open designation		
35.1	impeller bolt no 1	35	stainless steel 18-8 open designation		
*36	casing gasket	G-5P	fiber gasket vellumoid		
37	motor bolts		carbon steel		

*	recommended spares				
Series	600 model 600-4				
NO	PART NAME	PART NUMBER	STANDARD MATERIAL	PART NUMBER	OPTIONAL MATERIAL
1	volute casing	600-4CI	cast iron ASTMA48CL 30	600-4B	bronze ASTMB584C87400
1.1	volute casing			600-4SS	stainless steel 304
1.2	volute casing			600-4DI	ductile iron 300 PSI GGG50
1.3	volute casing			600-4CS	cast steel ASTMA216WCB
*2.1	impeller	012-IS57-P	small vanne noryl 5.25 dia	012-IS57B	bronze ASTMB584C87400
*2.2	impeller	012-LIS57P	large vanne noryl 5.25 dia		
*2.3	impeller	LILE-2P	LOOK AT 82617		
3	motor shaft		carbon steel 4340 clear zinc plated		
*6.1	mechanical seal 56	011-S050-AR	ceramic vs carbon w/stainless steel spring		
*20	bracket faceplate	174003-071	stainless steel 304		
28	impeller key		carbon steel ASTMA108G10800		
*28.1	stub motor shaft	TCCC5-SS	stainless steel 304		
31	motor.				
32.1	bracket 56	60-LCC5	cast iron ASTMA48CL 30		bronze ASTMB584C87400
33	motor shaft key		carbon steel - 1045		stainless steel 18-8 open designation
34.1	impeller washer no 1	34	stainless steel 18-8 open designation		
35.1	impeller bolt no 1	35	stainless steel 18-8 open designation		
*36	casing gasket	G-5P	fiber gasket vellumoid		
37	motor bolts		carbon steel		