



Vertical In-line Pump

**Series 600
& PSM**



www.flofab.com

001-cat-2016-600p



TABLE OF CONTENTS

SERIES 600 - FEATURES.....	2
SERIES 600 - PERFORMANCE CURVES.....	3
SERIES PSM - PRODUCT RANGE.....	4
SERIES PSM - MATERIALS.....	5
SERIES PSM - SECTION DRAWING.....	6-7
SERIES PSM - COMPARISON CURVES.....	8
PSM04-04-1750 : CURVES/PERFORMANCE/SIZE/SKETCH.....	9-10
PSM08-04-1750 : CURVES/PERFORMANCE/SIZE/SKETCH.....	11-12
PSM16-03-1750 : CURVES/PERFORMANCE/SIZE/SKETCH.....	13-14
PSM20-02-1750 : CURVES/PERFORMANCE/SIZE/SKETCH.....	15-16
PSM20-03-1750 : CURVES/PERFORMANCE/SIZE/SKETCH.....	17-18
PSM32-30-2-1750 : CURVES/PERFORMANCE/SIZE/SKETCH.....	19-20
PSM42-20-2-1750 : CURVES/PERFORMANCE/SIZE/SKETCH.....	21-22
PSM65-20-2-1750 : CURVES/PERFORMANCE/SIZE/SKETCH.....	23-24
PSM85-10-1750 : CURVES/PERFORMANCE/SIZE/SKETCH.....	25-26

HISTORY

Flo Fab was established in 1981 by Denis Gauvreau who created and developed the products line and constantly being perfected by Marc Gauvreau, as well as by a team of professional engineers and designers. It's a combination of existing designs from several renowned products and the innovative ideas of a new generation professionals.

Through the years, Flo Fab has acquired several companies and service entities including : AQUA-PROFAB (ASME Tanks manufacturer), MÉNARD, LÉONARD ÉLECTRIQUE, PMA. , Furthermore Flo Fab purchased equipment, fabrication designs and patterns from IDEALCO, a manufacturer of shell and tube type heat exchangers.

The after sales services, sales, engineering, R&D, production, quality control, accounting and administration departments of all the above companies share the same location.

In December 2014, Marc Gauvreau, son of the founder, acquired all shares of The company. Flo Fab and is constantly investing in new state of the art innovations new product like the XRI series and Prefab Skid for Hydronic Heating & cooling system, pumping systems. This has allowed Flo Fab to retain competent and experienced staff of professionals with varied and specialized abilities that constantly work on improving our existing products and add new engineered solutions that exceeding customer's expectations .

Flo Fab has grown quite rapidly and now proudly offers of a wide range of products available directly from one manufacturer. This includes pumps & pump packages, tanks, heat exchangers & hydronic accessories. This allows each project stakeholders to enjoy economical savings, peace of mind, best value for their investment and optimized total cost of ownership.





SERIES 600 PUMPS

• Features 600

Casing: Closed grained cast iron, heavy section volute type, containing both suction and discharge connections. Casing is machined to register for a perfect alignment with the backplate.

Mechanical Seal: John Crane suitable for particular service specified. Carbon rotating face and ceramic stationary seal are suitable for temperatures up to 250°F.

Flanges: FloFab standard 125 lbs flanges with pressure gauge tappings.

Shaft: Stainless steel standard with short length minimizing deflection under load conditions.

Impeller: One piece enclosed type, noryl, for high efficiency, precision balanced and accurately bored. The impeller is fastened to shaft by key, washer and stainless steel cap screw.

Quick disconnect: Easy and quick removal and service of impeller and seal. Automatic Purge System: Liquid flows from the high pressure side of the impeller across the seal face to the low pressure eye of the impeller. Assures proper lubrication and venting.

Motor: Quiet NEMA TC Drip Proof or TEFC on most models. Can be rotated at 90° intervals for convenient junction box location.

Speed: 1150, 1750 and 3450 RPM

Motor Bracket: Closed grained cast iron with stainless steel backplate, heavy section, machined to register for perfect alignment.

Completely Assembled

Application: Heating, Air Conditioning
and other Industrial applications

Head: Up to 120 ft

Flow: Up to 270 USGPM

Max. Working Pressure: 150 PSI

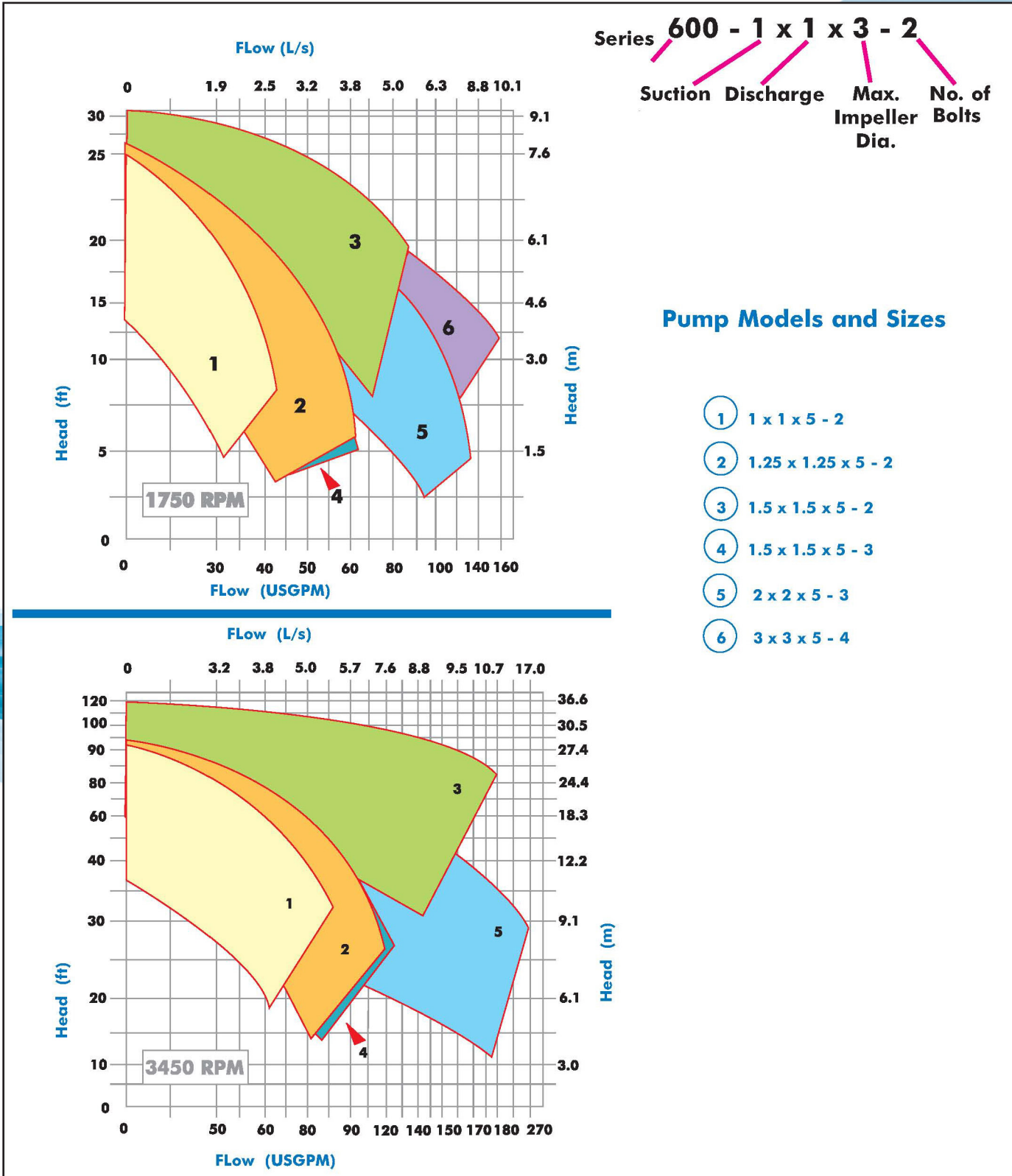
Max. Working Temperature: 220°F





SERIES 600 PUMPS

Performance Curves 600



3 Go to www.flofab.com in Our Products Section to see the Master Spec - <http://www.arcomnet.com/masterspec/>





SERIES PSM PUMPS

• Product Range PSM

Model	PSM01	PSM02	PSM03	PSM04	PSM08	PSM12	PSM16	PSM20	PSM32	PSM42	PSM65	PSM85	PSM120	PSM150
Rated Flow USGPM	4.4	8.8	13.2	17.6	35.2	52.8	70.4	88	140.8	184.8	286	374	52.8	660
Rated Flow (m3/h)	1	2	3	4	8	12	16	20	32	42	65	85	120	150
Rated Flow (l/s)	0.28	0.56	0.83	1.1	2.2	3.3	4.4	5.6	8.9	11.7	18	24	33	41.6
Max Pressure PSI	323.4	345.45	338.1	308.7	294	367.5	294	294	367.5	382.2	264.6	220.5	220.5	205.8
Max Pressure (bar)	22	23.5	23	21	20	25	20	20	25	26	18	15	15	14
Motor HP	0.5-5	0.75-5	0.5-5	1-7.5	1-15	1.5-20	3-25	3-25	5-40	7.5-60	10-60	15-60	25-100	20-100
Motor Power (kw)	0.37-3	0.55-4	0.37-4	0.75-5.5	0.75-11	1.1-15	2.2-18.5	2.2-18.5	3-30	5.5-45	7.5-45	11-45	18.5-75	15-75
Temperature °F	5 @ 248													
Temperature °C	-15 @ 120													
Max Efficiency (%)	44	46	54	59	64	63	66	69	76	78	80	81	74	73
Flange Connection ANSI	1	1	1	1 1/4	1 1/2	2	2	2	2 1/2	3	4	4	5	5
Flange Connection (DIN)	DN25	DN25	DN25	DN32	DN40	DN50	DN50	DN50	DN65	DN80	DN100	DN100	DN125	DN125
Flange Oval NPT	1	1	1	1 1/4	1 1/2									
Flange Oval (Pipe)	G1	G1	G1	G1 1/4	G 1 1/2									
Flange cutting ferrule joint	DN25	DN25	DN25	DN32	DN40	DN50	DN50	DN50						
Threaded	1	1	1	1 1/4	1 1/2									



Go to www.flofab.com in Our Products Section to see the Master Spec - <http://www.arcomnet.com/masterspec/>





SERIES PSM PUMPS

Materials PSM

● Pump

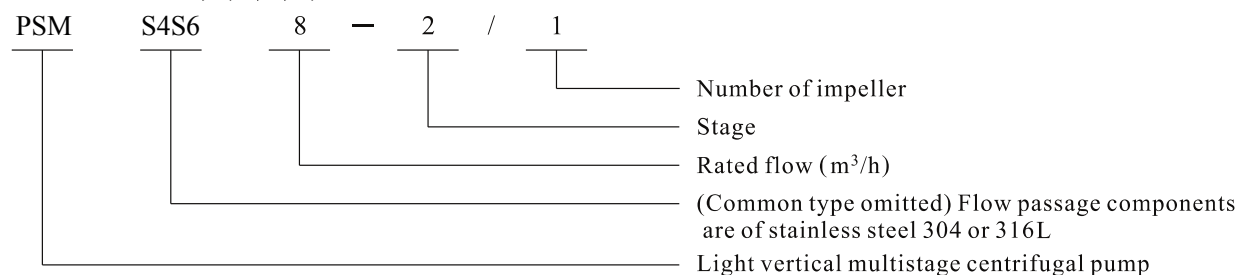
Flo Fab's PSM is a kind of vertical non-self priming multistage centrifugal pump, which is driven by a standard electric motor. The motor output shaft directly connects with the pump shaft through a coupling. The pressure-resistant cylinder and flow passage components are fixed between pump head and inlet & outlet section with tie-bar bolts. The inlet and outlet are located at the pump bottom at the same plane. This kind of pump can be equipped with an intelligent protector to effectively prevent it from dry-running, out-of-phase and overload.

● Operation conditions

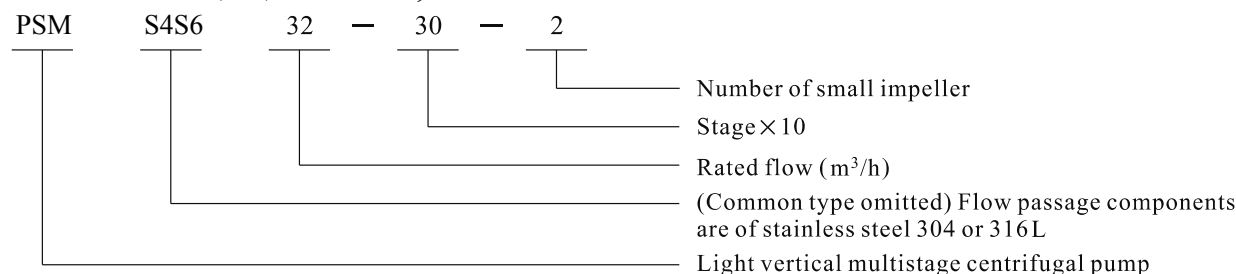
- Thin, clean, non-flammable and non-explosive liquid containing no solid granules and fibers.
- Liquid temperature:
Normal temperature type: $-15^{\circ}\text{C} \sim +70^{\circ}\text{C}$, $+5^{\circ}\text{F} \sim +158^{\circ}\text{F}$
Hot water type: $+70^{\circ}\text{C} \sim +120^{\circ}\text{C}$, $+158^{\circ}\text{F} \sim +248^{\circ}\text{F}$
- Ambient temperature: up to $+40^{\circ}\text{C}$, up to $+104^{\circ}\text{F}$
- Altitude: up to 1000m, 3280 ft.

● Definition of Model

PSM 1,2,3,4,8,16 and 20



PSM 32,42,65 and 85,120 and 150



● Application

Flo Fab's PSM is a kind of multifunctional products. It can be used to convey various medium from tap water to industrial liquid at different temperature and with different flow rate and pressure. PSM type is applicable to conveying non-corrosive liquid, while PSMCF is suitable for slightly corrosive liquid.

- Water supply: Water filter and transport in Waterworks, boosting of main pipeline, boosting in high-rise buildings.
- Industrial boosting: Process flow water system, cleaning system, high-pressure washing system, fire fighting system.
- Industrial liquid conveying: Cooling and air-conditioning system, boiler water supply and condensing system, machine-associated purpose, acids and alkali.
- Water treatment: Ultrafiltration system, reverse osmosis system, distillation system, separator, swimming pool.
- Irrigation: Farmland irrigation, spray irrigation, drip-irrigation.

● Motor

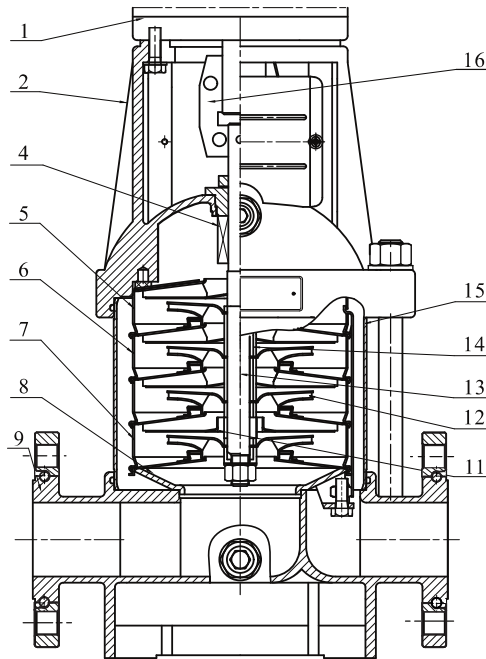
- Full-enclosed air-blast two-pole standard motor
- Protection class: IP55
- Insulation class: F
- Standard voltage: 60Hz



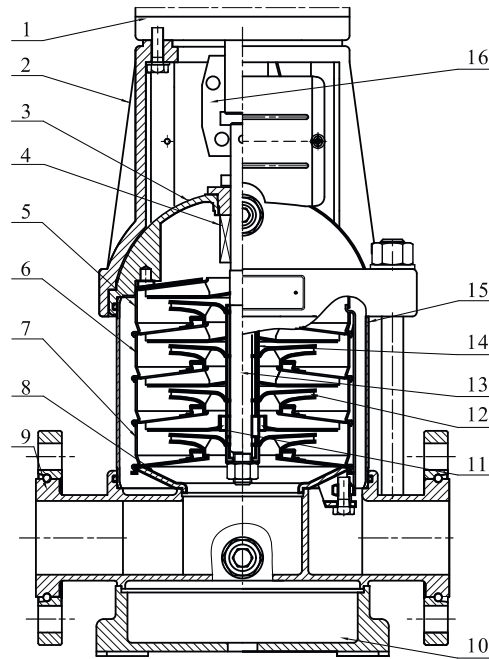


SERIES PSM PUMPS

Section Drawing PSM 08, 12, 16, 20



PSM



PSMCF

Material

NO.	Name	Material	AISI/ASTM
1	Motor		
2	Pump head	Cast iron	ASTM25B
4	Mechanical seal		
5	Top diffuser	Stainless steel	AISI304
6	Diffuser	Stainless steel	AISI304
7	Support diffuser	Stainless steel	AISI304
8	Inducer	Stainless steel	AISI304
11	Bearing	Tungsten carbide	
12	Impeller	Stainless steel	AISI304
13	Shaft	Stainless steel	AISI304 AISI316L

NO.	Name	Material	AISI/ASTM
14	Impeller sleeve	Stainless steel	AISI304
15	Cylinder	Stainless steel	AISI304
16	Coupling	Carbon steel	

PSMS4S6

3	Seal base	Stainless steel	AISI304
9	Inlet and outlet chamber	Stainless steel	AISI304
10	Base plate	Cast iron	ASTM25B

PSM

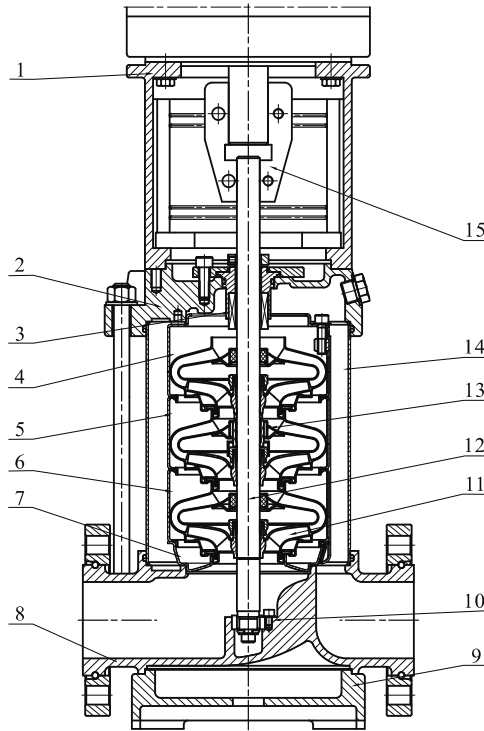
9	Inlet and outlet chamber	Cast iron	ASTM25B
---	--------------------------	-----------	---------





SERIES PSM PUMPS

Section Drawing PSM 32, 42, 65, 85



Material

NO.	Name	Material	AISI/ASTM
1	Bracket	Cast iron	ASTM25B
3	Mechanical seal		
4	Top diffuser	Stainless steel	AISI304
5	Support diffuser	Stainless steel	AISI304
6	Diffuser	Stainless steel	AISI304
7	Inducer	Stainless steel	AISI304
9	Base plate	Cast iron	ASTM25B
10	Bottom bearing	Tungsten carbide	
11	Impeller	Stainless steel	AISI304

NO.	Name	Material	AISI/ASTM
12	Shaft	Stainless steel	AISI316L AISI304 AISI431
13	Intermediate bearing	Tungsten carbide	
14	Cylinder	Stainless steel	AISI304
15	Coupling	Carbon steel	
	Rubber parts	NBR	

PSM

2	Pump head	Cast iron	ASTM25B
8	Inlet and outlet chamber	Cast iron	ASTM25B

PSMS4S6

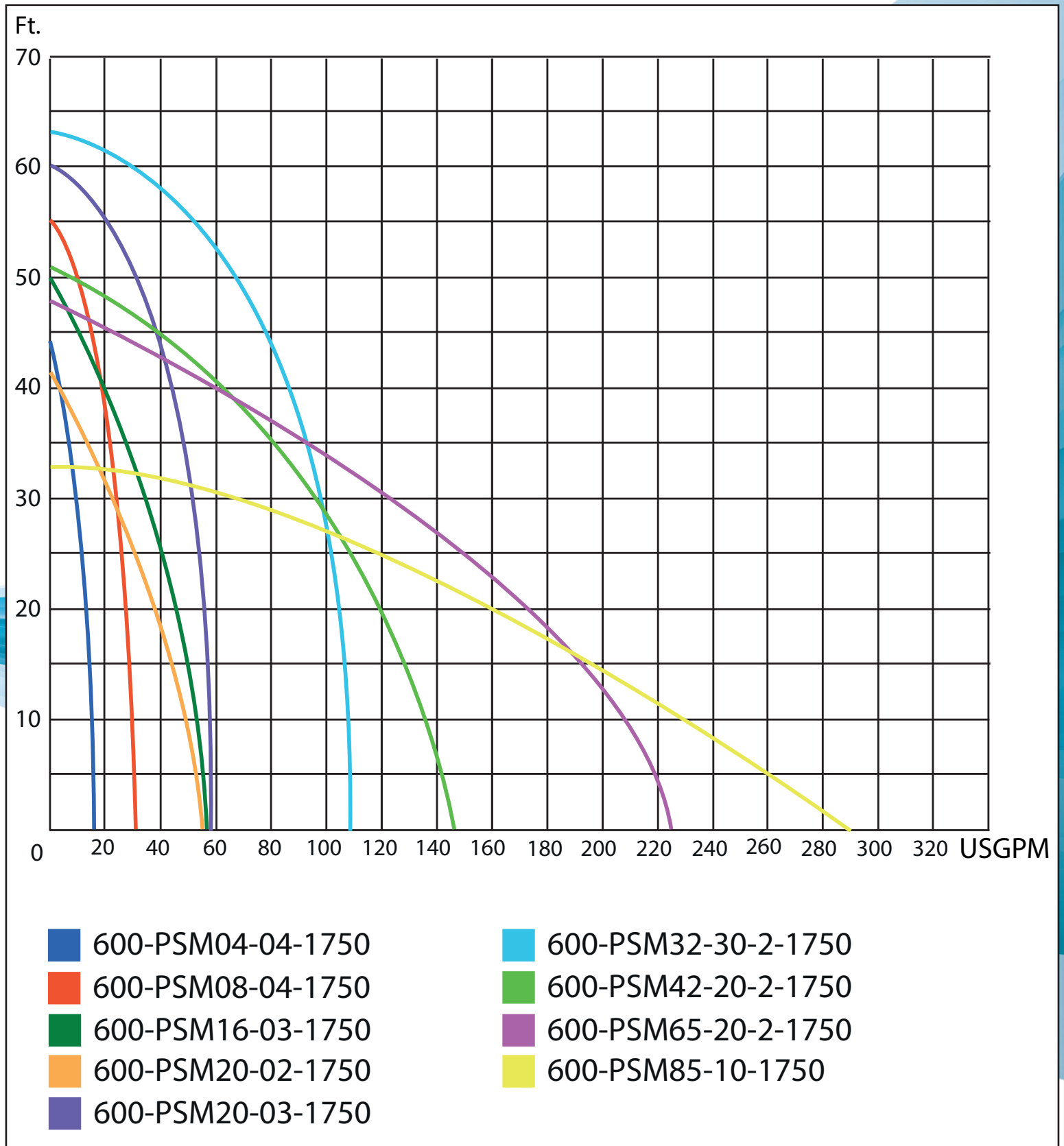
2	Pump head	Stainless steel	AISI304
8	Inlet and outlet chamber	Stainless steel	AISI304





SERIES PSM PUMPS

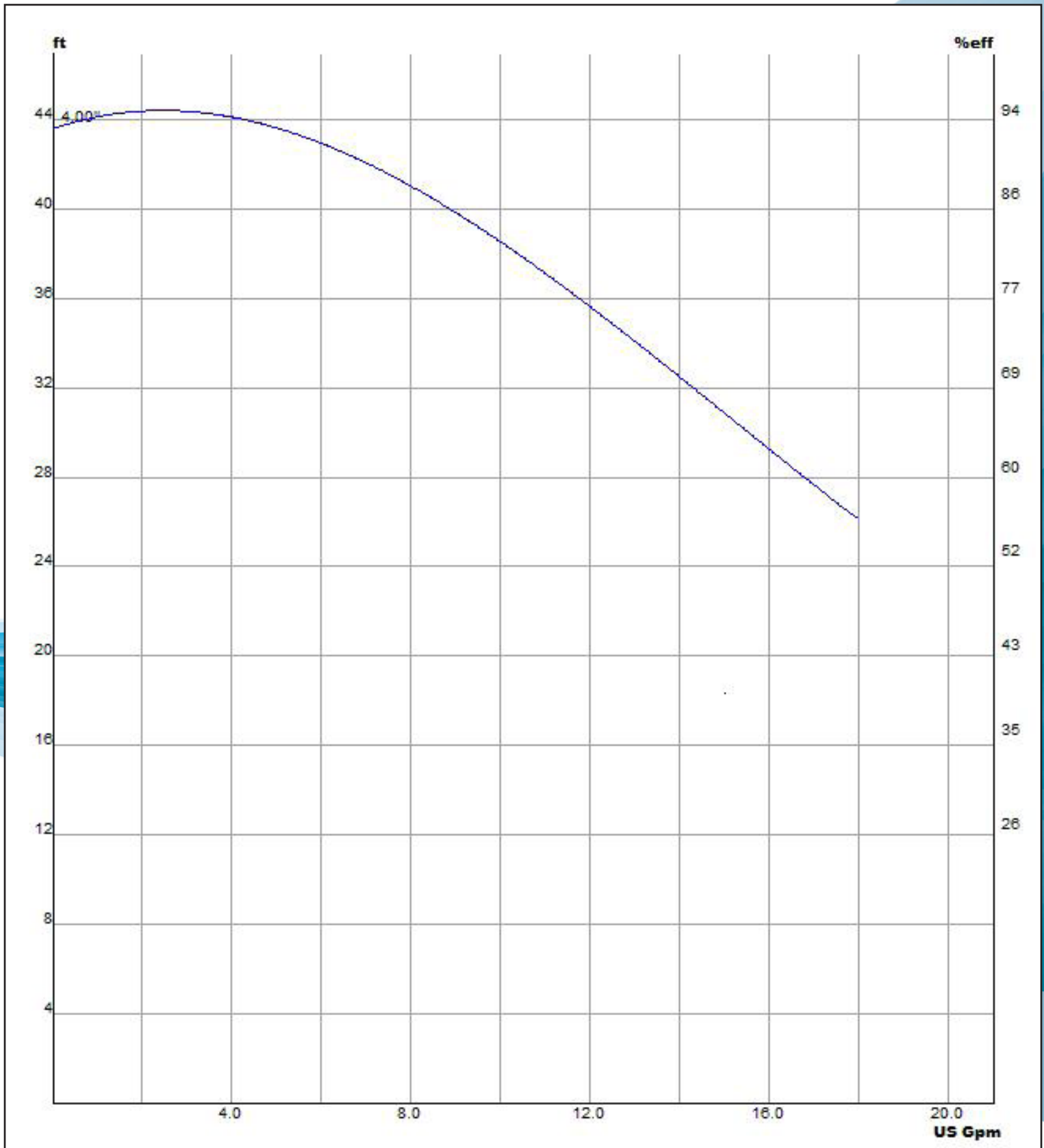
Comparison Curves





SERIES PSM PUMPS

● 600-PSM04-04



9 Go to www.flofab.com in Our Products Section to see the Master Spec - <http://www.arcomnet.com/masterspec/>

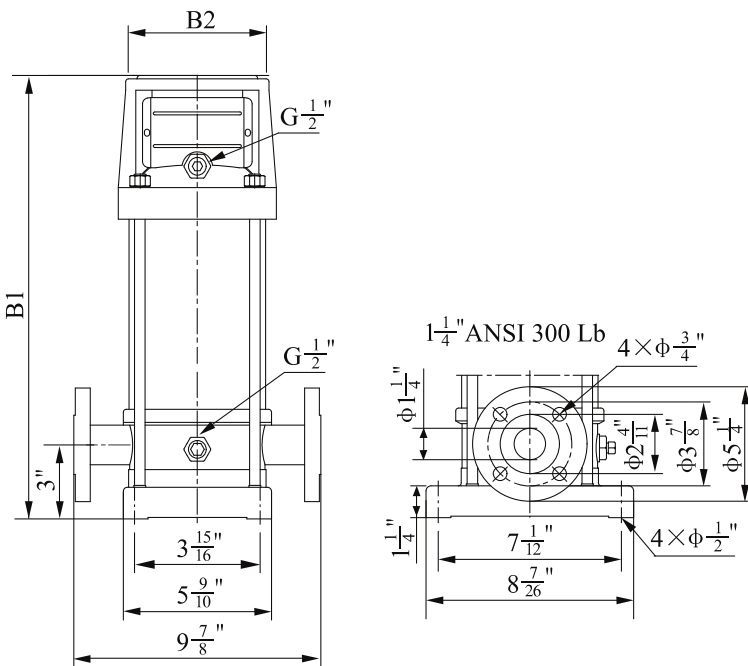


PSM 4

Performance table

Model	Driving motor		Frame	Q (m ³ /h)	2.5	3	4	5	6	7	8
	(kW)	(hp)									
<input type="checkbox"/> PSM 4-2	0.75	1	56C	H (m)	26	25	23	21	19	16	14
<input type="checkbox"/> PSM 4-3	1.1	1.5	56C		39	38	36	32	28	24	21
<input type="checkbox"/> PSM 4-4	1.5	2	56C		52	50	48	44	38	35	31
<input type="checkbox"/> PSM 4-5	2.2	3	182TC		65	62	60	55	49	44	39
<input type="checkbox"/> PSM 4-6	2.2	3	182TC		78	75	72	67	59	54	47
<input type="checkbox"/> PSM 4-7	3.7	5	184TC		92	88	84	78	69	62	55
<input type="checkbox"/> PSM 4-8	3.7	5	184TC		104	100	95	90	79	72	63
<input type="checkbox"/> PSM 4-10	3.7	5	184TC		130	125	120	113	102	90	80
<input type="checkbox"/> PSM 4-12	5.5	7.5	213TC		156	150	145	136	122	109	96
<input type="checkbox"/> PSM 4-14	5.5	7.5	213TC		182	176	170	159	145	129	112
<input type="checkbox"/> PSM 4-16	5.5	7.5	213TC		207	201	196	183	165	146	128

Installation sketch



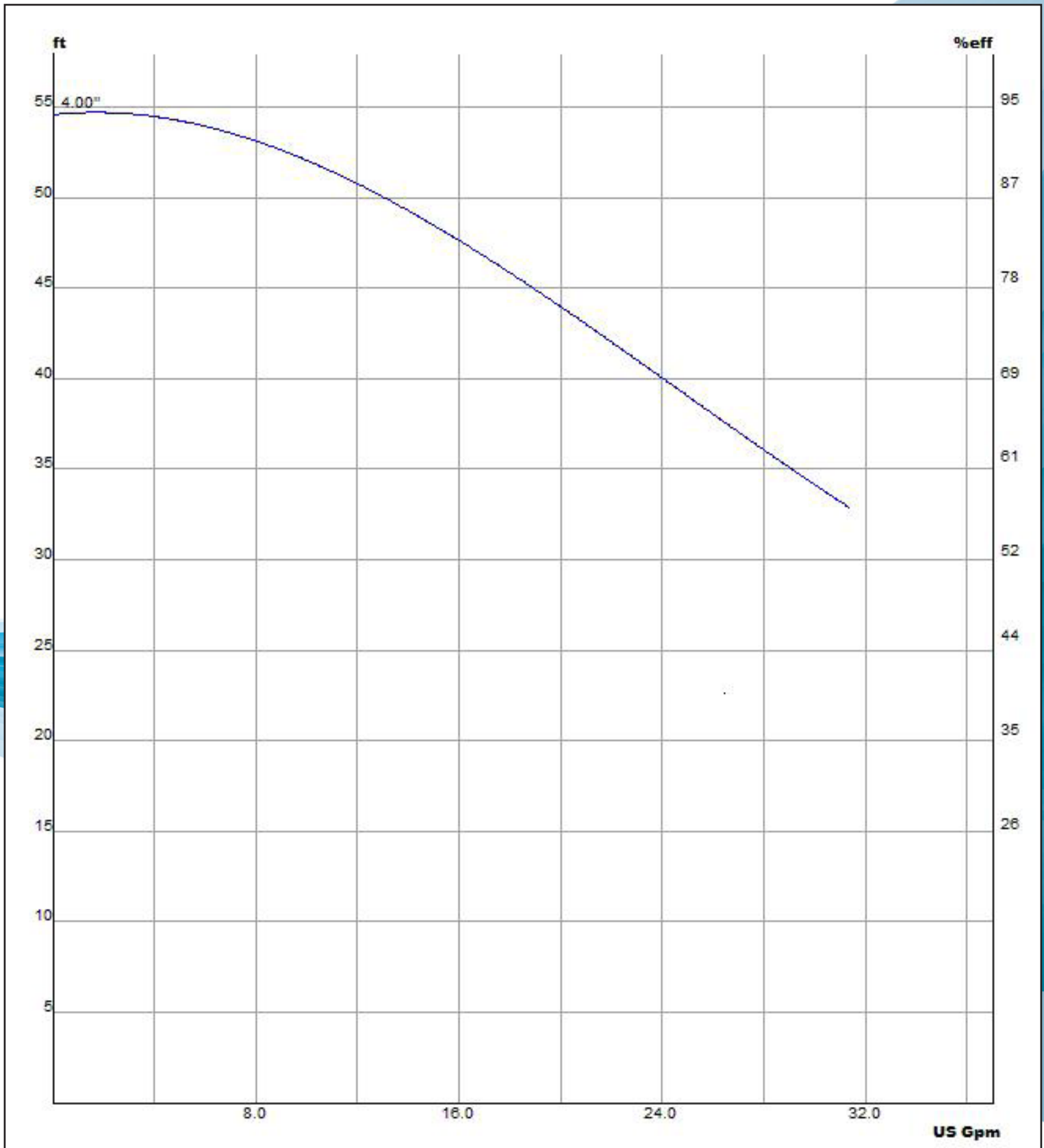
Size and weight

Model	Size (in)		Weight (lbs)
	B1	B2	
PSM 4-2	12	6 1/2	37
PSM 4-3	13 1/16	6 1/2	39
PSM 4-4	14 1/8	6 1/2	40
PSM 4-5	15 7/16	8 7/8	46
PSM 4-6	16 9/16	8 7/8	47
PSM 4-7	17 5/8	8 7/8	49
PSM 4-8	18 11/16	8 7/8	50
PSM 4-10	20 13/16	8 7/8	51
PSM 4-12	23 7/16	8 7/8	55
PSM 4-14	25 9/16	8 7/8	57
PSM 4-16	27 11/16	8 7/8	60



SERIES PSM PUMPS

● 600-PSM08-04



11 Go to www.flofab.com in Our Products Section to see the Master Spec - <http://www.arcomnet.com/masterspec/>

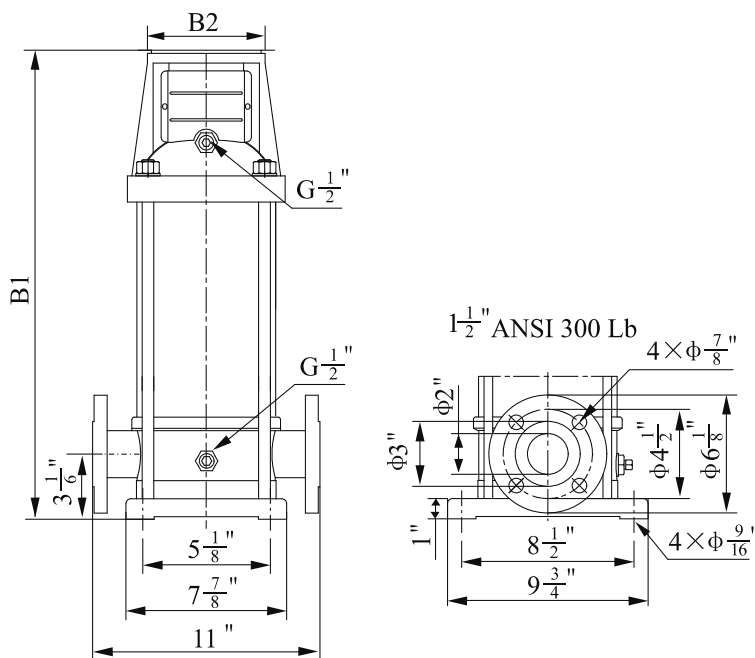


PSM 8

Performance table

Model	Driving motor		Frame	Q (m ³ /h)	7	8	9	10	11	12	13	14
	(kW)	(hp)										
PSM 8-2/1	0.75	1	56C	H (m)	13	12	11.5	11	10.5	10	9.5	9
PSM 8-2	1.5	2	56C		27	26	25	24	23	22	20	18
PSM 8-3	2.2	3	182TC		41	40	38	37	35	33	30	28
PSM 8-4	3.7	5	184TC		55	54	52	50	47	45	41	38
PSM 8-5	3.7	5	184TC		70	68	65	63	59	56	52	47
PSM 8-6	3.7	5	184TC		85	82	78	76	72	68	62	57
PSM 8-8	5.5	7.5	213TC		115	110	105	101	97	91	84	75
PSM 8-10	7.5	10	215TC		145	140	132	126	122	115	105	95
PSM 8-12	7.5	10	215TC		173	167	160	152	147	132	125	115
PSM 8-14	11	15	254TC		202	195	188	179	174	163	147	135

Installation sketch



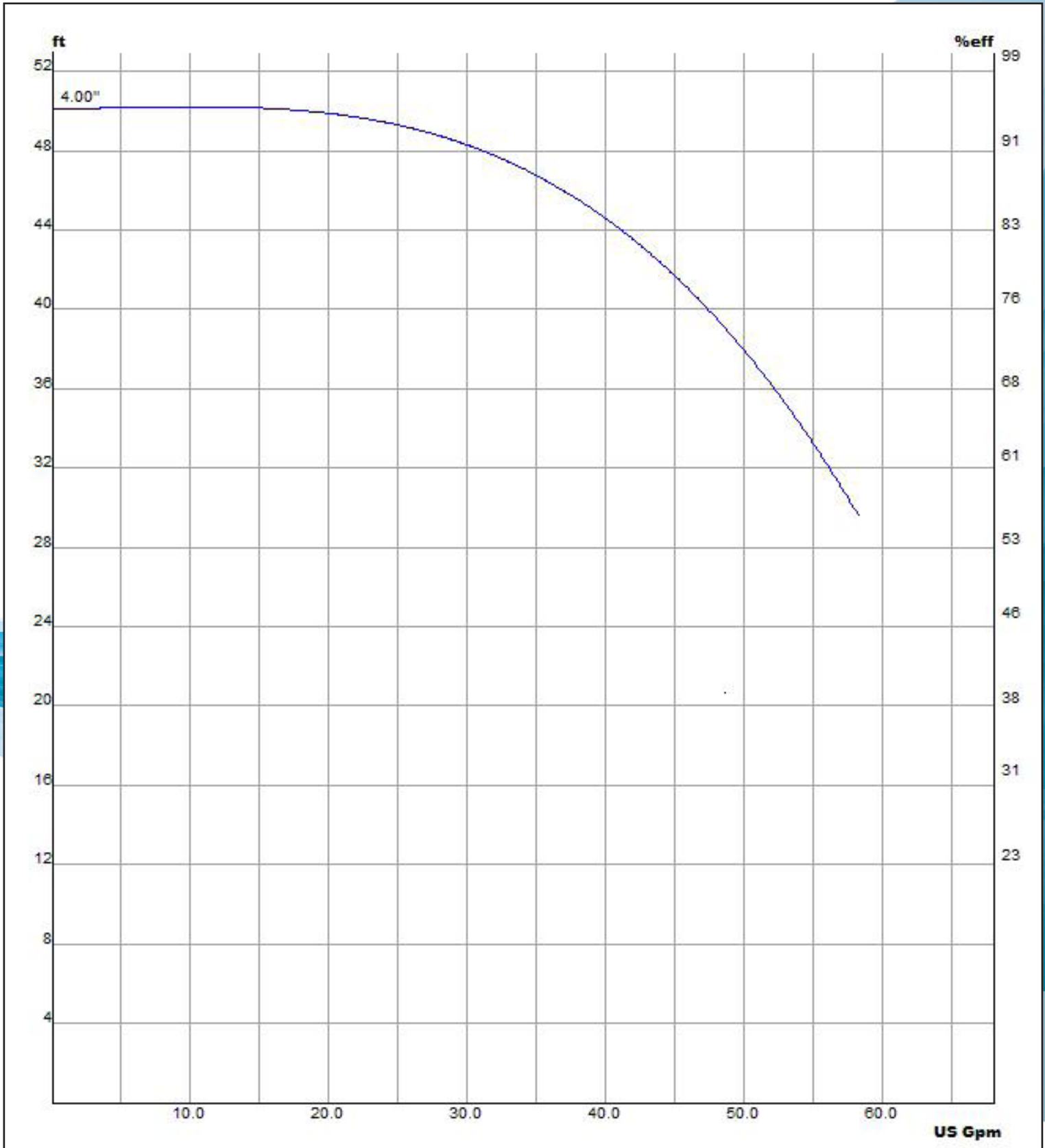
Size and weight

Model	Size (in)		Weight (lbs)
	B1	B2	
PSM 8-2/1	14 ⁴ / ₉	6 ¹ / ₂	57
PSM 8-2	14 ⁴ / ₉	6 ¹ / ₂	57
PSM 8-3	16 ¹ / ₁₆	8 ⁷ / ₈	65
PSM 8-4	17 ¹ / ₄	8 ⁷ / ₈	66
PSM 8-5	18 ³ / ₇	8 ⁷ / ₈	67
PSM 8-6	19 ³ / ₅	8 ⁷ / ₈	68
PSM 8-8	22 ¹¹ / ₂₅	8 ⁷ / ₈	82
PSM 8-10	24 ⁴ / ₅	8 ⁷ / ₈	84
PSM 8-12	27 ¹ / ₆	8 ⁷ / ₈	86
PSM 8-14	32 ¹³ / ₂₅	8 ⁷ / ₈	95



SERIES PSM PUMPS

● 600-PSM16-03

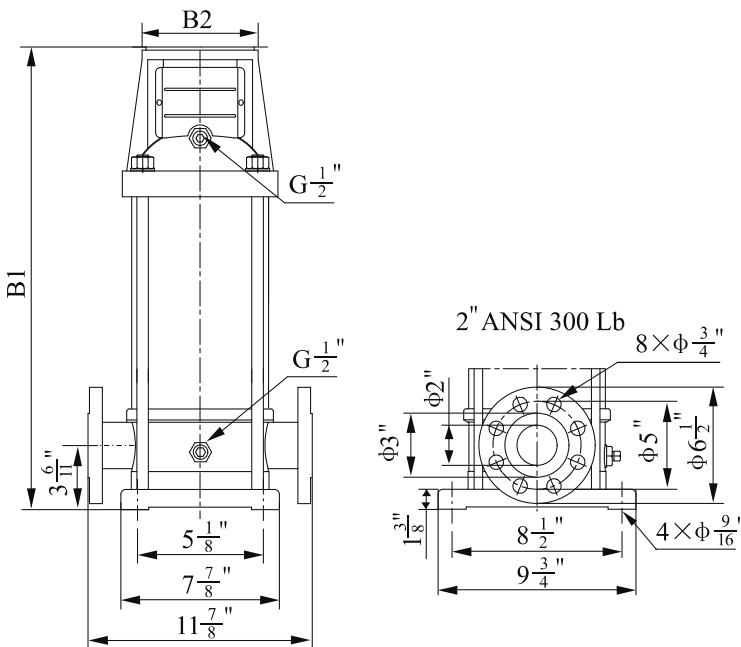


PSM 16

Performance table

Model	Driving motor		Frame	Q (m ³ /h)	10	12	14	16	18	20	22	24	26
	(kW)	(hp)											
<input type="checkbox"/> PSM 16-2/1	2.2	3	182TC	H (m)	19	18.5	18	17	16	15	14	13	11
<input type="checkbox"/> PSM 16-2	3.7	5	184TC		38	37	36	35	34	32	30	27	24
<input type="checkbox"/> PSM 16-3	5.5	7.5	213TC		57	56	55	54	51	48	45	40	36
<input type="checkbox"/> PSM 16-4	7.5	10	215TC		76	75	73	72	68	64	60	54	49
<input type="checkbox"/> PSM 16-5	11	15	254TC		96	94	92	90	85	80	75	68	62
<input type="checkbox"/> PSM 16-6	11	15	254TC		115	113	111	108	102	96	91	82	75
<input type="checkbox"/> PSM 16-7	15	20	256TC		135	132	129	126	119	113	106	96	88
<input type="checkbox"/> PSM 16-8	15	20	256TC		155	152	148	144	137	130	122	111	101
<input type="checkbox"/> PSM 16-10	18.5	25	284TSC		197	192	187	181	174	165	153	139	127

Installation sketch



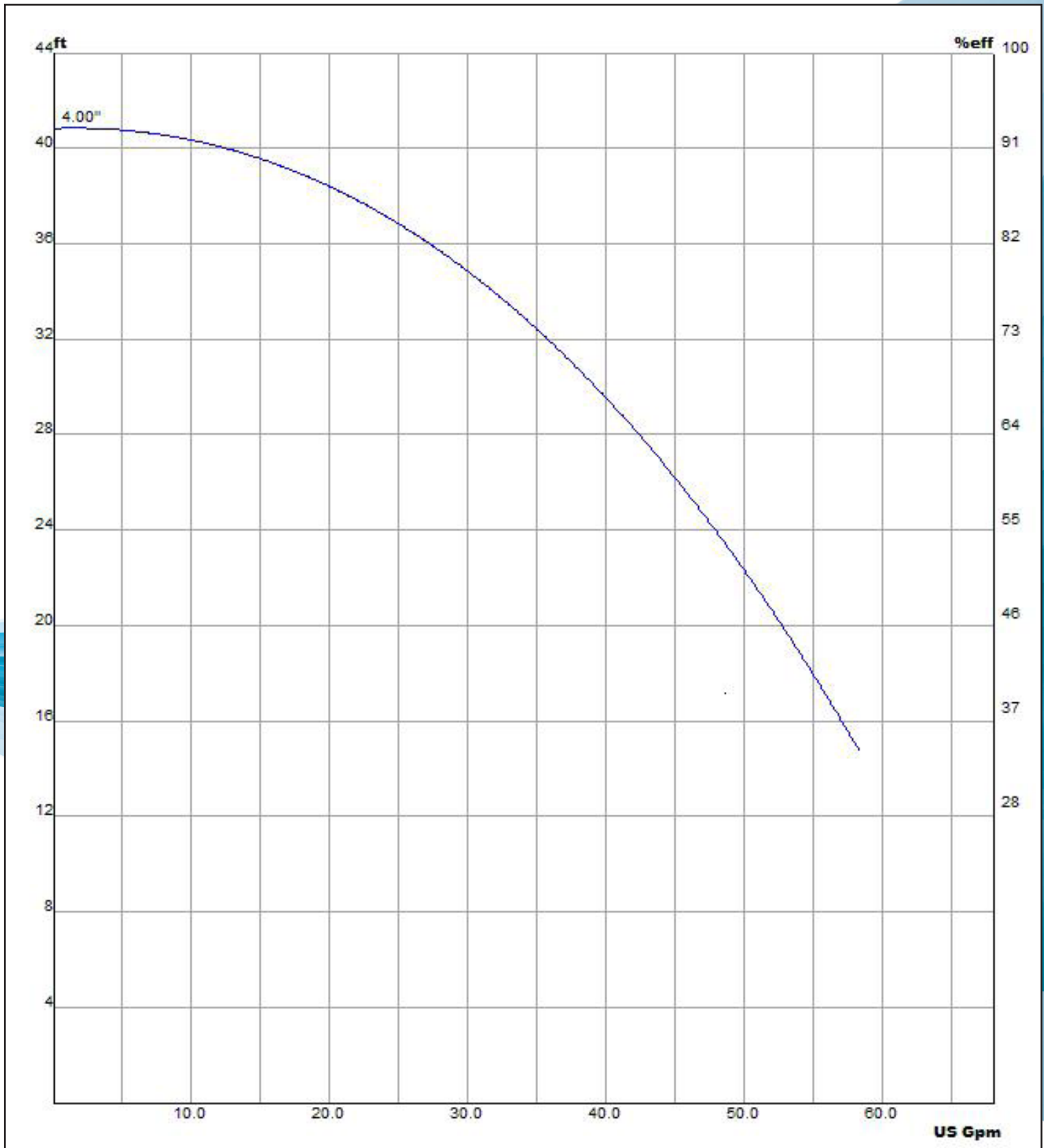
Size and weight

Model	Size (in)		Weight (lbs)
	B1	B2	
PSM 16-2/1	16 ¹¹ / ₂₄	8 ⁷ / ₈	71
PSM 16-2	16 ¹¹ / ₂₄	8 ⁷ / ₈	71
PSM 16-3	18 ⁷ / ₁₀	8 ⁷ / ₈	73
PSM 16-4	20 ⁸ / ₁₇	8 ⁷ / ₈	75
PSM 16-5	25 ⁴ / ₁₇	8 ⁷ / ₈	84
PSM 16-6	27	8 ⁷ / ₈	86
PSM 16-7	28 ¹⁵ / ₁₉	8 ⁷ / ₈	88
PSM 16-8	30 ⁵ / ₉	8 ⁷ / ₈	93
PSM 16-10	33 ⁹ / ₂₆	11 ¹ / ₃₂	101



SERIES PSM PUMPS

● 600-PSM20-03



15 Go to www.flofab.com in Our Products Section to see the Master Spec - <http://www.arcomnet.com/masterspec/>

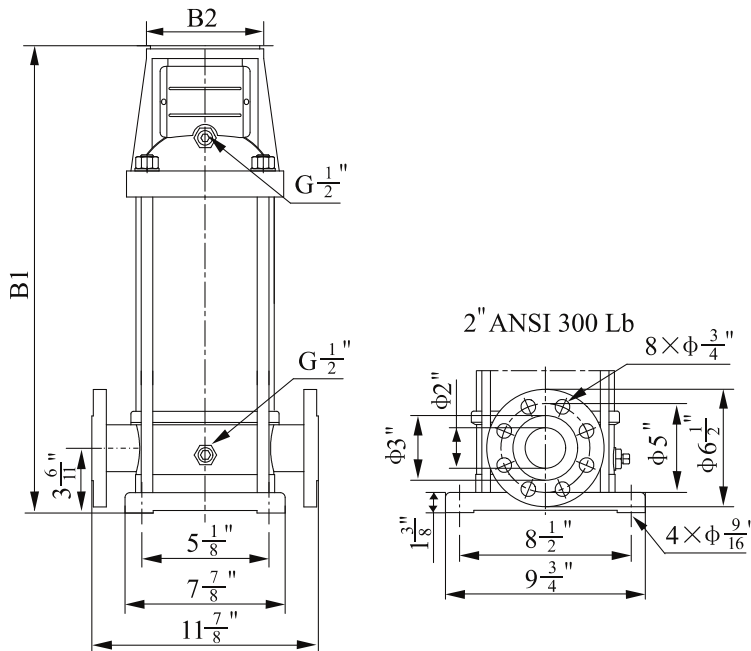


PSM 20

Performance table

Model	Driving motor		Frame	Q (m ³ /h)	12	16	20	24	28	32	34
	(kW)	(hp)									
<input type="checkbox"/> PSM 20-1	2.2	3	182TC	H (m)	19	18	17	15	13	10	8.5
<input type="checkbox"/> PSM 20-2	3.7	5	184TC		38	37	35	32	29	24	21
<input type="checkbox"/> PSM 20-3	5.5	7.5	213TC		58	56	53	50	45	38	33
<input type="checkbox"/> PSM 20-4	7.5	10	215TC		78	75	72	67	60	51	45
<input type="checkbox"/> PSM 20-5	11	15	254TC		98	94	90	85	75	64	57
<input type="checkbox"/> PSM 20-6	11	15	254TC		118	113	108	102	91	77	70
<input type="checkbox"/> PSM 20-7	15	20	256TC		138	133	127	119	107	91	83
<input type="checkbox"/> PSM 20-8	15	20	256TC		158	153	146	137	123	105	96
<input type="checkbox"/> PSM 20-10	18.5	25	284TSC		198	193	185	172	155	133	122

Installation sketch



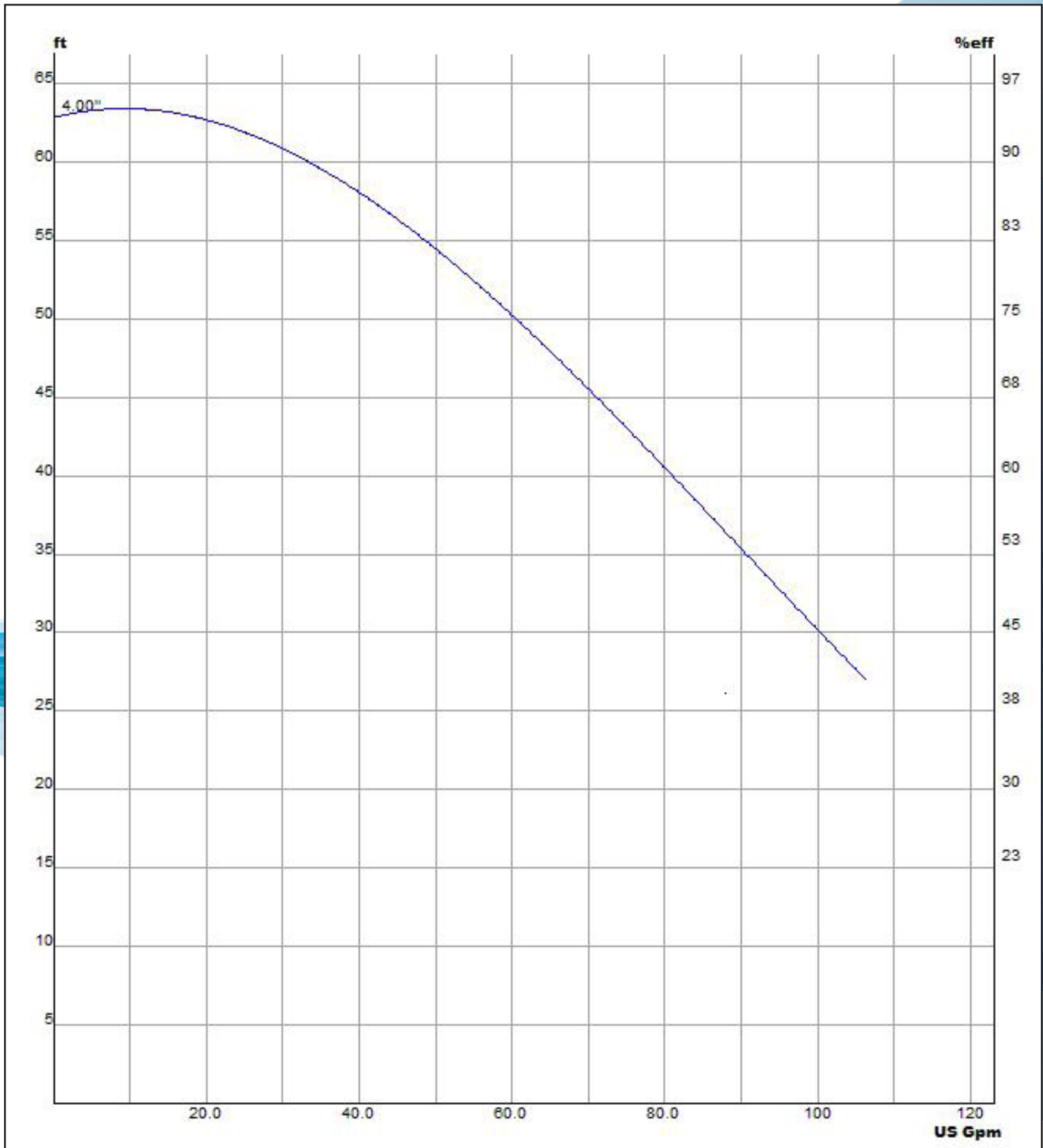
Size and weight

Model	Size (in)		Weight (lbs)
	B1	B2	
PSM 20-1	16 ¹¹ / ₂₄	8 ⁷ / ₈	73
PSM 20-2	16 ¹¹ / ₂₄	8 ⁷ / ₈	73
PSM 20-3	18 ⁷ / ₁₀	8 ⁷ / ₈	75
PSM 20-4	20 ⁴ / ₉	8 ⁷ / ₈	77
PSM 20-5	25 ⁴ / ₁₇	8 ⁷ / ₈	86
PSM 20-6	27	8 ⁷ / ₈	88
PSM 20-7	28 ¹⁵ / ₁₉	8 ⁷ / ₈	90
PSM 20-8	30 ⁵ / ₉	8 ⁷ / ₈	95
PSM 20-10	33 ⁹ / ₂₆	11 ¹ / ₃₂	104



SERIES PSM PUMPS

● 600-PSM32-30-2



17 Go to www.flofab.com in Our Products Section to see the Master Spec - <http://www.arcomnet.com/masterspec/>

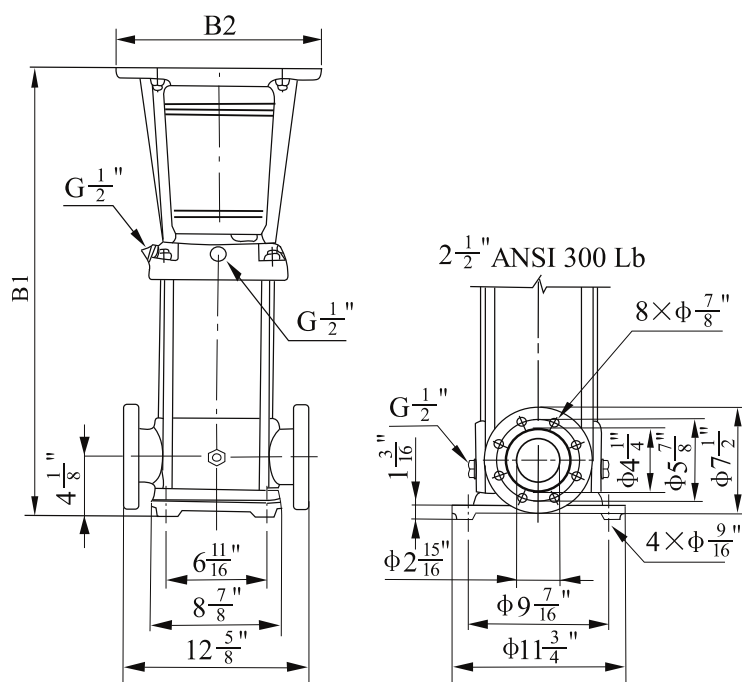


PSM 32

Performance table

Model	Driving motor		Frame	Q (m ³ /h)	20	24	28	32	36	40	44	48
	(kW)	(hp)										
PSM32-10-1	2.2	3	182TC	H (m)	20	19	18	17	15	13	10	7
PSM32-10	3.7	5	184TC		26	25	24	23	21	19	17	14
PSM32-20-2	5.5	7.5	213TC		41	40	38	35	31	27	22	17
PSM32-20	7.5	10	215TC		52	50	48	45	41	37	33	27
PSM32-30-2	7.5	10	215TC		67	64	61	57	52	46	39	31
PSM32-30	11	15	254TC		78	75	71	67	62	56	50	40
PSM32-40-2	11	15	254TC		94	91	87	81	73	65	56	45
PSM32-40	15	20	256TC		104	101	96	91	83	75	66	55
PSM32-50-2	15	20	256TC		119	115	109	102	94	84	73	59
PSM32-50	15	20	256TC		130	125	119	112	104	94	83	69
PSM32-60-2	18.5	25	284TC		145	140	134	126	116	104	90	74
PSM32-60	18.5	25	284TC		155	150	144	136	126	114	100	81
PSM32-70-2	22	30	286TC		172	166	158	149	137	123	106	86
PSM32-70	22	30	286TC		182	176	168	159	148	133	118	97
PSM32-80-2	22	30	286TC		196	190	182	172	159	143	124	102
PSM32-80	30	40	324TC		208	201	192	181	167	152	132	111
PSM32-90-2	30	40	324TC		223	216	206	194	179	162	142	117
PSM32-90	30	40	324TC		234	226	216	204	189	172	152	127
PSM32-100-2	30	40	324TC		248	241	231	217	201	181	159	133

Installation sketch



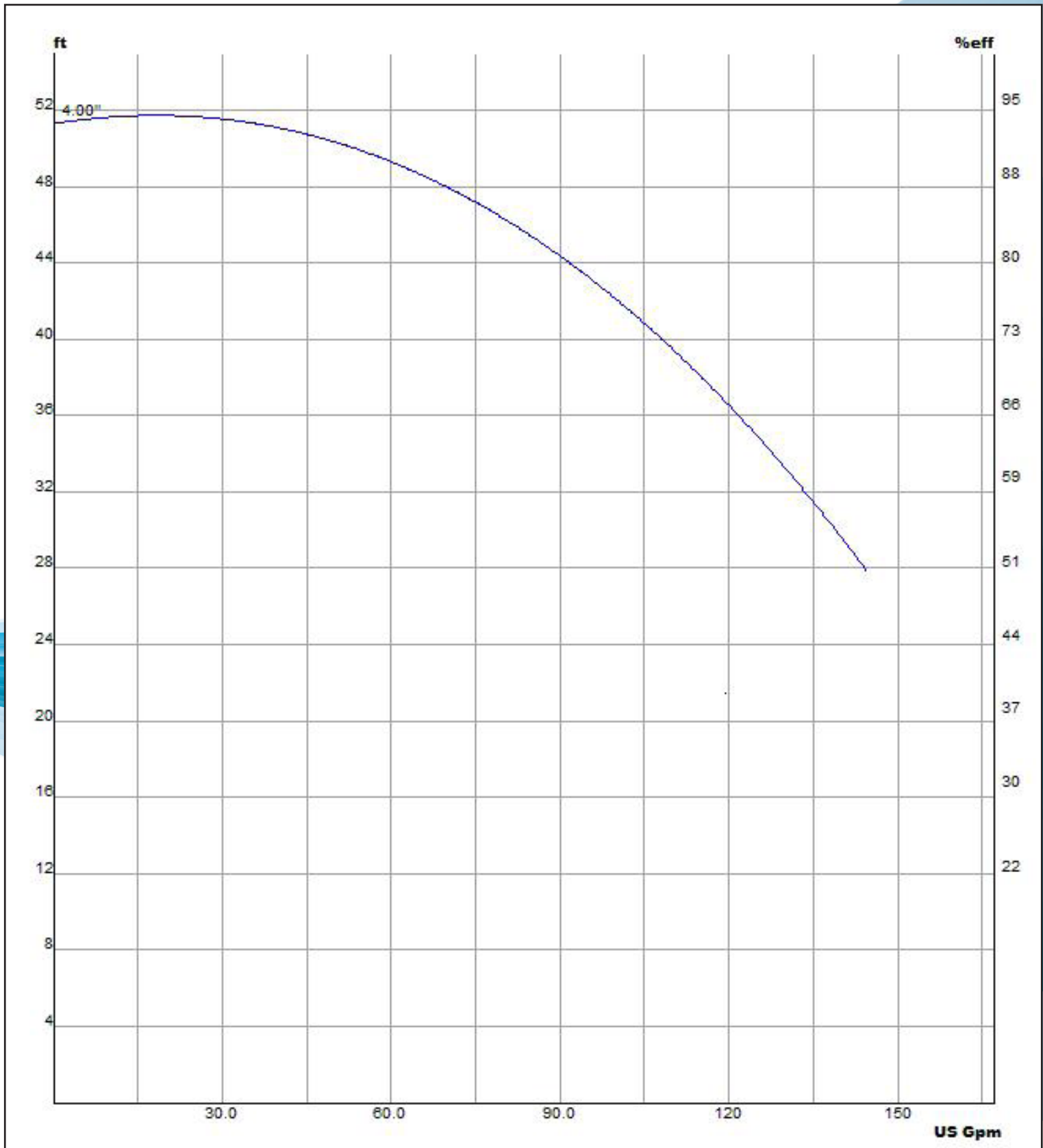
Size and weight

Model	Size (in)		Weight (lbs)
	B1	B2	
PSM32-10-1	20 3/25	8 7/8	93
PSM32-10	20 3/25	8 7/8	93
PSM32-20-2	22 7/8	8 7/8	101
PSM32-20	22 7/8	8 7/8	101
PSM32-30-2	25 5/8	8 7/8	110
PSM32-30	29 2/15	8 7/8	128
PSM32-40-2	31 8/9	8 7/8	137
PSM 32-40	31 8/9	8 7/8	137
PSM32-50-2	34 9/14	8 7/8	146
PSM 32-50	34 9/14	8 7/8	139
PSM 32-60-2	33 6/7	11 1/32	148
PSM 32-60	33 6/7	11 1/32	148
PSM32-70-2	37 3/8	11 1/32	157
PSM 32-70	37 3/8	11 1/32	157
PSM32-80-2	42 1/8	11 1/32	165
PSM 32-80	42 11/12	13 7/12	179
PSM32-90-2	42 11/12	13 7/12	187
PSM 32-90	42 11/12	13 7/12	187
PSM32-100-2	48 3/7	13 7/12	196



SERIES PSM PUMPS

● 600-PSM42-30-2

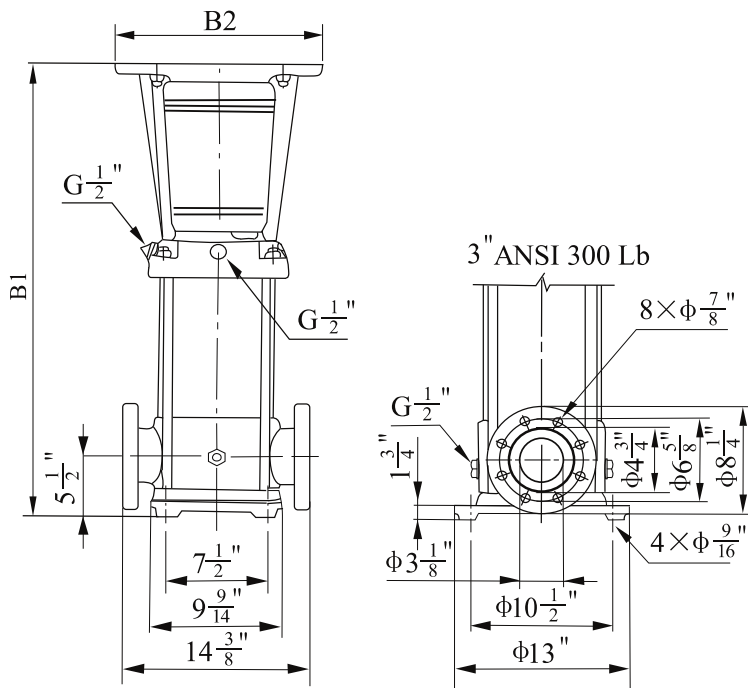


PSM 42

Performance table

Model	Driving motor		Frame	Q (m ³ /h)	30	35	40	42	45	50	55	60	65
	(kW)	(hp)											
<input type="checkbox"/> PSM 42-10-1	5.5	7.5	213TC	H (m)	29	28	27	26	25	23	21	19	16
<input type="checkbox"/> PSM 42-10	7.5	10	215TC		34	33	32	31.5	30	29	27	25	22
<input type="checkbox"/> PSM 42-20-2	11	15	254TC		57	55	53	52	49	46	43	38	33
<input type="checkbox"/> PSM 42-20	15	20	256TC		69	67	65	63	61	59	55	50	44
<input type="checkbox"/> PSM 42-30-2	18.5	25	284TSC		90	88	85	83	80	75	72	63	55
<input type="checkbox"/> PSM 42-30	18.5	25	284TSC		102	100	97	95	92	88	82	76	68
<input type="checkbox"/> PSM 42-40-2	22	30	286TSC		125	121	118	115	112	105	98	89	78
<input type="checkbox"/> PSM 42-40	30	40	324TSC		136	133	129	126	123	117	112	102	89
<input type="checkbox"/> PSM 42-50-2	30	40	324TSC		159	154	149	146	142	134	121	115	99
<input type="checkbox"/> PSM 42-50	30	40	324TSC		171	166	161	158	154	145	138	126	112
<input type="checkbox"/> PSM 42-60-2	37	50	326TSC		194	188	182	178	173	163	155	139	122
<input type="checkbox"/> PSM 42-60	37	50	326TSC		205	200	193	190	186	176	166	152	134
<input type="checkbox"/> PSM 42-70-2	45	60	364TSC		227	220	213	210	205	193	182	165	144
<input type="checkbox"/> PSM 42-70	45	60	364TSC		239	232	226	221	216	204	194	178	157

Installation sketch



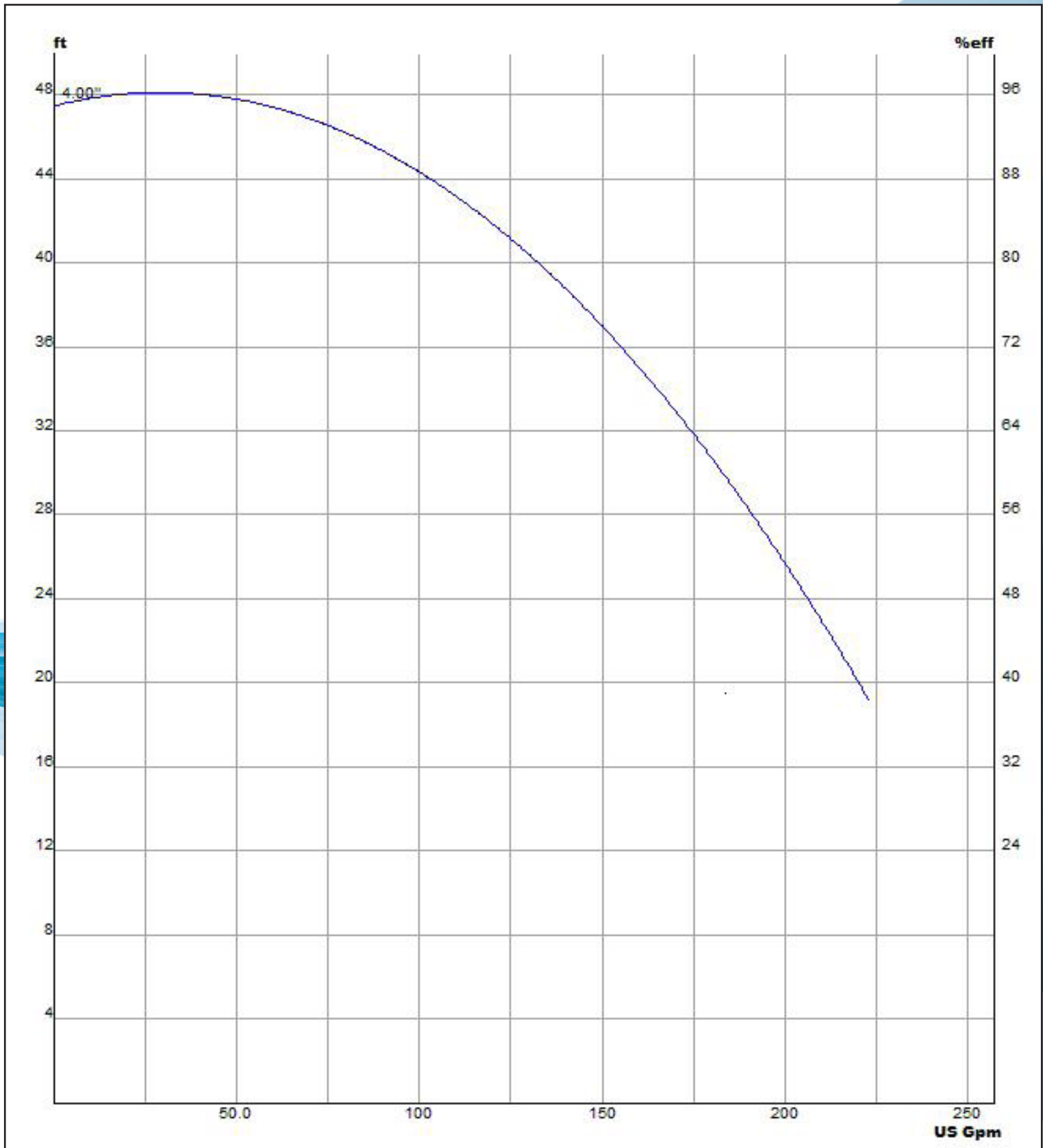
Size and weight

Model	Size (in)		Weight (lbs)
	B1	B2	
PSM 42-10-1	22 8/25	8 7/8	137
PSM 42-10	22 8/25	8 7/8	137
PSM 42-20-2	29 1/20	8 7/8	163
PSM 42-20	29 1/20	8 7/8	163
PSM 42-30-2	31 2/5	11 1/32	165
PSM 42-30	31 2/5	11 1/32	165
PSM 42-40-2	34 9/16	11 1/32	174
PSM 42-40	35 5/14	13 7/12	190
PSM 42-50-2	38 1/2	13 7/12	198
PSM 42-50	38 1/2	13 7/12	198
PSM 42-60-2	41 2/3	13 7/12	207
PSM 42-60	41 2/3	13 7/12	207
PSM 42-70-2	44 2/5	15 11/20	234
PSM 42-70	44 2/5	15 11/20	234



SERIES PSM PUMPS

● 600-PSM65-20-2

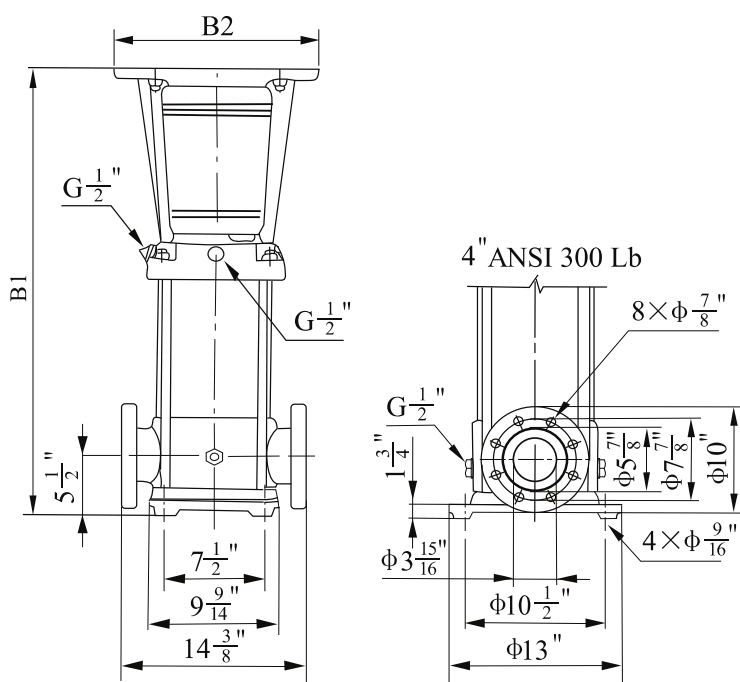


PSM 65

Performance table

Model	Driving motor		Frame	Q (m ³ /h)	40	50	60	65	70	80	90	100
	(kW)	(hp)										
PSM 65-10-1	7.5	10	215TC	H (m)	26	25	23	22	21	18	14	10
PSM 65-10	11	15	254TC		37	35	33	32	31	28	24	21
PSM 65-20-2	15	20	256TC		53	50	47	44	42	37	31	23
PSM 65-20	22	30	286TSC		74	72	67	64	62	57	51	42
PSM 65-30-2	22	30	286TSC		93	88	80	76	72	65	56	45
PSM 65-30	30	40	324TSC		112	108	100	96	93	86	77	65
PSM 65-40-2	30	40	324TSC		130	124	115	110	103	94	83	66
PSM 65-40	37	50	326TSC		152	144	135	130	123	114	102	86
PSM 65-50-2	45	60	364TSC		172	162	151	144	137	126	112	91

Installation sketch



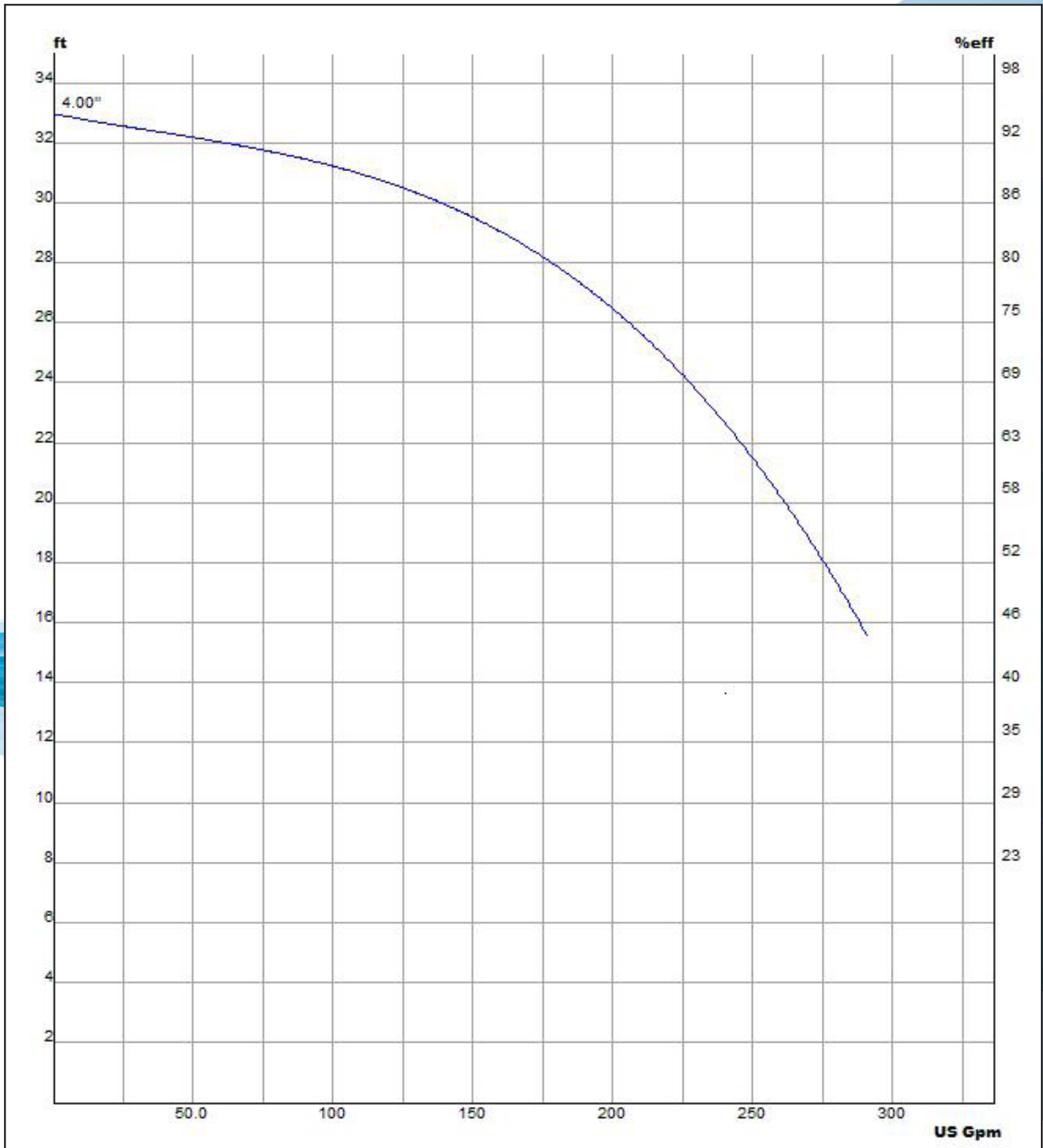
Size and weight

Model	Size (in)		Weight (lbs)
	B1	B2	
PSM 65-10-1	22 ⁸ / ₂₅	8 ⁷ / ₈	139
PSM 65-10	26 ¹ / ₄₂	8 ⁷ / ₈	157
PSM 65-20-2	29 ⁵ / ₁₇	8 ⁷ / ₈	168
PSM 65-20	28 ¹ / ₂	11 ¹ / ₃₂	161
PSM 65-30-2	31 ¹¹ / ₁₅	11 ¹ / ₃₂	172
PSM 65-30	32 ¹ / ₂	13 ⁷ / ₁₂	187
PSM 65-40-2	35 ¹⁰ / ₁₃	13 ⁷ / ₁₂	198
PSM 65-40	35 ¹⁵ / ₁₉	13 ⁷ / ₁₂	214
PSM 65-50-2	38 ⁵ / ₈	15 ¹¹ / ₂₀	225



SERIES PSM PUMPS

600-PSM85-10-2

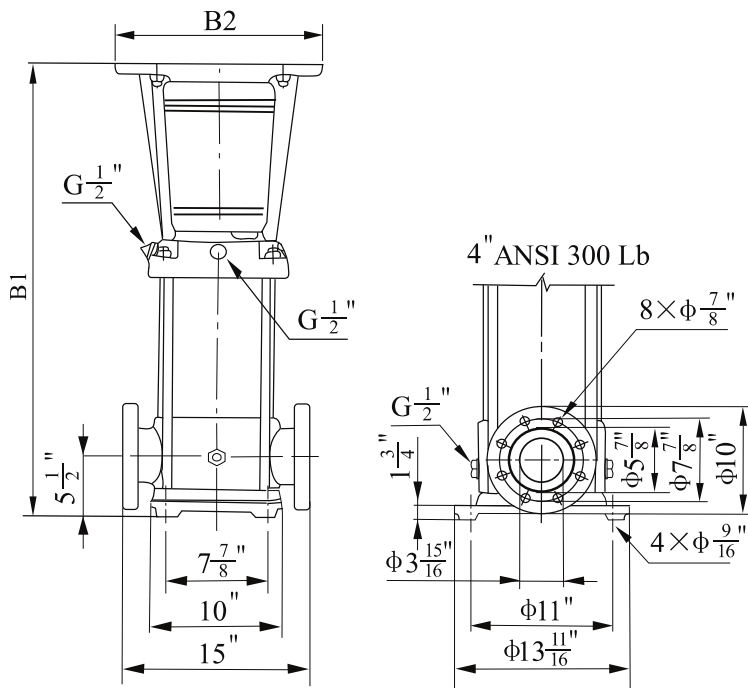


PSM 85

Performance table

Model	Driving motor		Frame	Q (m ³ /h)	H (m)											
	(kW)	(hp)			60	70	80	85	90	100	110	120	130			
PSM 85-10-1	11	15	254TC	H (m)	31	27	25	24	23	21	18	14	9			
PSM 85-10	15	20	256TC		36	35	33	31	30	29	26	23	18			
PSM 85-20-2	18.5	25	284TSC		59	57	54	51	48	44	39	32	22			
PSM 85-20-1	22	30	286TSC		67	65	62	59	57	51	47	41	33			
PSM 85-20	30	40	324TSC		76	73	69	66	64	60	56	52	44			
PSM 85-30-2	37	50	326TSC		98	94	88	85	82	75	69	59	46			
PSM 85-30-1	37	50	326TSC		108	104	98	94	90	83	78	69	56			
PSM 85-30	45	60	364TSC		116	111	105	102	97	93	88	79	69			
PSM 85-40-2	45	60	364TSC		141	135	128	124	118	109	102	89	72			

Installation sketch



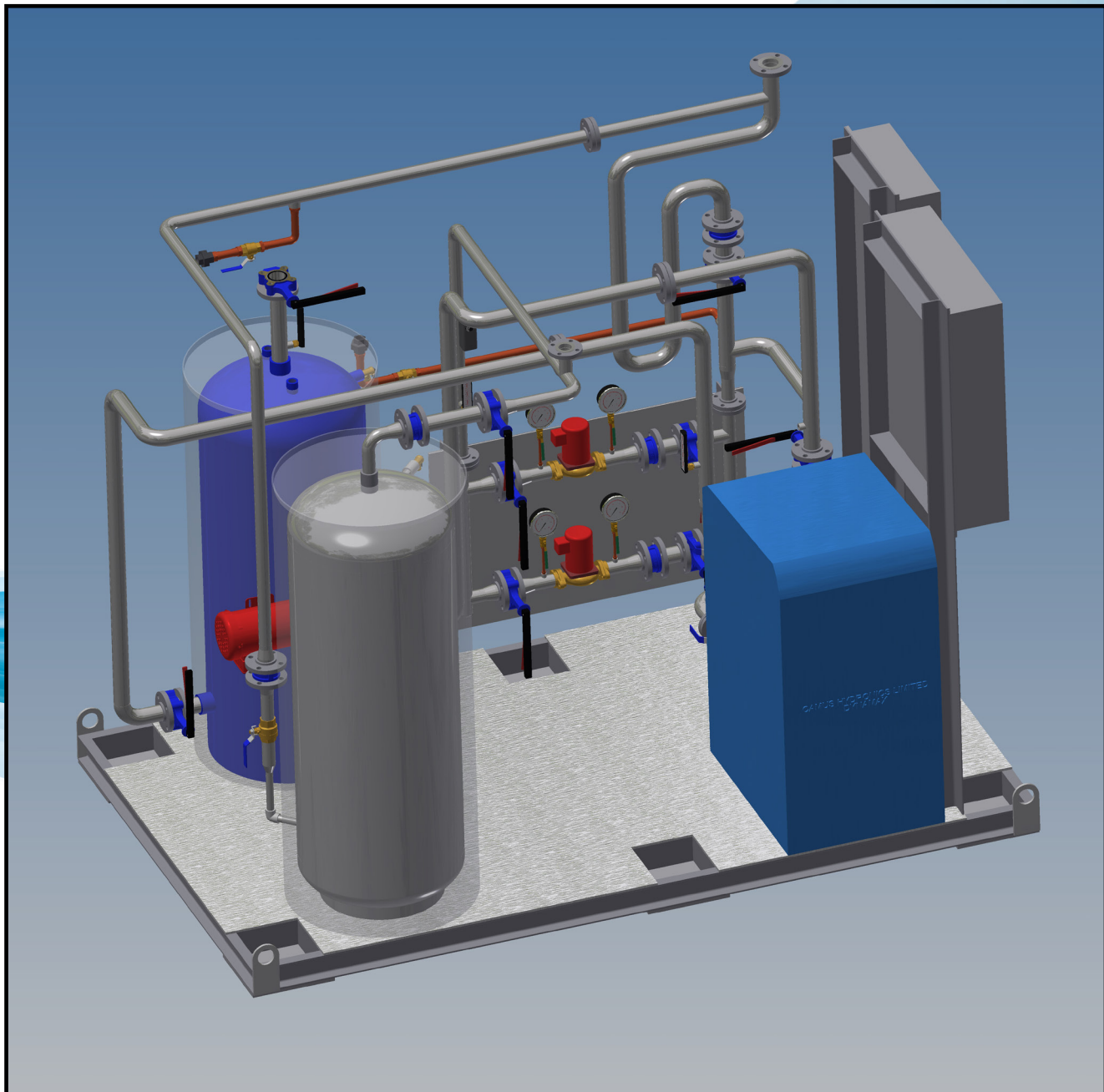
Size and weight

Model	Size (in)		Weight (lbs)
	B1	B2	
PSM 85-10-1	22 2/23	8 7/8	163
PSM 85-10	22 2/23	8 7/8	163
PSM 85-20-2	29 1/4	11 1/32	168
PSM 85-20-1	29 1/4	11 1/32	168
PSM 85-20	30 1/25	13 7/12	187
PSM 85-30-2	33 2/3	13 7/12	202
PSM 85-30-1	33 2/3	13 7/12	202
PSM 85-30	33 4/15	15 11/20	220
PSM 85-40-2	36 8/9	15 11/20	234



SERIES PSM PUMPS

• Package It



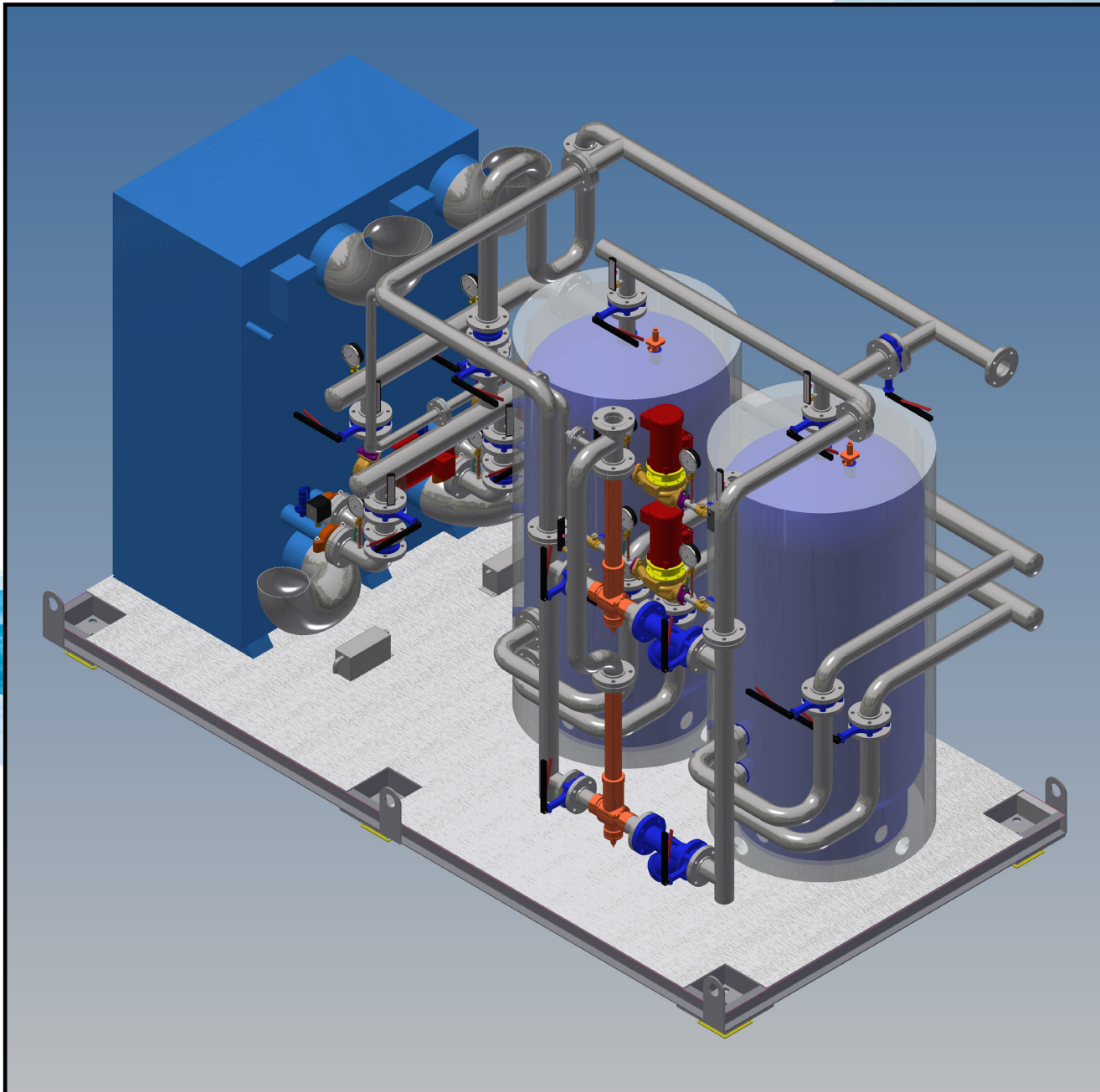
Go to www.flofab.com in Our Products Section to see the Master Spec - <http://www.arcomnet.com/masterspec/>





SERIES PSM PUMPS

• Package It



Go to www.flofab.com in Our Products Section to see the Master Spec - <http://www.arcomnet.com/masterspec/>





We are proud supplier for the following completed and on going projects :



Bethware Elementary High School
115 Bethware Dr, Kings Mountain, NC, United States



Old Montreal College
255 Ontario Est
Montreal, Quebec, CA



Ratiopharm Inc.
17800 Rue Lapointe,
Mirabel, QC, CA



Campus 99
5151 Côte-Ste-Catherine
Road, Montréal, QC, CA

Sales and Service:

Quebec, Canada
Tel. : (450) 621-2995
Fax : (450) 621-4995

Lake Worth
Florida, USA
33467-5749

Toronto, Canada
Tel. : +1 (647) 544-2995

www.flofab.com

SERVICE 24/7 : parts@flofab.com

