



www.flofab.com



LIGHT VERTICAL
MULTISTAGE
CENTRIFUGAL
PUMP

PSM
PSMF

FOR NEMA C-FRAME
MOTORS



Index

03 <ul style="list-style-type: none">• About Us• Timeline• Quebec Enterprise Text• Our Advantages	06 Performance Scope // Product Range	07 Pump	08 Max. Working Pressure // Max. Ambient Temperature
09 Curve Illustration // Performance Curve	10 Min. Inlet Pressure NPSH // Operation In Parallel	11 Material	14 Technical Data: PSMF1 60 Hz
16 Technical Data: PSMF2 60 Hz	18 Technical Data: PSMF3 60 Hz	20 Technical Data: PSMF4 60 Hz	22 Technical Data: PSMF8 60 Hz
24 Technical Data: PSMF10 60 Hz	26 Technical Data: PSMF12 60 Hz	28 Technical Data: PSMF15 60 Hz	30 Technical Data: PSMF20 60 Hz
32 Technical Data: PSMF32 60 Hz	34 Technical Data: PSMF42 60 Hz	36 Technical Data: PSMF65 60 Hz	38 Technical Data: PSMF85 60 Hz

History

Flo Fab was established in 1981 by Denis Gauvreau who created and developed the product line, which is constantly being perfected by Marc Gauvreau and a team of professional engineers and designers. It is a combination of existing designs from several renowned products and the innovative ideas of a new generation professionals.

Through the years, Flo Fab has acquired several companies and service entities including: AQUA-PROFAB (ASME Tanks manufacturer), MÉNARD, LÉONARD ÉLECTRIQUE, PMA. Moreover, Flo Fab also purchased equipment, fabrication designs and patterns from IDEALCO, a manufacturer of shell and tube type heat exchangers.

The after-sales services, sales, engineering, R&D, production, quality control, accounting and administration departments of all the above companies share the same location.

In December 2014, Marc Gauvreau, son of the founder, acquired all of the company's shares. Flo Fab and is constantly investing in new state-of-the-art innovations, new products like the XRI series and Prefab Skid for Hydronic Heating 8 cooling system and pumping systems. This has allowed Flo Fab to retain our competent and qualified staff of professionals with a variety of specialized skills that continually work on improving our existing products and adding new engineered solutions that exceed customers' expectations .

Flo Fab has grown quite rapidly and now proudly offers of a wide range of products available directly from one manufacturer. This includes pumps and pump packages, tanks, heat exchangers and hydronic accessories. This allows each project's stakeholders to enjoy economical savings, peace of mind, best value for their investment and optimized total cost of ownership.

About us

**CENTRIFUGAL PUMPS | TANKS
COMPLETE CHILLER PACKAGE**

Flo Fab is a leader in the pumps industry. In-line Pumps, In-line Circulators, End Suction Base Mounted, Horizontal Closed Coupled End Suction, Horizontal Closed Coupled Stainless Steel Pump, Multi Stage, Submersible Effluent & Sewage, Condensate, Boiler Feed Closed Coupled, Vertical Turbine, Split Case, 16 Position Single Suction, Flo Fab has it and so much more. All Flo Fab pump products are made with a resin pattern which results in an improved exterior finish, smooth interior passage, and higher efficiency pumps. All pumps are factory tested and a certified performance test is available when requested by the consultant.



OVER THE YEARS, FLO FAB HAS GROWN AND DEVELOPED A FULL LINE OF PUMPS FOR DIFFERENT MARKET SEGMENT. WE OFFER A FULL LINE OF HVAC, PLUMBING, INDUSTRIAL, MUNICIPAL AND RELATED ACCESSORIES.

We are proud to offer a wide range of products directly from one manufacturer. This includes pump, integrated skids package, tanks, heat exchangers and hydronic accessories. As the one stop shop, each stakeholder is afforded economical savings, one source responsibility, best value for their investment and optimized total cost of the project.



All Flo Fab pump products are made with a resin pattern which results in an improved exterior finish, smooth interior passage, and higher efficiency pumps. All pumps are factory tested and we offer an optional performance test.



1981

Flo Fab was founded by Denis Gauvreau who created and developed the product line.

1990

Flo Fab sells its own line of pumps designed in Quebec. It all started in a small factory located in Laval.

2000

In 2000, Flo Fab has moved to a new factory of 28,000 sq. ft. in Bois-des-Filion.

2022

The boom in the construction industry allowed Flo Fab to have a great year despite the pandemic.

2020

The plant was expanded by another 37,000 sq. ft.

2020

Sales are up 40%

2014

Marc Gauvreau, son of the founder, acquired all the shares of the company.

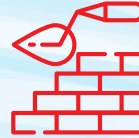
The company is experiencing, an impressive growth.

Magazine Quebec Enterprise, volume 63
Text by Guy Hébert



MANUFACTURE

When Denis Gauvreau founded Flo Fab in 1981, the company was only doing the distribution of pumps and accessories HVAC (Heat, Ventilation and Air) Conditioning - HVAC for heating, ventilation and air conditioning). Later, under the governance of the second generation of Gauvreau, Flo Fab began manufacturing pumps. The manufacturing side of the company was born with the conception design of an accessory that measured the flow rate in water pipes. Today Flo Fab is now run by Marc Gauvreau, with the support of its employees competent at all levels and in all divisions..



CONSTRUCTION

During these years, Flo Fab has developed pumps with stainless steel recessed impellers for its 4 900 H&V, 2600, XRI series Universal and ZDRI with double suction. Stainless steel impellers have longer life, regardless of either the applied liquid to be compared to the similar bronze impellers.



DELIVERY

The company is now selling its product in the United States, in the Caribbean and in South America where demand is currently growing. Along the way, we also did the acquisition of a service center to to get to know the strengths and weaknesses of competitors' products. We are a small player in a very big market where we have to find creative solutions to counter protectionist policies like the Buy America Act. This is after the 2008 crisis that we have decided to improve our turnover in Canada», says Marc Gauvreau.



ITS OWN LINE

Since 1990, Flo Fab has been selling its own line of pumps designed right here at Quebec. It all started in a small factory located in Laval. In 2000, Flo Fab has moved to a new factory of 28,000 sq. ft. in Bois-des-Filion, which has even been enlarged by another 37,000 ft2 in 2020



Our Advantages



Statistics

The boom in the construction industry has allowed Flo Fab to have a record year despite the pandemic in 2020 and already in 2021, sales are up 40%.



A Pioneer in the Industry

Our Founder



Our Employees

With about 50 employees including several engineers « on the mark » as the saying goes proudly Marc Gauvreau, and about forty of subcontractors, Flo Fab sees the future with optimism while recognizing that one of its biggest challenges is the retention of its staff



Flo Fab expands to serve you better

The expansion of the facilities in Bois-des-Filion made it possible to reorganize the factory in order to increase the production rate. « The contractor handed over the keys to us on March 13, 2020, the day the pandemic forced the government to impose almost general confinement.

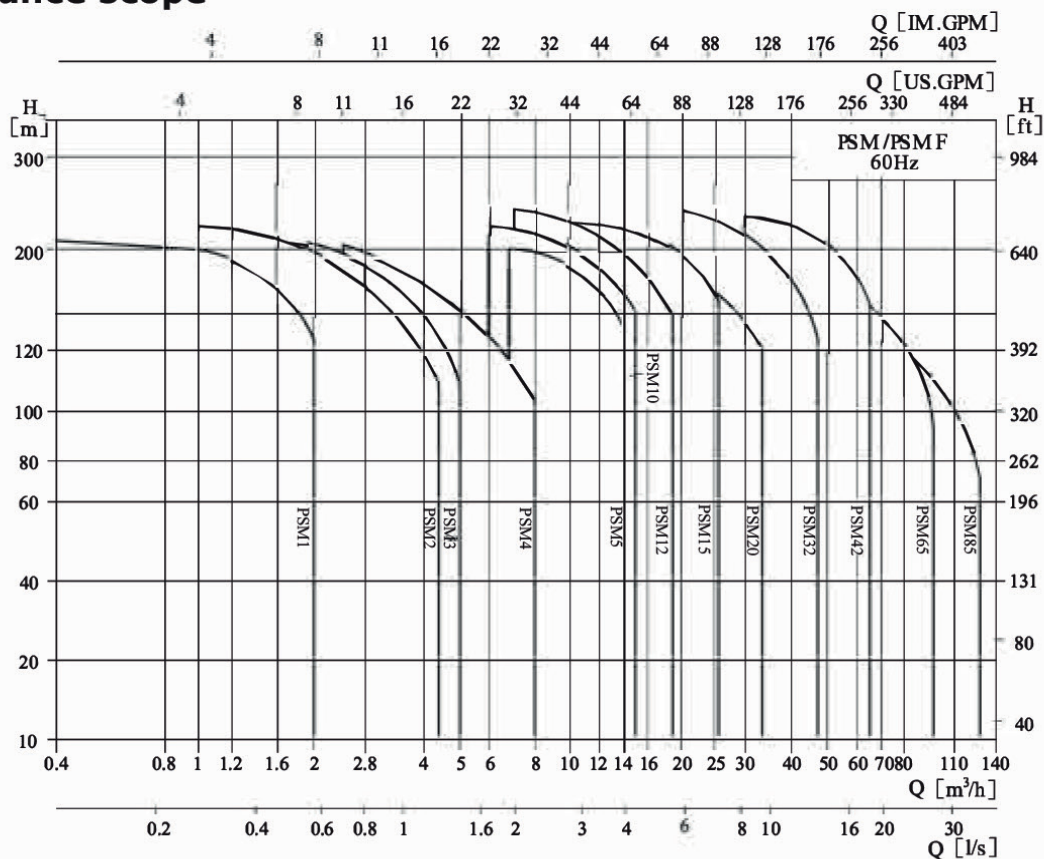


« As soon as there is a crane. There is a pump »

« there are pumps everywhere and as soon as there is a crane, for example, there is a pump », specifies the president. The company also offers complete sets of boiler rooms.

06 General Data

● Performance scope



Product range

Description	PSM1	PSM2	PSM3	PSM4	PSM8	PSM10	PSM12	PSM15	PSM20	PSM32	PSM42	PSM65	PSM85
Rated flow [m³/h]	1	2	3	4	8	10	12	15	20	32	42	65	85
Rated flow [l/s]	0.28	0.56	0.83	1.1	2.2	2.78	3.3	4.2	5.6	8.9	11.7	18	24
Flow range [m³/h]	0.6-2	1-4.5	1.5-5	2.5-8	7-14	6-15	7-19	10-26	12-34	20-48	30-65	40-100	60-130
Flow range [l/s]	0.17-0.56	0.28-1.25	0.42-1.4	0.7-2.2	1.9-3.9	1.67-4.17	1.95-3	2.8-7.2	3.3-9.4	5.5-13.3	8.3-18	11.1-27.7	16.7-36.1
Max. pressure [bar]	22	23.5	23	21	20	25	25	20	20	25	26	18	15
Motor power [kW]	0.37-2.2	0.55-3.7	0.37-3.7	0.75-5.5	0.75-11	0.75-11	1.1-15	1.5-18.5	2.2-18.5	2.2-30	5.5-45	7.5-45	11-45
Temperature range [°C]	-15 ~ +120												
Max. efficiency [%]	44	46	54	57	62	68	63	70	69	73	75	76	77
Type													
PSM	●	●	●	●	●	●	●	●	●	●	●	●	●
PSMF	●	●	●	●	●	●	●	●	●	●	●	●	●
PSM Pipe connection													
ANSI Flange	1"	1"	1"	1¼"	1½"	1½"	2"	2"	2"	2½"	3"	4"	4"
PSMF Pipe connection													
ANSI Flange	1"	1"	1"	1¼"	1½"	1½"	2"	2"	2"	2½"	3"	4"	4"

● Pump

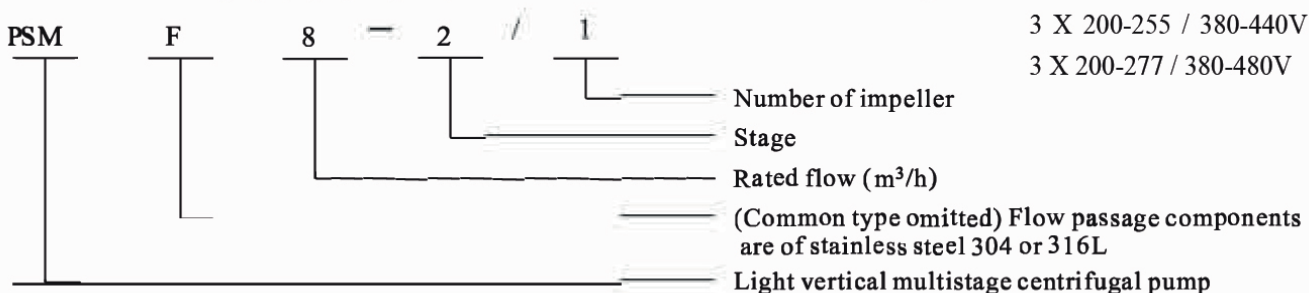
PSM / PSMF is a kind of vertical non-self priming multistage centrifugal pump, which is driven by a standard electric motor. The motor output shaft directly connects with the pump shaft through a coupling. The pressure-resistant cylinder and flow passage components are fixed between pump head and inlet & outlet section with lie-bar bolts. The inlet and outlet are located at the pump bottom at the same plane. This kind of pump can be equipped with an intelligent protector to effectively prevent it from dry-running, out-of-phase and overload.

● Operation conditions

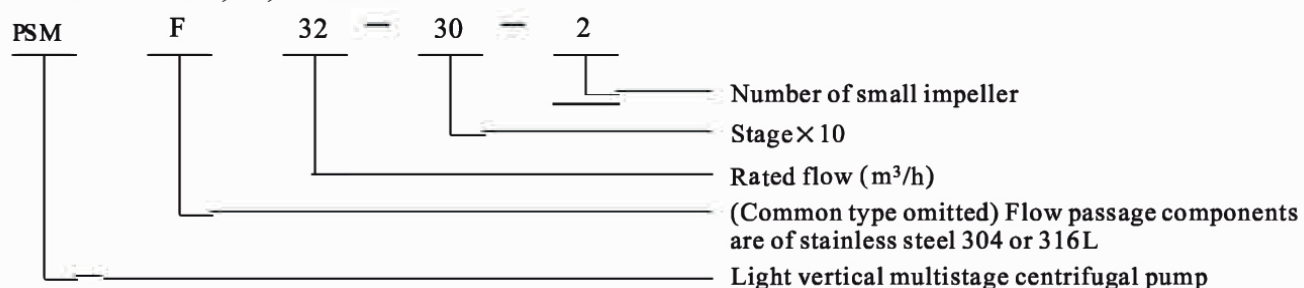
- Thin, clean, non-flammable and non-explosive liquid containing no solid granules and fibers.
- Liquid temperature:
Normal temperature type: $-15^{\circ}\text{C} \sim +10^{\circ}\text{C}$,
Hot water type: $-15^{\circ}\text{C} \sim +120^{\circ}\text{C}$
- Ambient temperature: up to $+40^{\circ}\text{C}$
- Altitude: up to 1000m

● Definition of Model

PSM/PSMF1,2,3,4,8,10,12,15 and 20



PSM/PSMF32,42,65 and 85



● Application

PSM/ PSMF is a kind of multifunctional products. It can be used to convey various medium from tap water to industrial liquid at different temperature and with different flow rate and pressure. PSM type is applicable to conveying non-corrosive liquid, while PSMF is suitable for slightly corrosive liquid.

- Water supply: Water filter and transport in Waterworks, boosting of main pipeline, boosting in high-rise buildings.
- Industrial boosting: Process flow water system, cleaning system, high-pressure washing system, fire fighting system.
- Industrial liquid conveying: Cooling and air-conditioning system, boiler water supply and condensing system, machine-associated purpose, acids and alkali.
- Water treatment: Ultrafiltration system, reverse osmosis system, distillation system, separator, swimming pool.
- Irrigation: Farmland irrigation, spray irrigation, dripping irrigation.

● Motor

- Full-enclosed air-blast two-pole standard motor
- Protection class: IP55
- Insulation class: F
- Standard voltage: 60Hz: 3 X 200-230 / 346-400V
3 X 200-255 / 380-440V
3 X 200-277 / 380-480V

08 General Data

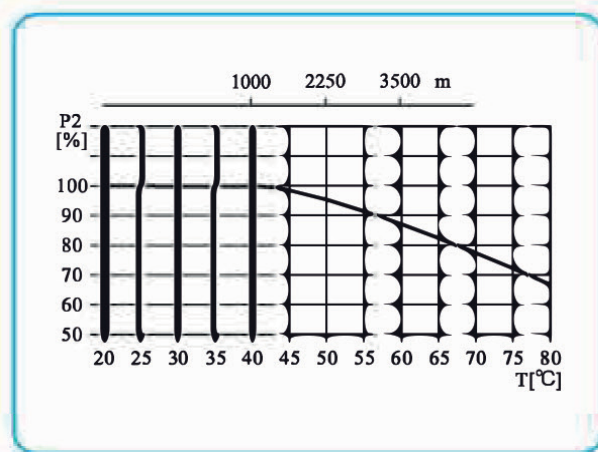
● Max working pressure

Model	Max. pressure(bar)
60Hz	
PSM,PSMF1,2,3,4	25
PSM,PSMF8,10,12,15,20	25
PSM32	
32-10-1~32-60-2	16(30)
32-60~32-100-2	30
PSMF32	
	30
PSM42	
42-10-1~42-40-2	16(30)
42-40~42-60	25(30)
42-70-2~42-70	30
PSMF42	
42-10-1~42-60	25(30)
42-70-2~42-70	30
PSM65	
65-10-1~65-30	16(25)
65-40-2~65-50-2	25
PSM85	
85-10-1~85-30-2	16(25)
85-30-1~85-40-2	25
PSMF65,85	
	25

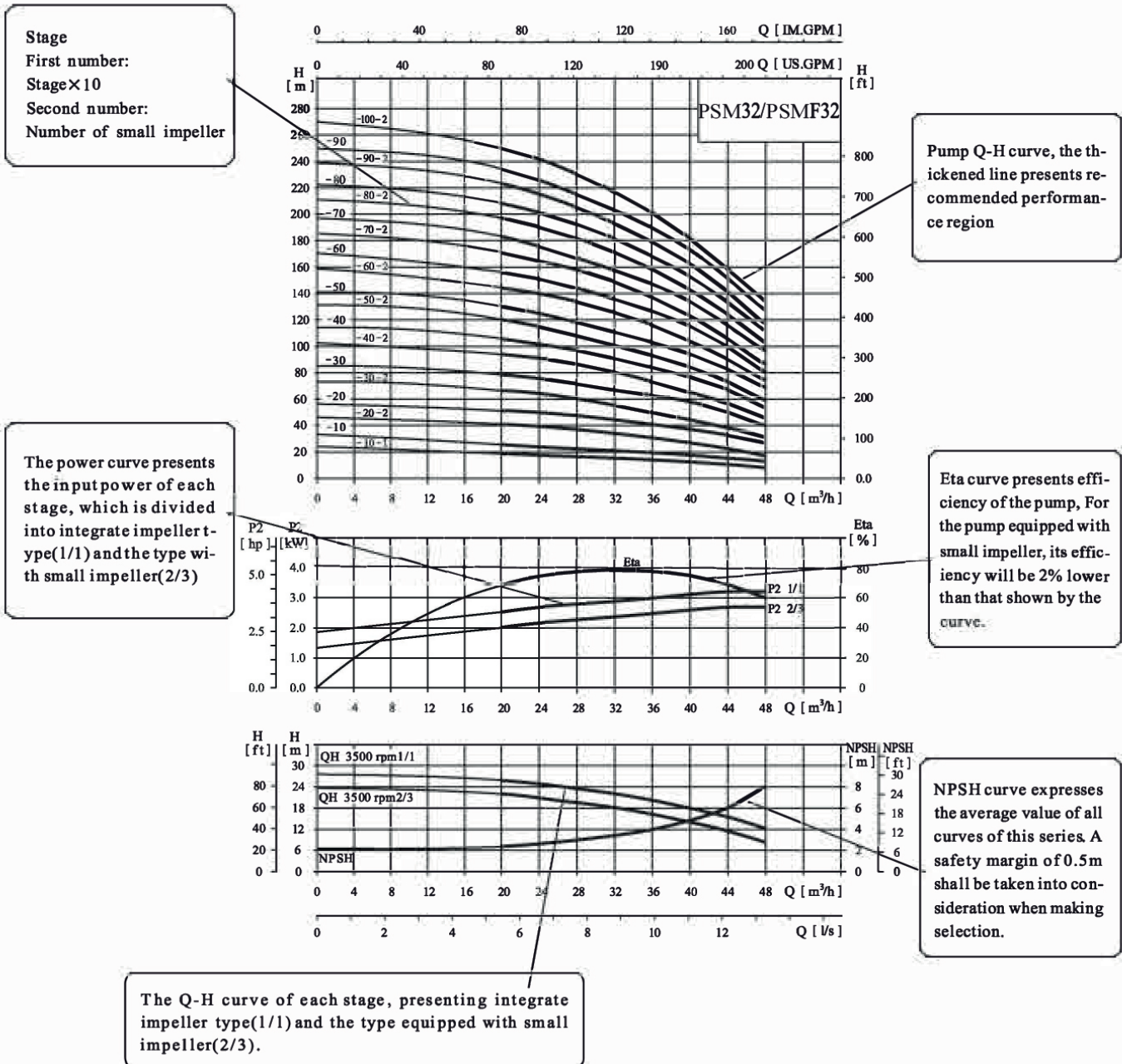
Pumps with pressure inside brackets need to specify especially.

● Max. Ambient temperature

When the pump operates under ambient temperature higher than 40°C or under altitude higher than 1000m, because of low air density and poor cooling effects, the motor output power P2 will be decreased to certain extent. If the pump is operated under the above-said conditions, it should be equipped with motor of higher power.



Curve illustration



Performance curve

Following conditions are suitable for the performance curves shown bellow:

1. All curves are based on the measured values of constant motor speed 3500 r/min;
2. Curve tolerance in conformity to ISO9906:2012 Grade 3B.
3. Measurement is done with 20°C air-free water, kinematic viscosity of 1mm²/sec.

4. The operation of pump shall refer to the performance region indicated by the thickened curve to prevent overheating due to too small flow rate or overload of motor due to too large flow rate.

10 General Data

● Minimum inlet pressure NPSH

In case that the pressure in pump is lower than the steam pressure used to convey liquid, the cavitations will occur. To avoid cavitations, a minimum pressure at the inlet side of the pump shall be guaranteed. The maximum suction stroke can be calculated with following formula:

$$H = P_b \times 10.2 - \text{NPSH} - H_f - H_v - H_s$$

P_b = atmosphere pressure [bar]

(can be set as 1 bar)

In a closed system, P_b means system pressure [bar]

NPSH = Net positive suction head [m]

(It can be read out from the point of possible max.

flow rate shown on NPSH curve)

H_f = Pipeline loss at the inlet [m]

H_v = Steam pressure [m]

H_s = Safety margin = Minimum 0.5m delivery head

If the calculated result H is positive, the pump may run under the max. Suction stroke H .

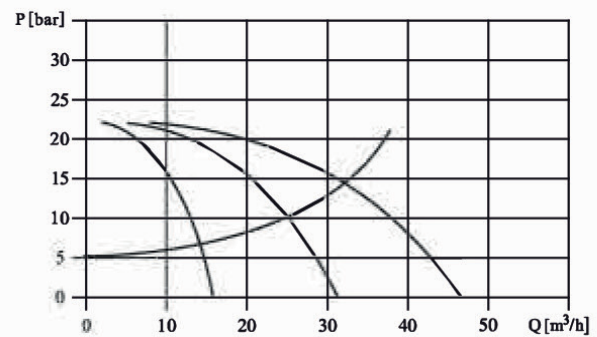
In case the calculated result H is negative, a delivery head of min. Inlet pressure is necessary.

● Operation in parallel

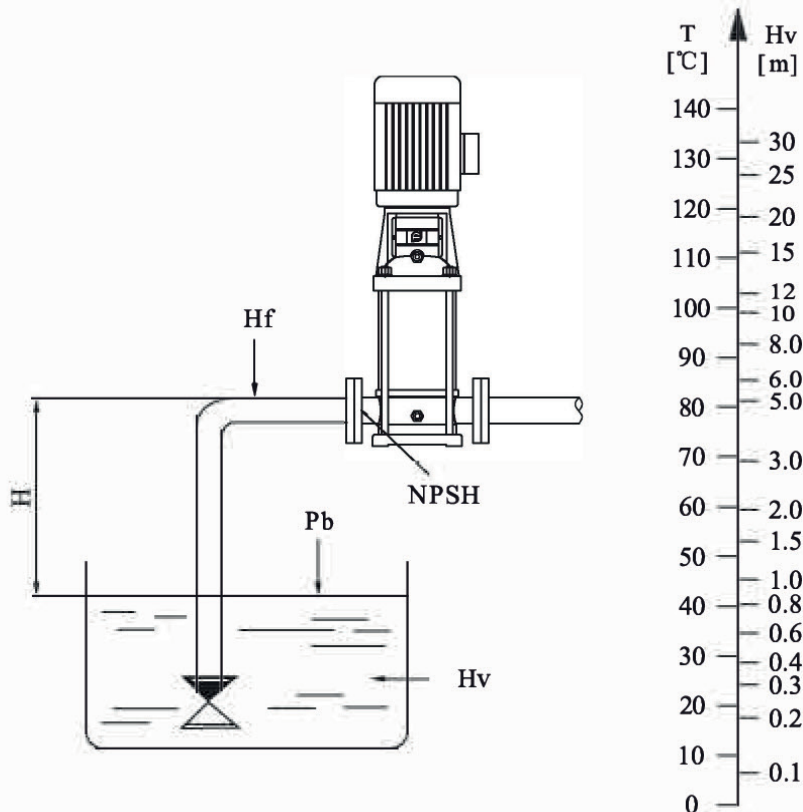
Connecting several pumps in parallel running will benefit much more than running a single large pump.

● Applicable to different working states necessary in a variable flow system.

● Increasing the possibility of water supply when the pump is in failure. Because in case of pump failure, only part of the system flow is effected.

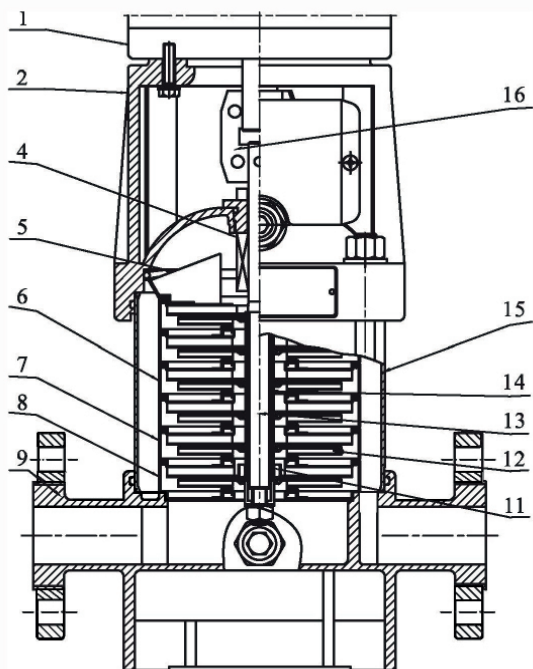


Two pumps or more can be connected in parallel running if necessary.

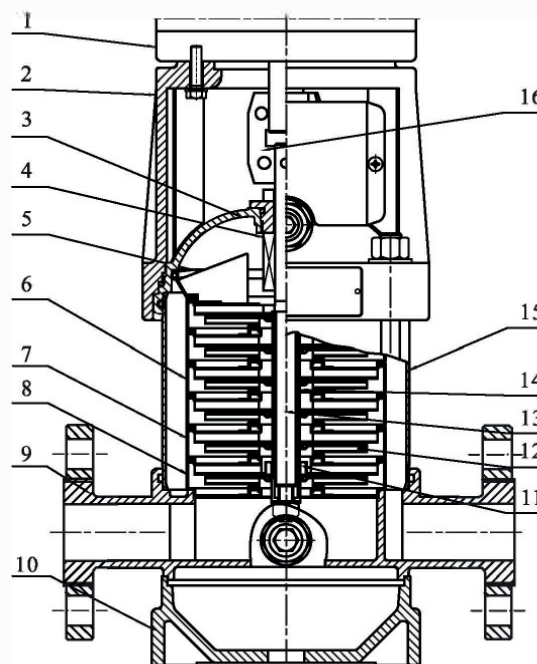


Check and ensure that the pump is not at cavitations state.

● Section drawing PSM/PSMF1,2,3,4



PSM



PSMF

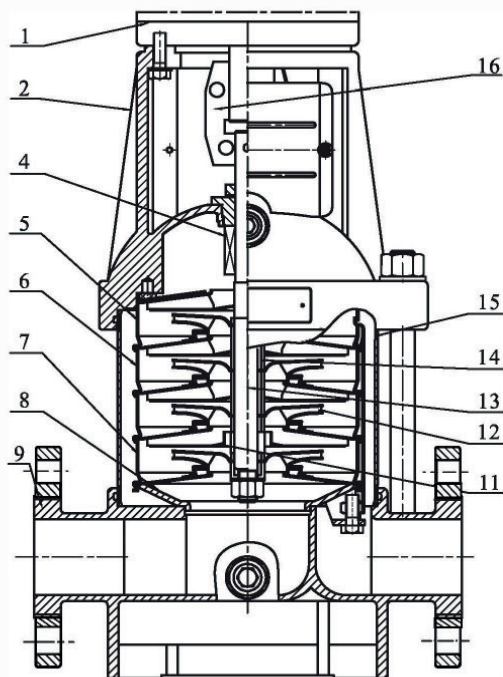
● Material PSM/PSMF1,2,3,4

NO.	Name	Material	AISI/ASTM
1	Motor		
2	Pump head	Cast iron	ASTM25B
4	Mechanical seal		
5	Top diffuser	Stainless steel	AISI304
6	Diffuser	Stainless steel	AISI304
7	Support diffuser	Stainless steel	AISI304
8	Inducer	Stainless steel	AISI304
11	Bearing	Tungsten carbide	
12	Impeller	Stainless steel	AISI304
13	Shaft	Stainless steel	AISI304 AISI316L

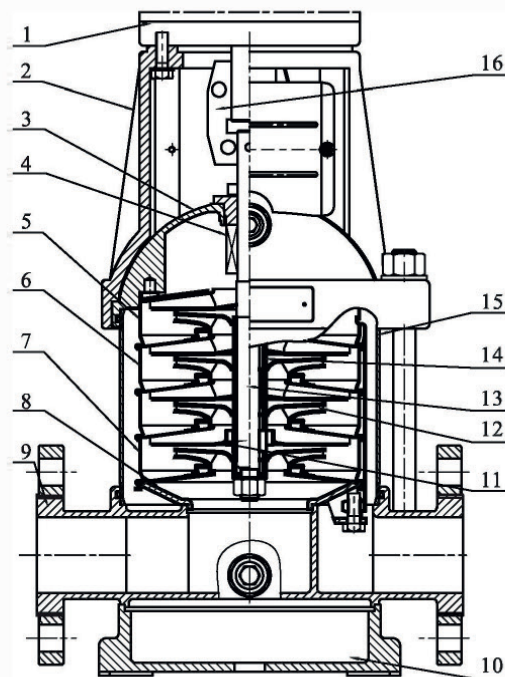
NO.	Name	Material	AISI/ASTM
14	Impeller sleeve	Stainless steel	AISI304
15	Cylinder	Stainless steel	AISI304
16	Coupling	Carbon steel	
CDLF			
3	Seal base	Stainless steel	AISI304
9	Inlet and outlet chamber	Stainless steel	AISI304
10	Base plate	Cast iron	ASTM25B
CDL			
9	Inlet and outlet chamber	Cast iron	ASTM25B

12 General Data

● Section drawing PSM/PSMF8,10,12,15,20



PSM



PSMF

● Material PSM/PSMF8,10,12,15,20

NO.	Name	Material	AISI/ASTM
1	Motor		
2	Pump head	Cast iron	ASTM25B
4	Mechanical seal		
5	Top diffuser	Stainless steel	AISI304
6	Diffuser	Stainless steel	AISI304
7	Support diffuser	Stainless steel	AISI304
8	Inducer	Stainless steel	AISI304
11	Bearing	Tungsten carbide	
12	Impeller	Stainless steel	AISI304
13	Shaft	Stainless steel	AISI304 AISI316L

NO.	Name	Material	AISI/ASTM
14	Impeller sleeve	Stainless steel	AISI304
15	Cylinder	Stainless steel	AISI304
16	Coupling	Carbon steel	

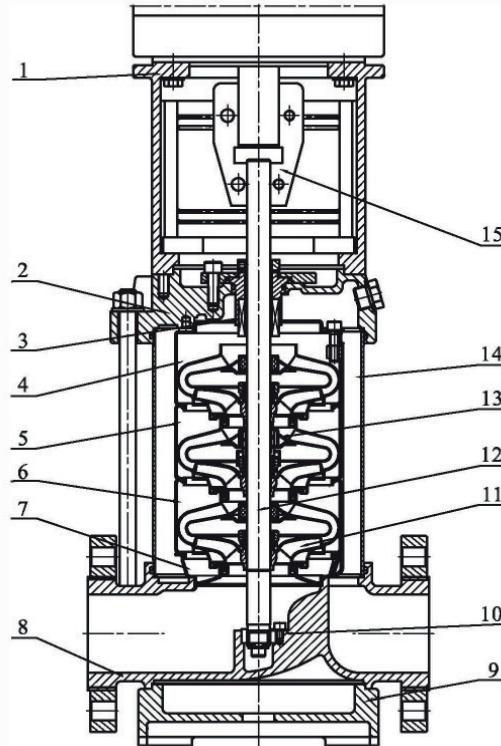
PSMF

3	Seal base	Stainless steel	AISI304
9	Inlet and outlet chamber	Stainless steel	AISI304
10	Base plate	Cast iron	ASTM25B

PSM

9	Inlet and outlet chamber	Cast iron	ASTM25B
---	--------------------------	-----------	---------

● Section drawing PSM/PSMF32,42,65,85



● Material PSM/PSMF32,42,65,85

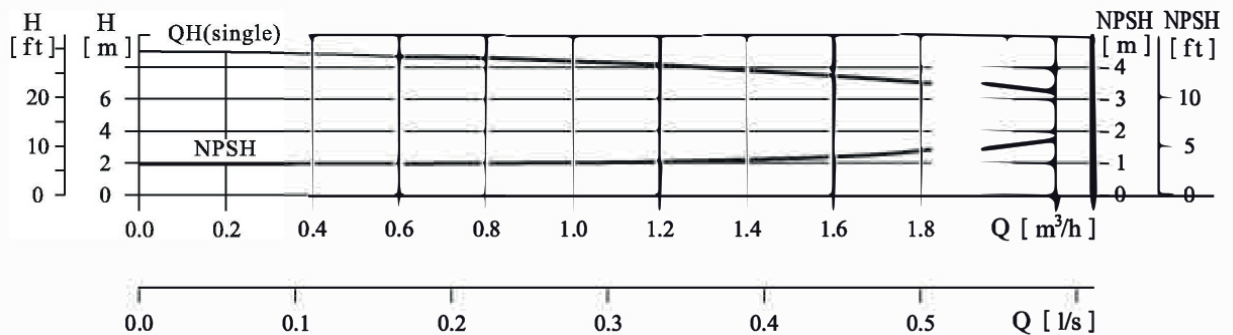
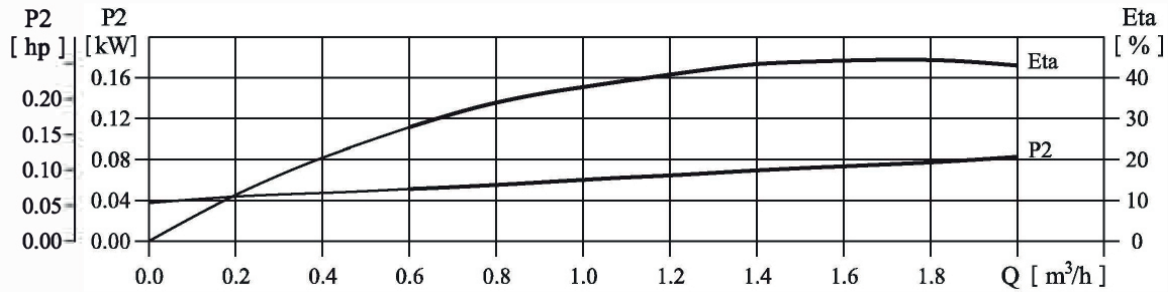
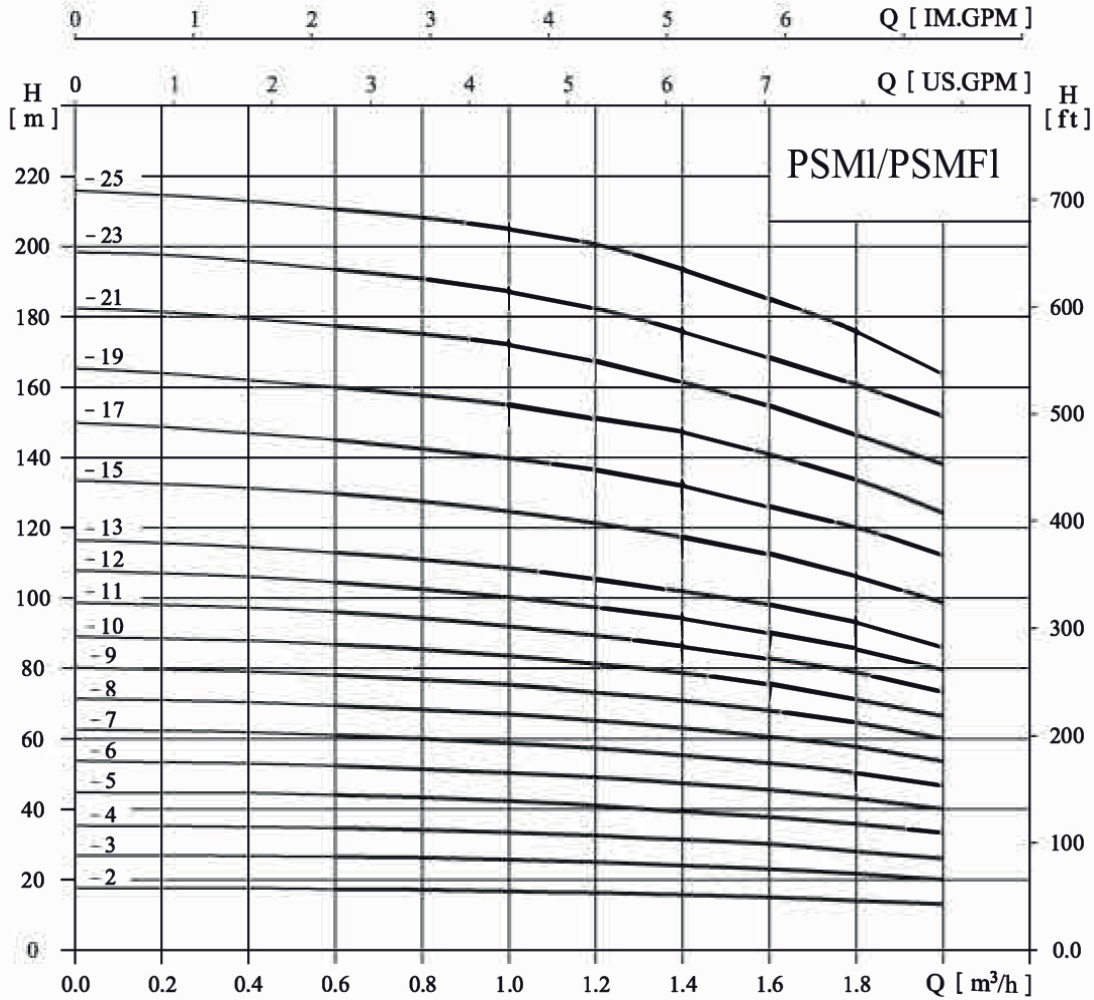
NO.	Name	Material	AISI/ASTM
1	Bracket	Cast iron	ASTM25B
3	Mechanical seal		
4	Top diffuser	Stainless steel	AISI304
5	Support diffuser	Stainless steel	AISI304
6	Diffuser	Stainless steel	AISI304
7	Inducer	Stainless steel	AISI304
9	Base plate	Cast iron	ASTM25B
10	Bottom bearing	Tungsten carbide	
11	Impeller	Stainless steel	AISI304

NO.	Name	Material	AISI/ASTM
12	Shaft	Stainless steel	AISI316L AISI304 AISI431
13	Intermediate bearing	Tungsten carbide	
14	Cylinder	Stainless steel	AISI304
15	Coupling	Carbon steel	
	Rubber parts	NBR	
PSM			
2	Pump head	Cast iron	ASTM25B
8	Inlet and outlet chamber	Cast iron	ASTM25B
PSMF			
2	Pump head	Stainless steel	AISI304
8	Inlet and outlet chamber	Stainless steel	AISI304

14 PSM/PSMFI 60 Hz

● Performance curve

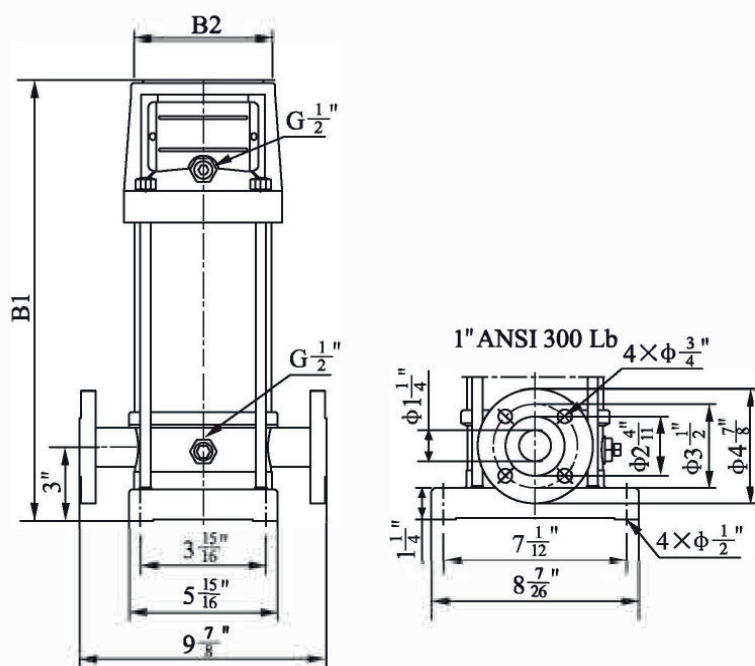
ISO9906 Annex A



● Performance table

Model	Driving motor		Frame	Q (m ³ /h)	0.6	0.8	1	1.2	1.4	1.6	1.8	2
	(kW)	(hp)										
PSM1-2	0.37	0.5	56C	H (m)	17.5	17	16.5	16	15.5	15	14	13
PSM1-3	0.37	0.5	56C		26.5	26	25	24	23	22	21	20
PSM1-4	0.37	0.5	56C		35	34	33	32	31	30	28	26
PSM1-5	0.55	0.75	56C		43	42	41	40	39	38	35	33
PSM1-6	0.55	0.75	56C		52	51	50	48	47	45	43	39
PSM1-7	0.75	1	56C		60	59	58	56	55	52	50	46
PSM1-8	0.75	1	56C		68	67	65	64	62	59	57	53
PSM1-9	0.75	1	56C		76	75	74	73	71	66	64	60
PSM1-10	1.1	1.5	56C		85	84	83	81	78	74	72	67
PSM1-11	1.1	1.5	56C		95	93	90	87	85	81	78	73
PSM1-12	1.1	1.5	56C		103	102	98	96	92	88	86	79
PSM1-13	1.1	1.5	56C		112	110	107	105	100	95	93	86
PSM1-15	1.5	2	56C		127	125	123	121	117	112	107	99
PSM1-17	1.5	2	56C		144	141	139	137	132	124	120	112
PSM1-19	2.2	3	182TC		160	157	155	153	147	141	134	124
PSM1-21	2.2	3	182TC		177	174	172	168	162	153	147	138
PSM1-23	2.2	3	182TC		193	190	188	184	174	167	161	152
PSM1-25	2.2	3	182TC		210	207	205	202	192	184	176	164

● Installation sketch



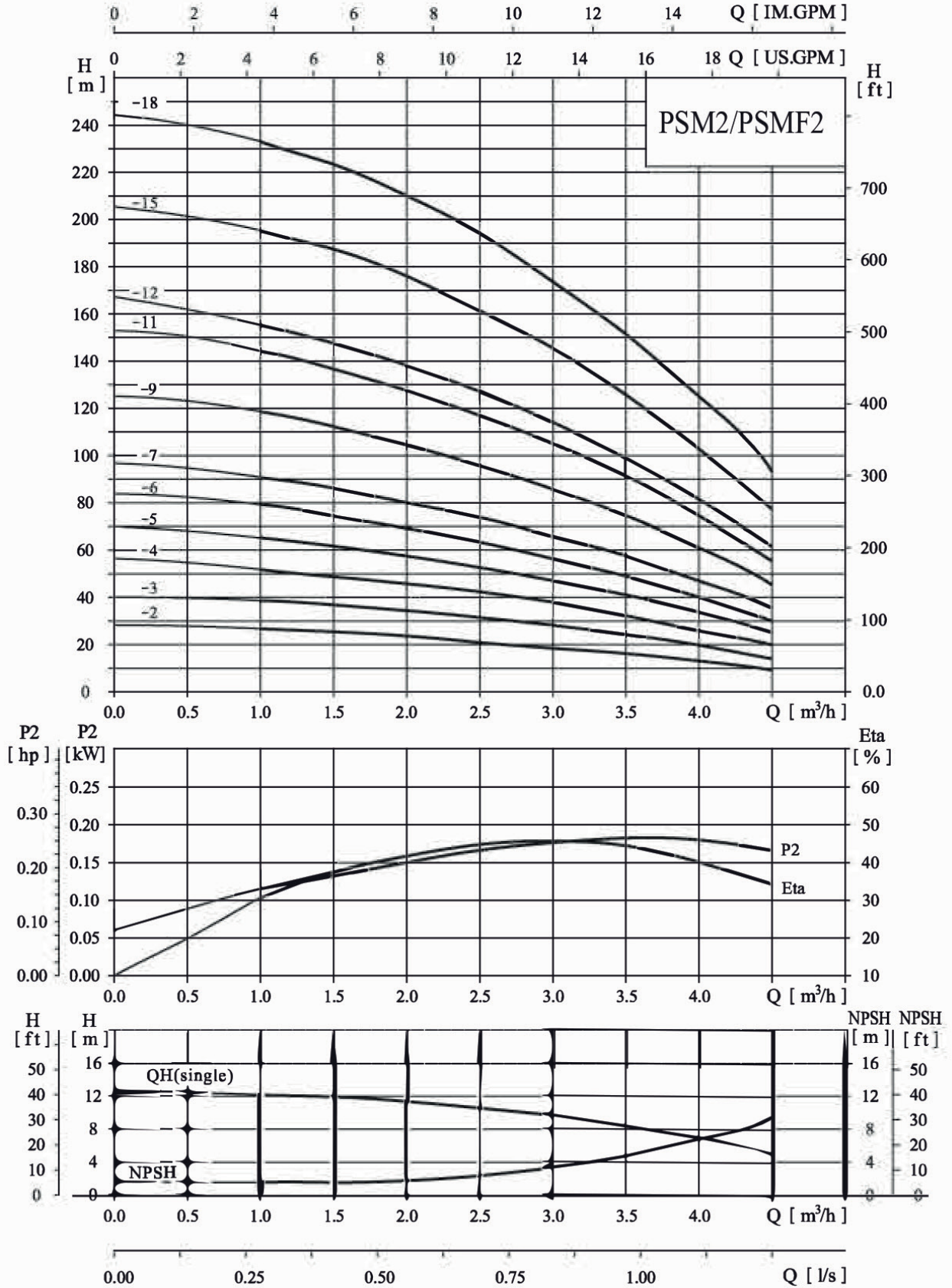
● Size and weight

Model	Size (in)		Weight (lbs)
	B1	B2	
PSM1-2	11 1/4	6 1/2	34
PSM1-3	12	6 1/2	35
PSM1-4	12 11/16	6 1/2	36
PSM1-5	13 3/8	6 1/2	37
PSM1-6	14 1/8	6 1/2	39
PSM1-7	14 13/16	6 1/2	40
PSM1-8	15 9/16	6 1/2	41
PSM1-9	16 1/4	6 1/2	42
PSM1-10	16 15/16	6 1/2	43
PSM1-11	17 11/16	6 1/2	44
PSM1-12	18 3/8	6 1/2	45
PSM1-13	19 1/16	6 1/2	46
PSM1-15	20 1/2	6 1/2	49
PSM1-17	21 15/16	6 1/2	51
PSM1-19	23 5/8	8 7/8	56
PSM1-21	25 1/16	8 7/8	57
PSM1-23	26 1/2	8 7/8	60
PSM1-25	27 7/8	8 7/8	62

16 PSM/PSMF2 60 Hz

● Performance curve

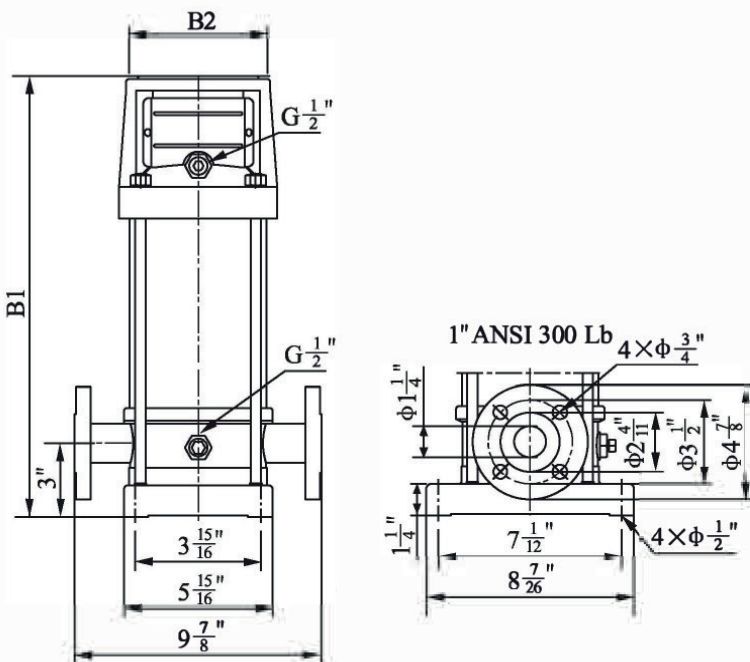
ISO9906 Annex A



● Performance table

Model	Driving motor		Frame	Q (m ³ /h)	1	1.5	2	2.5	3	3.5	4	4.5
	(kW)	(hp)										
PSM2-2	0.55	0.75	56C	H (m)	26	24	22	21	18	16	12	9
PSM2-3	0.75	1	56C		39	36	33	31	27	24	19	15
PSM2-4	1.1	1.5	56C		52	48	45	42	36	32	26	20
PSM2-5	1.1	1.5	56C		65	60	57	52	46	41	32	25
PSM2-6	1.1	1.5	56C		78	74	69	63	56	49	40	30
PSM2-7	1.5	2	56C		91	86	81	74	66	57	47	35
PSM2-9	2.2	3	182TC		117	111	104	95	86	75	61	45
PSM2-11	2.2	3	182TC		143	136	128	116	104	90	75	56
PSM2-12	2.2	3	182TC		157	149	140	126	114	98	82	61
PSM2-15	3.7	5	184TC		195	186	176	160	142	125	103	77
PSM2-18	3.7	5	184TC		234	228	212	195	171	151	126	94

● Installation sketch



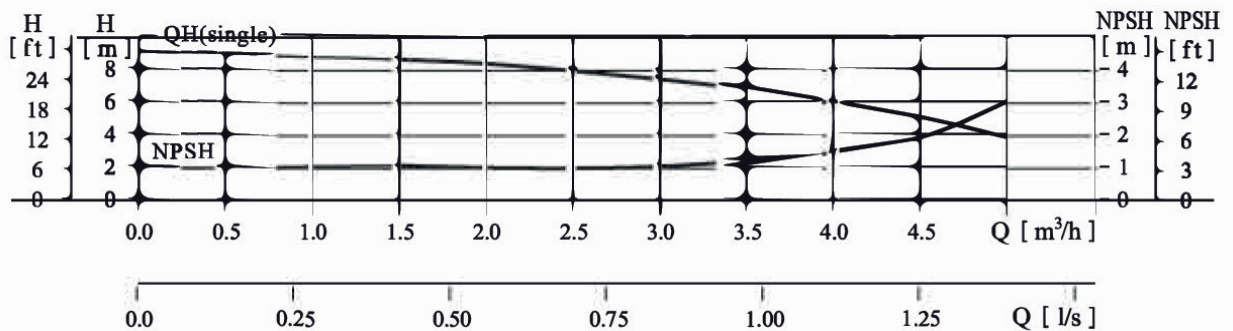
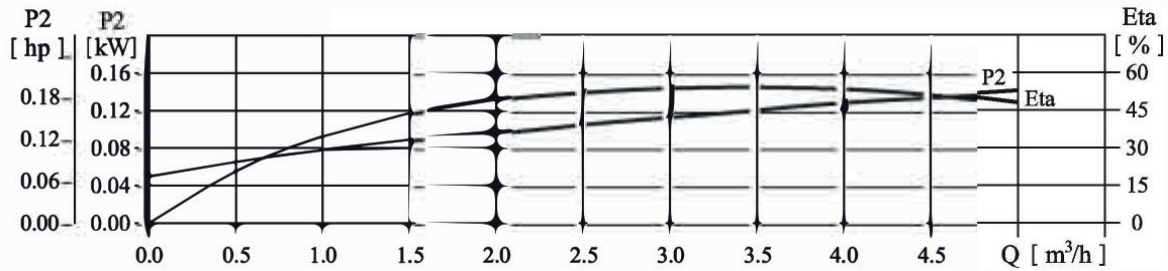
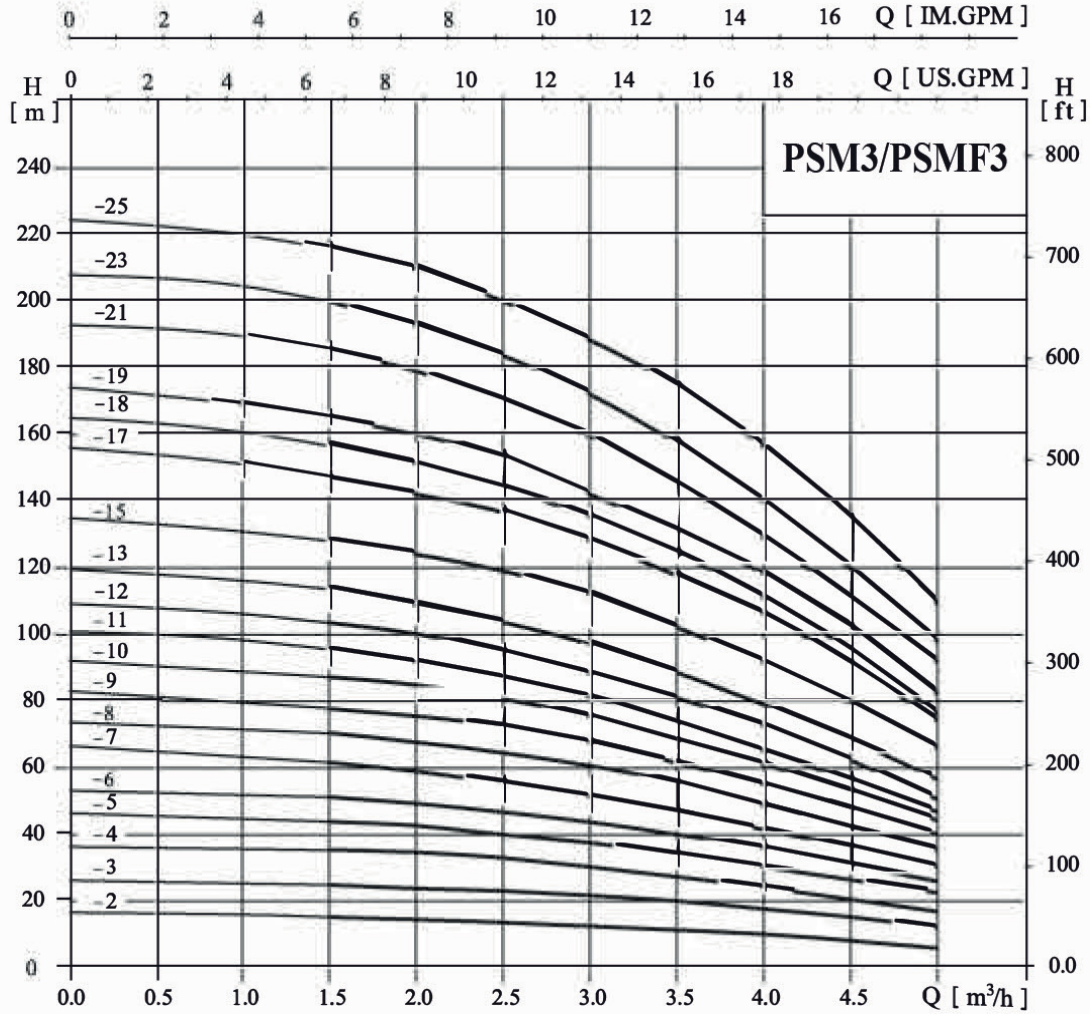
● Size and weight

Model	Size (in)		Weight (lbs)
	B1	B2	
PSM2-2	11 1/4	6 1/2	34
PSM2-3	12	6 1/2	35
PSM2-4	12 11/16	6 1/2	36
PSM2-5	13 3/8	6 1/2	37
PSM2-6	14 1/8	6 1/2	39
PSM2-7	14 13/16	6 1/2	40
PSM2-9	16 9/16	8 7/8	42
PSM2-11	18	8 7/8	44
PSM2-12	18 11/16	8 7/8	50
PSM2-15	20 13/16	8 7/8	53
PSM2-18	22 15/16	8 7/8	55

18 PSM/PSMF3 60 Hz

● Performance curve

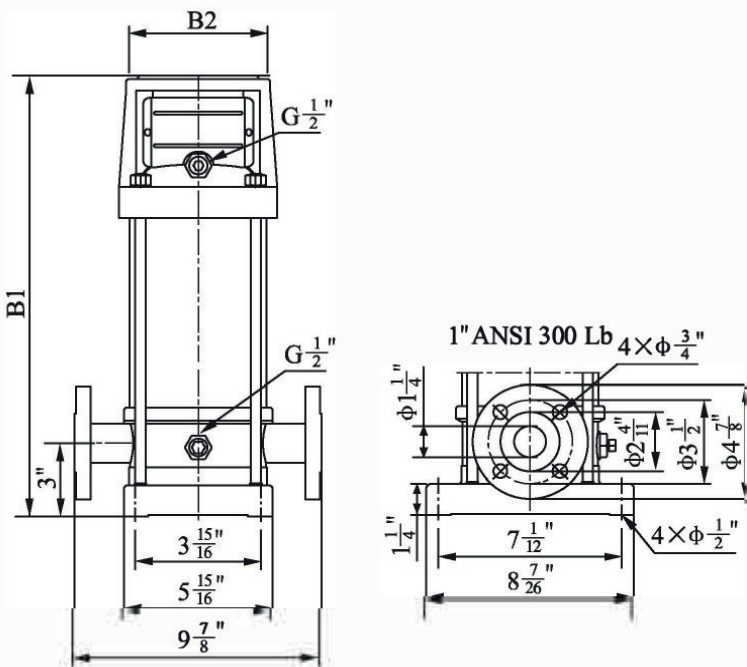
ISO9906 Annex A



● Performance table

Model	Driving motor		Frame	Q (m ³ /h)	1.5	2	2.5	3	3.5	4	4.5	5
	(kw)	(hp)										
PSM 3-2	0.37	0.5	56C	H (m)	17.5	16	15	14	13	11	9	8
PSM 3-3	0.55	0.75	56C		26.5	25	24	23	20	18	15	12
PSM 3-4	0.55	0.75	56C		35	34	32	30	27	25	20	17
PSM 3-5	0.75	1	56C		44	42	40	38	33	31	26	23
PSM 3-6	1.1	1.5	56C		51	50	48	45	40	37	32	27
PSM 3-7	1.1	1.5	56C		61	59	56	52	46	43	38	31
PSM 3-8	1.1	1.5	56C		70	67	64	61	53	49	44	35
PSM 3-9	1.5	2	56C		78	77	72	68	60	56	50	40
PSM 3-10	1.5	2	56C		87	84	81	76	68	63	55	44
PSM 3-11	1.5	2	56C		96	92	87	82	74	69	59	48
PSM 3-12	2.2	3	182TC		104	100	96	90	79	73	63	52
PSM 3-13	2.2	3	182TC		112	109	104	98	86	80	69	57
PSM 3-15	2.2	3	182TC		129	126	120	112	99	93	81	65
PSM 3-17	2.2	3	182TC		147	143	137	128	114	106	91	74
PSM 3-18	2.2	3	182TC		156	152	145	135	120	112	96	78
PSM 3-19	3.7	5	184TC		165	160	153	142	126	118	102	82
PSM 3-21	3.7	5	184TC		183	178	170	160	141	129	112	91
PSM 3-23	3.7	5	184TC		200	194	185	174	154	142	122	98
PSM 3-25	3.7	5	184TC		217	211	202	187	167	154	134	108

● Installation sketch



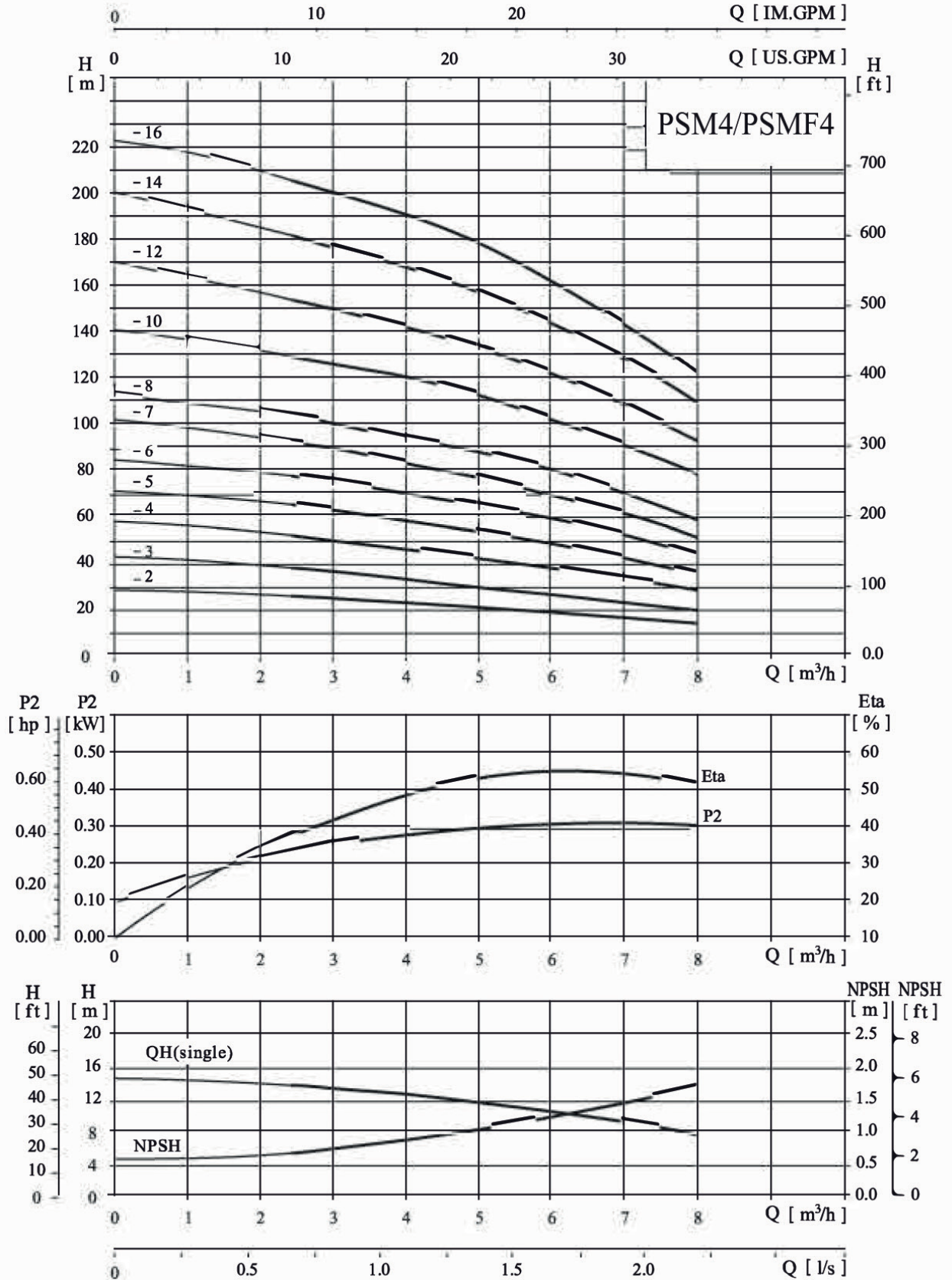
● Size and weight

Model	Size (in)		Weight (lbs)
	B1	B2	
PSM 3-2	11 1/4	6 1/2	34
PSM 3-3	12	6 1/2	35
PSM 3-4	12 11/16	6 1/2	36
PSM 3-5	13 3/8	6 1/2	37
PSM 3-6	14 1/8	6 1/2	39
PSM 3-7	14 13/16	6 1/2	40
PSM 3-8	15 9/16	6 1/2	41
PSM 3-9	16 1/4	6 1/2	42
PSM 3-10	16 15/16	6 1/2	43
PSM 3-11	17 11/16	6 1/2	44
PSM 3-12	18 11/16	8 7/8	50
PSM 3-13	19 3/8	8 7/8	51
PSM 3-15	20 13/16	8 7/8	53
PSM 3-17	22 1/4	8 7/8	54
PSM 3-18	22 15/16	8 7/8	55
PSM 3-19	23 5/8	8 7/8	56
PSM 3-21	25 1/16	8 7/8	57
PSM 3-23	26 1/2	8 7/8	60
PSM 3-25	27 7/8	8 7/8	62

20 PSM/PSMF4 60

● Performance curve

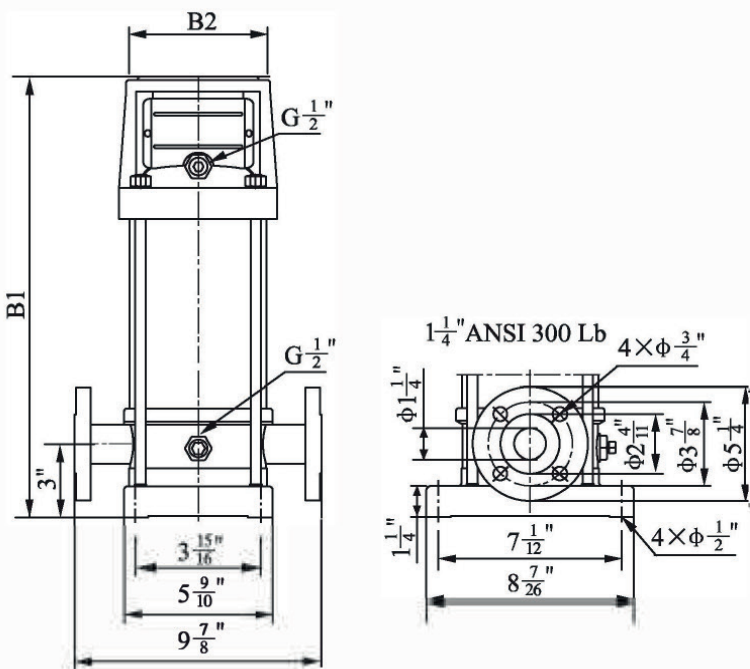
ISO9906 Annex A



● Performance table

Model	Driving motor		Frame	Q (m ³ /h)	2.5	3	4	5	6	7	8
	(kW)	(hp)									
PSM4-2	0.75	1	56C	H (m)	26	25	23	21	19	16	14
PSM4-3	1.1	1.5	56C		39	38	36	32	28	24	21
PSM4-4	1.5	2	56C		52	50	48	44	38	35	31
PSM4-5	2.2	3	182TC		65	62	60	55	49	44	39
PSM4-6	2.2	3	182TC		78	75	72	67	59	54	47
PSM4-7	3.7	5	184TC		92	88	84	78	69	62	55
PSM4-8	3.7	5	184TC		104	100	95	90	79	72	63
PSM4-10	3.7	5	184TC		130	125	120	113	102	90	80
PSM4-12	5.5	7.5	213TC		156	150	145	136	122	109	96
PSM4-14	5.5	7.5	213TC		182	176	170	159	145	129	112
PSM4-16	5.5	7.5	213TC		207	201	196	183	165	146	128

● Installation sketch



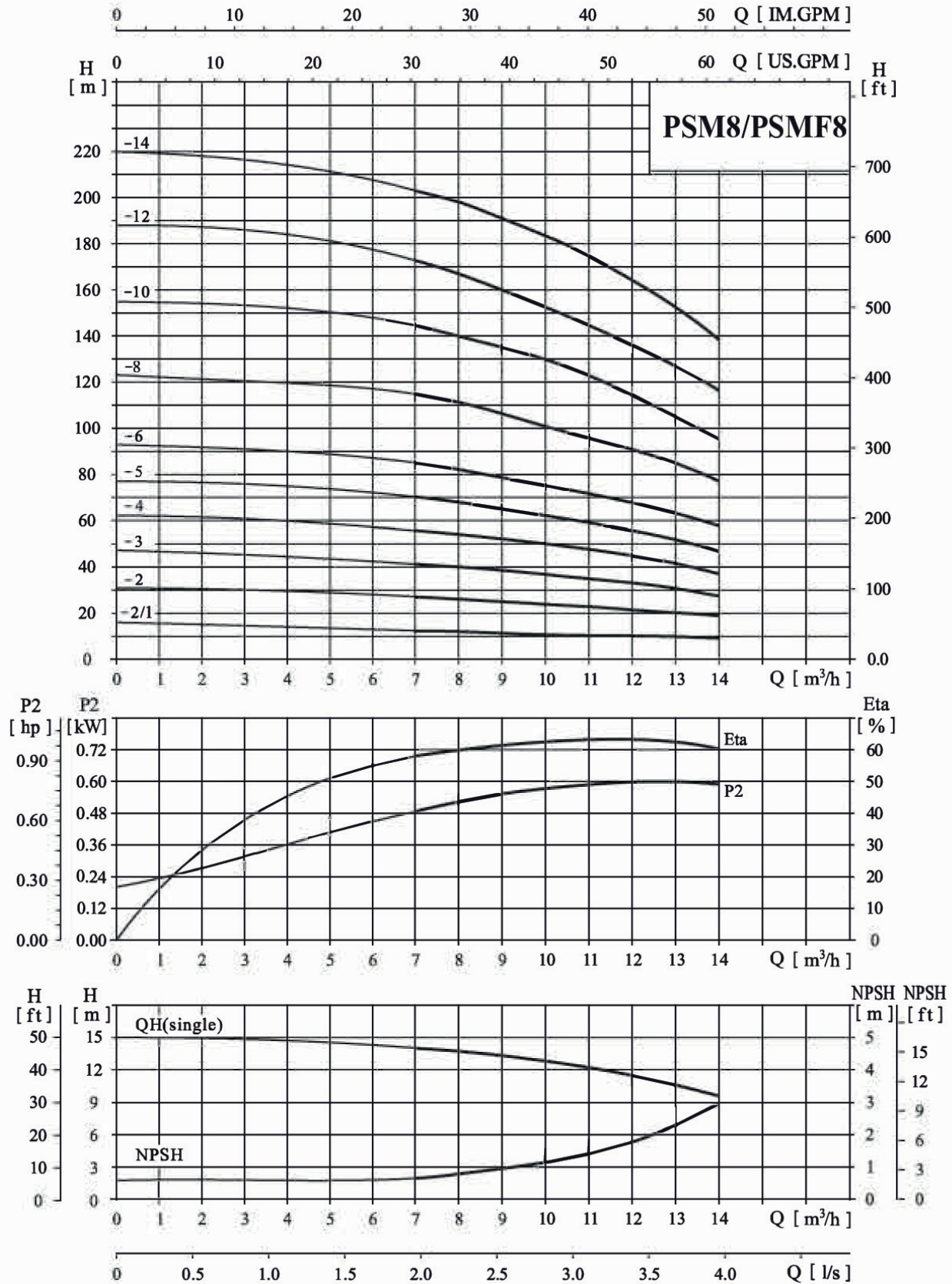
● Size and weight

Model	Size (in)		Weight (lbs)
	B1	B2	
PSM4-2	12	6 1/2	37
PSM4-3	13 1/16	6 1/2	39
PSM4-4	14 1/8	6 1/2	40
PSM4-5	15 7/16	8 7/8	46
PSM4-6	16 9/16	8 7/8	47
PSM4-7	17 5/8	8 7/8	49
PSM4-8	18 11/16	8 7/8	50
PSM4-10	20 13/16	8 7/8	51
PSM4-12	23 7/16	8 7/8	55
PSM4-14	25 9/16	8 7/8	57
PSM4-16	27 11/16	8 7/8	60

22 PSM/PSMF8 60 Hz

● Performance curve

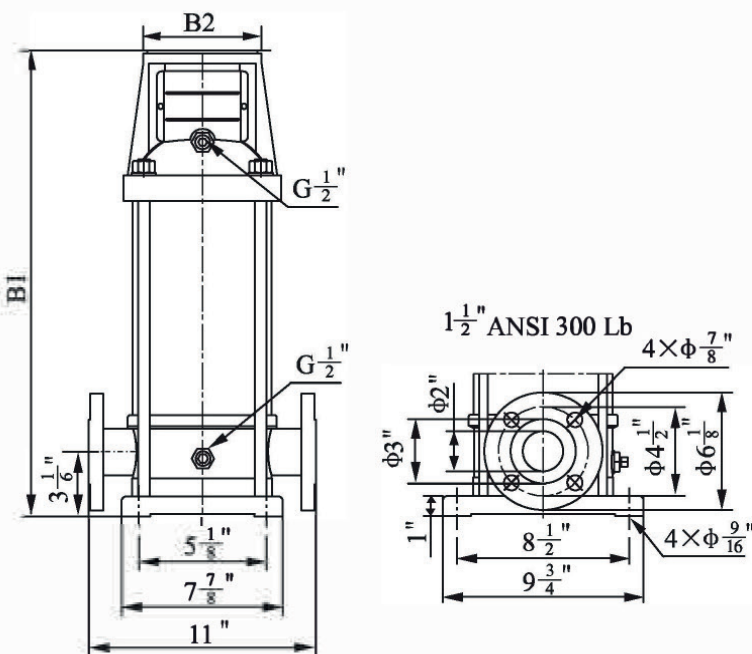
ISO9906 Annex A



● Performance table

Model	Driving motor		Frame	Q (m ³ /h)	7	8	9	10	11	12	13	14
	(kW)	(hp)										
PSM8-2/1	0.75	1	56C	H (m)	13	12	11.5	11	10.5	10	9.5	9
PSM8-2	1.5	2	56C		27	26	25	24	23	22	20	18
PSM8-3	2.2	3	182TC		41	40	38	37	35	33	30	28
PSM8-4	3.7	5	184TC		55	54	52	50	47	45	41	38
PSM8-5	3.7	5	184TC		70	68	65	63	59	56	52	47
PSM8-6	3.7	5	184TC		85	82	78	76	72	68	62	57
PSM8-8	5.5	7.5	213TC		115	110	105	101	97	91	84	75
PSM8-10	7.5	10	215TC		145	140	132	126	122	115	105	95
PSM8-12	7.5	10	215TC		173	167	160	152	147	132	125	115
PSM8-14	11	15	254TC		202	195	188	179	174	163	147	135

● Installation sketch



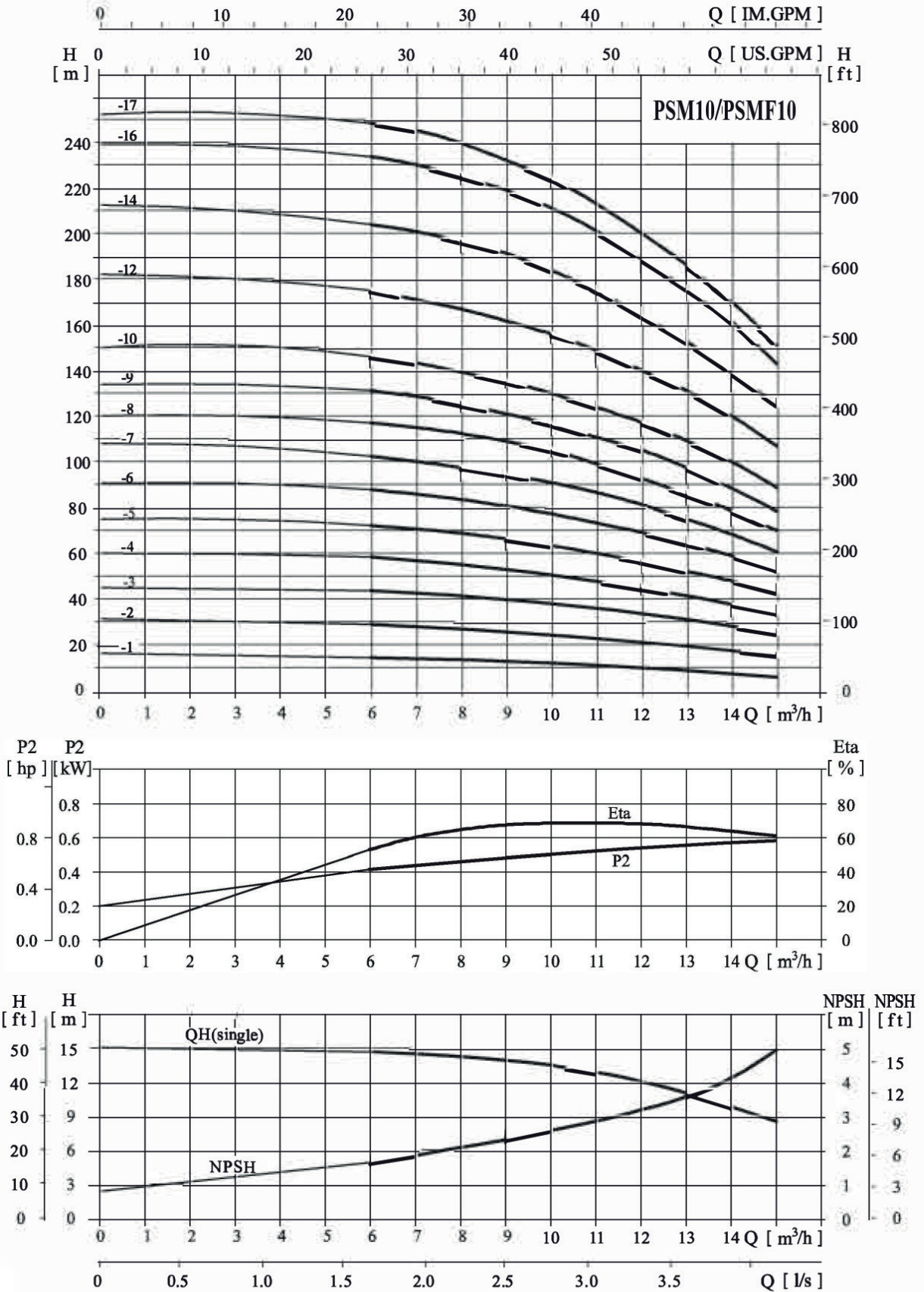
● Size and weight

Model	Size (in)		Weight (lbs)
	B1	B2	
PSM8-2/1	14 $\frac{4}{9}$	6 $\frac{1}{2}$	57
PSM8-2	14 $\frac{4}{9}$	6 $\frac{1}{2}$	57
PSM8-3	16 $\frac{1}{16}$	8 $\frac{7}{8}$	65
PSM8-4	17 $\frac{1}{4}$	8 $\frac{7}{8}$	66
PSM8-5	18 $\frac{3}{7}$	8 $\frac{7}{8}$	67
PSM8-6	19 $\frac{3}{5}$	8 $\frac{7}{8}$	68
PSM8-8	22 $\frac{11}{25}$	8 $\frac{7}{8}$	82
PSM8-10	24 $\frac{4}{5}$	8 $\frac{7}{8}$	84
PSM8-12	27 $\frac{1}{6}$	8 $\frac{7}{8}$	86
PSM8-14	32 $\frac{13}{25}$	8 $\frac{7}{8}$	95

24 PSM/PSMF10 60

● Performance curve

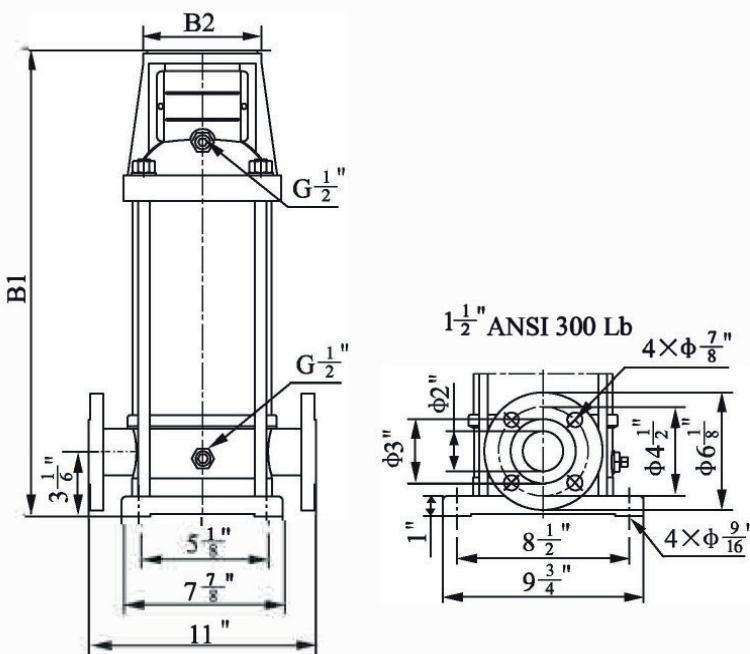
ISO9906 Annex A



● Performance table

Model	Driving motor		Frame	Q (m ³ /h)	6	7	8	9	10	11	12	13	14	15
	(kW)	(hp)												
PSM10-1	0.75	1	56C	H (m)	14	13.5	13	12.5	12	11	10	9	7	6
PSM10-2	1.5	2	56C		29	28	27	26	25	23	22	19	18	16
PSM10-3	2.2	3	182TC		43	42	41	39	38	36	34	31	28	25
PSM10-4	3.7	4	184TC		58	57	55	53	51	48	45	41	38	34
PSM10-5	3.7	4	184TC		72	71	69	66	64	61	57	52	48	43
PSM10-6	3.7	4	184TC		87	86	83	80	77	74	69	64	59	52
PSM10-7	5.5	7.5	213TC		102	100	97	94	90	87	81	75	69	61
PSM10-8	5.5	7.5	213TC		117	114	110	108	103	99	93	86	79	70
PSM10-9	5.5	7.5	213TC		131	128	125	121	116	111	105	98	90	79
PSM10-10	7.5	10	215TC		146	143	139	135	129	123	117	109	100	89
PSM10-11	7.5	10	215TC		160	157	153	149	142	136	128	120	110	98
PSM10-12	7.5	10	215TC		175	172	167	163	156	149	140	131	120	107
PSM10-13	11	15	254TC		186	185	182	178	169	162	153	142	130	116
PSM10-14	11	15	254TC		204	201	196	191	183	175	164	153	140	125
PSM10-15	11	15	254TC		218	216	210	205	196	187	176	164	150	134
PSM10-16	11	15	254TC		233	230	224	219	210	200	188	176	160	143
PSM10-17	11	15	254TC		248	245	239	233	224	213	200	186	170	152

● Installation sketch



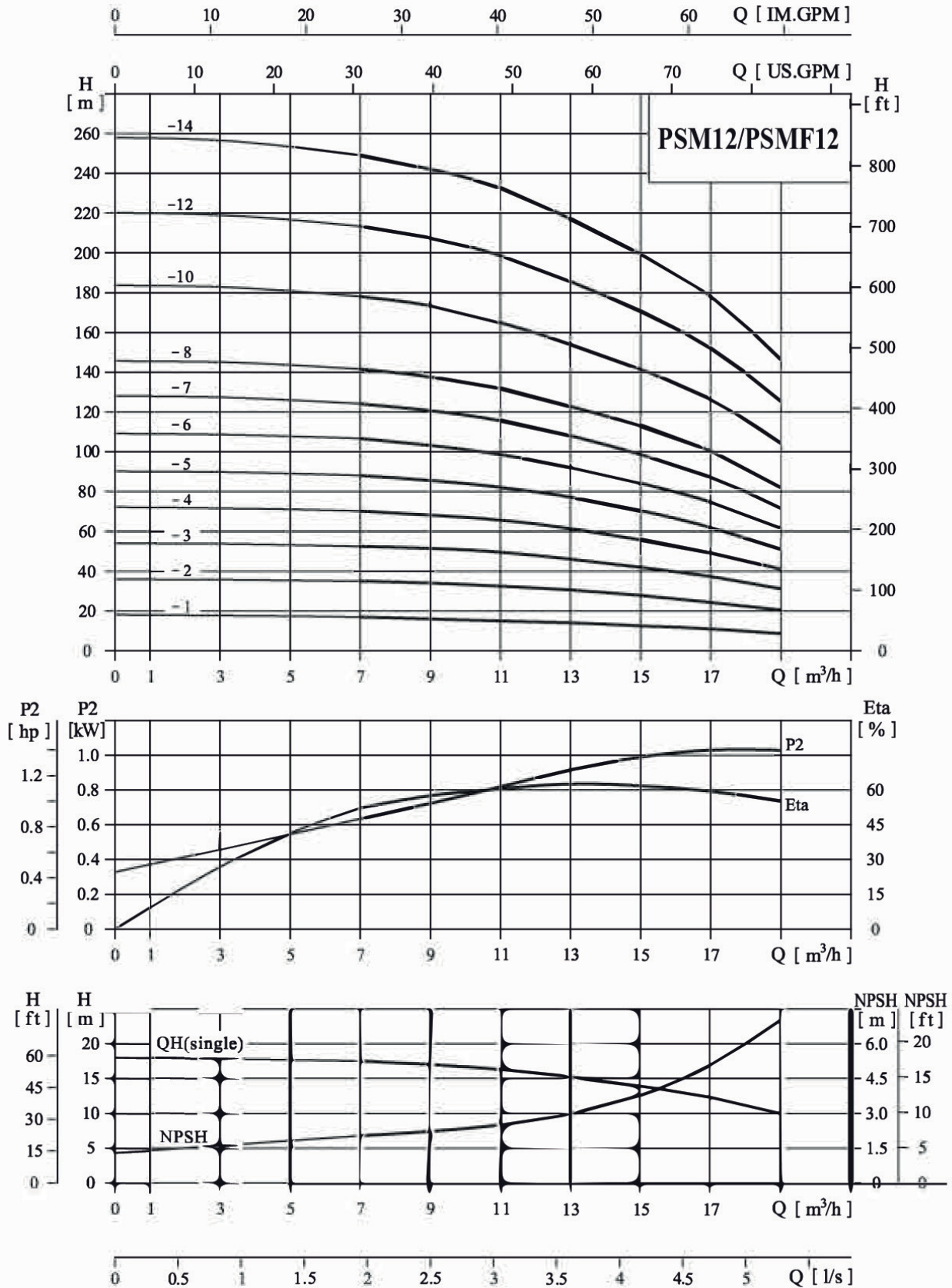
● Size and weight

Model	Size (in)		Weight (lbs)
	B1	B2	
PSM10-1	14 ⁷ / ₁₆	6 ¹ / ₂	71
PSM10-2	14 ¹ / ₂	6 ¹ / ₂	73
PSM10-3	15 ⁵ / ₈	8 ⁷ / ₈	82
PSM10-4	16 ⁷ / ₈	8 ⁷ / ₈	86
PSM10-5	18 ¹ / ₄	8 ⁷ / ₈	89
PSM10-6	18 ¹ / ₄	8 ⁷ / ₈	93
PSM10-7	20 ³ / ₈	8 ⁷ / ₈	113
PSM10-8	21 ⁵ / ₈	8 ⁷ / ₈	115
PSM10-9	22 ¹³ / ₁₆	8 ⁷ / ₈	117
PSM10-10	24 ¹ / ₈	8 ⁷ / ₈	115
PSM10-11	25 ³ / ₁₆	8 ⁷ / ₈	117
PSM10-12	26 ³ / ₈	8 ⁷ / ₈	120
PSM10-13	27 ⁷ / ₈	8 ⁷ / ₈	104
PSM10-14	29 ¹ / ₁₆	8 ⁷ / ₈	106
PSM10-15	30 ¹ / ₄	8 ⁷ / ₈	109
PSM10-16	31 ⁷ / ₁₆	8 ⁷ / ₈	111
PSM10-17	32 ⁵ / ₈	8 ⁷ / ₈	113

26 PSM/PSMF12 60

● Performance curve

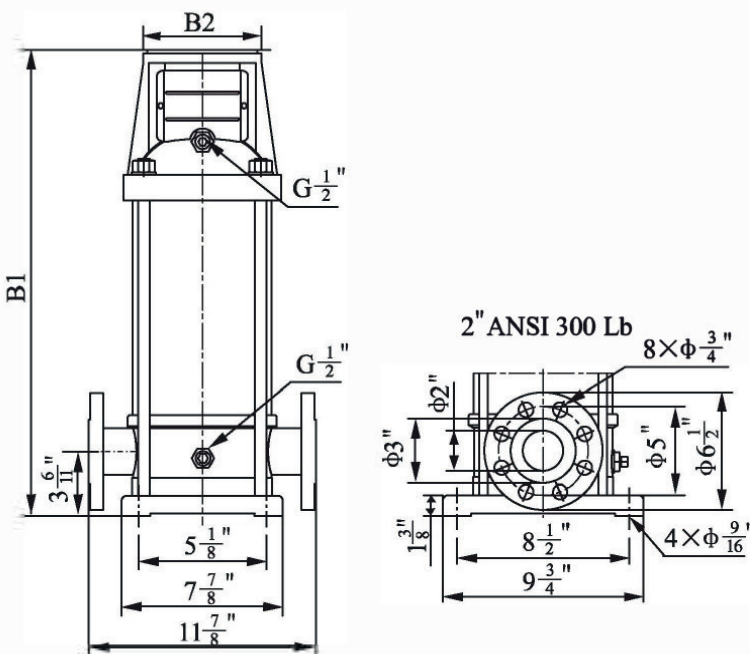
ISO9906 Annex A



● Performance table

Model	Driving motor		Frame	Q (m ³ /h)	7	9	11	12	13	15	17	19
	(kW)	(hp)										
PSM12-1	1.1	1.5	56C	H (m)	17	16	15	14.5	14	12.5	11	8.5
PSM12-2	2.2	3	182TC		35	34	32.5	32	30.5	27	24.5	20.5
PSM12-3	3.7	5	184TC		52.5	51.5	50	48	46	41.5	37.5	31
PSM12-4	5.5	7.5	213TC		70	68	65.5	64	61.5	55	49.5	41
PSM12-5	5.5	7.5	213TC		88	86	82	80	77	70	62	51
PSM12-6	7.5	10	215TC		107	103	99	96	92	84	75	61
PSM12-7	7.5	10	215TC		124	121	116	112	107	97	88	71
PSM12-8	11	15	254TC		141	137	132	128	122	111	101	82
PSM12-9	11	15	254TC		160.6	155	147.5	143	138	126	110	93
PSM12-10	11	15	254TC		178	173	166	161	153	140	128	104
PSM12-11	15	20	256TC		195.5	189.5	181.5	176	170	155	136	114.5
PSM12-12	15	20	256TC		213	208	199	193	185	169	154	125
PSM12-13	15	20	256TC		231	224.5	215	208.5	201	183.5	162	135
PSM12-14	15	20	256TC		249	242	233	225	216	198	180	145

● Installation sketch



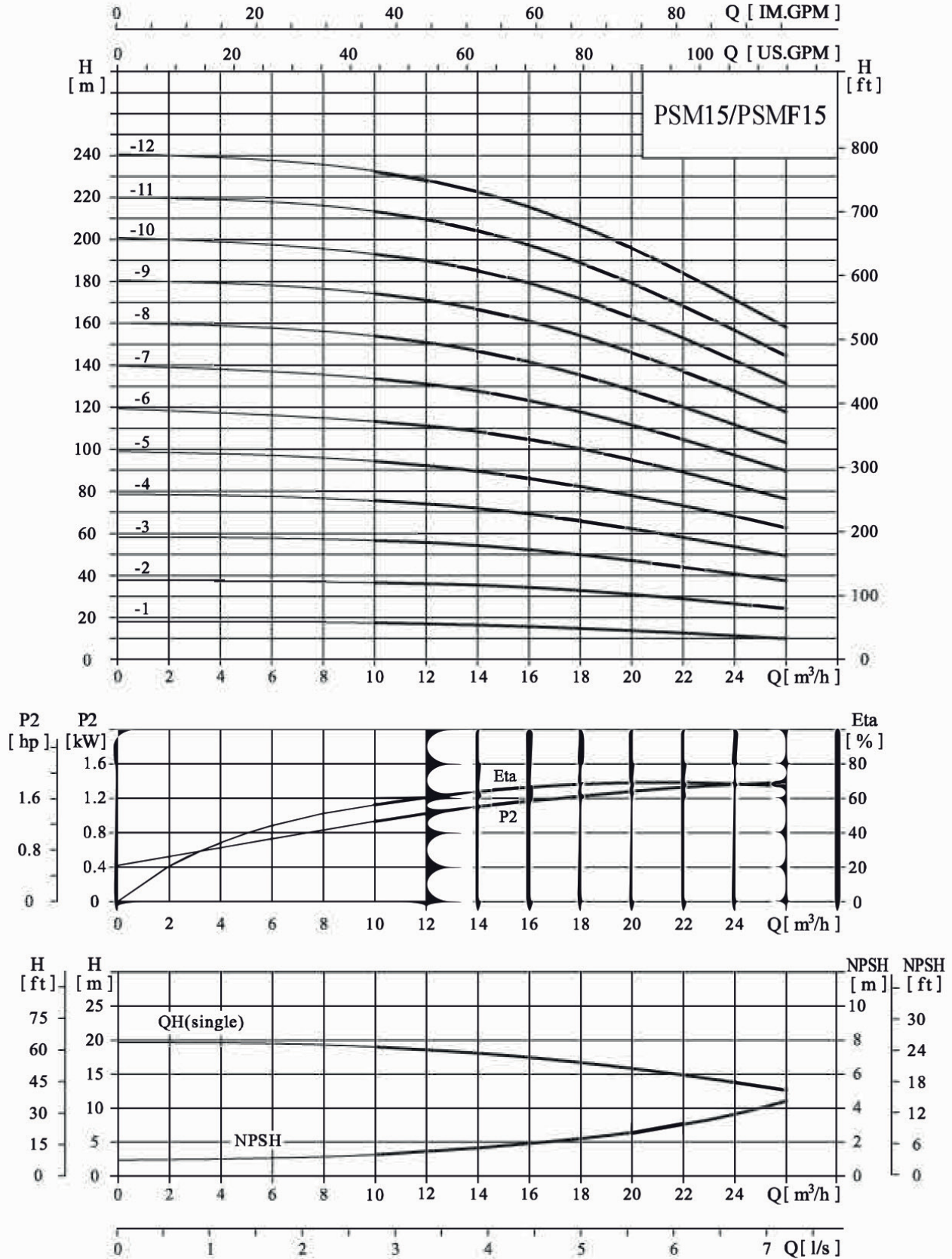
● Size and weight

Model	Size (in)		Weight (lbs)
	B1	B2	
PSM12-1	14 ¹³ / ₁₆	6 ¹ / ₂	53
PSM12-2	15 ¹ / ₄	8 ⁷ / ₈	60
PSM12-3	16 ⁷ / ₁₆	8 ⁷ / ₈	62
PSM12-4	18 ¹ / ₈	8 ⁷ / ₈	62
PSM12-5	19 ¹ / ₄	8 ⁷ / ₈	67
PSM12-6	20 ⁷ / ₁₆	8 ⁷ / ₈	69
PSM12-7	21 ⁵ / ₈	8 ⁷ / ₈	71
PSM12-8	25 ¹³ / ₁₆	8 ⁷ / ₈	84
PSM12-9	27 ¹ / ₁₆	8 ⁷ / ₈	93
PSM12-10	28 ¹ / ₄	8 ⁷ / ₈	93
PSM12-11	27 ³ / ₈	8 ⁷ / ₈	100
PSM12-12	30 ⁹ / ₁₆	8 ⁷ / ₈	100
PSM12-13	31 ³ / ₄	8 ⁷ / ₈	106
PSM12-14	32 ⁸ / ₉	8 ⁷ / ₈	106

28 PSM/PSMF15 60 Hz

● Performance curve

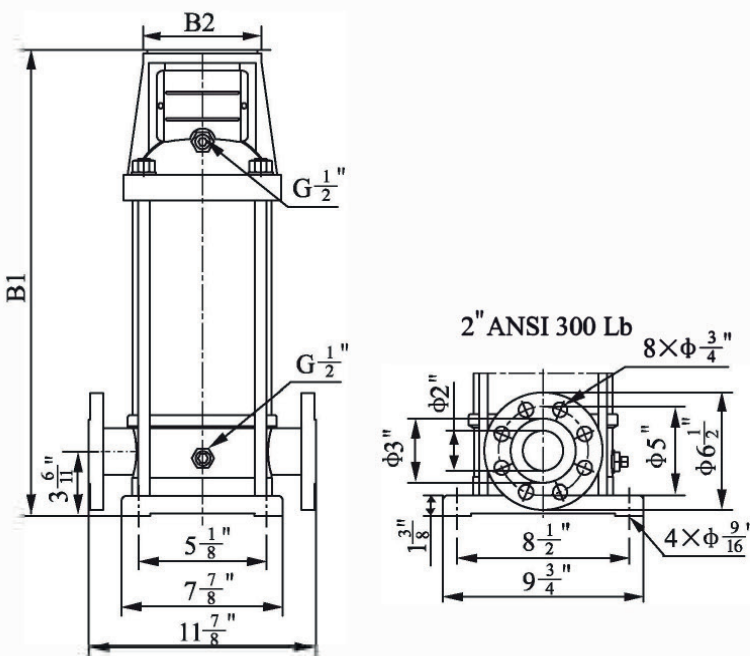
ISO9906 Annex A



● Performance table

Model	Driving motor		Frame	Q (m ³ /h)	H (m)									
	(kW)	(hp)			10	12	14	15	16	18	20	22	24	26
PSM 15-1	1.5	2	56C		17.5	17	16.5	16	15.5	15	14	12.5	11	9.5
PSM 15-2	3.7	5	184TC		36.5	36	35.5	35	34.5	33	31	29	27	24
PSM 15-3	5.5	7.5	213TC		56	55	54	53	52	50	47	44	41	37
PSM 15-4	5.5	7.5	213TC		75	74	72	71	69	66	62	58	54	49
PSM 15-5	7.5	10	215TC		94	92	90	88	87	83	79	74	68	62
PSM 15-6	11	15	254TC		113	111	108	107	105	101	95	89	83	76
PSM 15-7	11	15	254TC		134	131	128	126	124	118	112	105	98	90
PSM 15-8	11	15	254TC		154	151	147	144	142	136	129	121	112	103
PSM 15-9	15	20	256TC		174	171	167	164	161	155	147	138	128	118
PSM 15-10	15	20	256TC		193	190	186	182	180	172	163	154	143	131
PSM 15-11	18.5	25	284TSC		213	209	204	201	198	190	181	169	158	145
PSM 15-12	18.5	25	284TSC		232	228	223	219	216	207	197	185	172	158

● Installation sketch



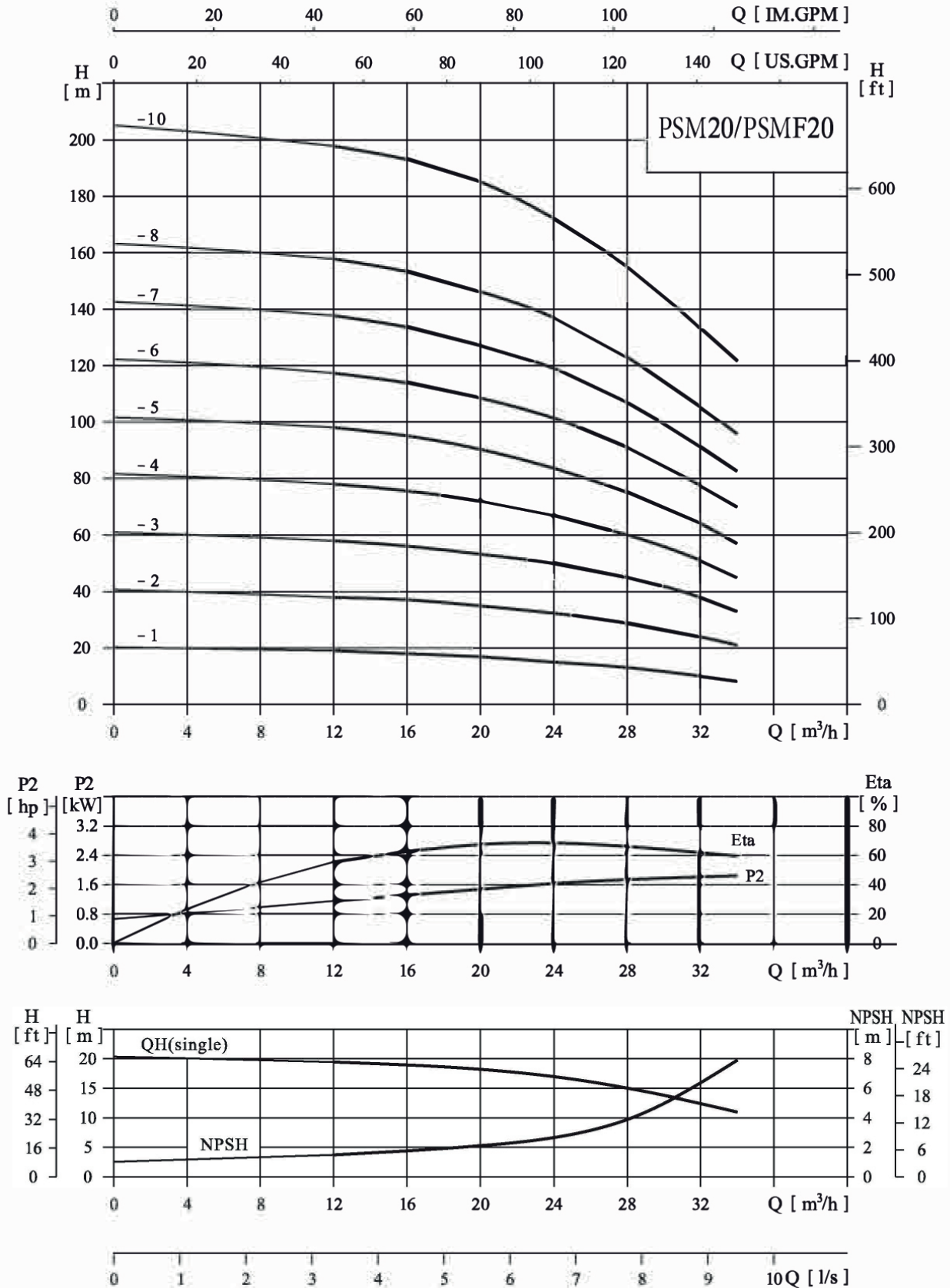
● Size and weight

Model	Size (in)		Weight (lbs)
	B1	B2	
PSM 15-1	16 $\frac{1}{16}$	6 $\frac{1}{2}$	56
PSM 15-2	16 $\frac{7}{16}$	8 $\frac{7}{8}$	62
PSM 15-3	18 $\frac{11}{16}$	8 $\frac{7}{8}$	69
PSM 15-4	20 $\frac{7}{16}$	8 $\frac{7}{8}$	67
PSM 15-5	22 $\frac{1}{4}$	8 $\frac{7}{8}$	78
PSM 15-6	27 $\frac{1}{16}$	8 $\frac{7}{8}$	91
PSM 15-7	28 $\frac{13}{16}$	8 $\frac{7}{8}$	95
PSM 15-8	30 $\frac{9}{16}$	8 $\frac{7}{8}$	98
PSM 15-9	32 $\frac{5}{16}$	8 $\frac{7}{8}$	102
PSM 15-10	34 $\frac{1}{8}$	8 $\frac{7}{8}$	106
PSM 15-11	35 $\frac{1}{8}$	11	111
PSM 15-12	36 $\frac{8}{9}$	11	115

30 PSM/PSMF20 60 Hz

● Performance curve

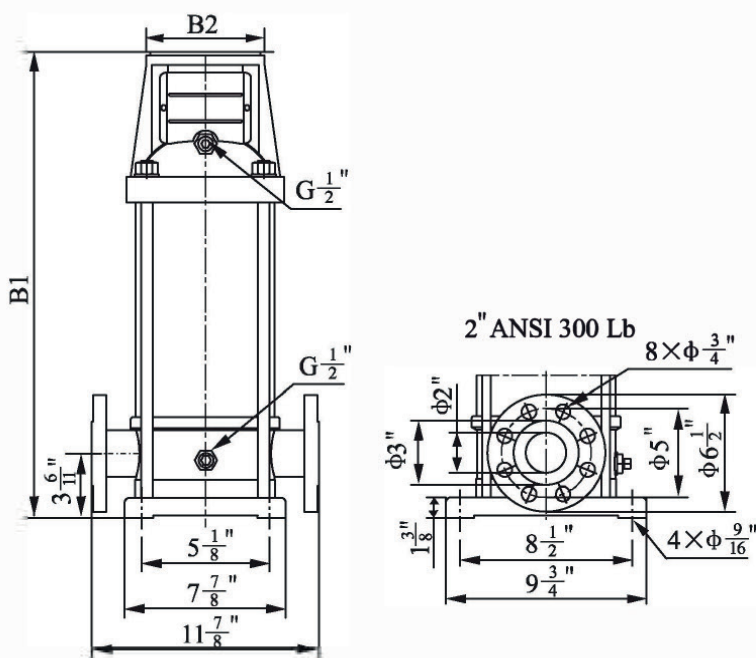
ISO9906 Annex A



● Performance table

Model	Driving motor		Frame	Q (m ³ /h)	12	16	20	24	28	32	34
	(kW)	(hp)									
PSM 20-1	2.2	3	182TC	H (m)	19	18	17	15	13	10	8.5
PSM 20-2	3.7	5	184TC		38	37	35	32	29	24	21
PSM 20-3	5.5	7.5	213TC		58	56	53	50	45	38	33
PSM 20-4	7.5	10	215TC		78	75	72	67	60	51	45
PSM 20-5	11	15	254TC		98	94	90	85	75	64	57
PSM 20-6	11	15	254TC		118	113	108	102	91	77	70
PSM 20-7	15	20	256TC		138	133	127	119	107	91	83
PSM 20-8	15	20	256TC		158	153	146	137	123	105	96
PSM 20-10	18.5	25	284TSC		198	193	185	172	155	133	122

● Installation sketch



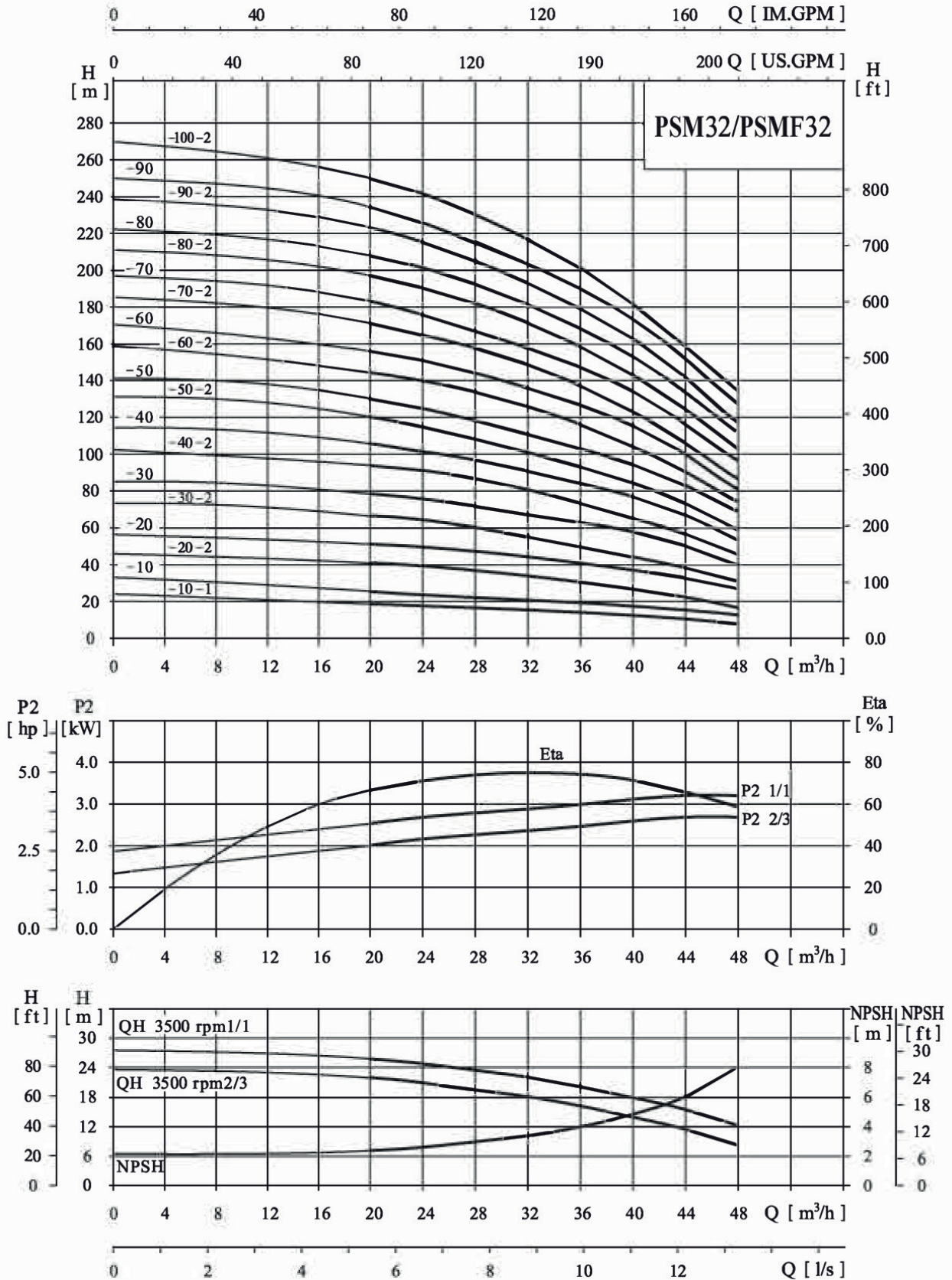
● Size and weight

Model	Size (in)		Weight (lbs)
	B1	B2	
PSM 20-1	16 $\frac{11}{24}$	8 $\frac{7}{8}$	73
PSM 20-2	16 $\frac{11}{24}$	8 $\frac{7}{8}$	73
PSM 20-3	18 $\frac{7}{10}$	8 $\frac{7}{8}$	75
PSM 20-4	20 $\frac{4}{9}$	8 $\frac{7}{8}$	77
PSM 20-5	25 $\frac{4}{17}$	8 $\frac{7}{8}$	86
PSM 20-6	27	8 $\frac{7}{8}$	88
PSM 20-7	28 $\frac{15}{19}$	8 $\frac{7}{8}$	90
PSM 20-8	30 $\frac{5}{9}$	8 $\frac{7}{8}$	95
PSM 20-10	33 $\frac{9}{26}$	11 $\frac{1}{32}$	104

32 PSM/PSMF32 60 Hz

● Performance curve

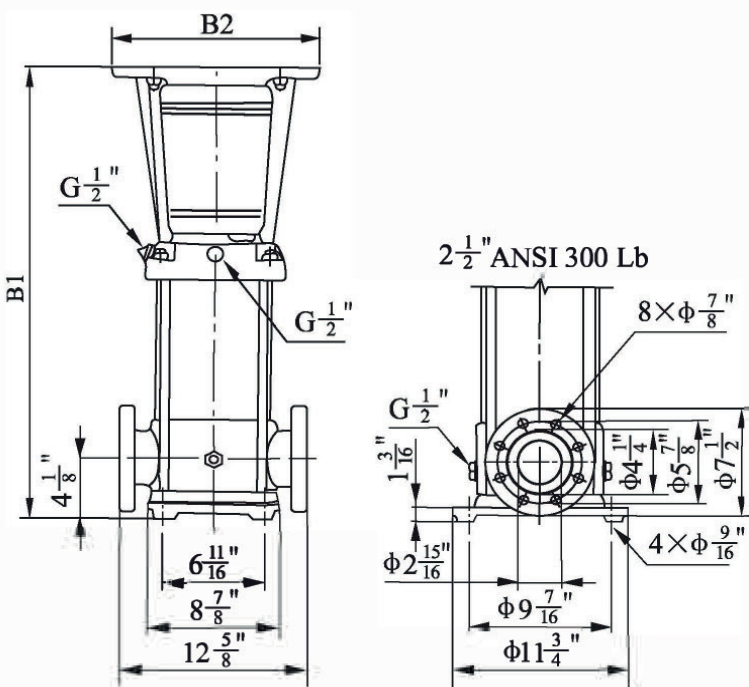
ISO9906 Annex A



● Performance table

Model	Driving motor		Frame	Q (m ³ /h)	20	24	28	32	36	40	44	48
	(kW)	(hp)										
PSM32-10-1	2.2	3	182TC	H (m)	20	19	18	17	15	13	10	7
PSM32-10	3.7	5	184TC		26	25	24	23	21	19	17	14
PSM32-20-2	5.5	7.5	213TC		41	40	38	35	31	27	22	17
PSM32-20	7.5	10	215TC		52	50	48	45	41	37	33	27
PSM32-30-2	7.5	10	215TC		67	64	61	57	52	46	39	31
PSM32-30	11	15	254TC		78	75	71	67	62	56	50	40
PSM32-40-2	11	15	254TC		94	91	87	81	73	65	56	45
PSM32-40	15	20	256TC		104	101	96	91	83	75	66	55
PSM32-50-2	15	20	256TC		119	115	109	102	94	84	73	59
PSM32-50	15	20	256TC		130	125	119	112	104	94	83	69
PSM32-60-2	18.5	25	284TSC		145	140	134	126	116	104	90	74
PSM32-60	18.5	25	284TSC		155	150	144	136	126	114	100	81
PSM32-70-2	22	30	286TSC		172	166	158	149	137	123	106	86
PSM32-70	22	30	286TSC		182	176	168	159	148	133	118	97
PSM32-80-2	22	30	286TSC		196	190	182	172	159	143	124	102
PSM32-80	30	40	324TSC		208	201	192	181	167	152	132	111
PSM32-90-2	30	40	324TSC		223	216	206	194	179	162	142	117
PSM32-90	30	40	324TSC		234	226	216	204	189	172	152	127
PSM32-100-2	30	40	324TSC		248	241	231	217	201	181	159	133

● Installation sketch



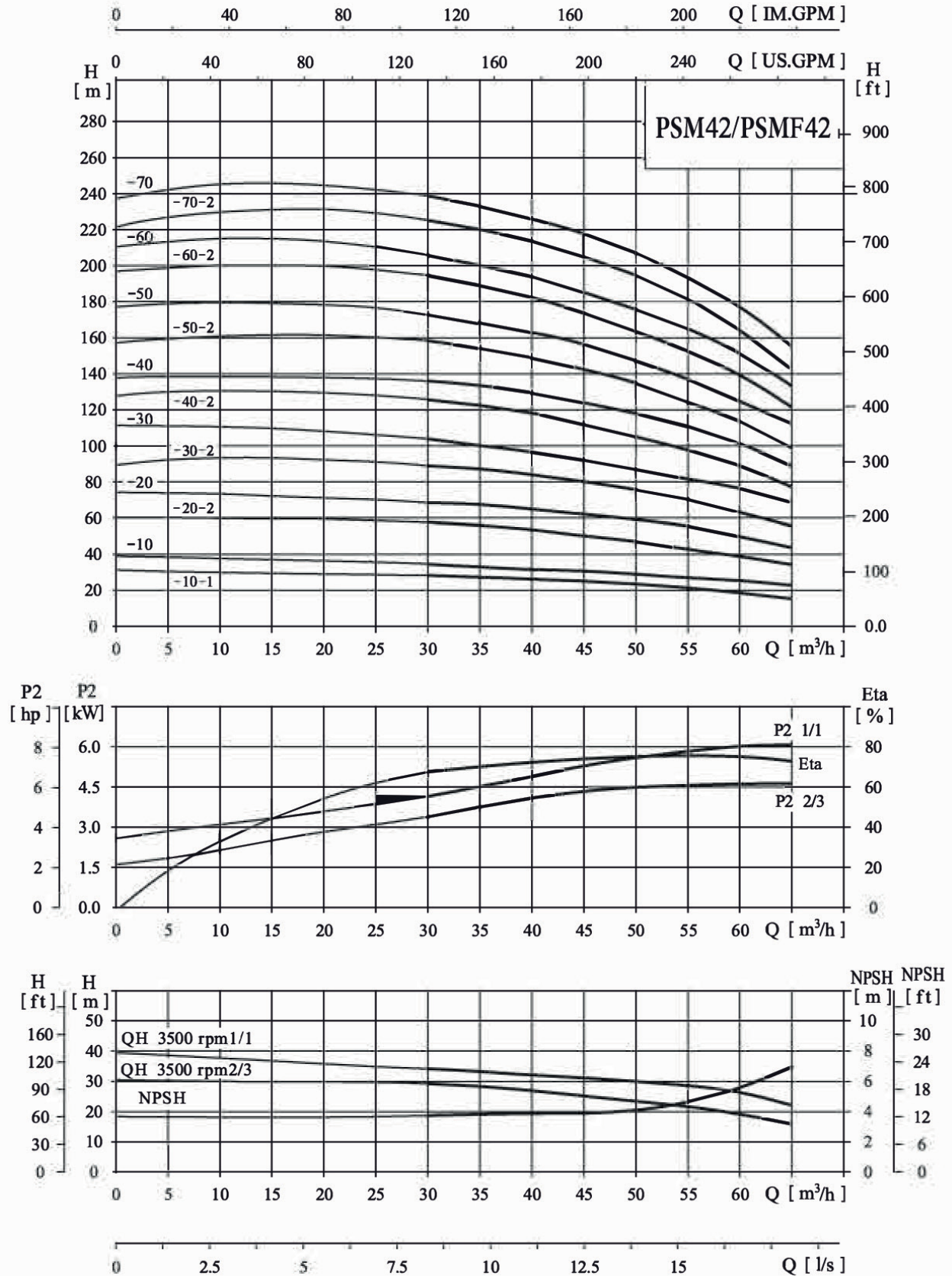
● Size and weight

Model	Size (in)		Weight (lbs)
	B1	B2	
PSM32-10-1	20 ³ / ₂₅	8 ⁷ / ₈	93
PSM32-10	20 ³ / ₂₅	8 ⁷ / ₈	93
PSM32-20-2	22 ⁷ / ₈	8 ⁷ / ₈	101
PSM32-20	22 ⁷ / ₈	8 ⁷ / ₈	101
PSM32-30-2	25 ⁵ / ₈	8 ⁷ / ₈	110
PSM32-30	29 ² / ₁₅	8 ⁷ / ₈	128
PSM32-40-2	31 ⁸ / ₉	8 ⁷ / ₈	137
PSM32-40	31 ⁸ / ₉	8 ⁷ / ₈	137
PSM32-50-2	34 ⁹ / ₁₄	8 ⁷ / ₈	146
PSM32-50	34 ⁹ / ₁₄	8 ⁷ / ₈	139
PSM32-60-2	33 ⁶ / ₇	11 ¹ / ₃₂	148
PSM32-60	33 ⁶ / ₇	11 ¹ / ₃₂	148
PSM32-70-2	37 ³ / ₈	11 ¹ / ₃₂	157
PSM32-70	37 ³ / ₈	11 ¹ / ₃₂	157
PSM32-80-2	42 ¹ / ₈	11 ¹ / ₃₂	165
PSM32-80	42 ¹¹ / ₁₂	13 ⁷ / ₁₂	179
PSM32-90-2	42 ¹¹ / ₁₂	13 ⁷ / ₁₂	187
PSM32-90	42 ¹¹ / ₁₂	13 ⁷ / ₁₂	187
PSM32-100-2	48 ³ / ₇	13 ⁷ / ₁₂	196

34 PSM/PSMF42 60 Hz

● Performance curve

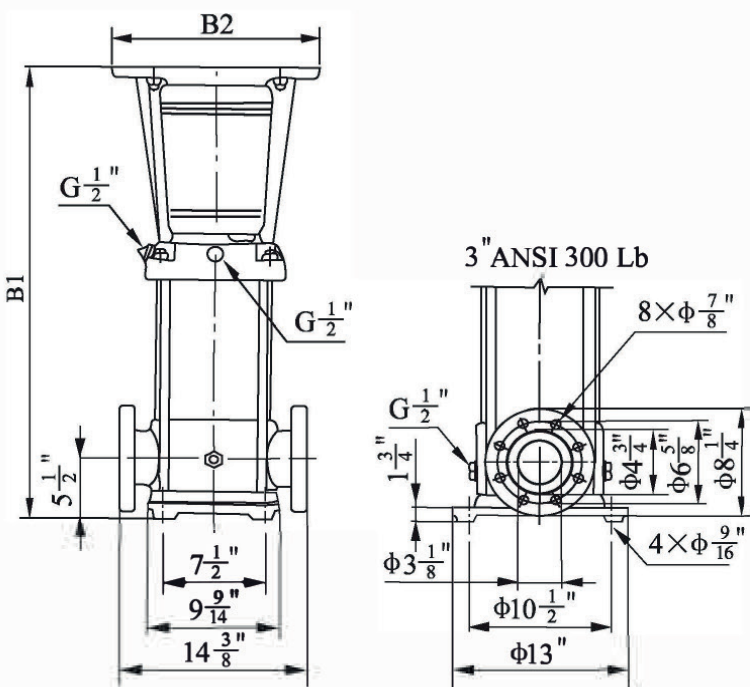
ISO9906 Annex A



● Performance table

Model	Driving motor		Frame	Q (m ³ /h)	30	35	40	42	45	50	55	60	65
	(kW)	(hp)											
PSM42-10-1	5.5	7.5	213TC	H (m)	29	28	27	26	25	23	21	19	16
PSM42-10	7.5	10	215TC		34	33	32	31.5	30	29	27	25	22
PSM42-20-2	11	15	254TC		57	55	53	52	49	46	43	38	33
PSM42-20	15	20	256TC		69	67	65	63	61	59	55	50	44
PSM42-30-2	18.5	25	284TSC		90	88	85	83	80	75	72	63	55
PSM42-30	18.5	25	284TSC		102	100	97	95	92	88	82	76	68
PSM42-40-2	22	30	286TSC		125	121	118	115	112	105	98	89	78
PSM42-40	30	40	324TSC		136	133	129	126	123	117	112	102	89
PSM42-50-2	30	40	324TSC		159	154	149	146	142	134	121	115	99
PSM42-50	30	40	324TSC		171	166	161	158	154	145	138	126	112
PSM42-60-2	37	50	326TSC		194	188	182	178	173	163	155	139	122
PSM42-60	37	50	326TSC		205	200	193	190	186	176	166	152	134
PSM42-70-2	45	60	364TSC		227	220	213	210	205	193	182	165	144
PSM42-70	45	60	364TSC		239	232	226	221	216	204	194	178	157

● Installation sketch



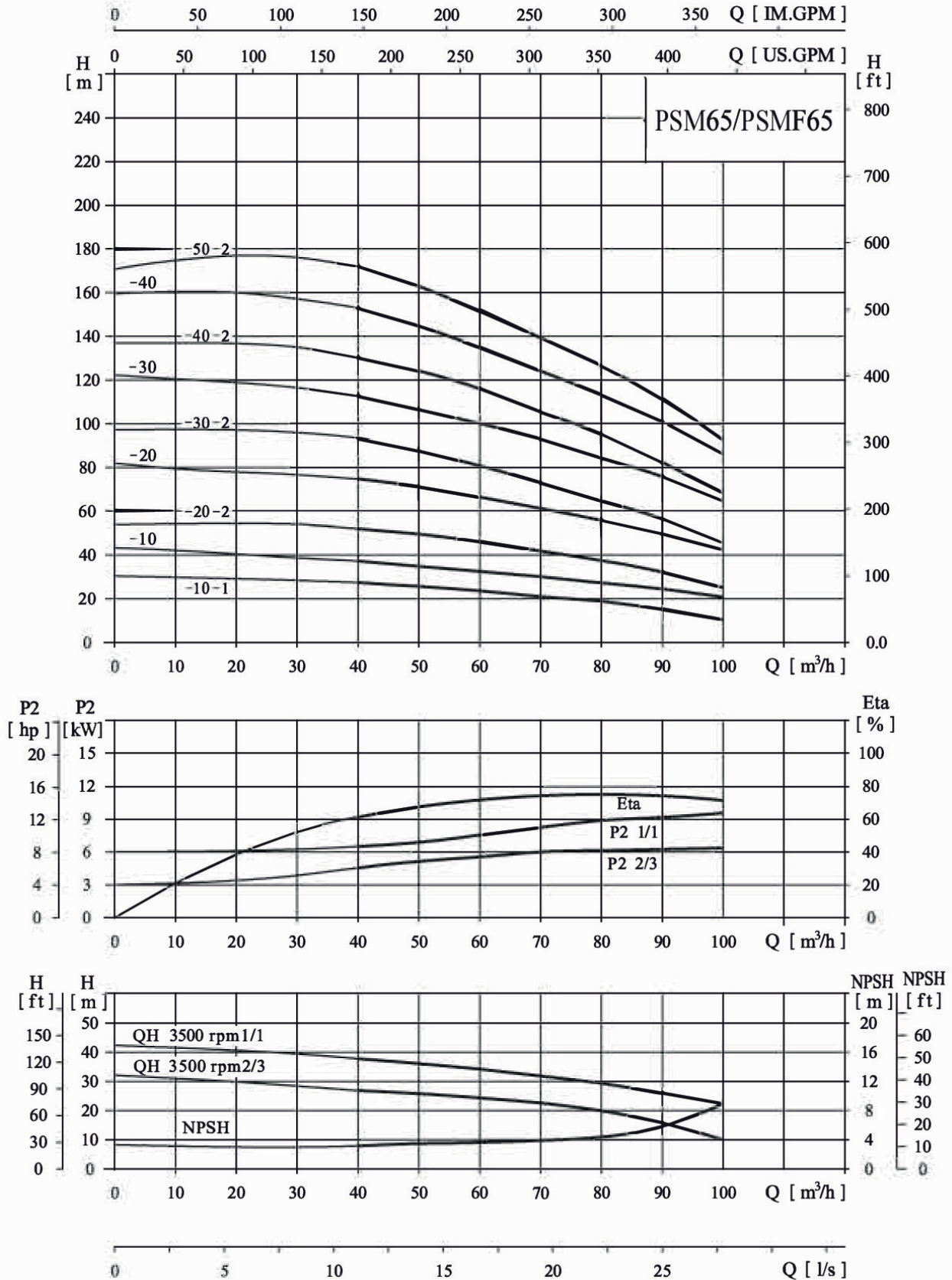
● Size and weight

Model	Size (in)		Weight (lbs)
	B1	B2	
PSM42-10-1	22 ⁸ / ₂₅	8 ⁷ / ₈	137
PSM42-10	22 ⁸ / ₂₅	8 ⁷ / ₈	137
PSM42-20-2	29 ¹ / ₂₀	8 ⁷ / ₈	163
PSM42-20	29 ¹ / ₂₀	8 ⁷ / ₈	163
PSM42-30-2	31 ² / ₅	11 ¹ / ₃₂	165
PSM42-30	31 ² / ₅	11 ¹ / ₃₂	165
PSM42-40-2	34 ⁹ / ₁₆	11 ¹ / ₃₂	174
PSM42-40	35 ⁵ / ₁₄	13 ⁷ / ₁₂	190
PSM42-50-2	38 ¹ / ₂	13 ⁷ / ₁₂	198
PSM42-50	38 ¹ / ₂	13 ⁷ / ₁₂	198
PSM42-60-2	41 ² / ₃	13 ⁷ / ₁₂	207
PSM42-60	41 ² / ₃	13 ⁷ / ₁₂	207
PSM42-70-2	44 ² / ₅	15 ¹¹ / ₂₀	234
PSM42-70	44 ² / ₅	15 ¹¹ / ₂₀	234

36 PSM/PSMF65 60 Hz

● Performance curve

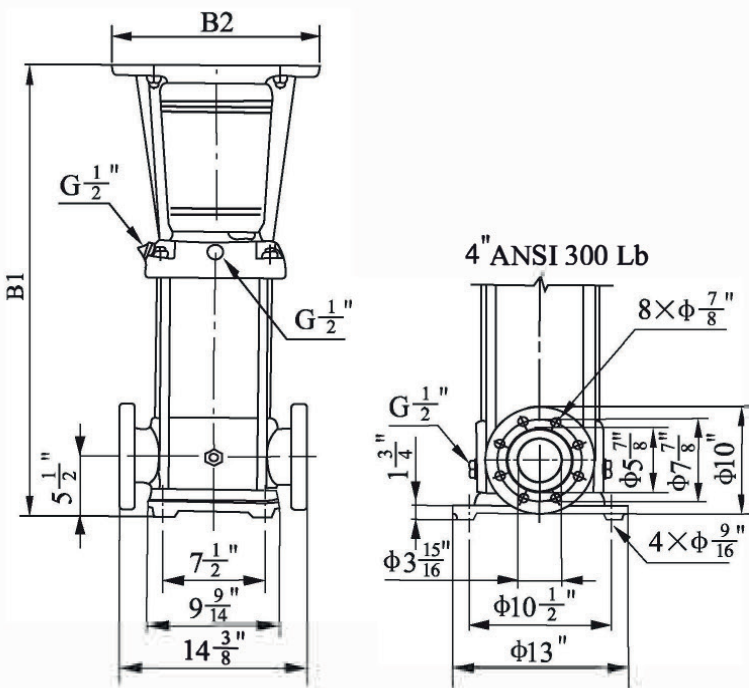
ISO9906 Annex A



● Performance table

Model	Driving motor		Frame	Q (m ³ /h)	40	50	60	65	70	80	90	100
	(kW)	(hp)			H (m)							
PSM65-10-1	7.5	10	215TC		26	25	23	22	21	18	14	10
PSM65-10	11	15	254TC		37	35	33	32	31	28	24	21
PSM65-20-2	15	20	256TC		53	50	47	44	42	37	31	23
PSM65-20	22	30	286TSC		74	72	67	64	62	57	51	42
PSM65-30-2	22	30	286TSC		93	88	80	76	72	65	56	45
PSM65-30	30	40	324TSC		112	108	100	96	93	86	77	65
PSM65-40-2	30	40	324TSC		130	124	115	110	103	94	83	66
PSM65-40	37	50	326TSC		152	144	135	130	123	114	102	86
PSM65-50-2	45	60	364TSC		172	162	151	144	137	126	112	91

● Installation sketch



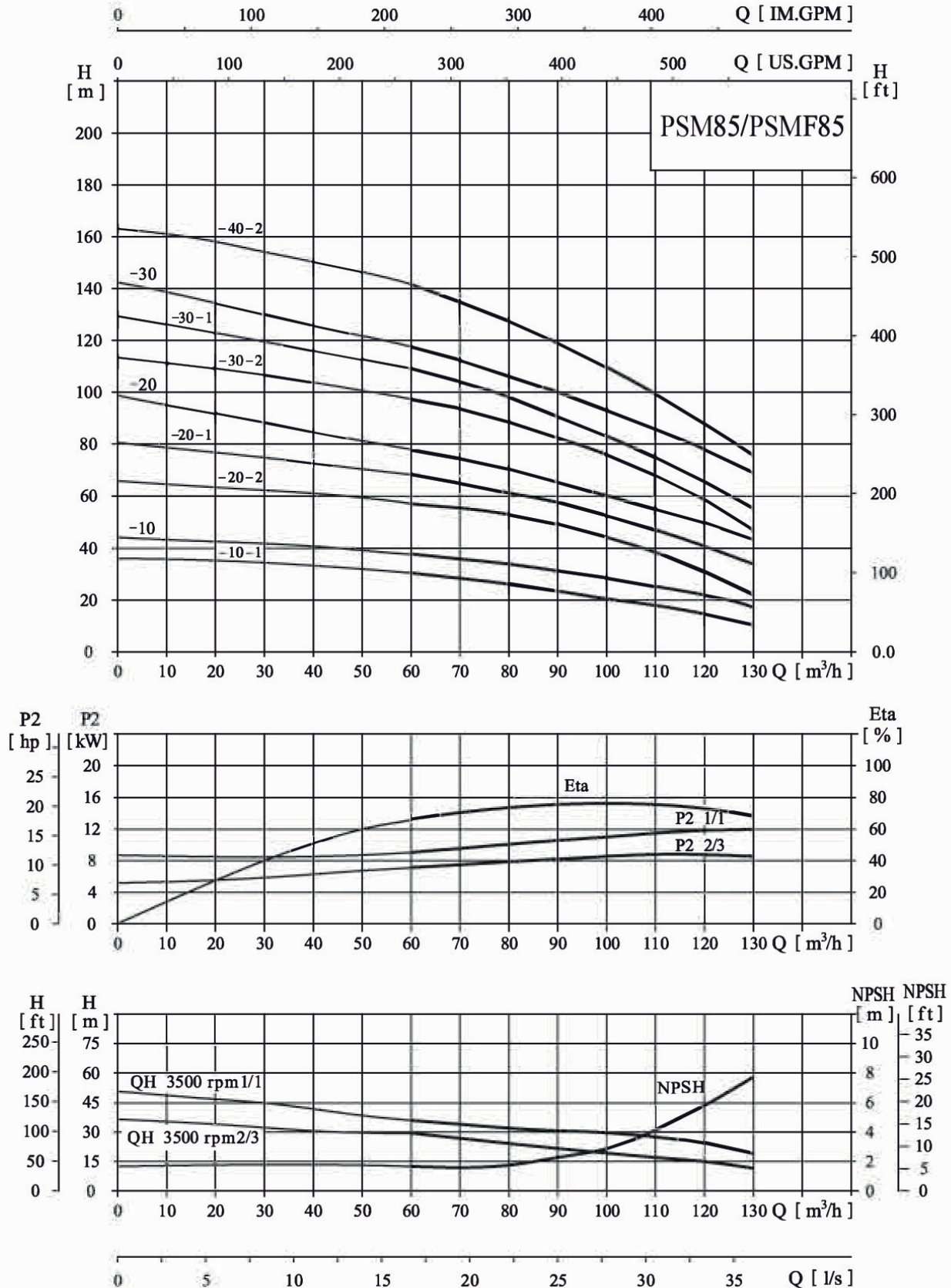
● Size and weight

Model	Size (in)		Weight (lbs)
	B1	B2	
PSM65-10-1	22 ⁸ / ₂₅	8 ⁷ / ₈	139
PSM65-10	26 ¹ / ₄₂	8 ⁷ / ₈	157
PSM65-20-2	29 ⁵ / ₁₇	8 ⁷ / ₈	168
PSM65-20	28 ¹ / ₂	11 ¹ / ₃₂	161
PSM65-30-2	31 ¹¹ / ₁₅	11 ¹ / ₃₂	172
PSM65-30	32 ¹ / ₂	13 ⁷ / ₁₂	187
PSM65-40-2	35 ¹⁰ / ₁₃	13 ⁷ / ₁₂	198
PSM65-40	35 ¹⁵ / ₁₉	13 ⁷ / ₁₂	214
PSM65-50-2	38 ⁵ / ₈	15 ¹¹ / ₂₀	225

38 PSM/PSMF85 60 Hz

● Performance curve

ISO9906 Annex A



We are proud supplier for the following completed and on going projects :



Zermatt Lodge
Salt Lake City, UT, U.S.A.
<https://zermattresort.com>



Pier 17 South Street Seaport
South Street, New York, U.S.A
www.southstreetseaport.com



Pearl-Qatar
Doha, Qatar
www.thepearlqatar.com



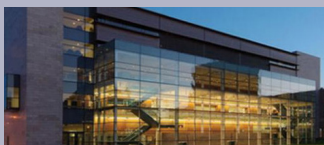
Museum of Science and Industry
Tampa, Florida
www.mosi.org
Eng: Advance System Engineering



Exchange Tower
Vancouver, B.C., Canada
www.theexchangebuilding.ca



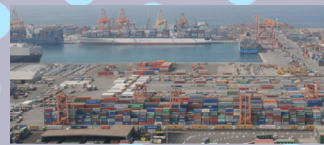
Dar El Salam General Hospital
Cairo Governorate, Egypt



Brock University Center
St. Catharines, Ontario, Canada
<https://www.brocku.ca>



520 Park Avenue
New York, U.S.A
www.520parkavenue.com



Saudi Jeddah
Jeddah Saudi, Arabia
www.ports.gov.sa



St-Joseph Women's Hospital
Tampa, Florida
www.sjbhealth.org
Eng: Smith, Seckman, Reid Engineering



Millenium Hilton
New-York City, NY, U.S.A
www.hilton.com



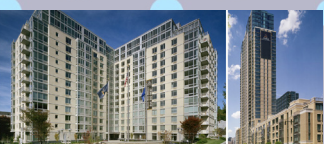
Le M Lorraine
Lorraine, Quebec, Canada
www.lemlorraine.com



Morton Plant North Bay Hospital
New Port Richey, Florida
www.mortonplant.com
Eng: IC Thomasson Association Incorporated



Lowney
Montréal, Quebec, Canada
<http://lelowney.prevel.ca>



Sheepshead Residential Tower
Brooklyn, New York City, U.S.A.
<http://www.sheepsheadbites.com>

Sales & Service:

Quebec, Canada
Tel.: (450) 621-2995
Fax: (450) 621-4995

SERVICE 24/7:
parts@flobab.com

www.flobab.com

