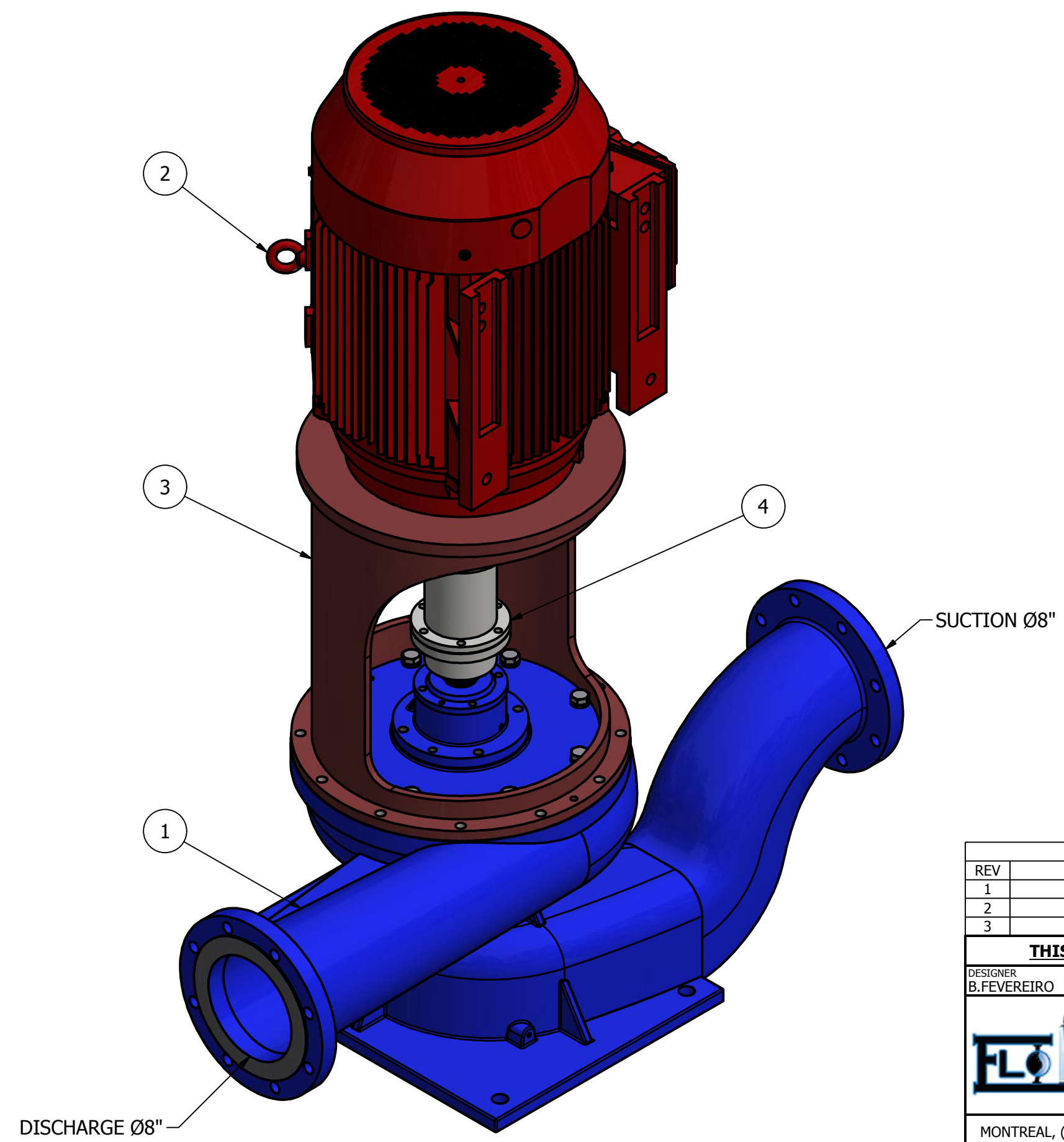


PARTS LIST		
ITEM	ITEM QTY	DESCRIPTION
1	1	PUMP - XRI-8X8-14.8
2	1	MOTOR - 100HP 1750RPM 404TC
3	1	BRACKET
4	1	RIGID COUPLING



DRAWING %	
FABRICATION	
100%	
90%	X
75%	
50%	
PRELIMINARY	

REVISION HISTORY		
REV	DESCRIPTION	DATE
1	PRELIMINARY DRAWINGS	01/13/2016
2	UPDATE DRAWINGS	03/31/2016
3	UPDATE DRAWINGS (G.B.)	05/31/2016

THIS DRAWING MUST BE SENT WITH PURCHASE ORDER

DESIGNER B.FEVEREIRO	DATE 05/31/2016	TITLE / TITRE XRI PUMP ASSEMBLY
PROJECT / PROJET		
CUSTOMER / CLIENT		
QUOTE	TAG	
DWG NO.		REV 3
SCALE / ECHELLE 1/8	JOB NO.	SHEET 1 OF 2

MONTREAL, (QC), CANADA
TORONTO, (ON), CANADA
LAKE WORTH, (FL), USA
WWW.FLOFAB.COM