

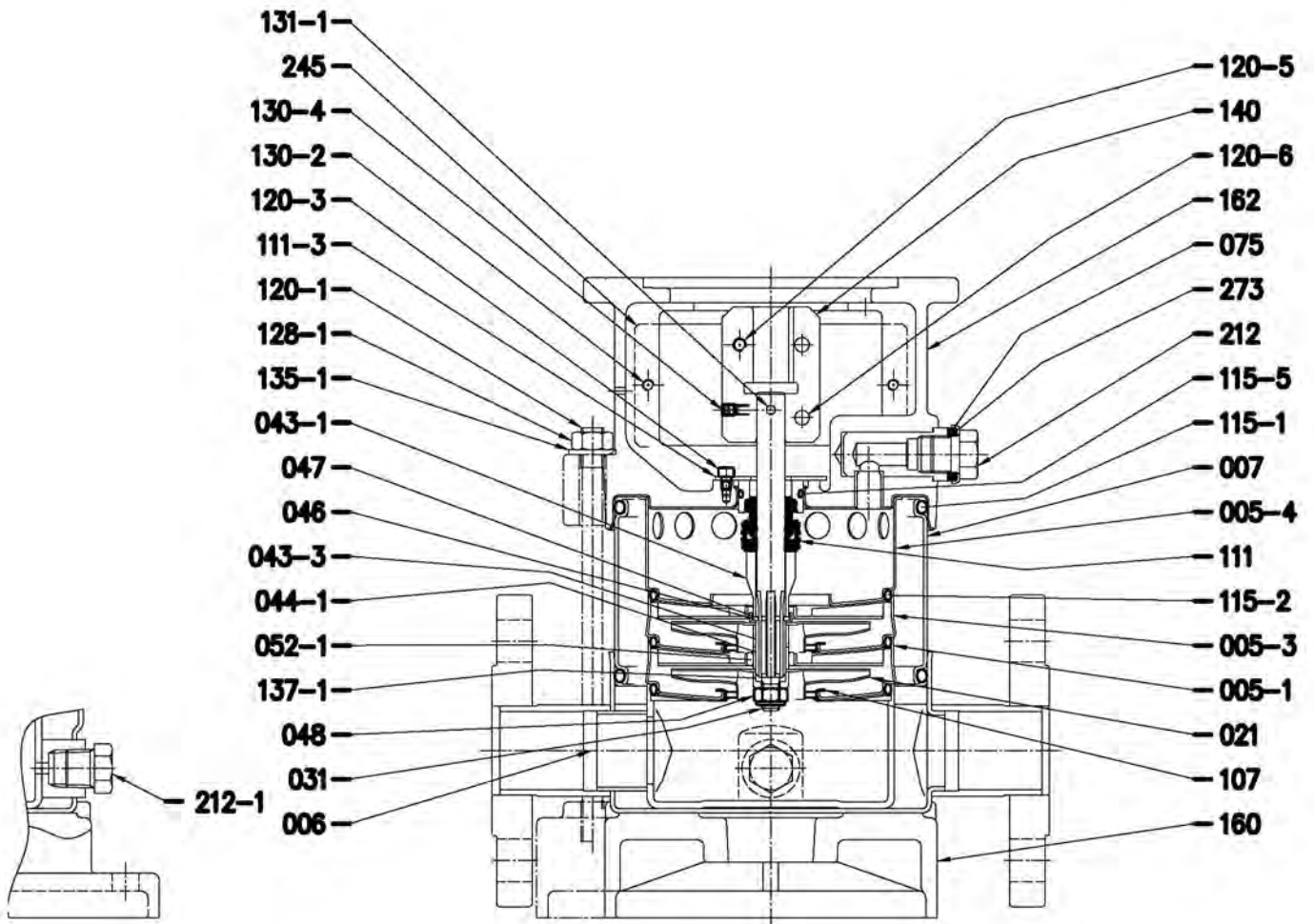


Go with the FLO

# SERIES PS

## PARTS LIST

Model PSM3-2 thru PSM3-12



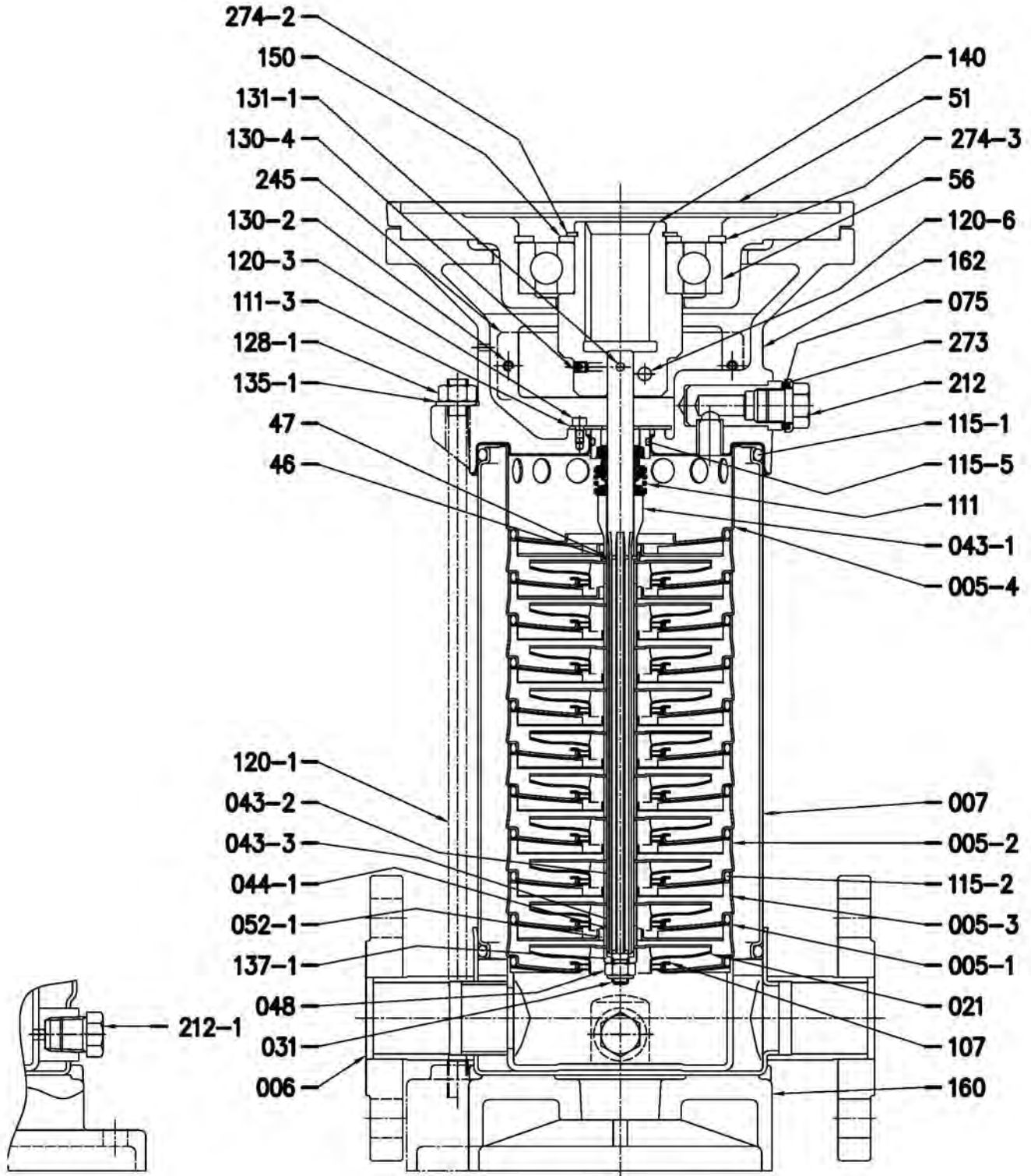


Go with the FLO

# SERIES PS

## PARTS LIST

Model PSM3-13 thru PSM3-18



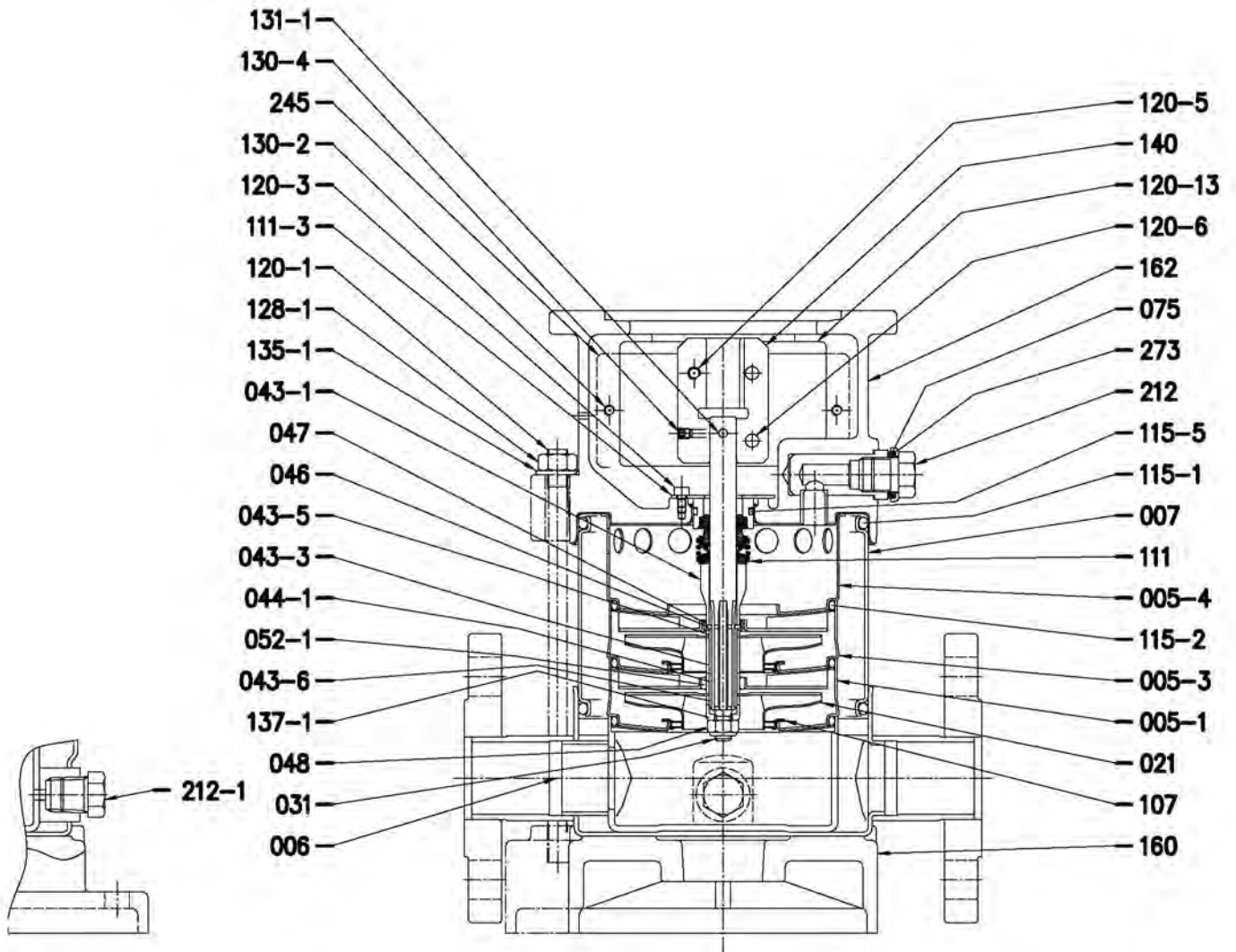


Go with the FLO

# SERIES PS

## PARTS LIST

Model PSM5-2 thru PSM5-6





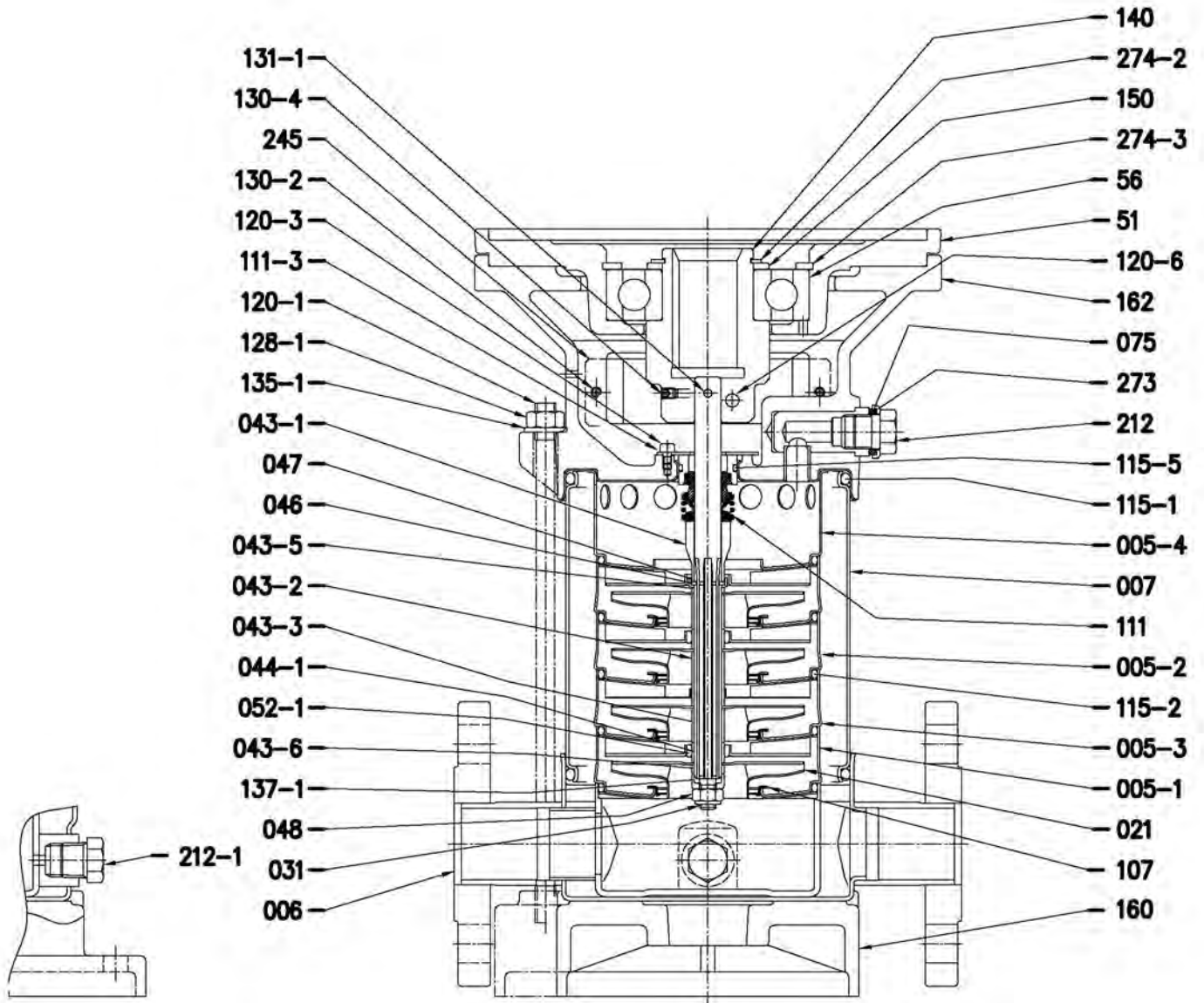


Go with the FLO

# SERIES PS

## PARTS LIST

Model PSM5-7 thru PSM5-16





Go with the FLO

SERIES PS  
Parts List

**MODEL - PSM3  
PSM5**

N°	Part name	Material
005-1	Suction casing	EN 1.4301(AISI 304)
005-2	Intermediate casing	EN 1.4301(AISI 304)
005-3	Intermediate casing bearing	EN 1.4301(AISI 304)
005-4	Discharge casing	EN 1.4301(AISI 304)
006	Bottom casing	EN 1.4301(AISI 304)
007	Outer casing	EN 1.4301(AISI 304)
021	Impeller	EN 1.4301(AISI 304)
031	Shaft	EN 1.4401 (AISI 316)
043-1	Shaft sleeve (mechanical seal)	EN 1.4301(AISI 304)
043-2	Shaft sleeve (intermediate)	EN 1.4301(AISI 304)
043-3	Shaft sleeve (bearing)	EN 1.4301(AISI 304)
043-5	Shaft sleeve (last stage)	EN 1.4301(AISI 304)
043-6	Shaft sleeve (adjustment)	EN 1.4301(AISI 304)
044-1	Shaft sleeve bearing	Tungsten carbide
046	Split ring (mechanical seal)	EN 1.4301(AISI 304)
047	Ring holder	EN 1.4301(AISI 304)
048	Impeller nut	A2-70 UNI 7323 with inox insert
051	Motor adapter	Cast iron EN-GJL-200-EN 1561
052-1	Bearing	Tungsten carbide
056	Ball bearing	
070-1	Ring for bearing	EN 1.4301(AISI 304)
075	O-ring (plug)	FPM
075-1	O-ring (plug)	FPM
107	Liner ring	PTFE/EN 1.4401 (AISI 316)
111	Mechanical seal	Silicon carbide/Carbon/FPM
111-3	Mechanical seal seat	EN 1.4301(AISI 304)
115-1	O-ring (outer casing)	FPM
115-2	O-ring (intermediate casing)	FPM
115-5	O-ring	FPM



Go with the FLO

SERIES PS  
Parts List

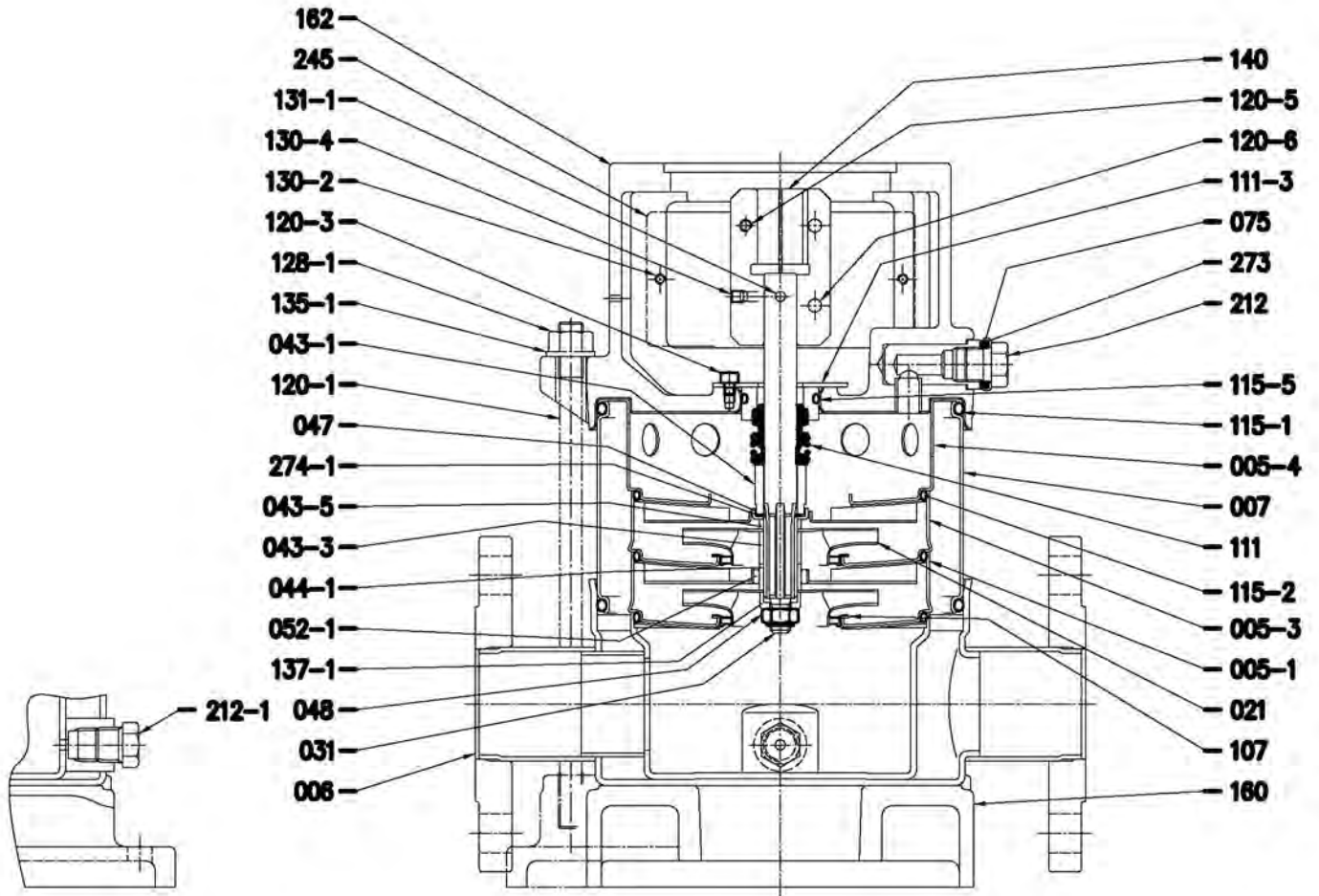
**MODEL - PSM3  
PSM5**

N°	Part name	Material
120-1	Tie rod	Zincate steel
120-3	Screw	A2-70 UNI 7323
120-5	Screw for coupling	Zincate stl 8.8 strgth class ISO 898/1
120-6	Screw for coupling	Zincate stl 8.8 strgth class ISO 898/1
128-1	Nut for tie rod	Zincate steel
130-2	Screw for coupling guard	A2-70 UNI 7323
130-4	Set-screw	Carbon steel
131-1	Pin for shaft	Carbon steel
135-1	Washer	Zincate steel
135-4	Washer (bearing)	Carbon steel
137-1	Impeller spacer	EN 1.4301(AISI 304)
140	Coupling	Brass OT 58 UNI 5705
150	Spacer	Carbon steel
160	Base	Cast iron EN-GJL-200-EN 1561
162	Motor bracket	Cast iron EN-GJL-200-EN 1561+ EN 1.4301(AISI 304)
169	Motor adapter	Cast iron EN-GJL-200-EN 1561
212	Plug	EN 1.4301(AISI 304)
212-1	Plug	EN 1.4301(AISI 304)
245	Coupling guard	EN 1.4301(AISI 304)
273	Washer (plug)	EN 1.4301(AISI 304)
273-1	Washer (plug)	EN 1.4301(AISI 3 04)
274-2	C-type snap ring (coupling)	EVMU3 13, EVMU5 7 ,8
		EVMU3 15, 18, EVMU5 10 to 16
274-3	C-type snap ring (bracket)	EVMU3 13, EVMU5 7 ,8
		EVMU3 15, 18, EVMU5 10 to 16

Go with the FLO

## SERIES PS

Model PSM10-2 thru PSM10-3





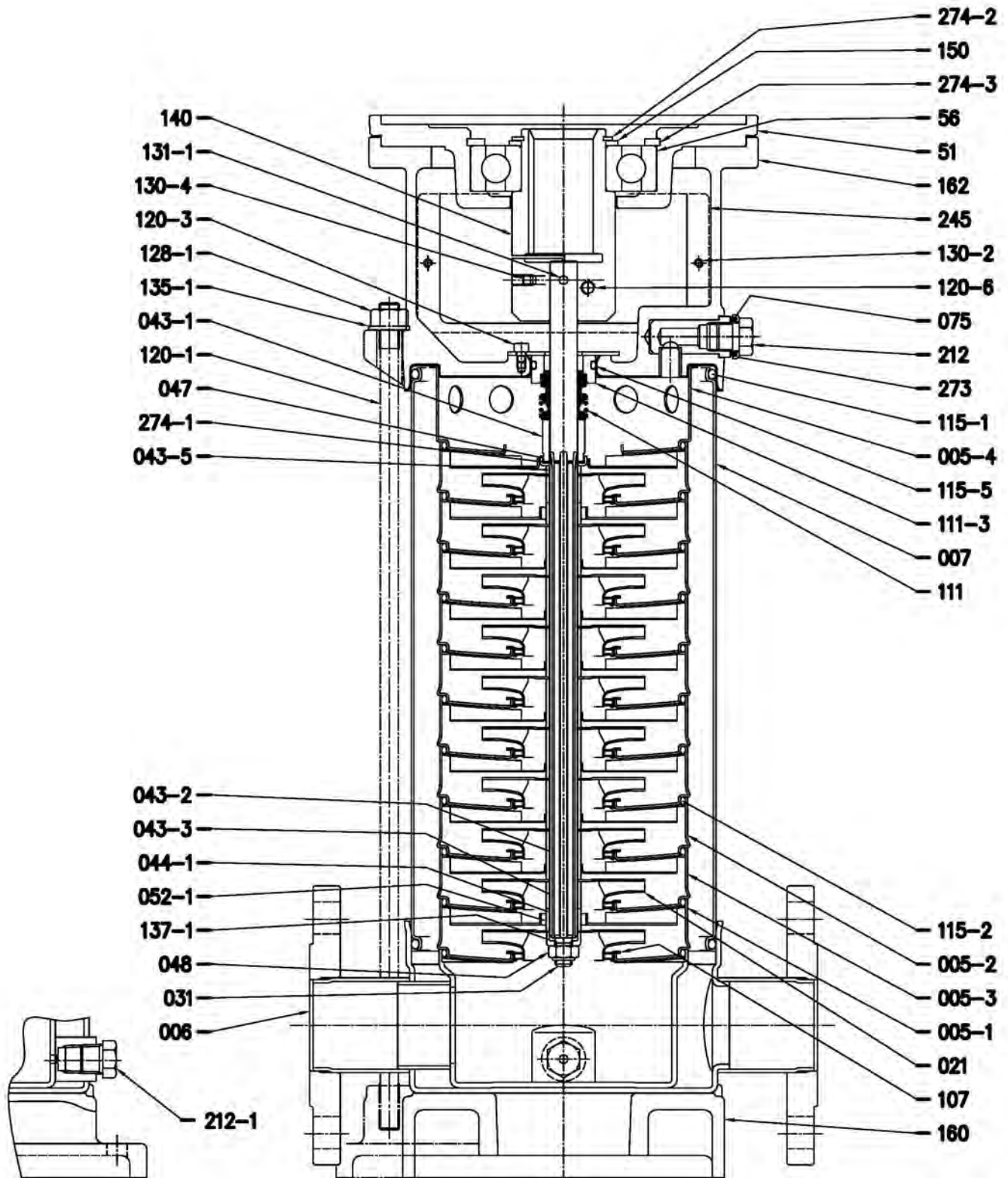


Go with the FLO

# SERIES PS

## PARTS LIST

Model PSM10-4 thru PSM10-12





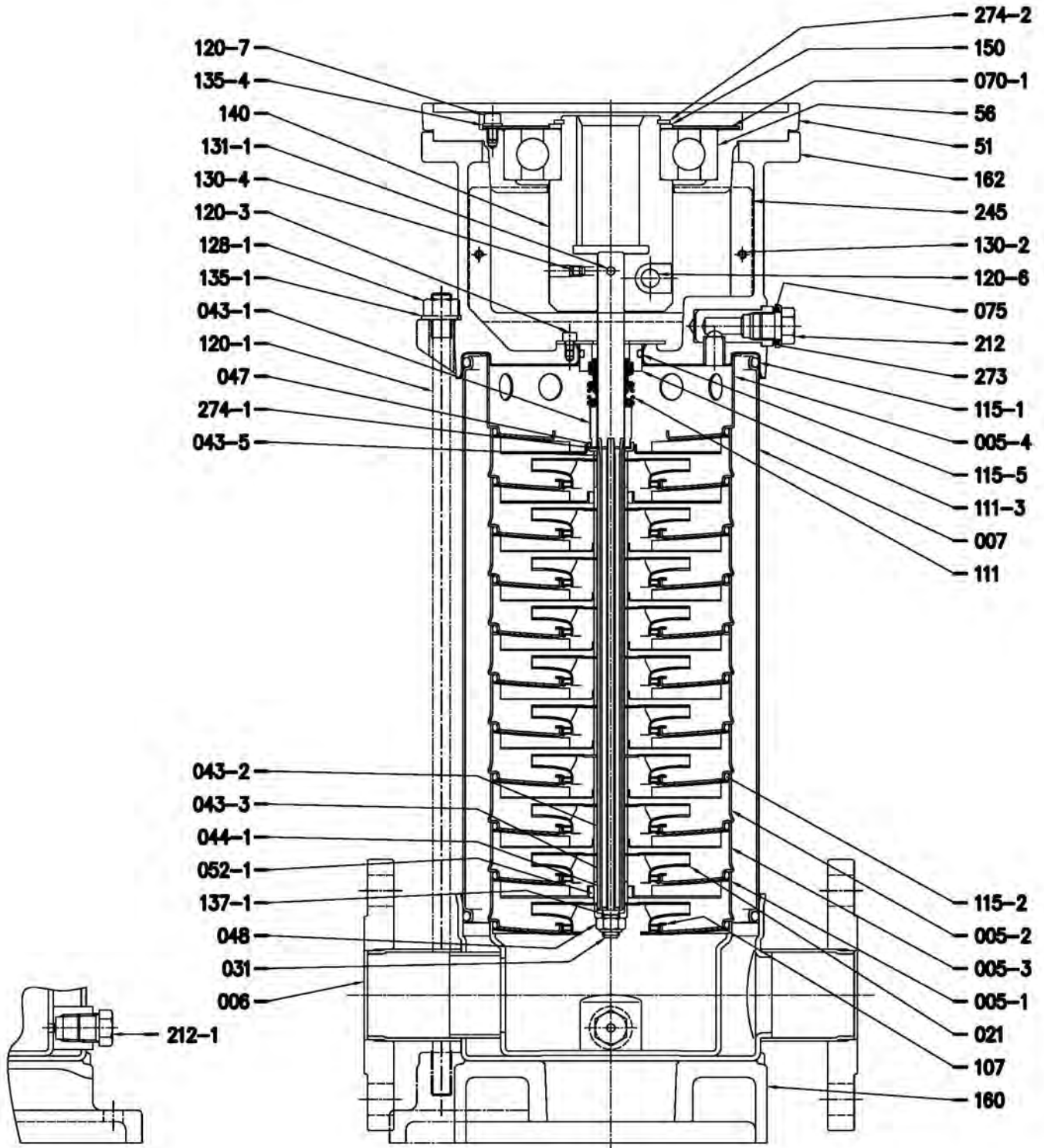


Go with the FLO

# SERIES PS

## PARTS LIST

Model PSM10-14 thru PSM10-16



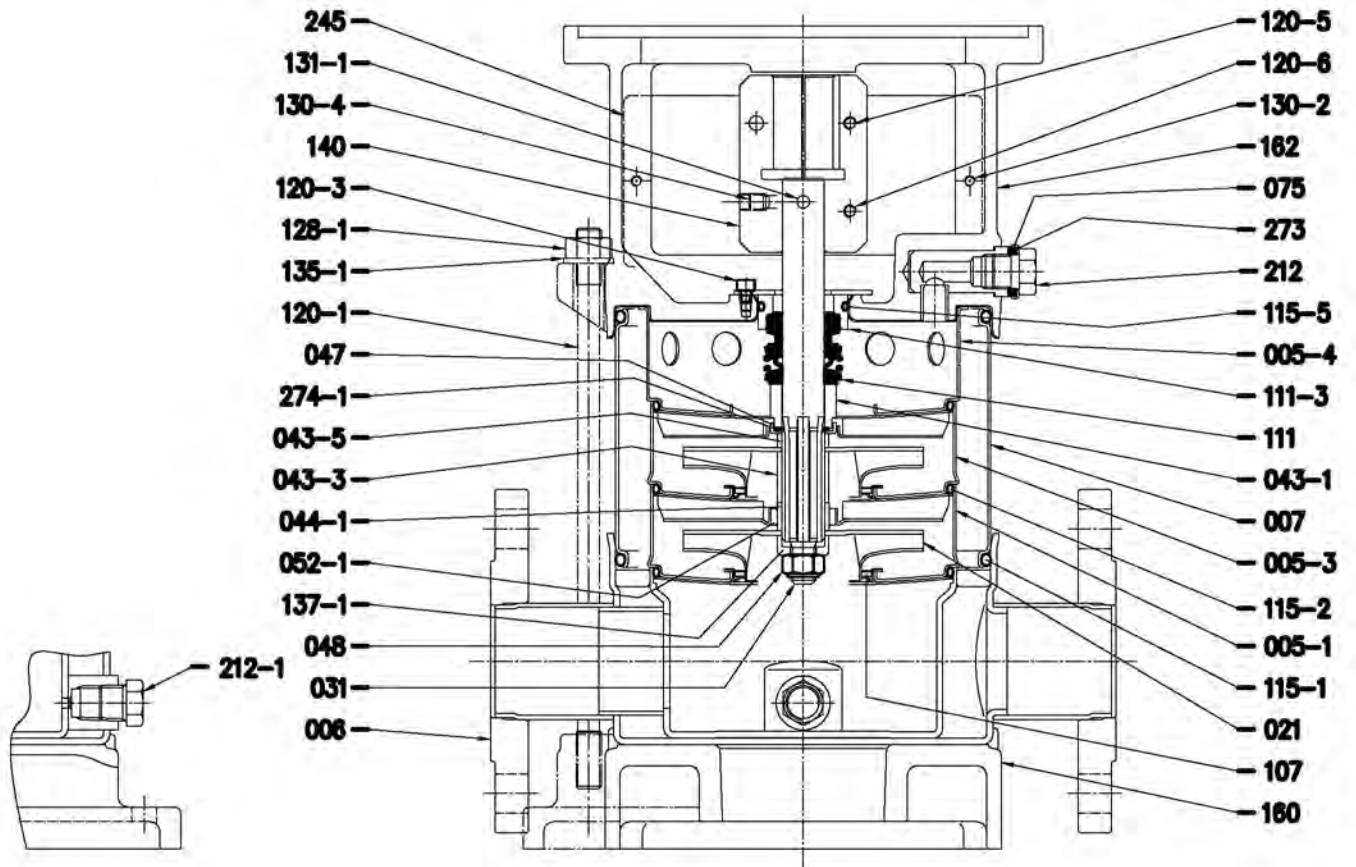


Go with the FLO

# SERIES PS

PARTS LIST

Model PSM18-2



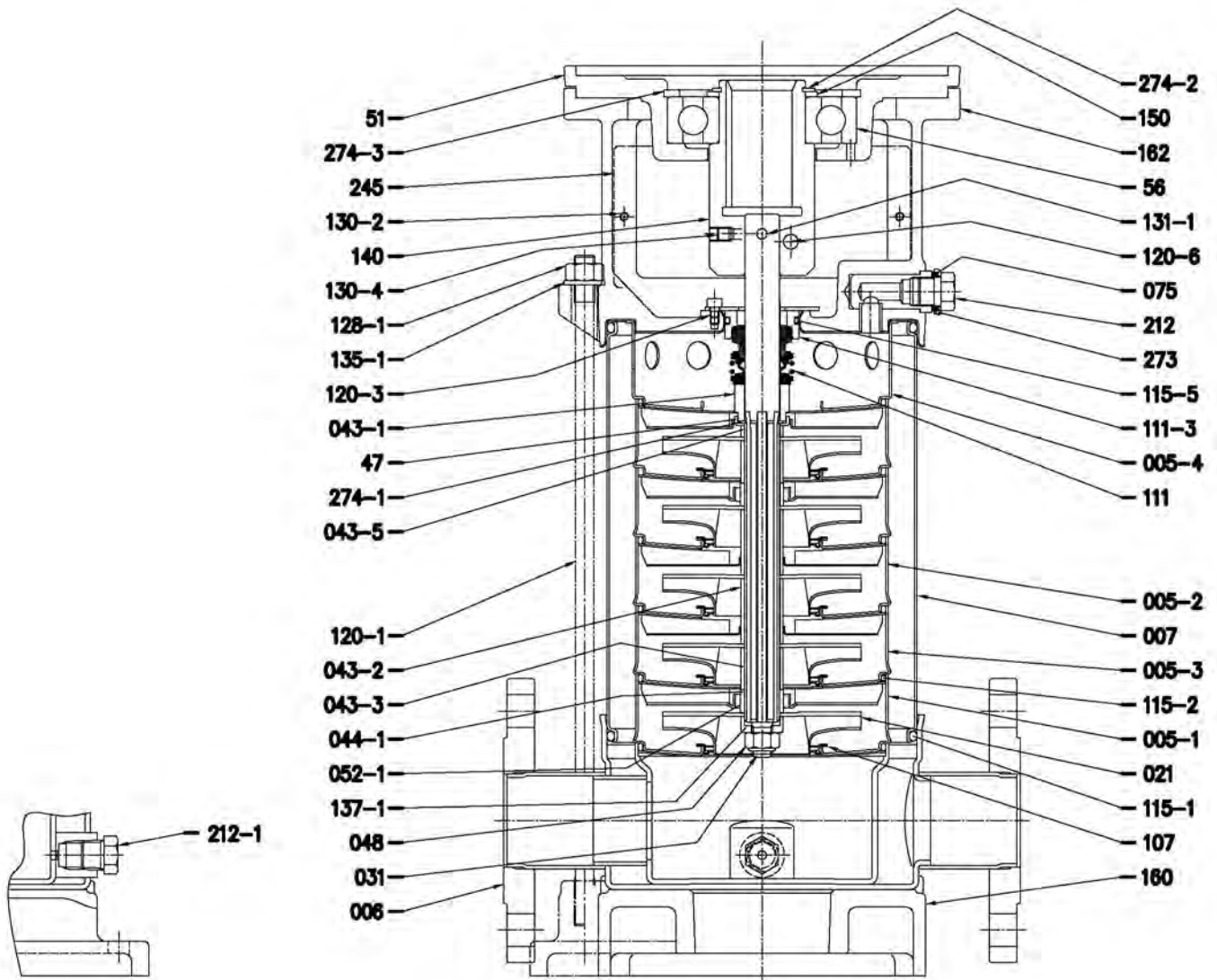


Go with the FLO

# SERIES PS

## PARTS LIST

Model PSM18-3 thru PSM18-5





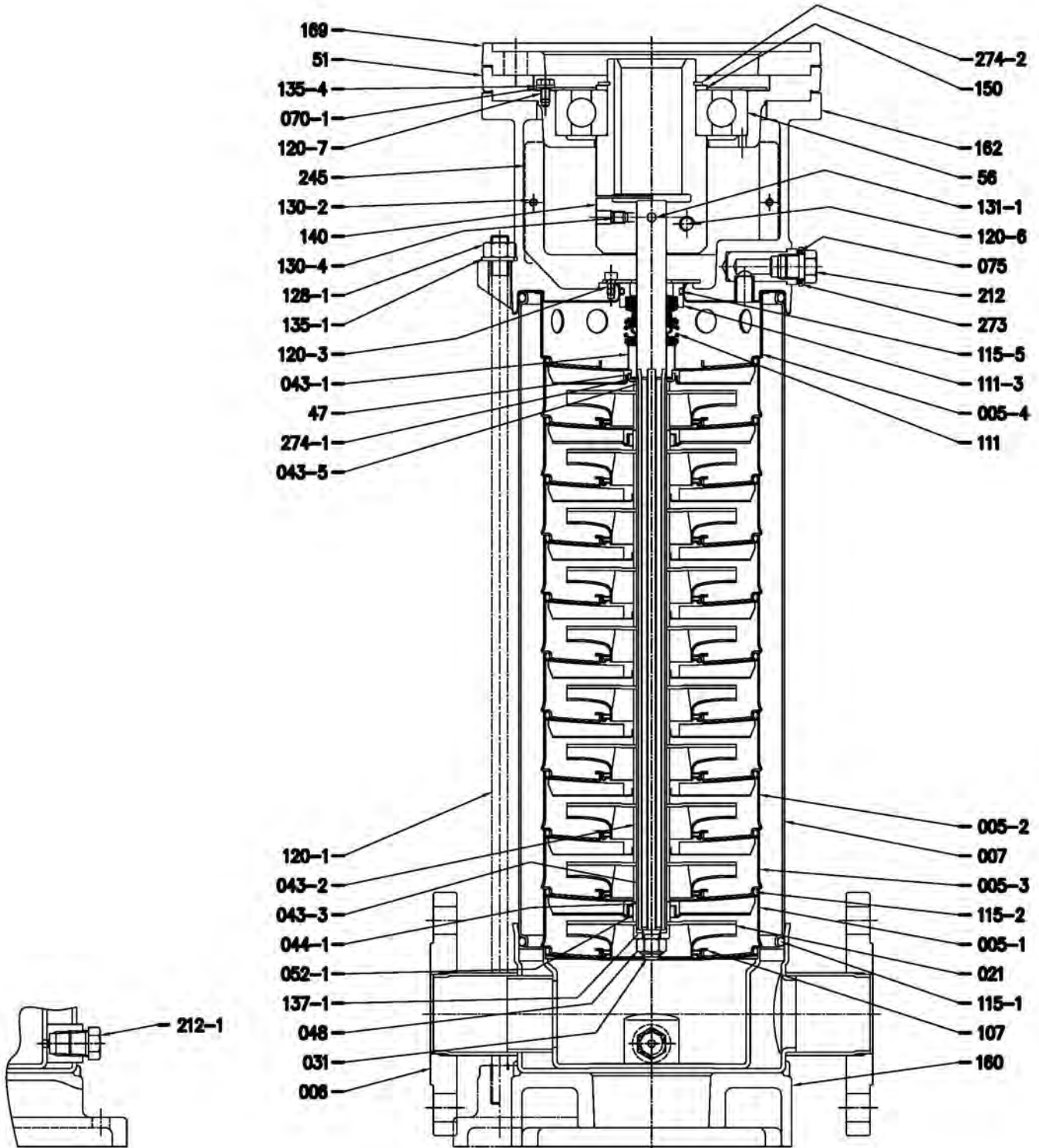


Go with the FLO

# SERIES PS

## PARTS LIST

Model PSM18-6 thru PSM18-11



N°	Part name	Material
005-1	Suction casing	EN 1.4301(AISI 304)
005-2	Intermediate casing	EN 1.4301(AISI 304)
005-3	Intermediate casing bearing	EN 1.4301(AISI 304)
005-4	Discharge casing	EN 1.4301(AISI 304)
006	Bottom casing	EN 1.4301(AISI 304)
007	Outer casing	EN 1.4301(AISI 304)
021	Impeller	EN 1.4301(AISI 304)
031	Shaft	EN 1.4401 (AISI 316)
043-1	Shaft sleeve (mechanical seal)	EN 1.4301(AISI 304)
043-2	Shaft sleeve (intermediate)	EN 1.4301(AISI 304)
043-3	Shaft sleeve (bearing)	EN 1.4301(AISI 304)
043-5	Shaft sleeve (last stage)	EN 1.4301(AISI 304)
043-6	Shaft sleeve (adjustment)	EN 1.4301(AISI 304)
044-1	Shaft sleeve bearing	Tungsten carbide
046	Split ring (mechanical seal)	EN 1.4301(AISI 304)
047	Ring holder	EN 1.4301(AISI 304)
048	Impeller nut	A2-70 UNI 7323 with inox insert
051	Motor adapter	Cast iron EN-GJL-200-EN 1561
052-1	Bearing	Tungsten carbide
056	Ball bearing	See table pag. 500
070-1	Ring for bearing	EN 1.4301(AISI 304)
075	O-ring (plug)	FPM
075-1	O-ring (plug)	FPM
107	Liner ring	PTFE/EN 1.4401 (AISI 316)
111	Mechanical seal	Silicon carbide/Carbon/FPM
111-3	Mechanical seal seat	EN 1.4301(AISI 304)
115-1	O-ring (outer casing)	FPM
115-2	O-ring (intermediate casing)	FPM
115-5	O-ring	FPM



# FLO FAB

Go with the FLO

## SERIES PS Parts List

### MODEL - PSM10

N°	Part name	Material
120-1	Tie rod	Zincate steel
120-3	Screw	A2-70 UNI 7323
120-5	Screw for coupling	Zincate steel 8.8 strength class ISO 898/1
120-6	Screw for coupling	EVMU10 2, EVMU10 3
		EVMU10 4 to12
		EVMU10 14 to16
120-7	Screw (bearing)	Zincate steel 8.8 strength class ISO 898/1
128-1	Nut for tie rod	Zincate steel
130-2	Screw for coupling guard	A2-70 UNI 7323
130-4	Set-screw	Carbon steel
131-1	Pin for shaft	Carbon steel
135-1	Washer	Zincate steel
135-4	Washer (bearing)	Carbon steel
137-1	Impeller spacer	EN 1.4301(AISI 304)
140	Coupling	Brass OT 58 UNI 5705
150	Spacer	Carbon steel
160	Base	Cast iron EN-GJL-200-EN 1561
162	Motor bracket	Cast iron EN-GJL-200-EN 1561+ EN 1.4301(AISI 304)
169	Motor adapter	Cast iron EN-GJL-200-EN 1561
212	Plug	EN 1.4301(AISI 304)
212-1	Plug	EN 1.4301(AISI 304)
245	Coupling guard	EN 1.4301(AISI 304)
273	Washer (plug)	EN 1.4301(AISI 304)
273-1	Washer (plug)	EN 1.4301(AISI 304)
274-1	C-type snap ring (coupling)	EN 1.4301(AISI 304)
274-2	C-type snap ring (coupling)	EVMU10 4
		EVMU10 5 to 8
		EVMU10 10 to 12
		EVMU10 14 to16
274-3	C-type snap ring (bracket)	EVMU10 4
		EVMU10 5 to 8
		EVMU10 10 to 12





# FLO FAB

Go with the FLO

## SERIES PS Parts List

### MODEL - PSM18

N°	Part name	Material
005-1	Suction casing	EN 1.4301(AISI 304)
005-2	Intermediate casing	EN 1.4301(AISI 304)
005-3	Intermediate casing bearing	EN 1.4301(AISI 304)
005-4	Discharge casing	EN 1.4301(AISI 304)
006	Bottom casing	EN 1.4301(AISI 304)
007	Outer casing	EN 1.4301(AISI 304)
021	Impeller	EN 1.4301(AISI 304)
031	Shaft	EN 1.4401 (AISI 316)
043-1	Shaft sleeve (mechanical seal)	EN 1.4301(AISI 304)
043-2	Shaft sleeve (intermediate)	EN 1.4301(AISI 304)
043-3	Shaft sleeve (bearing)	EN 1.4301(AISI 304)
043-5	Shaft sleeve (last stage)	EN 1.4301(AISI 304)
043-6	Shaft sleeve (adjustment)	EN 1.4301(AISI 304)
044-1	Shaft sleeve bearing	Tungsten carbide
046	Split ring (mechanical seal)	EN 1.4301(AISI 304)
047	Ring holder	EN 1.4301(AISI 304)
048	Impeller nut	A2-70 UNI 7323 with inox insert
051	Motor adapter	Cast iron EN-GJL-200-EN 1561
052-1	Bearing	Tungsten carbide
056	Ball bearing	See table pag. 500
070-1	Ring for bearing	EN 1.4301(AISI 304)
075	O-ring (plug)	FPM
075-1	O-ring (plug)	FPM
107	Liner ring	PTFE/EN 1.4401 (AISI 316)
111	Mechanical seal	Silicon carbide/Carbon/FPM
111-3	Mechanical seal seat	EN 1.4301(AISI 304)
115-1	O-ring (outer casing)	FPM
115-2	O-ring (intermediate casing)	FPM
115-5	O-ring	FPM



# FLO FAB

Go with the FLO

## SERIES PS Parts List

### MODEL - PSM18

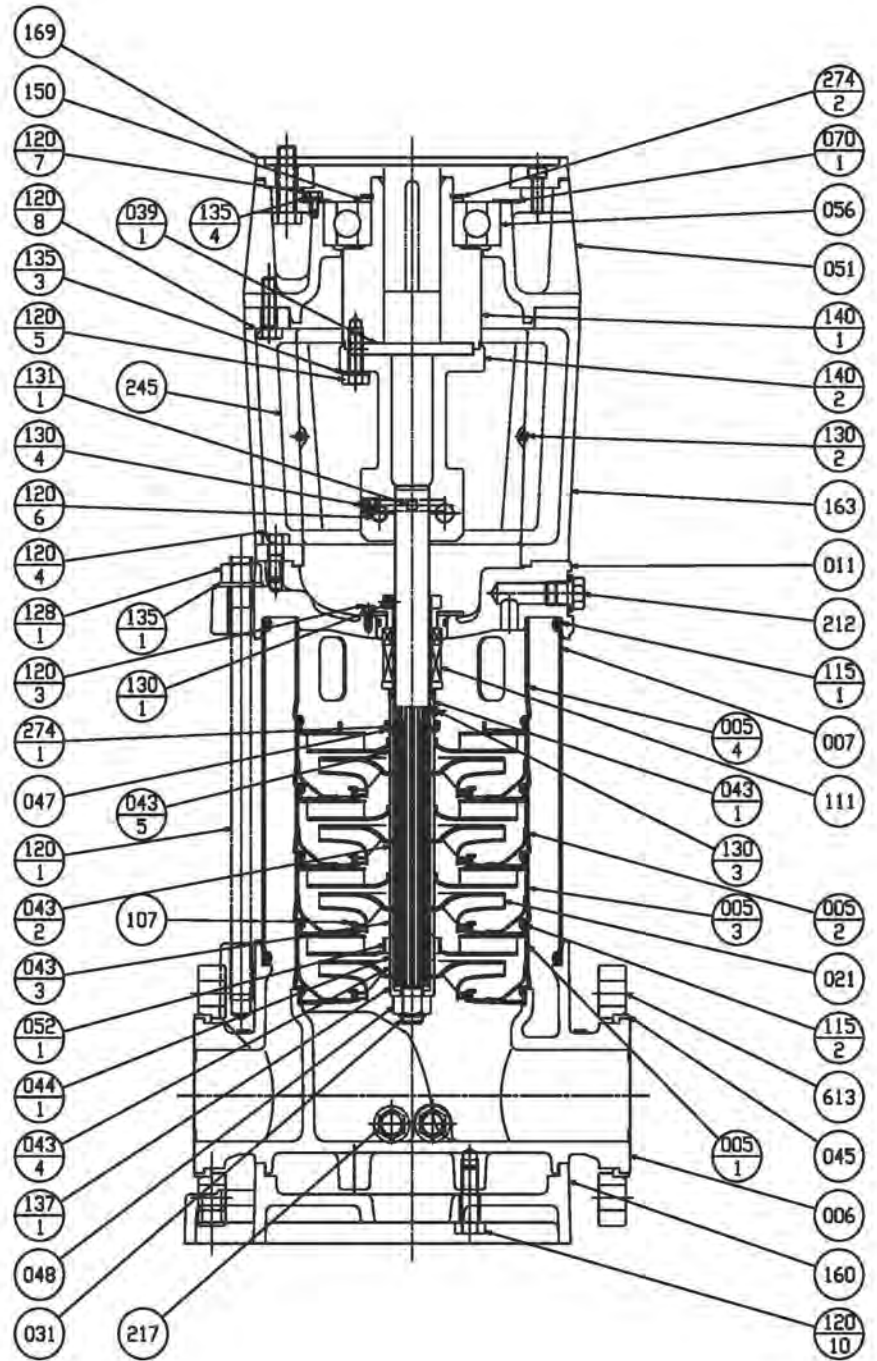
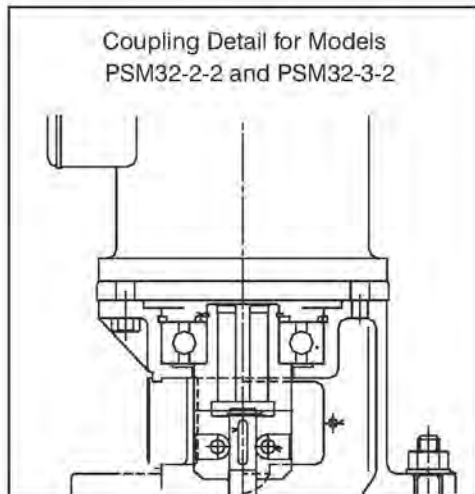
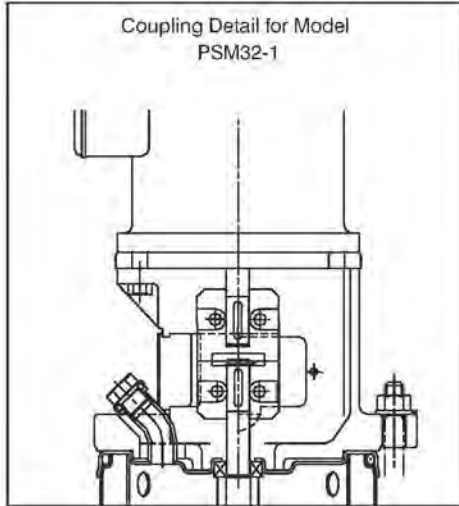
N°	Part name	Material
120-1	Tie rod	Zincate steel
120-3	Screw	A2-70 UNI 7323
120-5	Screw for coupling	Zincate steel 8.8 strength class ISO 898/1
120-6	Screw for coupling	EVMU18 2
		EVMU18 3 to 5
		EVMU18 6 to 11
120-7	Screw (bearing)	Zincate steel 8.8 strength class ISO 898/1
128-1	Nut for tie rod	Zincate steel
130-2	Screw for coupling guard	A2-70 UNI 7323
130-4	Set-screw	Carbon steel
131-1	Pin for shaft	Carbon steel
135-1	Washer	Zincate steel
135-4	Washer (bearing)	Carbon steel
137-1	Impeller spacer	EN 1.4301(AISI 304)
140	Coupling	Brass OT 58 UNI 5705
150	Spacer	Carbon steel
160	Base	Cast iron EN-GJL-200-EN 1561
162	Motor bracket	Cast iron EN-GJL-200-EN 1561+ EN 1.4301(AISI 304)
169	Motor adapter	Cast iron EN-GJL-200-EN 1561
212	Plug	EN 1.4301(AISI 304)
212-1	Plug	EN 1.4301(AISI 304)
245	Coupling guard	EN 1.4301(AISI 304)
273	Washer (plug)	EN 1.4301(AISI 304)
273-1	Washer (plug)	EN 1.4301(AISI 304)
274-1	C-type snap ring (coupling)	EN 1.4301(AISI 304)
274-2	C-type snap ring (coupling)	EVMU18 3 to 4
		EVMU18 5
		EVMU18 6 to 10
		EVMU18 11
274-3	C-type snap ring (bracket)	EVMU18 3 to 4
		EVMU18 5

Go with the FLO

## SERIES PS

PARTS LIST

Model PSM32







# FLO FAB

Go with the FLO

## SERIES PS Parts List

### MODEL - PSM32

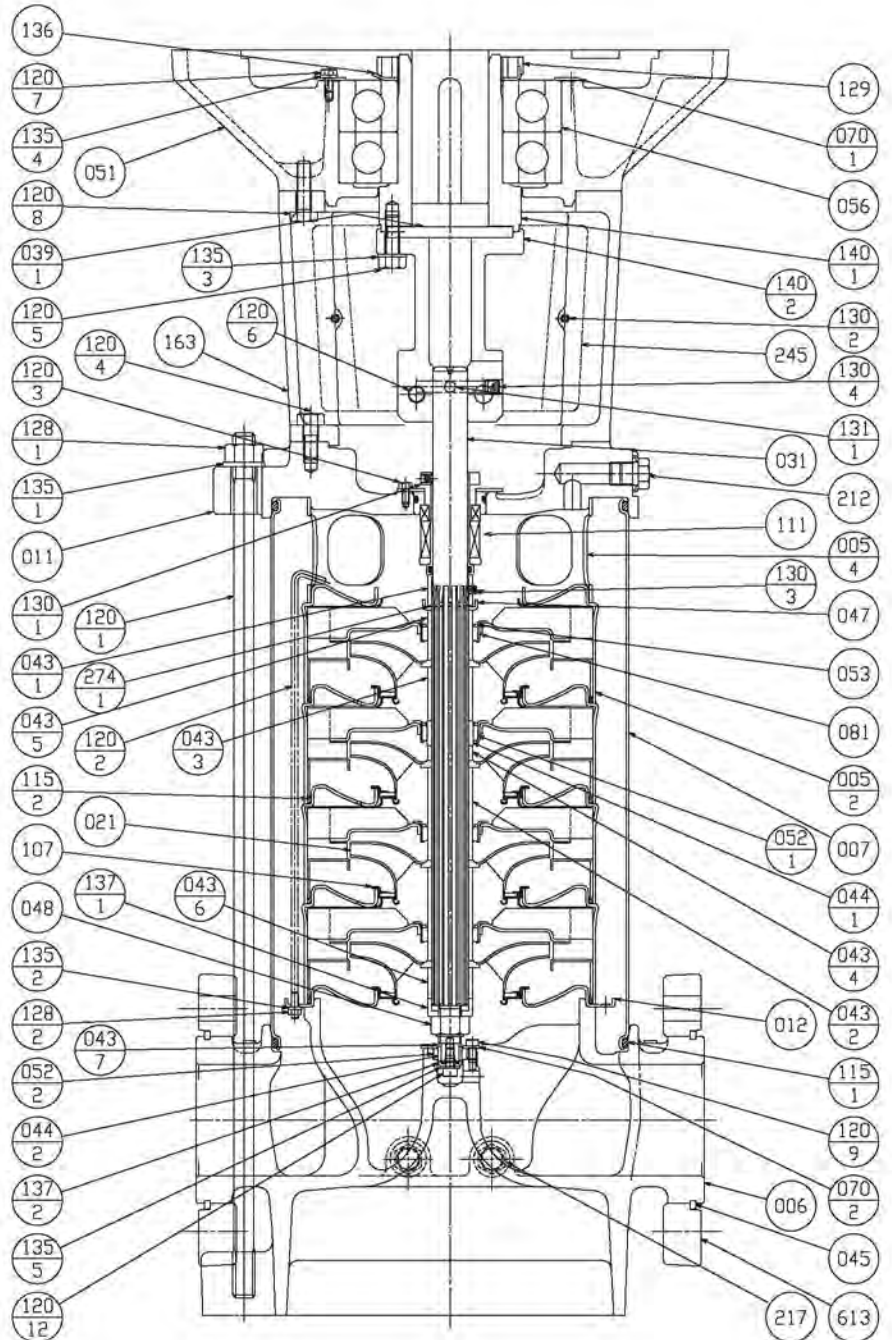
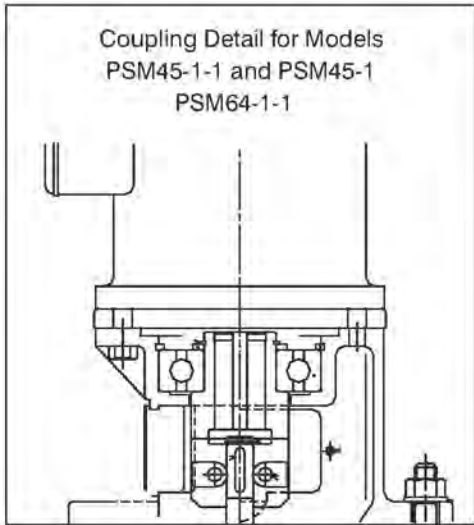
NO.	PART NAME	MATERIAL
005-1	Stage casing (suction)	AISI304
005-2	Stage casing	AISI304
005-3	Stage casing (bearing)	AISI304
005-4	Stage casing (Top)	AISI304
006	Bottom casing	Cast iron EN-GJL-250
007	Outer sleeve	AISI304
011	Casing cover	Cast iron EN-GJS-400-15
021	Impeller	AISI304
031	Shaft	AISI316
039-1	Key (coupling)	C45
043-1	Shaft sleeve (mechanical seal)	AISI304
043-2	Shaft sleeve (stage)	AISI304
043-3	Shaft sleeve (bearing/upper)	AISI304
043-4	Shaft sleeve (bearing/lower)	AISI304
043-5	Shaft sleeve (top)	AISI304
044-1	Bearing sleeve (stage)	Tungsten carbide
045	Adjusting ring	C40
047	Split ring retainer	AISI304
048	Friction nut	AISI304
051	Bearing housing	Cast iron EN-GJL-200
052-1	Bearing (stage)	Tungsten carbide
056	Ball bearing	-
070-1	Bearing holder	AISI304
107	Wear ring	AISI316+PTFE
111	Mechanical seal Cartridge ass'y	SiC/Carbon/FPM/316
115-1	O-ring (outer)	FPM
115-2	O-ring (stage)	FPM
120-1	Tie-rod bolt	Zincate steel with 6.8 strength class ISO 898/1
120-3	Bolt (mechanical seal)	Stainless steel A2-70 ISO3506
120-4	Bolt (casing cover)	Stainless steel A2-70 ISO3506
120-5	Bolt (coupling M-side)	Zincate steel with 8.8 strength class ISO 898/1
120-6	Bolt (coupling P-side)	Zincate steel with 8.8 strength class ISO 898/1
120-7	Bolt (bearing)	Zincate steel with 8.8 strength class ISO 898/1
120-8	Bolt (bearing housing)	Zincate steel with 8.8 strength class ISO 898/1
120-10	Bolt (base plate)	Zincate steel with 8.8 strength class ISO 898/1
128-1	Nut (tie-rod bolt)	Zincate steel with 6S strength class ISO 898/2
130-1	Screw (mechanical seal)	Stainless steel A2-70 ISO3506
130-2	Screw (coupling guard)	Stainless steel A2-70 ISO3506
130-3	Screw (mechanical seal)	Stainless steel A2-70 ISO3506
130-4	Screw (coupling pin)	Strength class 45H ISO898/5
131-1	Pin (shaft)	CF35SMnPb10
135-1	Washer (tie-rod bolt)	Zincate steel
135-3	Spring washer (coupling bolt M-side)	Zincate steel
135-4	Spring washer (bearing)	Zincate steel
137-1	Shaft end sleeve	AISI304
140-1	Coupling upper half	Steel (36SMnPb14)
140-2	Coupling lower half	Steel (36SMnPb14)
150	Spacer (coupling)	C45
160	Base plate	Cast iron EN-GJL-200
163	Motor stool	Cast iron EN-GJL-200
169	Motor liner	Cast iron EN-GJL-200
212	Vent plug (with seal ring)	AISI304/FPM
217	Plug (with seal ring)	AISI304/FPM
245	Coupling guard	AISI304
274-1	C-ring (top)	AISI304
274-2	C-ring (coupling)	Carbon tool steel (TC80)
613	Pump flange	C40

Go with the FLO

## SERIES PS

### PARTS LIST

### Model PSM45 and PSM64





NO.	PART NAME	MATERIAL
005-2	Stage casing	AISI304
005-4	Top casing	AISI304
006	Bottom casing	16bar:Cast iron EN-GJL-250 25bar:Cast iron EN-GJS-400-15
007	Outer sleeve	AISI304
011	Casing cover	Cast iron EN-GJS-400-15
012	Suction cover	AISI304
021	Impeller	AISI304
031	Shaft	AISI316
039-1	Key (coupling)	C45
043-1	Shaft sleeve (mechanical seal)	AISI304
043-2	Shaft sleeve (stage)	AISI304
043-3	Shaft sleeve (bearing/upper)	AISI304
043-4	Shaft sleeve (bearing/lower)	AISI30
043-5	Shaft sleeve (top)	AISI304
043-6	Shaft sleeve (suction)	AISI304
043-7	Shaft sleeve (bottom bearing)	AISI304
044-1	Bearing sleeve (stage)	Tungsten carbide
044-2	Bearing sleeve (bottom bearing)	Tungsten carbide
045	Adjusting ring	C40
047	Split ring retainer	AISI304
048	Friction nut	AISI304
051	Bearing housing	Cast iron EN-GJL-200
052-1	Bearing (stage)	Tungsten carbide
052-2	Bearing (bottom)	Tungsten carbide
053	Bush holder	AISI304
056	Ball bearing	-
070-1	Bearing holder	AISI304
070-2	Bearing holder (bottom bearing)	AISI304
081	Bush	PTFE (alloy)
107	Wear ring	AISI316+PTFE
111	Mechanical seal Cartridge ass'y	SiC/Carbon/FPM/316
115-1	O-ring (outer)	FPM
115-2	O-ring (stage)	FPM
120-1	Tie-rod bolt	Zincate steel with 8.8 strength class ISO 898/1
120-2	Stack bolt	AISI304
120-3	Bolt (mechanical seal)	Stainless steel A2-70 ISO3506
120-4	Bolt (casing cover)	Stainless steel A2-70 ISO3506
120-5	Bolt (coupling M-side)	Zincate steel with 8.8 strength class ISO 898/1
120-6	Bolt (coupling P-side)	Zincate steel with 8.8 strength class ISO 898/1
120-7	Bolt (bearing)	Zincate steel with 8.8 strength class ISO 898/1
120-8	Bolt (bearing housing)	Zincate steel with 8.8 strength class ISO 898/1
120-9	Bolt (bottom bearing)	Stainless steel A2-70 ISO3506
120-12	Bolt (shaft end)	Stainless steel A2-70 ISO3506
128-1	Nut (tie-rod bolt)	Zincate steel with 8.8 strength class ISO 898/2
128-2	Nut (Stack bolt)	AISI304
129	Bearing nut (coupling)	Carbon steel
130-1	Screw (mechanical seal)	Stainless steel A2-70 ISO3506
130-2	Screw (coupling guard)	Stainless steel A2-70 ISO3506
130-3	Screw (mechanical seal)	Stainless steel A2-70 ISO3506
130-4	Screw (coupling pin)	Strength class 45H ISO898/5
131-1	Pin (shaft)	CF35SMnPb10
135-1	Washer (tie-rod bolt)	Zincate steel
135-2	Spring washer (Stack bolt)	AISI304
135-3	Spring washer (coupling bolt M-side)	Zincate steel
135-4	Spring washer (bearing)	Zincate steel
135-5	Spring washer (shaft end)	AISI304
136	Bearing washer (coupling)	Carbon steel
137-1	Shaft end sleeve	AISI304
137-2	Shaft end sleeve	AISI304
140-1	Coupling upper half	Steel (36SMnPb14)
140-2	Coupling lower half	Steel (36SMnPb14)
163	Motor stool	Cast iron EN-GJL-200
212	Vent plug (with seal ring)	AISI304/FPM
217	Plug (with seal ring)	AISI304/FPM
245	Coupling guard	AISI304
274-1	C-ring (top)	AISI304
613	Pump flange	C40