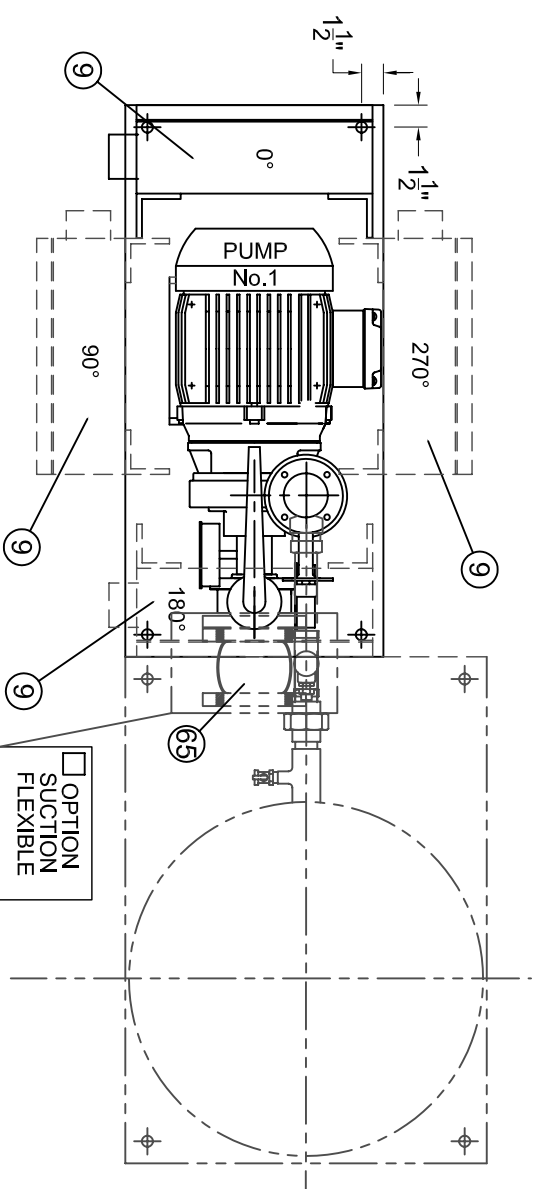


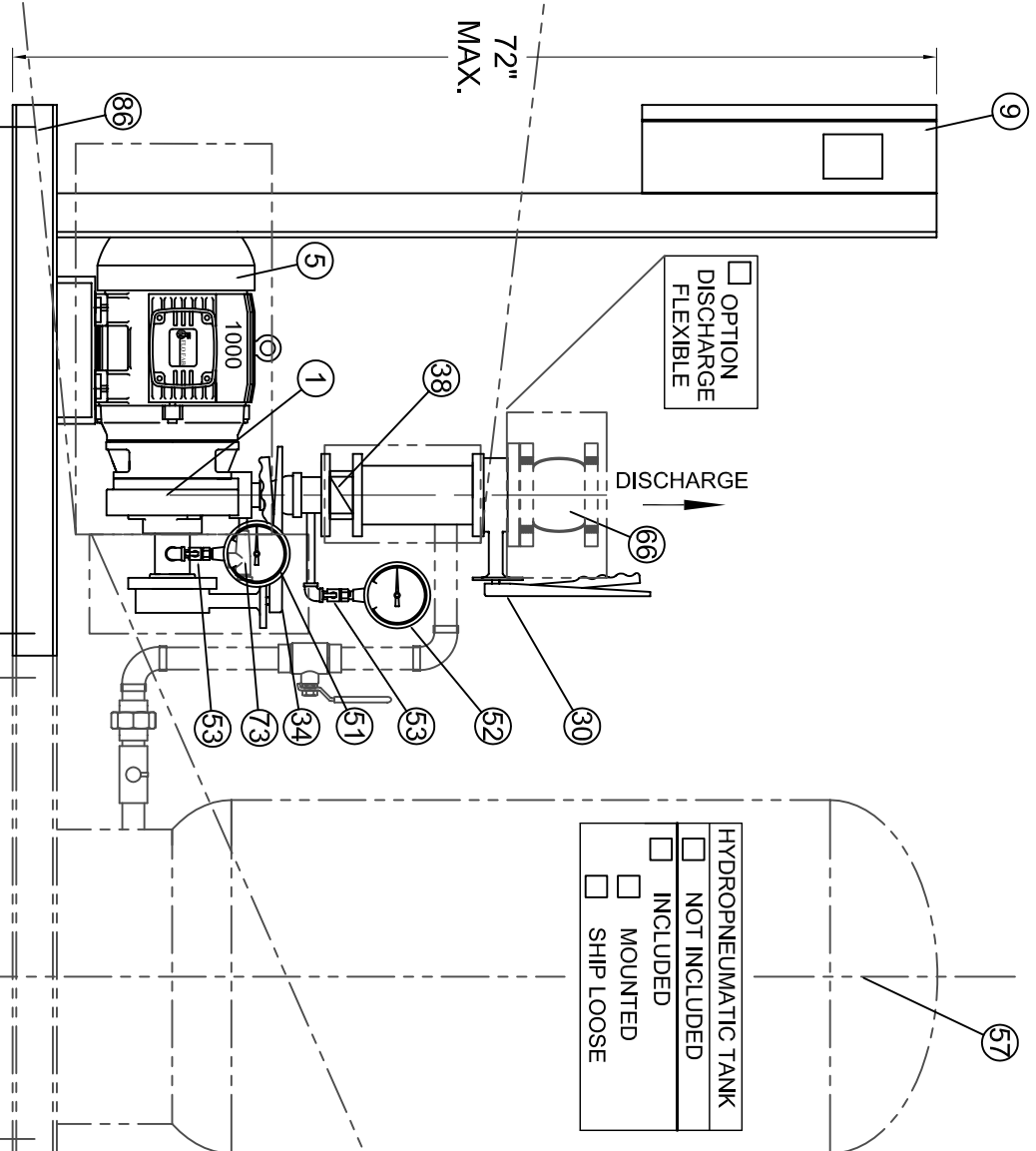
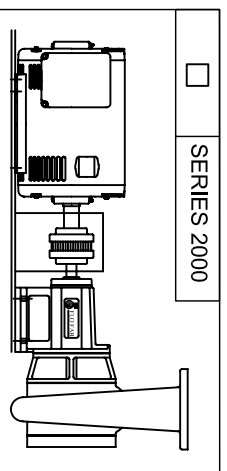
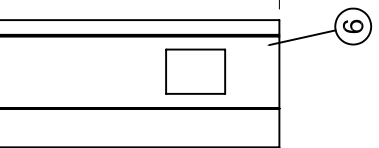
STANDARD AS SHOWN	OPTION-1	OPTION-2
IN OUT	IN OUT	IN OUT

HEADER SIZE
<input type="checkbox"/> 0-300 USGPM Ø3"
<input type="checkbox"/> 301-500 USGPM Ø4"
<input type="checkbox"/> 501-1100 USGPM Ø6"

CONTROL PANEL	POSITION
<input type="checkbox"/> ITEM 9	0°
<input type="checkbox"/>	90°
<input type="checkbox"/>	180°
<input type="checkbox"/>	270°
<input type="checkbox"/>	WALL MOUNTED



DISCHARGE OPTIONS	
PUMP No.1	
OPTION A	<input type="checkbox"/>
STANDARD	<input type="checkbox"/>



HYDRO PNEUMATIC TANK	
<input type="checkbox"/> NOT INCLUDED	<input type="checkbox"/> INCLUDED
<input type="checkbox"/> SHIP LOOSE	<input type="checkbox"/> MOUNTED

SUCTION OPTIONS	
PUMP No.1	
OPTION C	<input type="checkbox"/>
OPTION B	<input type="checkbox"/>
STANDARD	<input type="checkbox"/>

<input type="checkbox"/> S-HC-_____
<input type="checkbox"/> S-HC-HT-_____

FLO FAB AQUA PROFAB	
880 BOULEVARD INDUSTRIEL BOIS-DES-FRANCS, QC J6Z 4V7, (450) 621-2985	
ENGINEER / INGENIEUR CUSTOMER / CLIENT PART LIST N° / LISTE DE MATERIEL N°	DATE / DATE APRIL 2007
FLO FAB SIMPLEX CONSTANT PRESSURE SYSTEM SERIES "HC"	
TITLE / TITRE FLO FAB SIMPLEX CONSTANT PRESSURE SYSTEM SERIES "HC"	DRAWING N° / N° DESSIN S-HC-1000_2000_SUBMITTAL
DRAWN BY / DESINATEUR M.LYMBURNER	SCALE / ECHELLE N/A
REV 0	REV 0

