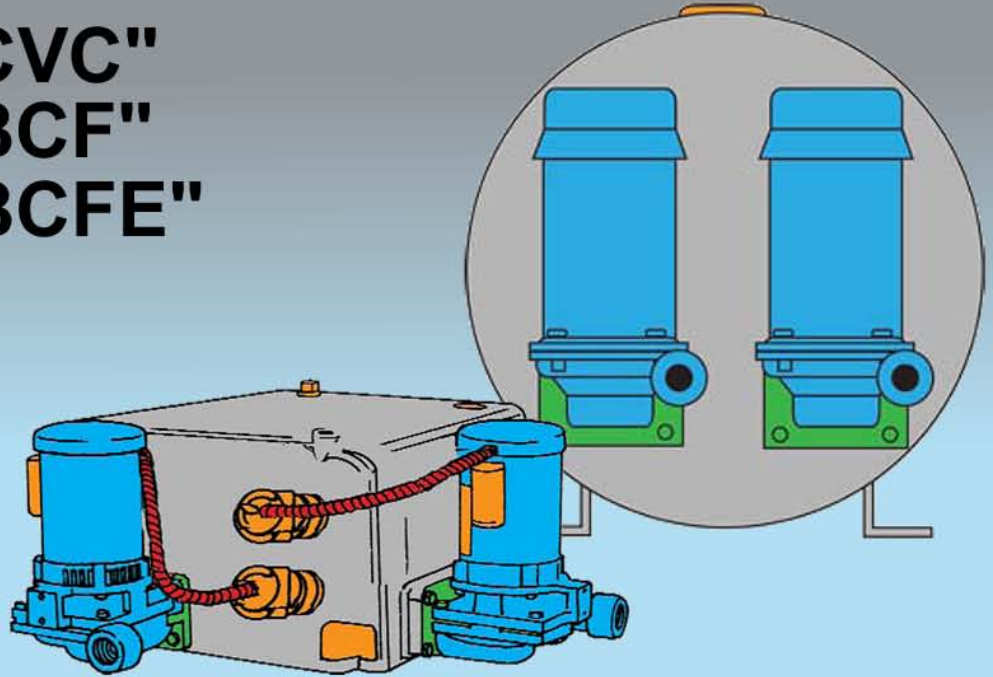


FLO FAB



Condensate & Boiler Feed Units

Series "CVC"
"BCF"
"BCFE"



www.flofab.com

Manufacturer of Pumps, Tanks, Heat Exchangers & Accessories
for HVAC Market After-Sales Parts and Services

Condensate & Boiler Feed Units
Series "CVC" - Condensate
"BFC" - Boiler Feed
"BCFE" - Elevated
Boiler Feed

FLO FAB INC
LAKE WORTH,
FLORIDA, USA



CONDENSATE & BOILER FEED UNITS

SERIES CVC - BFC - BFCE

CONDENSATE RETURN UNITS SERIES CVC

CONDENSATE RETURN UNITS SERIES CVC PRESENTATION.....	1
CONDENSATE RETURN UNITS SERIES CVC FEATURES.....	2
CONDENSATE RETURN UNITS SERIES CVC DIMENSIONS.....	4
SELECTION TABLES FOR CONDENSATE RETURN UNITS SERIES CVC.....	7

BOILER FEED UNITS SERIES BFC - BFCE

BOILER FEED UNITS SERIES BFC - BFCE PRESENTATION.....	11
BOILER FEED UNITS SERIES BFC - BFCE FEATURES.....	12
BOILER FEED UNITS SERIES BFC DIMENSIONS.....	13
BOILER FEED UNITS SERIES BFCE DIMENSIONS.....	14
SELECTION TABLES FOR BOILER FEED UNITS SERIES BFC - BFCE.....	15
INSTALLATION & OPERATION SERIES CVC & BFC.....	19

CENTRIFUGAL PUMPS SERIES GV6 FEATURES.....	20
PERFORMANCE CURVES FOR CENTRIFUGAL PUMPS SERIES GV6.....	21
CONTROL PANELS SERIES DCP - DCP-B.....	22
TYPICAL SPECIFICATIONS FOR SERIES CVC - BFC - BFCE.....	23
SUBMITTAL SHEET FOR SERIES CVC - BFC - BFCE.....	24

The FLO FAB pumping systems described in this brochure are packaged units, completely assembled, wired and tested at the manufacturing plant. They are designed to provide maximum efficiency, reliability and easy maintenance in compact, space saving configurations.

Each unit is individually factory tested before shipment to assure that the product is ready for service when it is received. Testing includes verification of flow rate, pressure, amperage draw and cut-in/cut-out points of all components.

Technical assistance. Your FLO FAB representative has the expertise to assist you in selecting the pumping system most suitable for your application. He is backed by a team of engineers and application specialists who can develop the most efficient, energy saving pumping system for your specific requirements.

Series CVC condensate pumps are used in low pressure heating systems to collect and quickly return condensate to the boiler feed unit. Their pumping action is controlled by the water level in the receiver. Simplex (S-CVC) units consist of an electric motor closed-coupled to centrifugal pump mounted on a cast iron or a welded steel storage receiver with a float operated pump control. Duplex pump units (D-CVC) are used when greater pumping capacity or back-up pump protection is required.

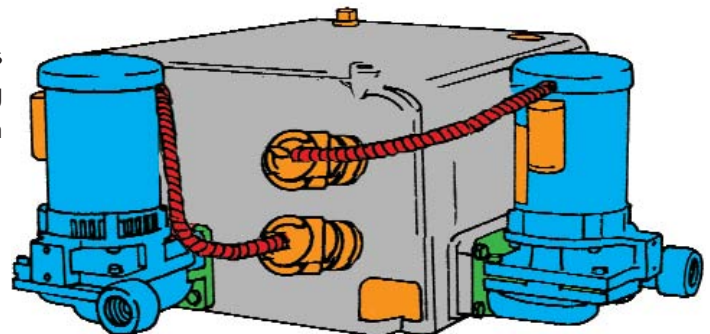
NOTE: Condensate pumps do not supply boiler system make-up water.

CONDENSATE PUMPS STANDARD EQUIPMENT

- 1) Simplex (S-CVC) units have opening blanked-off for addition of a second pump at a later date.
- 2) One float switch on Simplex (S-CVC) unit or Two float switches and electrical alternator on duplex (D-CVC) units- equalizes running time between the two pumps and provides emergency back-up in case of excessive condensate return or pump failure.
- 3) Gauge glass and thermometer

OPTIONAL EQUIPMENT

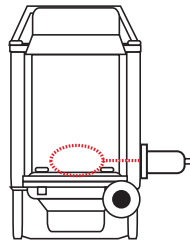
- Control panels
- Magnetic starter - mounted on unit and factory wired
- Suction isolation valve - Butterfly type
- Inlet strainers - "Y" or basket type
- Magnesium corrosion inhibitor
- Discharge pressure gauges
- Discharge check valves
- Discharge gate valves



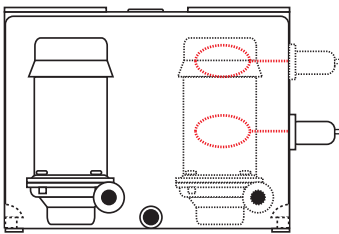
**DUPLEX (D-CVC)
CONDENSATE UNIT**



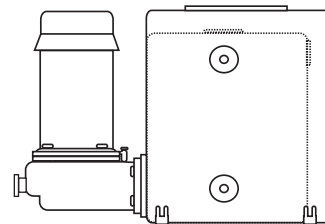
FLO FAB Condensate Units Series CVC



SIMPLEX CONDENSATE UNIT



SIMPLEX (OR DUPLEX) CONDENSATE UNIT



SIMPLEX (OR DUPLEX) CONDENSATE UNIT SIDEVIEW

CONDENSATE RETURN UNITS (ADAPTABLE TO BOILER FEED UNITS WITH MAKE-UP VALVE)

FLO FAB Simplex (S-CVC) and Duplex (D-CVC) condensate units Series CVC are designed for automatic and fast return of hot water condensation from radiators, coils, etc, to low and high pressure boilers, or for return of water or other liquids to the overhead tanks of industrial gravity circulating systems. Unlike boiler feed systems, which are controlled by a boiler mounted control and equipped with a make-up valve mechanism, condensate pumps usually do not directly supply boiler make-up water.

All units are shipped complete, ready for fast, easy installation into any system and they are precision engineered for heavy, continuous service in handling water up to 250°F (121°C). The duplex unit is designed for systems having extra heavy loads of condensate or other liquid return, or where a stand-by pump is required. Isolation valves between receiver and pump flange are available.

MECHANICAL SEAL

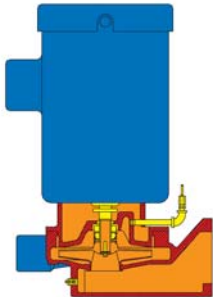
Designed especially for this service, provides leak proof operation through the full range of condensate temperatures and pump pressure. Up to 250°F (300°F also available)

SEAL PIPING

Insures continuous venting of mechanical seal and positive water circulation through the seal cavity.

IMPELLER

One piece bronze cast enclosed impeller, which produces extremely smooth water passages and resulting optimum performance. It is keyed to the shaft and held in place with stainless steel washer and self locking impeller screw.



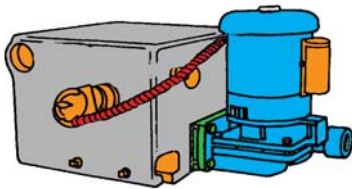
CENTRIFUGAL PUMP SERIES GV

FLO FAB CENTRIFUGAL PUMP SERIES GV

Vertically flange mounted centrifugal pumps are of bronze fitted construction with mechanical shaft seal for temperatures up to 250°F (up to 300°F also available). The pump is directly bolted to the receiver tank to provide a compact, efficient design. Seal area is automatically vented and flushed to the receiver to assure adequate lubrication at all times. Back pull-out design allows servicing without disturbing the piping. Bronze enclosed impellers are precision balanced for smooth, quiet operation. Each unit is factory assembled and tested prior to shipping.

RECEIVER TANK

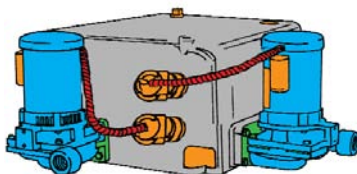
Rugged steel or cast iron receivers for life-time service under the most severe conditions. Low return inlet to provide adequate drainage of radiators with low elevation. Available in 15, 25, 35, 45, 70, 120 gallons sizes. Larger sizes are also available. Condensate receiver tanks are designed for gravity return systems only, and are not to be pressurized. Tank must be vented to atmosphere to prevent pressure build-up in the tank. Vent size shall be at least 1 1/4" diameter.



**SIMPLEX (S-CVC)
CONDENSATE UNIT**

CONTROLS

Simplex (S-CVC) systems are equipped with a heavy duty adjustable float switch and a stainless steel float and rod. Duplex (D-CVC) systems are equipped with an electrical alternator for alternating the pumps and to start the second pump if the first one fails or when flow rate exceeds capability of one pump. For boiler feed service the float switch, which is set to close contacts at low level, operates a water make-up valve. Both float switches are two pole devices with double break contacts. Control panel and magnetic starter also available.



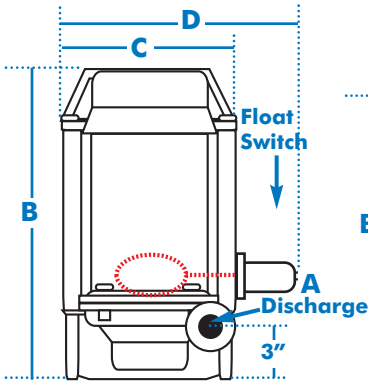
**DUPLEX (D-CVC)
CONDENSATE UNIT**

MOTORS

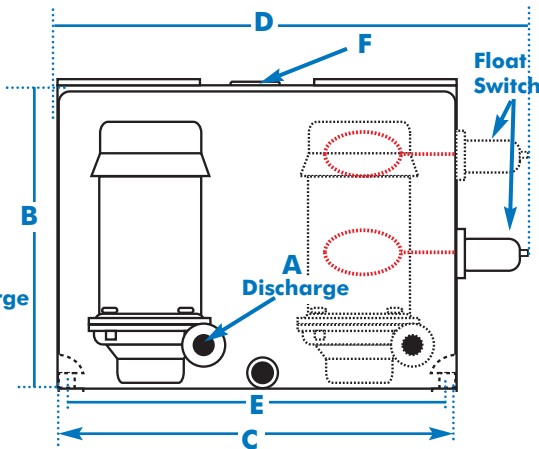
Drip proof or TEFC NEMA standard 3450 RPM motors have dual ball bearings and threaded stainless steel shaft. All single phase motors have built-in thermal overload protection. All three phase motors must be installed with a magnetic starter which provides full overload protection. Failure to use proper starter and overload protectors will void warranty. Single phase motors thru 2Hp are 115V or 230V 60Hz (50 cycles also available) and 3Hp or more are 230V only. Three phase motors are 230V, 460V or 575V 60Hz (50 cycles also available).



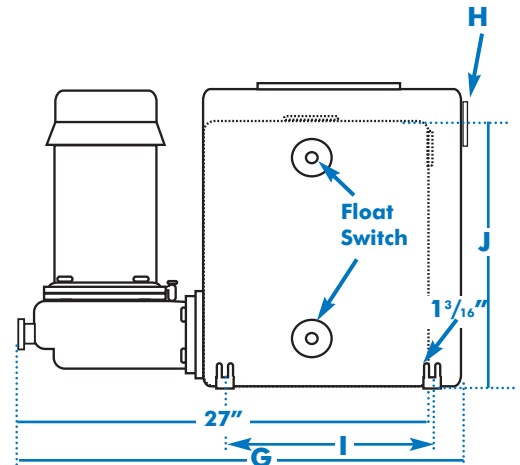
FLO FAB Condensate Units Series CVC with GV6 Pumps



**SIMPLEX CONDENSATE UNIT
CAST IRON 15 GALLONS**



**SIMPLEX (OR DUPLEX) CONDENSATE UNIT
CAST IRON 25 GALLONS OR MORE**
 [Dashed Box] = DUPLEX UNIT (2 FLOAT SWITCHES)



**SIMPLEX (OR DUPLEX) CONDENSATE UNIT SIDEVIEW
CAST IRON 25 GALLONS OR MORE**
 [Dashed Box] = SIMPLEX 15 GALLONS UNIT

Receiver Capacity	Disch. A	B	C	D	E	F	G	H	I	J
15 Gal	2 ¹ / ₂ "x1 ¹ / ₄ " 50x32 mm	16" 406.4 mm	23" 584.2 mm	31" 787.4 mm	17 ¹ / ₄ " 438.6 mm	2" 50.8 mm	27" 685.8 mm	2" 50.8 mm	12" 304.8 mm	15" 381 mm
25 Gal	2 ¹ / ₂ "x1 ¹ / ₄ " 50x32 mm	18 ³ / ₄ " 476.3 mm	34 ³ / ₄ " 882.7 mm	42 ³ / ₄ " 1086 mm	32 ³ / ₄ " 831.9 mm	2" 50.8 mm	31" 787.4 mm	3" 76.2 mm	7" 177.8 mm	15" 381 mm
35 Gal	2 ¹ / ₂ "x1 ¹ / ₄ " 50x32 mm	18 ³ / ₄ " 476.3 mm	34 ³ / ₄ " 882.7 mm	42 ³ / ₄ " 1086 mm	32 ³ / ₄ " 831.9 mm	2" 50.8 mm	36" 914.4 mm	3" 76.2 mm	12" 304.8 mm	15" 381 mm
45 Gal	2 ¹ / ₂ "x1 ¹ / ₄ " 50x32 mm	18 ³ / ₄ " 476.3 mm	38 ³ / ₄ " 984.3 mm	46 ³ / ₄ " 1187 mm	32 ¹ / ₂ " 825.5 mm	2" 50.8 mm	38" 965.2 mm	3" 76.2 mm	14" 355.6 mm	15" 381 mm
70 Gal	2 ¹ / ₂ "x1 ¹ / ₄ " 50x32 mm	18 ³ / ₄ " 476.3 mm	47 ³ / ₄ " 1213 mm	55 ³ / ₄ " 1416 mm	41 ¹ / ₂ " 1054 mm	2" 50.8 mm	42" 1067 mm	3" 76.2 mm	18" 457.2 mm	15" 381 mm
120 Gal	2 ¹ / ₂ "x1 ¹ / ₄ " 50x32 mm	20 ³ / ₄ " 527.1 mm	47 ³ / ₄ " 1213 mm	55 ³ / ₄ " 1416 mm	41 ¹ / ₂ " 1054 mm	2" 50.8 mm	54" 1372 mm	4" 101.6 mm	29" 736.6 mm	15" 381 mm

Dimensions not to be used for construction unless prints is certified by factory.

Condensate Units Series CVC with CCF/CGF/CKHF Pumps



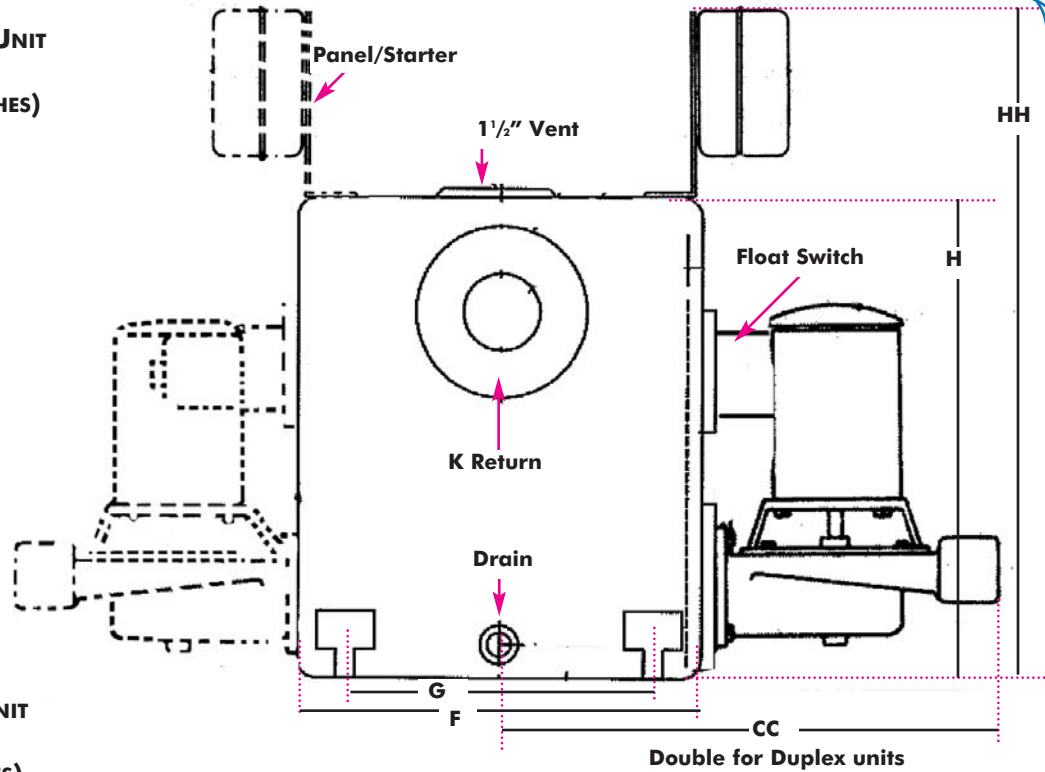
PANEL OR STARTER(S)

MOUNTED SHIPPED LOOSE

SIMPLEX (OR DUPLEX) CONDENSATE UNIT

CAST IRON 15 GALLONS OR MORE

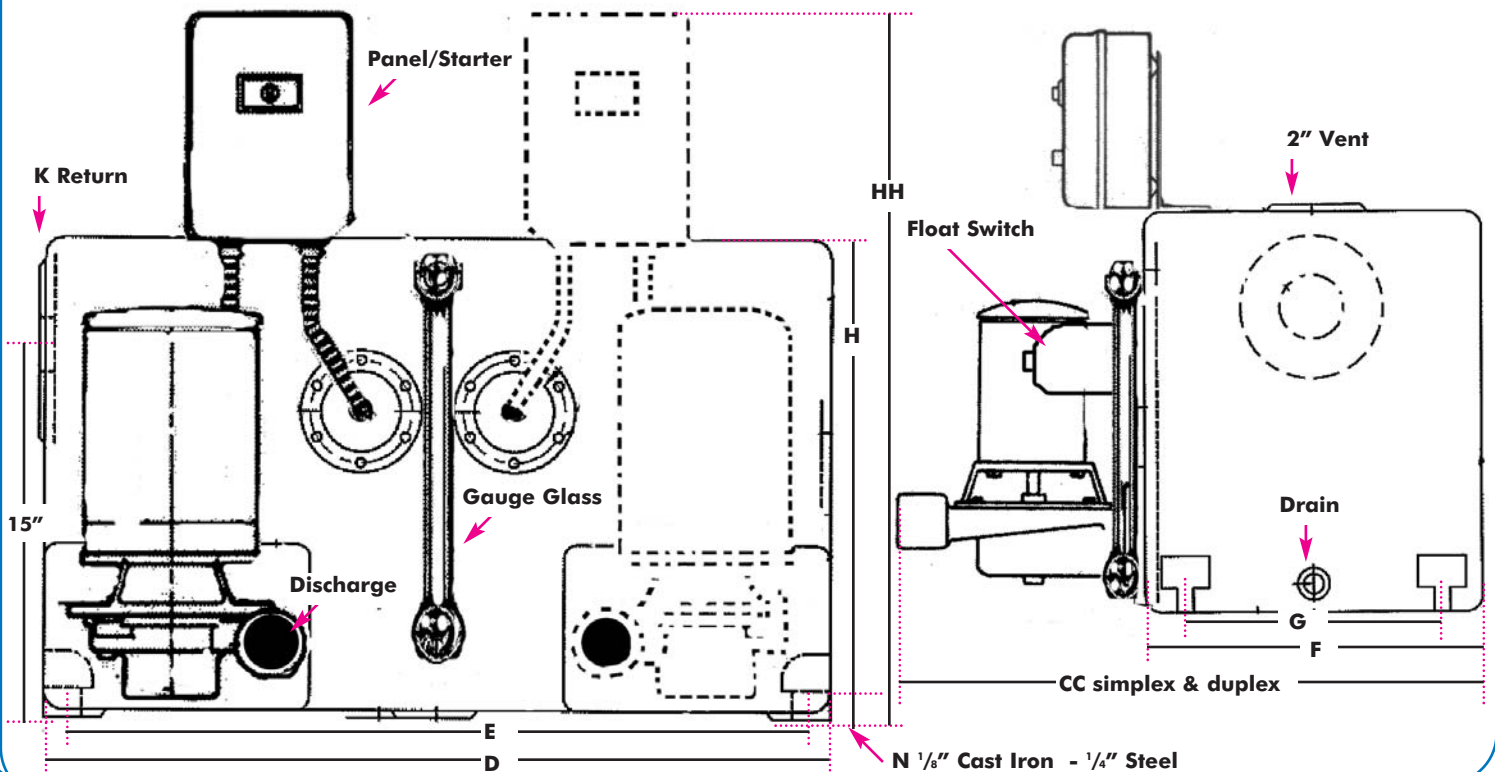
= DUPLEX UNIT (2 FLOAT SWITCHES)



SIMPLEX (OR DUPLEX) CONDENSATE UNIT

CAST IRON 25 GALLONS OR MORE

= DUPLEX UNIT (2 FLOAT SWITCHES)





FLO FAB Condensate Units Series CVC with CCF/CGF/CKHF Pumps

* SEE DRAWINGS ON PAGE 5

Receiver Capacity	Pump Models	CC	Cast Iron		Steel		F	G	H	HH	K	Drain
			D	E	D	E						
15	CC	17 ¹ / ₂ " 444.5 mm	19" 482.6 mm	13" 330.2 mm	23" 584.2 mm	17 ¹ / ₄ " 438.2 mm	13 ⁵ / ₈ " 344.2 mm	12" 304.8 mm	16" 406.4 mm	25" 635 mm	2" 50.8 mm	3/4" 19.05mm
	CG	19 ¹ / ₂ " 495.3 mm	19" 482.6 mm	13" 330.2 mm	23" 584.2 mm	17 ¹ / ₄ " 438.2 mm	13 ⁵ / ₈ " 344.2 mm	12" 304.8 mm	16" 406.4 mm	25" 635 mm	2" 50.8 mm	3/4" 19.05mm
	CK	25" 635 mm	19" 482.6 mm	13" 330.2 mm	23" 584.2 mm	17 ¹ / ₄ " 438.2 mm	13 ⁵ / ₈ " 344.2 mm	12" 304.8 mm	16" 406.4 mm	25" 635 mm	2" 50.8 mm	3/4" 19.05mm
	CKH	27" 685.8 mm	19" 482.6 mm	13" 330.2 mm	23" 584.2 mm	17 ¹ / ₄ " 438.2 mm	13 ⁵ / ₈ " 344.2 mm	12" 304.8 mm	16" 406.4 mm	25" 635 mm	2" 50.8 mm	3/4" 19.05mm
25	CC	21 ¹ / ₂ " 546.1 mm	30 ³ / ₄ " 781.1 mm	28 ¹ / ₂ " 723.9 mm	34 ³ / ₄ " 882.7 mm	32 ³ / ₄ " 831.9 mm	10 ³ / ₄ " 273.1 mm	7" 177.8 mm	18 ³ / ₄ " 476.3 mm	28" 711.2 mm	3" 76.2 mm	3/4" 19.05mm
	CG	24 ¹ / ₂ " 622.3 mm	30 ³ / ₄ " 781.1 mm	28 ¹ / ₂ " 723.9 mm	34 ³ / ₄ " 882.7 mm	32 ³ / ₄ " 831.9 mm	10 ³ / ₄ " 273.1 mm	7" 177.8 mm	18 ³ / ₄ " 476.3 mm	28" 711.2 mm	3" 76.2 mm	3/4" 19.05mm
	CK	29" 736.6 mm	30 ³ / ₄ " 781.1 mm	28 ¹ / ₂ " 723.9 mm	34 ³ / ₄ " 882.7 mm	32 ³ / ₄ " 831.9 mm	10 ³ / ₄ " 273.1 mm	7" 177.8 mm	18 ³ / ₄ " 476.3 mm	28" 711.2 mm	3" 76.2 mm	3/4" 19.05mm
	CKH	31" 787.4 mm	30 ³ / ₄ " 781.1 mm	28 ¹ / ₂ " 723.9 mm	34 ³ / ₄ " 882.7 mm	32 ³ / ₄ " 831.9 mm	10 ³ / ₄ " 273.1 mm	7" 177.8 mm	18 ³ / ₄ " 476.3 mm	28" 711.2 mm	3" 76.2 mm	3/4" 19.05mm
35	CC	26 ¹ / ₂ " 673.1 mm	30 ³ / ₄ " 781.1 mm	28 ¹ / ₂ " 723.9 mm	34 ³ / ₄ " 882.7 mm	32 ³ / ₄ " 831.9 mm	15 ³ / ₄ " 400.1 mm	12" 304.8 mm	18 ³ / ₄ " 476.3 mm	28" 711.2 mm	3" 76.2 mm	3/4" 19.05mm
	CG	29 ¹ / ₂ " 749.3 mm	30 ³ / ₄ " 781.1 mm	28 ¹ / ₂ " 723.9 mm	34 ³ / ₄ " 882.7 mm	32 ³ / ₄ " 831.9 mm	15 ³ / ₄ " 400.1 mm	12" 304.8 mm	18 ³ / ₄ " 476.3 mm	28" 711.2 mm	3" 76.2 mm	3/4" 19.05mm
	CK	34" 863.6 mm	30 ³ / ₄ " 781.1 mm	28 ¹ / ₂ " 723.9 mm	34 ³ / ₄ " 882.7 mm	32 ³ / ₄ " 831.9 mm	15 ³ / ₄ " 400.1 mm	12" 304.8 mm	18 ³ / ₄ " 476.3 mm	28" 711.2 mm	3" 76.2 mm	3/4" 19.05mm
	CKH	36" 914.4 mm	30 ³ / ₄ " 781.1 mm	28 ¹ / ₂ " 723.9 mm	34 ³ / ₄ " 882.7 mm	32 ³ / ₄ " 831.9 mm	15 ³ / ₄ " 400.1 mm	12" 304.8 mm	18 ³ / ₄ " 476.3 mm	28" 711.2 mm	3" 76.2 mm	3/4" 19.05mm
45	CC	28 ¹ / ₂ " 723.9 mm	34 ³ / ₄ " 882.7 mm	32 ¹ / ₂ " 825.5 mm	38 ³ / ₄ " 984.3 mm	36 ³ / ₄ " 933.5 mm	17 ³ / ₄ " 450.9 mm	14" 355.6 mm	18 ³ / ₄ " 476.3 mm	28" 711.2 mm	3" 76.2 mm	3/4" 19.05mm
	CG	31 ¹ / ₂ " 800.1 mm	34 ³ / ₄ " 882.7 mm	32 ¹ / ₂ " 825.5 mm	38 ³ / ₄ " 984.3 mm	36 ³ / ₄ " 933.5 mm	17 ³ / ₄ " 450.9 mm	14" 355.6 mm	18 ³ / ₄ " 476.3 mm	28" 711.2 mm	3" 76.2 mm	3/4" 19.05mm
	CK	36" 914.4 mm	34 ³ / ₄ " 882.7 mm	32 ¹ / ₂ " 825.5 mm	38 ³ / ₄ " 984.3 mm	36 ³ / ₄ " 933.5 mm	17 ³ / ₄ " 450.9 mm	14" 355.6 mm	18 ³ / ₄ " 476.3 mm	28" 711.2 mm	3" 76.2 mm	3/4" 19.05mm
	CKH	38" 965.2 mm	34 ³ / ₄ " 882.7 mm	32 ¹ / ₂ " 825.5 mm	38 ³ / ₄ " 984.3 mm	36 ³ / ₄ " 933.5 mm	17 ³ / ₄ " 450.9 mm	14" 355.6 mm	18 ³ / ₄ " 476.3 mm	28" 711.2 mm	3" 76.2 mm	3/4" 19.05mm
70	CC	32 ¹ / ₂ " 825.5 mm	43 ³ / ₄ " 1111 mm	41 ¹ / ₂ " 1054 mm	47 ³ / ₄ " 1213 mm	45 ³ / ₄ " 1162 mm	21 ³ / ₄ " 552.5 mm	18" 457.2 mm	18 ³ / ₄ " 476.3 mm	28" 711.2 mm	3" 76.2 mm	1 ¹ / ₄ " 31.75mm
	CG	35 ¹ / ₂ " 901.7 mm	43 ³ / ₄ " 1111 mm	41 ¹ / ₂ " 1054 mm	47 ³ / ₄ " 1213 mm	45 ³ / ₄ " 1162 mm	21 ³ / ₄ " 552.5 mm	18" 457.2 mm	18 ³ / ₄ " 476.3 mm	28" 711.2 mm	3" 76.2 mm	1 ¹ / ₄ " 31.75mm
	CK	40" 1016 mm	43 ³ / ₄ " 1111 mm	41 ¹ / ₂ " 1054 mm	47 ³ / ₄ " 1213 mm	45 ³ / ₄ " 1162 mm	21 ³ / ₄ " 552.5 mm	18" 457.2 mm	18 ³ / ₄ " 476.3 mm	28" 711.2 mm	3" 76.2 mm	1 ¹ / ₄ " 31.75mm
	CKH	42" 1067 mm	43 ³ / ₄ " 1111 mm	41 ¹ / ₂ " 1054 mm	47 ³ / ₄ " 1213 mm	45 ³ / ₄ " 1162 mm	21 ³ / ₄ " 552.5 mm	18" 457.2 mm	18 ³ / ₄ " 476.3 mm	28" 711.2 mm	3" 76.2 mm	1 ¹ / ₄ " 31.75mm
120	CC	44 ¹ / ₂ " 1130 mm	43 ³ / ₄ " 1111 mm	41 ¹ / ₂ " 1054 mm	47 ³ / ₄ " 1213 mm	45 ³ / ₄ " 1162 mm	32 ³ / ₄ " 831.9 mm	29" 736.6 mm	20 ³ / ₄ " 527.1 mm	30" 762 mm	4" 102 mm	1 ¹ / ₄ " 31.75mm
	CG	47 ¹ / ₂ " 1207 mm	43 ³ / ₄ " 1111 mm	41 ¹ / ₂ " 1054 mm	47 ³ / ₄ " 1213 mm	45 ³ / ₄ " 1162 mm	32 ³ / ₄ " 831.9 mm	29" 736.6 mm	20 ³ / ₄ " 527.1 mm	30" 762 mm	4" 102 mm	1 ¹ / ₄ " 31.75mm
	CK	52" 1321 mm	43 ³ / ₄ " 1111 mm	41 ¹ / ₂ " 1054 mm	47 ³ / ₄ " 1213 mm	45 ³ / ₄ " 1162 mm	32 ³ / ₄ " 831.9 mm	29" 736.6 mm	20 ³ / ₄ " 527.1 mm	30" 762 mm	4" 102 mm	1 ¹ / ₄ " 31.75mm
	CKH	54" 1372 mm	43 ³ / ₄ " 1111 mm	41 ¹ / ₂ " 1054 mm	47 ³ / ₄ " 1213 mm	45 ³ / ₄ " 1162 mm	32 ³ / ₄ " 831.9 mm	29" 736.6 mm	20 ³ / ₄ " 527.1 mm	30" 762 mm	4" 102 mm	1 ¹ / ₄ " 31.75mm

Condensate Unit Selection Tables



IDENTIFICATION: _____ VOLTS / _____ HP / _____ HZ

* USING CLOSED COUPLED SERIES GV6 ONLY.

MODEL SPECIFICATIONS

EX: **D** - **CVC** - **1010** - **15**

S = SIMPLEX
D = DUPLEX

UNIT TYPE
CVC = CONDENSATE
BFC = BOILER FEED
BFCE = ELEVATED BOILER FEED

RECEIVER SIZES

EDR & PSI
 Ex: E.D.R.=10,000 (10)
 PSI = 10

ENGINEERING EQUIVALENTS

1,000 Sq. Ft. E.D.R. = 240,000BTU /HR.
 1,000 Sq. Ft. E.D.R. = 247 LBS WATER EVAP. /HR.
 1,000 Sq. Ft. E.D.R. = 1/2 GAL WATER EVAP /MIN.

1 Sq. Ft. E.D.R. = 240 BTU /HR. (STEAM)
 1 Sq. Ft. E.D.R. = 1/4 LBS WATER EVAP. /HR.

1 BOILER HP = 33,475 BTU /HR. (STEAM)
 1 BOILER HP = 34.5 LBS WATER EVAP. /HR. (212°F)
 1 BOILER HP = .069 GAL WATER EVAP. /MIN.
 1 BOILER HP = 140 Sq. Ft. E.D.R. (STEAM)
 1 BOILER HP = 222 Sq. Ft. E.D.R. (WATER)

1 US GALLON = 231 CU. INCHES

1 LBS = 2.31 FT. OF WATER

Unit Model Number	Boiler Hp	Pump USGPM	Tank Capa. Gallons	Pump Disch Press. PSI	3450 RPM	
	E.D.R (sq. ft)				Motor Hp	Imp. Dia (in)
<input type="checkbox"/> Simplex <input type="checkbox"/> Duplex	BTUH (1000's)					
CVC - 0210	Hp 14	3	15	10	1/4	2.52
CVC - 0215				15	1/3	2.98
CVC - 0220	EDR 2,000			20	1/2	3.42
CVC - 0230				30	1/2	4.18
CVC - 0240				40	3/4	4.83
CVC - 0250	BTUH 490			50	1	5.40
CVC - 0255		55	1 1/2	5.63		
CVC - 0410	Hp 29	6	15	10	1/4	2.52
CVC - 0415				15	1/3	2.98
CVC - 0420	EDR 4,000			20	1/3	3.42
CVC - 0430				30	1/2	4.19
CVC - 0440				40	3/4	4.83
CVC - 0450	BTUH 990			50	1	5.40
CVC - 0455		55	1 1/2	5.70		
CVC - 0610	Hp 43	9	15	10	1/3	2.53
CVC - 0615				15	1/3	2.99
CVC - 0620	EDR 6,000			20	1/3	3.42
CVC - 0630				30	1/2	4.19
CVC - 0640				40	3/4	4.83
CVC - 0650	BTUH 1,480			50	1	5.40
CVC - 0655		55	1 1/2	5.68		
CVC - 0810	Hp 57	12	15	10	1/3	2.53
CVC - 0815				15	1/3	2.99
CVC - 0820	EDR 8,000			20	1/3	3.43
CVC - 0830				30	3/4	4.19
CVC - 0840				40	1	4.84
CVC - 0850	BTUH 1,975			50	1 1/2	5.41
CVC - 0855		55	1 1/2	5.68		
CVC - 1010	Hp 72	15	15	10	1/3	2.55
CVC - 1015				15	1/3	3.00
CVC - 1020	EDR 10,000			20	1/3	3.43
CVC - 1030				30	3/4	4.20
CVC - 1040				40	3/4	4.84
CVC - 1050	BTUH 2,470			50	1 1/2	5.41
CVC - 1055		55	1 1/2	5.68		

Dimensions not to be used for construction unless prints is certified by factory.



FLO FAB Condensate Unit Selection Tables

IDENTIFICATION: _____ VOLTS / _____ Hp / _____ Hz

*** USING CLOSED COUPLED SERIES GV6 ONLY.**

Unit Model Number <input type="checkbox"/> Simplex <input type="checkbox"/> Duplex	Boiler Hp	Pump USGPM	Tank Capa. Gallons	Pump Disch Press. PSI	3450 RPM		Unit Model Number <input type="checkbox"/> Simplex <input type="checkbox"/> Duplex	Boiler Hp	Pump USGPM	Tank Capa. Gallons	Pump Disch Press. PSI	3450 RPM	
	E.D.R (sq. ft)				Motor Hp	Imp. Dia (in)		E.D.R (sq. ft)				Motor Hp	Imp. Dia (in)
	BTUH (1000's)							BTUH (1000's)					
CVC - 1510	Hp 108	22 1/2	25	10	1/3	2.62	CVC - 5010	75	70	N/A			
CVC - 1515				15	1/3	3.05	CVC - 5015						
CVC - 1520				EDR 15,000	20	1/2	3.47						CVC - 5020
CVC - 1530					30	3/4	4.22						CVC - 5030
CVC - 1540				BTUH 3,600	40	1	4.86						CVC - 5040
CVC - 1550					50	1 1/2	5.42						CVC - 5050
CVC - 1555	55	1 1/2	5.70		CVC - 5055								
CVC - 2010	Hp 143	30	25	10	1/3	2.66	CVC - 6510	97 1/2	70	N/A			
CVC - 2015				15	1/3	3.15	CVC - 6515						
CVC - 2020				EDR 20,000	20	1/2	3.55						CVC - 6520
CVC - 2030					30	3/4	4.27						CVC - 6530
CVC - 2040				BTUH 4,940	40	1	4.89						CVC - 6540
CVC - 2050					50	1 1/2	5.45						CVC - 6550
CVC - 2055	55	2	5.68		CVC - 6555								
CVC - 2510	Hp 179	37 1/2	35	10	1/3	2.94	CVC - 7510	112 1/2	70	N/A			
CVC - 2515				15	1/2	3.30	CVC - 7515						
CVC - 2520				EDR 25,000	20	1/2	3.67						CVC - 7520
CVC - 2530					30	1	4.35						CVC - 7530
CVC - 2540				BTUH 6,170	40	1 1/2	4.95						CVC - 7540
CVC - 2550					50	2	5.50						CVC - 7550
CVC - 2555	55	2	5.68		CVC - 7555								
CVC - 3010	Hp 215	45	35	10	--	--	CVC - 10010	150	120	N/A			
CVC - 3015				15	1/2	3.50	CVC - 10015						
CVC - 3020				EDR 30,000	20	3/4	3.83						CVC - 10020
CVC - 3030					30	1	4.46						CVC - 10030
CVC - 3040				BTUH 7,400	40	1 1/2	5.04						CVC - 10040
CVC - 3050					50	2	5.57						CVC - 10050
CVC - 3055	55	--	--		CVC - 10055								
CVC - 4010	Hp 285	60	45	10	--	--							
CVC - 4015				15	--	--							
CVC - 4020				EDR 40,000	20	1	4.35						
CVC - 4030					30	1 1/2	4.79						
CVC - 4040				BTUH 9,880	40	2	5.31						
CVC - 4050					50	2	5.68						
CVC - 4055	55	--	--										

Dimensions not to be used for construction unless prints is certified by factory.

Selection Tables Series CCF-CGF-CKHF

Unit Model Number	Boiler Hp		Pump USGPM	Tank Capa. Gallons	Pump Disch. PSI	Motor Hp		Pump Size & type	
	E.D.R (sq. ft)	BTUH (1000's)				3450 RPM	1750 RPM	3450 RPM	1750 RPM
CVC - 0210	Hp 14	EDR 2,000	3	15	10	1/3	1/4	1 1/4 CCF	1 1/4 CCF
CVC - 0215					15	1/3	1/3	1 1/4 CCF	1 1/4 CCF
CVC - 0220					20	1/3	1/2	1 1/4 CCF	1 CGF
CVC - 0230					30	1/2	1	1 1/4 CCF	1 1/2 CKF
CVC - 0240					40	3/4	2	1 1/4 CCF	1 1/2 CKF
CVC - 0250					50	1	3	1 1/4 CCF	2 CKHF
CVC - 0260					60	1 1/2	5	1 CGF	2 CKHF
CVC - 0270					70	2	7 1/2	1 CGF	2 CKHF
CVC - 0280					80	3	--	1 CGF	--
CVC - 0410	Hp 29	EDR 4,000	6	15	10	1/3	1/4	1 1/4 CCF	1 1/4 CCF
CVC - 0415					15	1/3	1/3	1 1/4 CCF	1 1/4 CCF
CVC - 0420					20	1/3	1/2	1 1/4 CCF	1 CGF
CVC - 0430					30	1/2	1	1 1/4 CCF	1 1/2 CKF
CVC - 0440					40	3/4	2	1 1/4 CCF	1 1/2 CKF
CVC - 0450					50	1	3	1 1/4 CCF	2 CKHF
CVC - 0460					60	1 1/2	5	1 CGF	2 CKHF
CVC - 0470					70	2	7 1/2	1 CGF	2 CKHF
CVC - 0480					80	3	--	1 CGF	--
CVC - 0610	Hp 43	EDR 6,000	9	15	10	1/3	1/4	1 1/4 CCF	1 1/4 CCF
CVC - 0615					15	1/3	1/3	1 1/4 CCF	1 1/4 CCF
CVC - 0620					20	1/3	1/2	1 1/4 CCF	1 CGF
CVC - 0630					30	1/2	1	1 1/4 CCF	1 1/2 CKF
CVC - 0640					40	3/4	2	1 1/4 CCF	1 1/2 CKF
CVC - 0650					50	1	3	1 1/4 CCF	2 CKHF
CVC - 0660					60	1 1/2	5	1 CGF	2 CKHF
CVC - 0670					70	2	7 1/2	1 CGF	2 CKHF
CVC - 0680					80	3	--	1 CGF	--
CVC - 0810	Hp 57	EDR 8,000	12	15	10	1/3	1/4	1 1/4 CCF	1 1/4 CCF
CVC - 0815					15	1/3	1/3	1 1/4 CCF	1 1/4 CCF
CVC - 0820					20	1/3	1/2	1 1/4 CCF	1 CGF
CVC - 0830					30	1/2	1	1 1/4 CCF	1 1/2 CKF
CVC - 0840					40	3/4	2	1 1/4 CCF	1 1/2 CKF
CVC - 0850					50	1	3	1 1/4 CCF	2 CKHF
CVC - 0860					60	1 1/2	5	1 CGF	2 CKHF
CVC - 0870					70	2	7 1/2	1 CGF	2 CKHF
CVC - 0880					80	3	--	1 CGF	--
CVC - 1010	Hp 72	EDR 10,000	15	15	10	1/3	1/4	1 1/4 CCF	1 1/4 CCF
CVC - 1015					15	1/3	1/3	1 1/4 CCF	1 1/4 CCF
CVC - 1020					20	1/3	1/2	1 1/4 CCF	1 CGF
CVC - 1030					30	1/2	1	1 1/4 CCF	1 1/2 CKF
CVC - 1040					40	3/4	2	1 1/4 CCF	1 1/2 CKF
CVC - 1050					50	1	3	1 1/4 CCF	2 CKHF
CVC - 1060					60	1 1/2	5	1 CGF	2 CKHF
CVC - 1070					70	2	7 1/2	1 CGF	2 CKHF
CVC - 1080					80	3	--	1 CGF	--
CVC - 1510	Hp 108	EDR 15,000	22 1/2	25	10	1/3	1/4	1 1/4 CCF	1 1/4 CCF
CVC - 1515					15	1/3	1/3	1 1/4 CCF	1 1/4 CCF
CVC - 1520					20	1/3	1/2	1 1/4 CCF	1 CGF
CVC - 1530					30	1/2	1	1 1/4 CCF	1 1/2 CKF
CVC - 1540					40	3/4	2	1 1/4 CCF	1 1/2 CKF
CVC - 1550					50	1	3	1 1/4 CCF	2 CKHF
CVC - 1560					60	2	5	1 CGF	2 CKHF
CVC - 1570					70	3	7 1/2	1 CGF	2 CKHF
CVC - 1580					80	3	--	1 CGF	--
CVC - 2010	Hp 143	EDR 20,000	30	25	10	1/3	1/4	1 1/4 CCF	1 1/4 CCF
CVC - 2015					15	1/3	1/3	1 1/4 CCF	1 CGF
CVC - 2020					20	1/2	3/4	1 1/4 CCF	1 CGF
CVC - 2030					30	3/4	1 1/2	1 1/4 CCF	1 1/2 CKF
CVC - 2040					40	1	2	1 1/4 CCF	1 1/2 CKF
CVC - 2050					50	1 1/2	3	1 1/4 CCF	2 CKHF
CVC - 2060					60	2	5	1 CGF	2 CKHF
CVC - 2070					70	3	7 1/2	1 CGF	2 CKHF
CVC - 2080					80	3	--	1 CGF	--
CVC - 2510	Hp 179	EDR 25,000	37 1/2	35	10	1/3	1/4	1 1/4 CCF	1 1/4 CCF
CVC - 2515					15	1/3	1/3	1 1/4 CCF	1 1/4 CCF
CVC - 2520					20	1/2	3/4	1 1/4 CCF	1 CGF
CVC - 2530					30	3/4	1 1/2	1 1/4 CCF	1 1/2 CKF
CVC - 2540					40	1	2	1 1/4 CCF	1 1/2 CKF
CVC - 2550					50	2	3	1 1/2 CGF	2 CKHF
CVC - 2560					60	3	5	1 CGF	2 CKHF
CVC - 2570					70	5	7 1/2	1 CGF	2 CKHF
CVC - 2580					80	5	--	1 CGF	--
CVC - 3010	Hp 215	EDR 30,000	45	35	10	1/3	1/4	1 1/4 CCF	1 1/4 CCF
CVC - 3015					15	1/2	3/4	1 1/4 CCF	1 CGF
CVC - 3020					20	1/2	1	1 1/4 CCF	1 1/2 CGF
CVC - 3030					30	3/4	1 1/2	1 1/4 CCF	1 1/2 CKF
CVC - 3040					40	1 1/2	2	1 1/4 CCF	1 1/2 CKF
CVC - 3050					50	2	3	1 CGF	2 CKHF
CVC - 3060					60	3	5	1 CGF	2 CKHF
CVC - 3070					70	5	7 1/2	1 CGF	2 CKHF
CVC - 3080					80	5	--	1 CGF	--
CVC - 4010	Hp 285	EDR 40,000	60	45	10	1/2	1/2	1 1/4 CCF	1 1/2 CGF
CVC - 4015					15	3/4	3/4	1 1/4 CCF	1 1/2 CGF
CVC - 4020					20	3/4	1	1 1/4 CCF	1 1/2 CGF
CVC - 4030					30	1	2	1 1/4 CCF	1 1/2 CKF
CVC - 4040					40	1 1/2	3	1 1/4 CCF	1 1/2 CKF
CVC - 4050					50	3	5	1 1/2 CGF	2 CKHF
CVC - 4060					60	3	5	1 CGF	2 CKHF
CVC - 4070					70	5	7 1/2	1 CGF	2 CKHF
CVC - 4080					80	5	--	1 CGF	--



Unit Model Number	Boiler Hp	Pump USGPM	Tank Capa. Gallons	Pump Disch Press. PSI	Motor Hp		Pump Disch. Size & type	
	E.D.R (sq. ft)				3450 RPM	1750 RPM	3450 RPM	1750 RPM
	BTUH (1000's)							
<input type="checkbox"/> Simplex <input type="checkbox"/> Duplex								
CVC - 5010	Hp 358 EDR 50,000 BTUH 12,000	75	70	10	³ / ₄	³ / ₄	1 1/2 CCF	1 1/2 CGF
CVC - 5015				15	³ / ₄	1	1 1/2 CCF	1 1/2 CGF
CVC - 5020				20	1	1 1/2	1 1/2 CCF	1 1/2 CGF
CVC - 5030				30	1 1/2	2	1 1/2 CCF	1 1/2 CKF
CVC - 5040				40	2	3	1 1/2 CGF	1 1/2 CKF
CVC - 5050				50	3	5	1 1/2 CGF	2 CKHF
CVC - 5060				60	5	7 1/2	1 1/2 CGF	2 CKHF
CVC - 5070				70	5	7 1/2	1 CGF	2 CKHF
CVC - 5080				80	5	--	1 CGF	--
CVC - 6510				Hp 450 EDR 65,000 BTUH 15,000	97 1/2	70	10	1
CVC - 6515	15	1 1/2	1				1 1/2 CCF	1 1/2 CGF
CVC - 6520	20	1 1/2	1 1/2				1 1/2 CCF	1 1/2 CGF
CVC - 6530	30	2	3				1 1/2 CCF	1 1/2 CKF
CVC - 6540	40	3	3				1 1/2 CCF	1 1/2 CKF
CVC - 6550	50	5	5				1 1/2 CGF	2 CKHF
CVC - 6560	60	7 1/2	7 1/2				1 1/2 CGF	2 CKHF
CVC - 6570	70	7 1/2	10				1 1/2 CGF	2 CKHF
CVC - 6580	80	10	--				1 1/2 CGF	--
CVC - 7510	Hp 538 EDR 75,000 BTUH 18,000	112 1/2	70				10	1
CVC - 7515				15	1 1/2	1	1 1/2 CCF	1 1/2 CGF
CVC - 7520				20	2	1 1/2	1 1/2 CCF	1 1/2 CGF
CVC - 7530				30	3	3	1 1/2 CGF	1 1/2 CKF
CVC - 7540				40	5	5	1 1/2 CGF	2 CKF
CVC - 7550				50	5	7 1/2	1 1/2 CGF	2 CKHF
CVC - 7560				60	7 1/2	10	1 1/2 CGF	2 CKHF
CVC - 7570				70	10	15	1 1/2 CGF	2 CKHF
CVC - 7580				80	10	--	1 1/2 CGF	--
CVC - 10010				Hp 717 EDR 100,000 BTUH 24,700	150	120	10	1 1/2
CVC - 10015	15	2	1 1/2				1 1/2 CGF	2 CGF
CVC - 10020	20	3	2				2 CGF	2 CGF
CVC - 10030	30	5	3				2 CGF	2 CKF
CVC - 10040	40	7 1/2	5				2 CGF	2 CKF
CVC - 10050	50	7 1/2	7 1/2				2 CGF	2 CKHF
CVC - 10060	60	10	10				2 CGF	2 CKHF
CVC - 10070	70	10	15				1 1/2 CGF	2 CKHF
CVC - 10080	80	10	--				1 1/2 CGF	--

Dimensions not to be used for construction unless prints is certified by factory.

The FLO FAB pumping systems described in this brochure are packaged units, completely assembled, wired and tested at the manufacturing plant. They are designed to provide maximum efficiency, reliability and easy maintenance in compact, space saving configurations.

Each unit is individually factory tested before shipment to assure that the product is ready for service when it is received. Testing includes verification of flow rate, pressure, amperage draw and cut-in/cut-out points of all components.

Technical assistance. Your FLO FAB representative has the expertise to assist you in selecting the pumping system most suitable for your application. He is backed by a team of engineers and application specialists who can develop the most efficient, energy saving pumping system for your specific requirements.

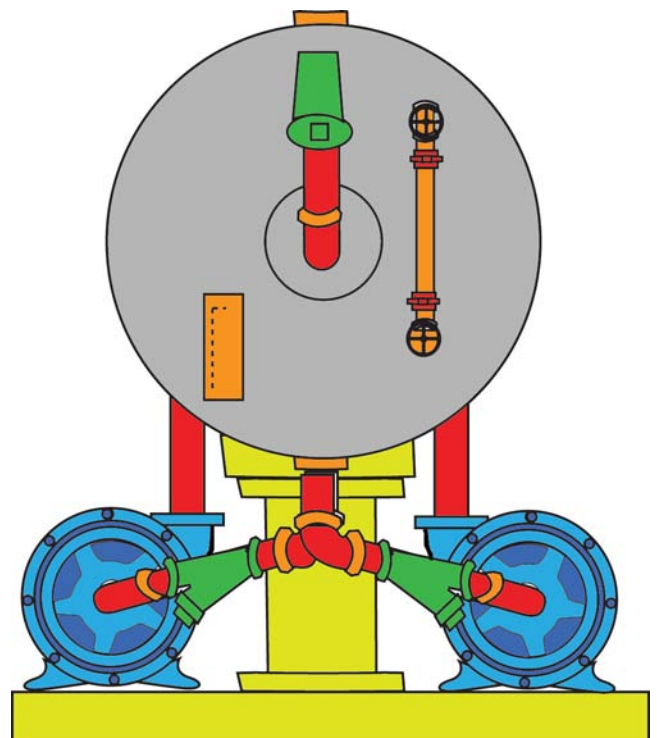
Series BFC and BFCE boiler feed pumps are used to pump and precisely control the condensate and make-up water required by the boiler(s) in low pressure steam applications. Pumping action is controlled by the fluid level in the boiler. They consist of a welded steel storage receiver equipped with make-up valve and one or more centrifugal pump(s) which are closed-coupled to an electric motor.

BOILER FEED OR MAKE-UP PUMPS STANDARD EQUIPMENT

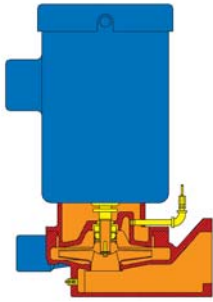
- 1) Float operated make-up valve.
- 2) Gauge glass and thermometer
- 3) Suction isolation Butterfly valve(s) (on BFCE units only)
- 4) Inlet strainer(s) - "Y" (on BFCE units only)
- 5) Metal flexible (on BFCE units only)

OPTIONAL EQUIPMENT

- Control panels
- Make-up feeders - external type, or reverse acting float switch and solenoid valve type
- Solenoid operated make-up valve with float switch
- Magnesium corrosion inhibitor
- Three valve bypass and inlet strainer assembly
- Feedwater preheaters (Steam Injectors)
- Discharge pressure gauges
- Discharge check valves
- Discharge gate valves
- Discharge butterfly valves



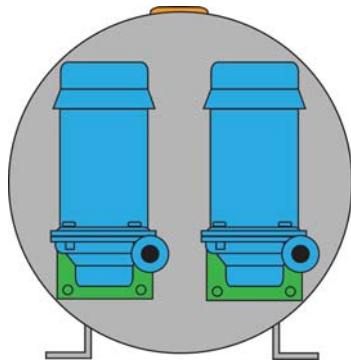
**DUPLEX (D-BFCE)
ELEVATED BOILER FEED UNIT**



CENTRIFUGAL PUMP SERIES GV

FLO FAB CENTRIFUGAL PUMP SERIES GV

Vertically flange mounted centrifugal pumps are of bronze fitted construction with mechanical shaft seal for temperatures up to 250°F (up to 300°F also available). The pump is directly bolted to the receiver tank to provide a compact, efficient design. Seal area is automatically vented and flushed to the receiver to assure adequate lubrication at all times. Back pull-out design allows servicing without disturbing the piping. Bronze enclosed impellers are precision balanced for smooth, quiet operation. Each unit is factory assembled and tested prior to shipping.



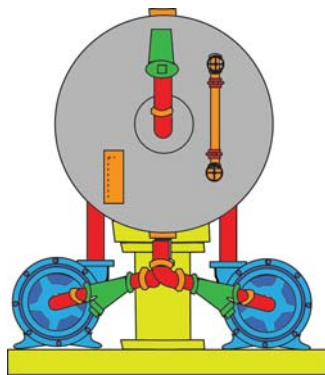
DUPLEX (D-BFC) BOILER FEED UNIT

RECEIVER TANK

Rugged steel or cast iron receivers for life-time service under the most severe conditions. Low return inlet to provide adequate drainage of radiators with low elevation. Available in 50, 70, 120, 210, 300 gallons sizes. Larger sizes are also available. Condensate receiver tanks are designed for gravity return systems only, and are not to be pressurized. Tank must be vented to atmosphere to prevent pressure build-up in the tank. Vent size shall be at least 1 1/4" diameter.

CONTROLS

Simplex (S-BFC or S-BFCE) systems are equipped with a heavy duty adjustable float switch and a stainless steel float and rod. Duplex (D-BFC or D-BFCE) systems are equipped with an electrical alternator for alternating the pumps and to start the second pump if the first one fails or when flow rate exceeds capability of one pump. For boiler feed service the float switch, which is set to close contacts at low level, operates a water make-up valve. Both float switches are two pole devices with double break contacts. Control panel and magnetic starter also available.



**DUPLEX (D-BFCE)
ELEVATED BOILER FEED UNIT**

MOTORS

Drip proof or TEFC NEMA standard 3450 RPM motors have dual ball bearings and threaded stainless steel shaft. All single phase motors have built-in thermal overload protection. All three phase motors must be installed with a magnetic starter which provides full overload protection. Failure to use proper starter and overload protectors will void warranty. Single phase motors thru 2Hp are 115 V or 230 V 60Hz (50 cycles also available) and 3Hp or more are 230 V only. Three phase motors are 230 V, 460 V or 575 V 60Hz (50 cycles also available).

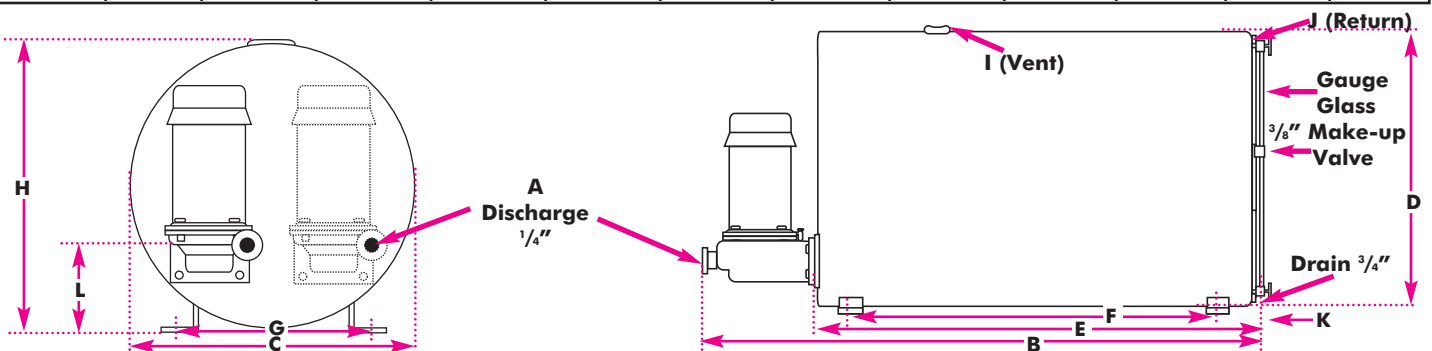
BOILER FEED UNITS SERIES BFC

FLO FAB Series BFC boiler feed units are used to pump condensate and make-up water directly into the boiler(s). Pumping action is determined by a boiler mounted control which senses boiler water level requirements. Each boiler feed unit is equipped with a heavy duty make-up valve actuated by the position of its seamless float within the receiver. The mechanism is readily adjustable for various water levels. It is mounted on the end of the receiver and can be easily removed as a complete unit.

Simplex (S-BFC) or duplex (D-BFC) units are available with cylindrical welded steel receivers in 50, 70, 120, 210, 300 gallon capacities. Simplex (S-BFC) units are also available mounted on duplex receivers to provide the option for conversion to a duplex (D-BFC) unit at a future requirement. Standard equipment also includes a water level gauge glass and a stem thermometer. When ordering, specify model number and required voltage.

NOTE: Larger units available on request.

Receiver Size	Unit Type	B	C	D	E	F	G	H	I	J	K	L
50 Gallons	S-BFC	49"	22"	22"	37"	33"	18"	21"	2"	2"	4"	7 ³ / ₁₆ "
	D-BFC	1244.6 mm	558.8 mm	558.8 mm	939.8 mm	838.2 mm	457.2 mm	533.4 mm	50.8 mm	50.8 mm	101.6 mm	182.9 mm
70 Gallons	S-BFC	47"	24"	24"	37"	31"	22"	25"	2"	2"	4"	6 ⁷ / ₈ "
	D-BFC	1193.8 mm	609.6 mm	609.6 mm	939.8 mm	787.4 mm	558.8 mm	635 mm	50.8 mm	50.8 mm	101.6 mm	172.7 mm
120 Gallons	S-BFC	56"	28"	28"	46"	40"	26"	29"	2 ¹ / ₂ "	2 ¹ / ₂ "	4"	6 ³ / ₈ "
	D-BFC	1422.4 mm	711.2 mm	711.2 mm	1168.4 mm	1016 mm	660.4 mm	736.6 mm	63.5 mm	63.5 mm	101.6 mm	162.6 mm
210 Gallons	S-BFC	81"	30"	30"	71"	65"	28"	31"	2 ¹ / ₂ "	2 ¹ / ₂ "	4"	6 ³ / ₈ "
	D-BFC	2057.4 mm	762 mm	762 mm	1803.4 mm	1651 mm	711.2 mm	787.4 mm	63.5 mm	63.5 mm	101.6 mm	162.6 mm
300 Gallons	S-BFC	82"	36"	36"	72"	60"	32"	39"	3"	3"	6"	6 ³ / ₈ "
	D-BFC	2082.8 mm	914.4 mm	914.4 mm	1828.8 mm	1524 mm	812.8 mm	990.6 mm	76.2 mm	76.2 mm	152.4 mm	162.6 mm



Dimensions not to be used for construction unless prints is certified by factory.

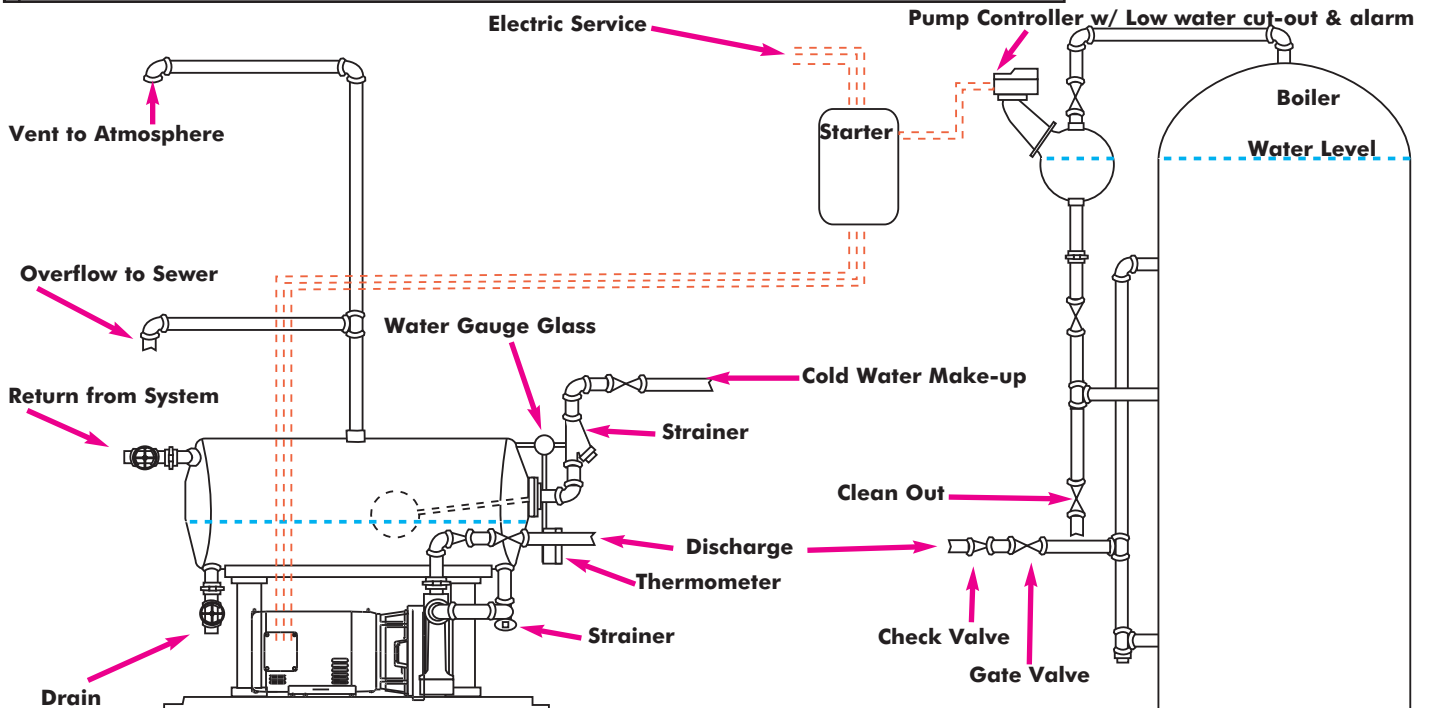
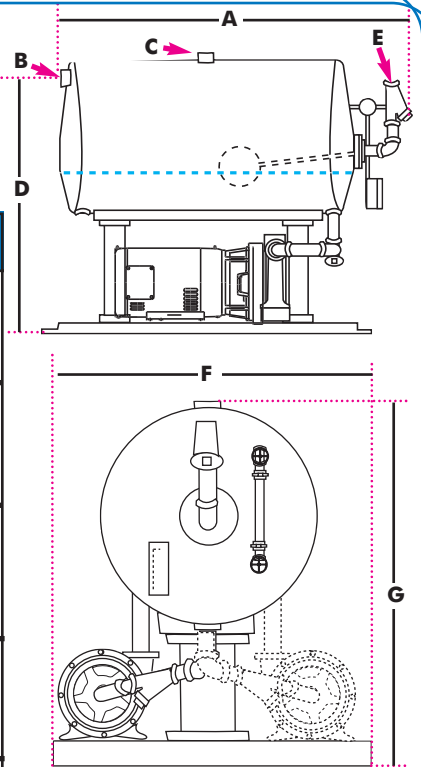


FLO FAB Elevated Boiler Feed Units Series BFCE

ELEVATED BOILER FEED UNITS SERIES BFCE

All the same features as the regular boiler feed units series BFC. The BFCE also includes suction isolation butterfly valve(s), inlet "Y" strainer(s) and metal flexible(s) at pump inlet(s). The elevated boiler feed units series BFCE may be an option for small space location that requires special installation. The pump(s) and motor(s) are installed beside or under the tank instead of at the end(s) for a more compact, shorter design.

Receiver Size	Unit Type	A	B	C	D	E	F	G
50 Gallons	S-BFCE	44"	2"	2"	45"	3/4"	36"	50"
	D-BFCE	1117.6 mm	50.8 mm	50.8 mm	1143 mm	19.05 mm	914.4 mm	1270 mm
70 Gallons	S-BFCE	44"	2"	2"	47"	3/4"	36"	52"
	D-BFCE	1117.6 mm	50.8 mm	50.8 mm	1193.8 mm	19.05 mm	914.4 mm	1320.8 mm
120 Gallons	S-BFCE	53"	2 1/2"	2 1/2"	50"	3/4"	36"	56"
	D-BFCE	1346.2 mm	63.5 mm	63.5 mm	1270 mm	19.05 mm	914.4 mm	1422.4 mm
210 Gallons	S-BFCE	78"	2 1/2"	2 1/2"	52"	3/4"	36"	58"
	D-BFCE	1981.2 mm	63.5 mm	63.5 mm	1320.8 mm	19.05 mm	914.4 mm	1473.2 mm
300 Gallons	S-BFC	79"	3"	3"	66"	3/4"	42"	72"
	D-BFC	2006.6 mm	76.2 mm	76.2 mm	1676.4 mm	19.05 mm	1066.8 mm	1828.8 mm



Boiler Feed Unit Selection Tables (3450 RPM)



IDENTIFICATION: _____ VOLTS / _____ HP / _____ HZ

* USING CLOSED COUPLED SERIES GV6 OR SERIES 1000 PUMPS

SERIES BFC OR BFCE 3450 RPM

MODEL SPECIFICATIONS

EX: **D** - **CVC** - **1010** - **15**

S = SIMPLEX
D = DUPLEX

UNIT TYPE
CVC = CONDENSATE
BFC = BOILER FEED
BFCE = ELEVATED BOILER FEED

RECEIVER SIZES

EDR & PSI
EX: E.D.R.=10,000 (10)
PSI = 10

ENGINEERING EQUIVALENTS

1,000 SQ. FT. E.D.R. = 240,000 BTU /HR.
 1,000 SQ. FT. E.D.R. = 247 LBS WATER EVAP. /HR.
 1,000 SQ. FT. E.D.R. = 1/2 GAL WATER EVAP /MIN.

1 SQ. FT. E.D.R. = 240 BTU /HR. (STEAM)
 1 SQ. FT. E.D.R. = 1/4 LBS WATER EVAP. /HR.

1 BOILER HP = 33,475 BTU /HR. (STEAM)
 1 BOILER HP = 34.5 LBS WATER EVAP. /HR. (212°F)
 1 BOILER HP = .069 GAL WATER EVAP. /MIN.
 1 BOILER HP = 140 SQ. FT. E.D.R. (STEAM)
 1 BOILER HP = 222 SQ. FT. E.D.R. (WATER)

1 US GALLON = 231 CU. INCHES

1 LBS = 2.31 FT. OF WATER

Unit Model Number	Boiler Hp E.D.R (sq. ft) BTUH (1000's)	Pump USGPM	Tank Capa. Gallons	Pump Disch Press. PSI	3450 RPM	
					Motor Hp	Pump Motor Models
<input type="checkbox"/> Simplex <input type="checkbox"/> Duplex						
BFC - 0210				10	1/4	GV6
BFC - 0215	Hp 14	3	15	15	1/3	GV6
BFC - 0220				20	1/2	GV6
BFC - 0230				30	1/2	GV6
BFC - 0240	EDR 2,000	3	15	40	3/4	GV6
BFC - 0250				50	1	GV6
BFC - 0255				55	1 1/2	GV6
BFC - 0270	BTUH 490	3	15	70	--	--
BFC - 0280				80	--	--
BFC - 0290				90	--	--
BFC - 02100				100	--	--
BFC - 0410	Hp 29	6	15	10	1/4	GV6
BFC - 0415				15	1/3	GV6
BFC - 0420				20	1/3	GV6
BFC - 0430	EDR 4,000	6	15	30	1/2	GV6
BFC - 0440				40	3/4	GV6
BFC - 0450				50	1	GV6
BFC - 0455	BTUH 990	6	15	55	1 1/2	GV6
BFC - 0470				70	--	--
BFC - 0480				80	--	--
BFC - 0490				90	--	--
BFC - 04100	100	--	--			
BFC - 0610	Hp 43	9	15	10	1/3	GV6
BFC - 0615				15	1/3	GV6
BFC - 0620				20	1/3	GV6
BFC - 0630	EDR 6,000	9	15	30	1/2	GV6
BFC - 0640				40	3/4	GV6
BFC - 0650				50	1	GV6
BFC - 0655	BTUH 1,480	9	15	55	1 1/2	GV6
BFC - 0670				70	--	--
BFC - 0680				80	--	--
BFC - 0690				90	--	--
BFC - 06100	100	--	--			
BFC - 0810	Hp 57	12	15	10	1/3	GV6
BFC - 0815				15	1/3	GV6
BFC - 0820				20	1/3	GV6
BFC - 0830	EDR 8,000	12	15	30	3/4	GV6
BFC - 0840				40	1	GV6
BFC - 0850				50	1 1/2	GV6
BFC - 0855	BTUH 1,975	12	15	55	1 1/2	GV6
BFC - 0870				70	--	--
BFC - 0880				80	--	--
BFC - 0890				90	--	--
BFC - 08100	100	--	--			

Dimensions not to be used for construction unless prints is certified by factory.



FLO FAB Boiler Feed Unit Selection Tables (3450 RPM)

IDENTIFICATION: _____ VOLTS / _____ Hp / _____ Hz

* USING CLOSED COUPLED SERIES GV6 OR SERIES 1000 PUMPS

SERIES BFC OR BFCE 3450 RPM

SERIES BFC OR BFCE 3450 RPM

Unit Model Number	Boiler Hp	Pump USGPM	Tank Capa. Gallons	Pump Disch Press. PSI	3450 RPM		Unit Model Number	Boiler Hp	Pump USGPM	Tank Capa. Gallons	Pump Disch Press. PSI	3450 RPM				
					Motor Hp	Pump Motor Models						Simplex <input type="checkbox"/> Duplex <input type="checkbox"/>	E.D.R (sq. ft)	BTUH (1000's)	Motor Hp	Pump Motor Models
BFC - 1010	Hp 72	15	15	10	1/3	GV6	BFC - 3010	45	35	10	--	--				
BFC - 1015				15	1/3	GV6	BFC - 3015			15	1/2	GV6				
BFC - 1020				20	1/3	GV6	BFC - 3020			20	1/2	GV6				
BFC - 1030				30	3/4	GV6	BFC - 3030			30	1	GV6				
BFC - 1040				40	3/4	GV6	BFC - 3040			40	1 1/2	GV6				
BFC - 1050				50	1 1/2	GV6	BFC - 3050			50	2	GV6				
BFC - 1055				55	1 1/2	GV6	BFC - 3055			55	2 1/2	610A				
BFC - 1070				70	--	--	BFC - 3070			70	2 1/2	810A				
BFC - 1080				80	--	--	BFC - 3080			80	10	810A				
BFC - 1090				90	--	--	BFC - 3090			90	10	810A				
BFC - 10100	100	--	--	BFC - 30100	100	10	810A									
BFC - 1510	Hp 108	22 1/2	25	10	1/3	GV6	BFC - 4010	60	50	10	--	--				
BFC - 1515				15	1/3	GV6	BFC - 4015			15	--	--				
BFC - 1520				20	1/2	GV6	BFC - 4020			20	1	GV6				
BFC - 1530				30	3/4	GV6	BFC - 4030			30	1 1/2	GV6				
BFC - 1540				40	1	GV6	BFC - 4040			40	2	GV6				
BFC - 1550				50	1 1/2	GV6	BFC - 4050			50	2	GV6				
BFC - 1555				55	1 1/2	GV6	BFC - 4055			55	2 1/2	610A				
BFC - 1570				70	2 1/2	810G	BFC - 4070			70	2 1/2	810A				
BFC - 1580				80	10	810G	BFC - 4080			80	10	810A				
BFC - 1590				90	20	1020A	BFC - 4090			90	10	810A				
BFC - 15100	100	25	1020A	BFC - 40100	100	15	810A									
BFC - 2010	Hp 143	30	25	10	1/3	GV6	BFC - 5010	75	70	10	--	--				
BFC - 2015				15	1/3	GV6	BFC - 5015			15	--	--				
BFC - 2020				20	1/2	GV6	BFC - 5020			20	--	--				
BFC - 2030				30	3/4	GV6	BFC - 5030			30	3	615J				
BFC - 2040				40	1	GV6	BFC - 5040			40	5	610A				
BFC - 2050				50	1 1/2	GV6	BFC - 5050			50	5	610A				
BFC - 2055				55	2	GV6	BFC - 5055			55	2 1/2	815G				
BFC - 2070				70	2 1/2	810A	BFC - 5070			70	2 1/2	810A				
BFC - 2080				80	10	810A	BFC - 5080			80	10	810A				
BFC - 2090				90	10	810G	BFC - 5090			90	15	810A				
BFC - 20100	100	15	810G	BFC - 50100	100	15	810A									
BFC - 2510	Hp 179	37 1/2	35	10	1/3	GV6	BFC - 6510	97 1/2	70	10	--	--				
BFC - 2515				15	1/2	GV6	BFC - 6515			15	--	--				
BFC - 2520				20	1/2	GV6	BFC - 6520			20	--	--				
BFC - 2530				30	1	GV6	BFC - 6530			30	3	615A				
BFC - 2540				40	1 1/2	GV6	BFC - 6540			40	5	615J				
BFC - 2550				50	2	GV6	BFC - 6550			50	2 1/2	615J				
BFC - 2555				55	2	GV6	BFC - 6555			55	2 1/2	815G				
BFC - 2570				70	2 1/2	810A	BFC - 6570			70	10	810A				
BFC - 2580				80	2 1/2	810A	BFC - 6580			80	10	810A				
BFC - 2590				90	10	810A	BFC - 6590			90	15	810A				
BFC - 25100	100	10	810A	BFC - 65100	100	15	810A									

Boiler Feed Unit Selection Tables (1750 RPM)



IDENTIFICATION: _____ VOLTS / _____ Hp / _____ Hz

* USING CLOSED COUPLED SERIES GV6 OR SERIES 1000 PUMPS

SERIES BFC OR BFCE 3450 RPM

Unit Model Number	Boiler Hp		Pump USGPM	Tank Capa. Gallons	Pump Disch Press. PSI	3450 RPM	
	E.D.R (sq. ft)	BTUH (1000's)				Motor Hp	Pump Motor Models
	<input type="checkbox"/> Simplex <input type="checkbox"/> Duplex						
BFC - 7510	Hp 538	75,000	112½	70	10	--	--
BFC - 7515					15	--	--
BFC - 7520					20	--	--
BFC - 7530					30	5	615A
BFC - 7540					40	5	615J
BFC - 7550					50	7½	615J
BFC - 7555					55	7½	810A
BFC - 7570					70	10	810A
BFC - 7580					80	10	810A
BFC - 7590					90	15	810A
BFC - 75100	100	15	810A				
BFC - 10010	Hp 717	100,000	150	120	10	--	--
BFC - 10015					15	--	--
BFC - 10020					20	--	--
BFC - 10030					30	5	620A
BFC - 10040					40	7½	615A
BFC - 10050					50	7½	615J
BFC - 10055					55	10	815G
BFC - 10070					70	10	815G
BFC - 10080					80	15	815G
BFC - 10090					90	15	815G
BFC - 100100	100	15	810A				

SERIES BFC OR BFCE 1750 RPM

Unit Model Number	Boiler Hp		Pump USGPM	Tank Capa. Gallons	Pump Disch Press. PSI	1750 RPM	
	E.D.R (sq. ft)	BTUH (1000's)				Motor Hp	Pump Motor Model
	<input type="checkbox"/> Simplex <input type="checkbox"/> Duplex						
BFC - 0210	Hp 14	2,000	3	15	10	1/4	GV6
BFC - 0215					15	1/4	GV6
BFC - 0220					20	3	1020A
BFC - 0230					30	5	1020A
BFC - 0240					40	7½	1020A
BFC - 0250	BTUH 490	490			50	10	1215A
BFC - 0255					55	10	1215A
BFC - 0410	Hp 29	4,000	6	15	10	1/4	GV6
BFC - 0415					15	1/3	GV6
BFC - 0420					20	3	1020A
BFC - 0430					30	5	1020A
BFC - 0440					40	7½	1020A
BFC - 0450	BTUH 990	990			50	10	1215A
BFC - 0455					55	10	1215A
BFC - 0610	Hp 43	6,000	9	15	10	1/4	GV6
BFC - 0615					15	1/4	GV6
BFC - 0620					20	3	1020A
BFC - 0630					30	5	1020A
BFC - 0640					40	7½	1020A
BFC - 0650	BTUH 1,480	1,480			50	10	1215A
BFC - 0655					55	10	1215A
BFC - 0810	Hp 57	8,000	12	15	10	1/4	GV6
BFC - 0815					15	1/4	GV6
BFC - 0820					20	3	1020A
BFC - 0830					30	5	1020A
BFC - 0840					40	7½	1020A
BFC - 0850	BTUH 1,975	1,975			50	10	1215A
BFC - 0855					55	10	1215A
BFC - 1010	Hp 72	10,000	15	15	10	1/4	GV6
BFC - 1015					15	1/4	GV6
BFC - 1020					20	1½	810A
BFC - 1030					30	5	1020A
BFC - 1040					40	7½	1020A
BFC - 1050	BTUH 2,470	2,470			50	10	1215A
BFC - 1055					55	10	1215A

Dimensions not to be used for construction unless prints is certified by factory.



FLO FAB Boiler Feed Unit Selection Tables (1750 RPM)

IDENTIFICATION: _____ VOLTS / _____ Hp / _____ Hz

* USING CLOSED COUPLED SERIES GV6 OR SERIES 1000 PUMPS

SERIES BFC OR BFCE 1750 RPM

SERIES BFC OR BFCE 1750 RPM

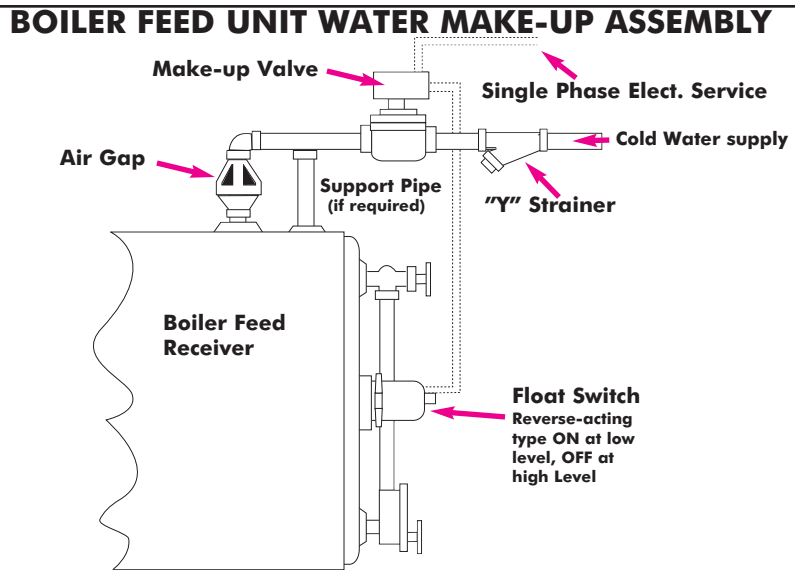
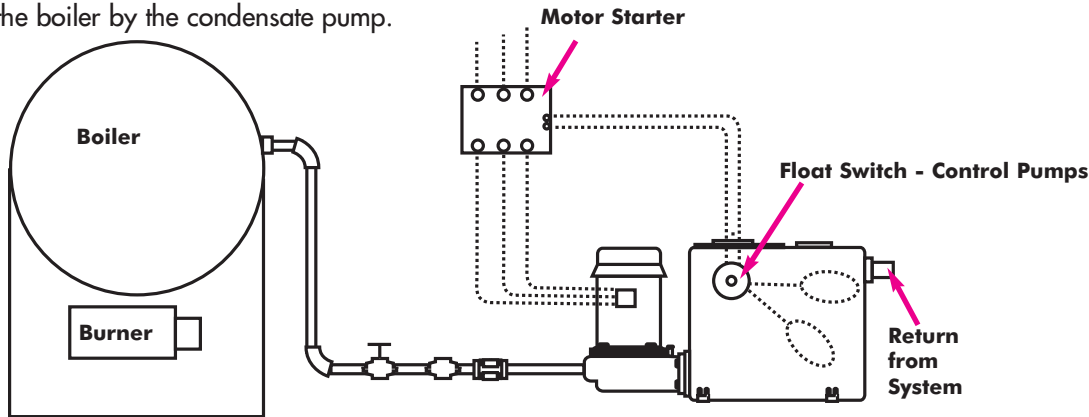
Unit Model Number	Boiler Hp E.D.R (sq. ft)	Pump USGPM	Tank Capa. Gallons	Pump Disch Press. PSI	1750 RPM	
					Motor Hp	Pump Motor Model
<input type="checkbox"/> Simplex <input type="checkbox"/> Duplex	BTUH (1000's)					
BFC - 1510	Hp 108	22 1/2	25	10	1/4	GV6
BFC - 1515				15	1/3	GV6
BFC - 1520	EDR 15,000			20	1 1/2	810A
BFC - 1530				30	2	810A
BFC - 1540				40	7 1/2	1020A
BFC - 1550				50	10	1215A
BFC - 1555	BTUH 3,600			55	10	1215A
BFC - 2010	Hp 143	30	25	10	1/4	GV6
BFC - 2015				15	1/3	GV6
BFC - 2020	EDR 20,000			20	1 1/2	810A
BFC - 2030				30	2	810A
BFC - 2040				40	7 1/2	1020A
BFC - 2050				50	10	1215A
BFC - 2055	BTUH 4,940			55	10	1215A
BFC - 2510	Hp 179	37 1/2	35	10	1/3	GV6
BFC - 2515				15	1	610A
BFC - 2520	EDR 25,000			20	1 1/2	810A
BFC - 2530				30	2	810A
BFC - 2540				40	7 1/2	1020A
BFC - 2550				50	10	1215A
BFC - 2555	BTUH 6,170			55	10	1215A
BFC - 3010	Hp 215	45	35	10	1/2	615J
BFC - 3015				15	3/4	815G
BFC - 3020	EDR 30,000			20	1 1/2	810A
BFC - 3030				30	2	810A
BFC - 3040				40	5	1020A
BFC - 3050				50	10	1215A
BFC - 3055	BTUH 7,400			55	10	1215A
BFC - 4010	Hp 285	60	50	10	3/4	615J
BFC - 4015				15	1	810A
BFC - 4020	EDR 40,000			20	2	810A
BFC - 4030				30	5	1020A
BFC - 4040				40	7 1/2	1020A
BFC - 4050				50	10	1215A
BFC - 4055	BTUH 9,880			55	15	1215A

Unit Model Number	Boiler Hp E.D.R (sq. ft)	Pump USGPM	Tank Capa. Gallons	Pump Disch Press. PSI	1750 RPM	
					Motor Hp	Pump Motor Model
<input type="checkbox"/> Simplex <input type="checkbox"/> Duplex	BTUH (1000's)					
BFC - 5010	Hp 358	75	70	10	3/4	615J
BFC - 5015				15	1	815G
BFC - 5020	EDR 50,000			20	2	810A
BFC - 5030				30	5	810A
BFC - 5040				40	7 1/2	1020A
BFC - 5050				50	10	1215A
BFC - 5055	BTUH 12,000			55	15	1215A
BFC - 6510	Hp 450	97 1/2	70	10	1	615A
BFC - 6515				15	1 1/2	815G
BFC - 6520	EDR 65,000			20	2	815G
BFC - 6530				30	5	1020A
BFC - 6540				40	7 1/2	1020A
BFC - 6550				50	10	1215A
BFC - 6555	BTUH 15,000			55	15	1215A
BFC - 6570		70	20	1220A		
BFC - 7510	Hp 538	112 1/2	70	10	1 1/2	620A
BFC - 7515				15	2	825A
BFC - 7520	EDR 75,000			20	3	1020A
BFC - 7530				30	5	1020A
BFC - 7540				40	15	1025A
BFC - 7550				50	10	1215A
BFC - 7555	BTUH 18,000			55	15	1215A
BFC - 7570		70	20	1220A		
BFC - 10010	Hp 717	150	120	10	1 1/2	620A
BFC - 10015				15	2	825A
BFC - 10020	EDR 100,000			20	3	825A
BFC - 10030				30	5	1020A
BFC - 10040				40	15	1025A
BFC - 10050				50	10	1215A
BFC - 10055	BTUH 24,700			55	15	1215A
BFC - 10070		70	20	1220A		

Dimensions not to be used for construction unless prints is certified by factory.

CONDENSATE RETURN UNITS SERIES CVC

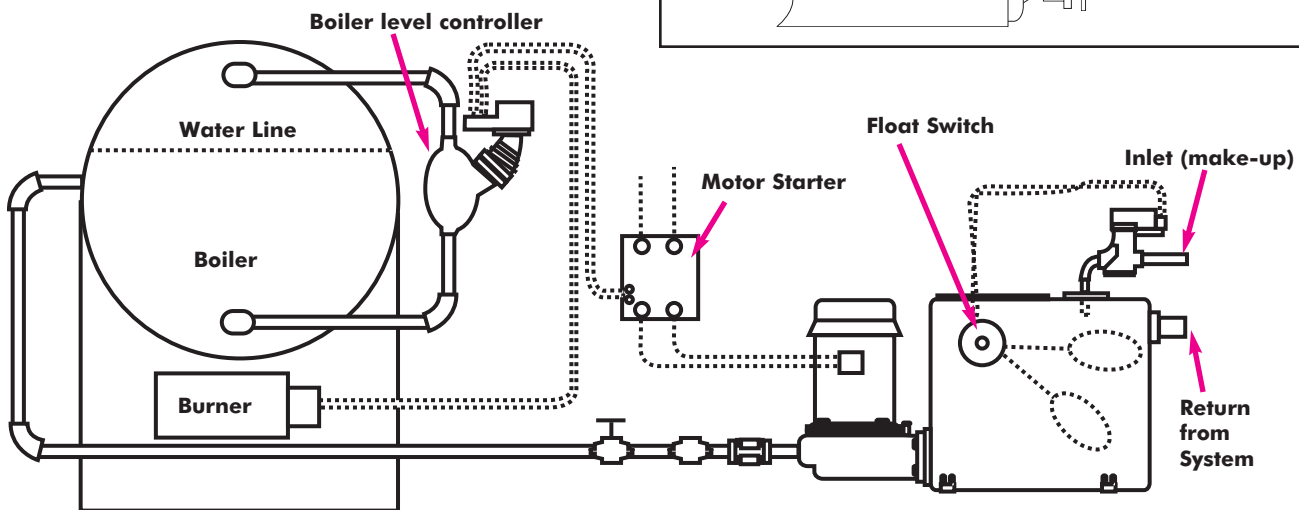
The condensate pump is operated by a float switch in the condensate tank. As water is returned from the system, it is pumped to the boiler by the condensate pump.

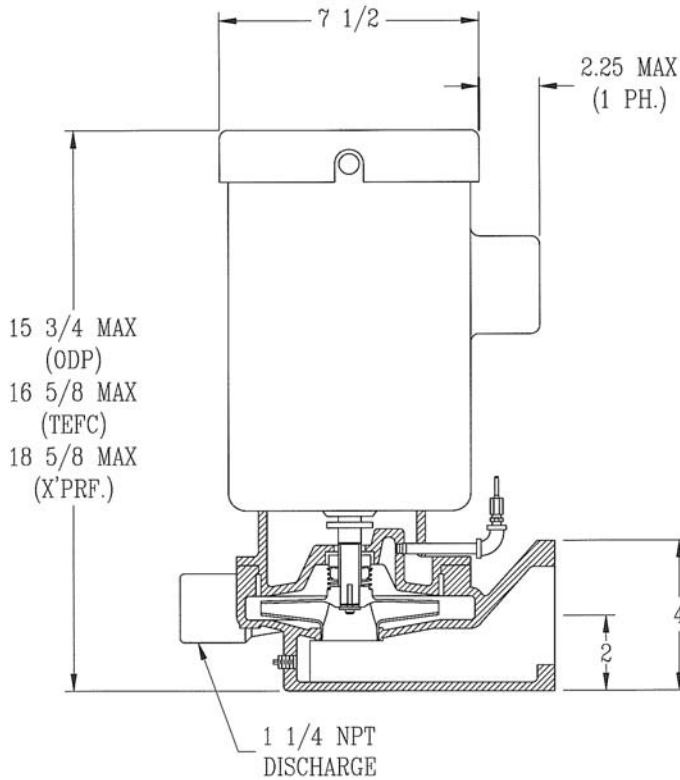


BOILER FEED UNITS SERIES BFC OR BFCE

Circuit 1 - The boiler level controller operates the condensate pump feeding water to the boiler as required.

Circuit 2 - The float switch mounted in the condensate tank operates a valve adding water to the condensate tank as required.





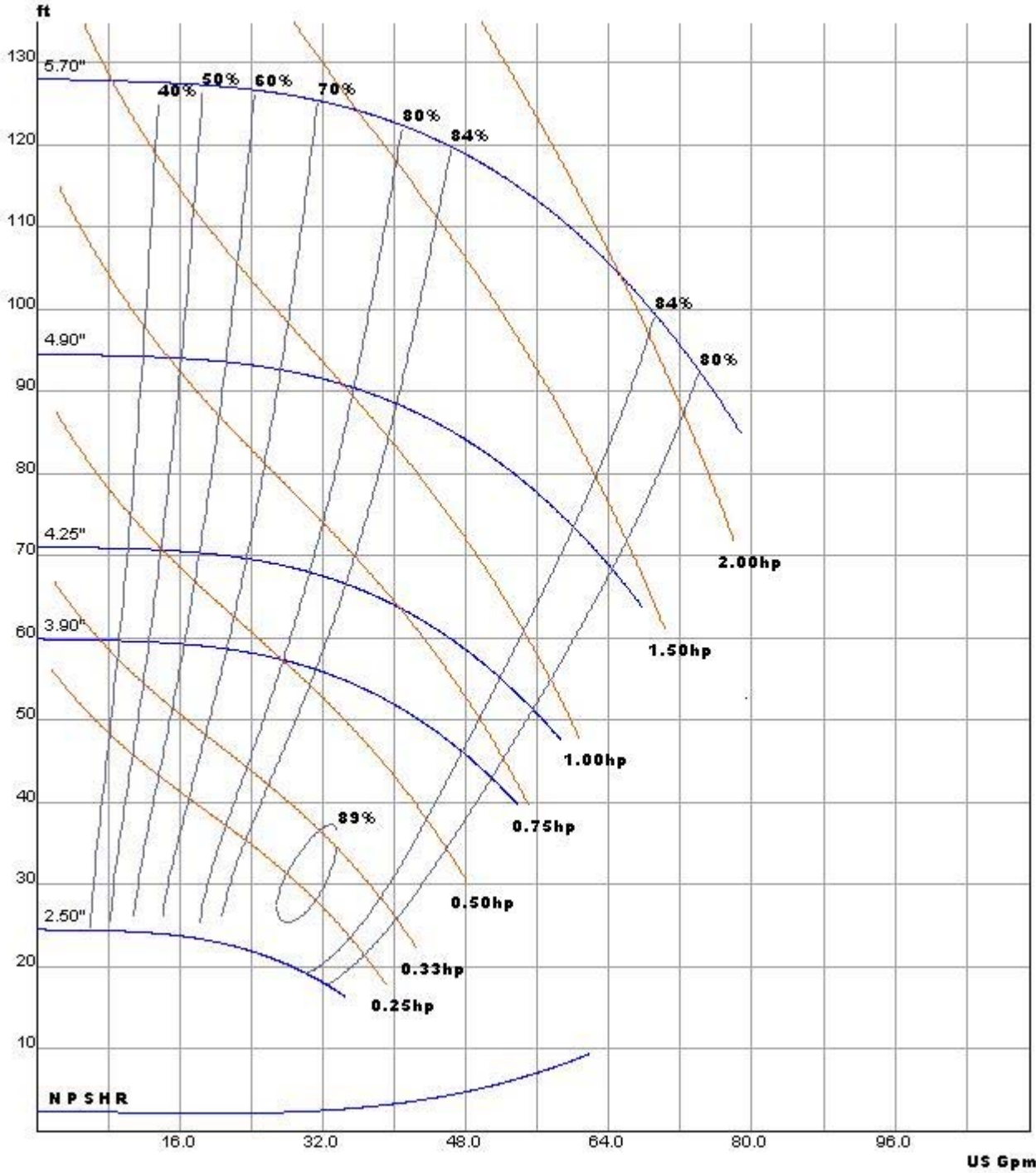
PUMP FEATURES

- FROM 1/3 TO 3HP - SEVEN STOCK SIZES
- CAPACITIES UP TO 80 USGPM
- HEADS UP TO 130 Ft.
- EFFICIENT HYDRAULIC DESIGN
- ENCLOSED BRONZE IMPELLER THREADED ON A STAINLESS STEEL MOTOR SHAFT.
- IMPELLER BALANCED FOR SMOOTH AND QUIET OPERATION
- REPLACEABLE BRONZE CASING WEARING
- BACK PULL-OUT DESIGN ALLOWS SERVICING WITHOUT DISTURBING PIPING. PUMP CASING STAYS IN PLACE.
- MECHANICAL SHAFT SEAL IS SELF-ADJUSTING; UP TO 250°F AND 150 PSI
- SPECIAL SEALS AVAILABLE FOR HIGHER TEMPERATURES AND FLUIDS OTHER THAN WATER.
- TAPPINGS PROVIDED FOR VENTING AND FLUSHING THE SEAL AREA.
- BRONZE FITTED, CLOSED GRAIN CAST IRON CONSTRUCTION IS STANDARD. ALL IRON ALSO AVAILABLE.
- ODP MOTORS ARE STANDARD. DRIP COVER PROVIDED FOR VERTICAL INSTALLATION.
- EVERY PUMP IS FACTORY TESTED.

Pump Parts	Bronze Fitted (Standard)	All Iron (Optional)
Adapter	Cast Iron	Cast Iron
Casing	Cast Iron	Cast Iron
Shaft	Stainless Steel 303	Stainless Steel 303
Impeller	Bronze	Cast Iron
Wear Ring	Bronze	Steel
Shaft Seal	Carbon-Ceramic/ Satinless Steel/Viton	Carbon-Ceramic/ Satinless Steel/Buna N

Dimensions not to be used for construction unless prints is certified by factory.

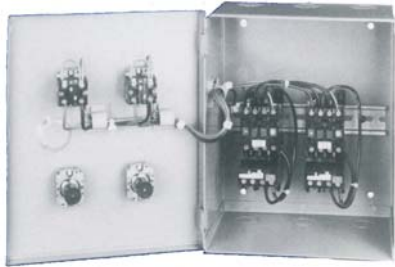
Performance Curves for Centrifugal Pumps Series GV6



Dimensions not to be used for construction unless prints is certified by factory.



SERIES DCP



SERIES DCP CONTROL PANEL STANDARD

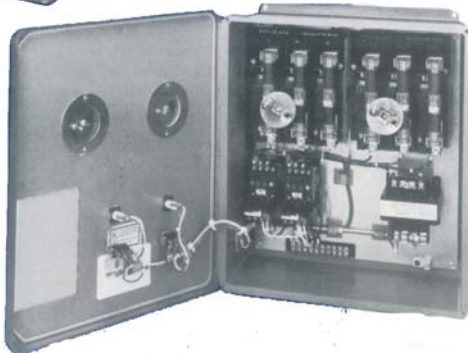
- 1) NEMA Type 1 only
- 2) 2 starters with 3rd leg overload protection.
- 3) Reset button in the cover.

OPTIONAL

- 3 position selector switch, hand-off auto, Lead-off lag, or test-off auto
- Pilot light(s) 250 V max.
- 1 electric alternator per panel (duplex models only)



SERIES DCP-B



SERIES DCP-B CONTROL PANEL WITH CIRCUIT BREAKERS STANDARD

- 1) NEMA Type 1
- 2) 2 starters, each with 3rd leg overload protection and reset button on each starter
- 3) Number terminal strip

OPTIONAL

- NEMA Type, 2, 3, 4X, 7, 9 or 12 Consult Factory
- Fused or non-fused disconnect(s) with interlock with provisions for padlock.
- 1 fuse block per starter
- Fused control circuit transformer 110 volt secondary
- 1 electric alternator per panel (duplex models only)
- Relays - number as required
- Selector switches on cover (1 per starter)
 - Labeled- Hand-off auto
 - Lead-off lag
 - Boiler #1 - off - Boiler #2
 - Pump #1 - off - Pump #2
 - Test-off auto (spring loaded to off)
- Pilot light(s) on cover (1 per starter)
- Alarm bell with silencing switch (1 per panel)
- External reset buttons for starters

CONDENSATE RETURN UNITS SERIES CVC

S-CVC (SIMPLEX) D-CVC (DUPLEX)

The contractor shall furnish and install a FLO FAB automatic condensate unit. Pump(s) shall be mounted vertically and flanged to the receiver. Pump(s) shall be cast iron bronze fitted end suction centrifugal pumps with 250°F (300°F also available) mechanical seals close coupled to 115/230 Volts single or 208/460/575 Volts three phase 60 Hz, 3500 RPM, open drip-proof or totally enclosed electric motors. A vent line shall be furnished from each pump seal chamber to the receiver.

Receiver shall be 15, 25, 35, 45, 70 or 120 gallons $\frac{3}{16}$ " black steel or cast iron with 2" vent, $\frac{3}{4}$ " drain and (2" or 3") inlet. Simplex (S-CVC) unit shall include a UQK-2 float switch assembly.

Duplex (D-CVC) unit shall include two UQK-2 float switch with electrical alternator assemblies.

A stem thermometer and a gauge glass should be provided.

OPTIONAL: On duplex units, a NEMA 1 control panel with magnetic starter(s) should be installed (not included).

BOILER FEED UNITS SERIES BFC

S-BFC (SIMPLEX) D-BFC (DUPLEX)

The contractor shall furnish and install a FLO FAB automatic ground level boiler feed unit. Pump(s) shall be mounted vertically and flanged to the receiver. Pump(s) shall be cast iron bronze fitted end suction centrifugal pumps with 250°F (300°F also available) mechanical seals close coupled to 115/230 Volts single or 208/460/575 Volts three phase 60 Hz, 3500 RPM, open drip-proof or totally enclosed electric motors.

Receiver shall be 50, 70, 120, 210 or 300 gallons $\frac{1}{4}$ " black steel with 2" vent, $\frac{3}{4}$ " drain and (2" or 3") inlet.

Simplex (S-BFC) and duplex (D-BFC) unit shall include make-up valve, vent, a stem thermometer and a gauge glass installed on the tank.

ELEVATED BOILER FEED UNITS SERIES BFCE

S-BFCE (SIMPLEX) D-BFCE (DUPLEX)

The contractor shall furnish and install a FLO FAB automatic elevated boiler feed unit. Pump(s) shall be mounted vertically and flanged to the receiver. Pump(s) shall be cast iron bronze fitted end suction centrifugal pumps with 250°F (300°F also available) mechanical seals close coupled to 115/230 Volts single or 208/460/575 Volts three phase 60 Hz, 3500 RPM, open drip-proof or totally enclosed electric motors.

Receiver shall be 50, 70, 120, 210 or 300 gallons $\frac{1}{4}$ " black steel with 2" vent, $\frac{3}{4}$ " drain and (2" or 3") inlet.

Simplex (S-BFCE) and duplex (D-BFCE) unit shall include make-up valve, vent, a stem thermometer and a gauge glass installed on the tank. Suction isolation butterfly valve(s), inlet "Y" strainer(s), a stem thermometer, a gauge glass and metal flexible will be provided.

OPTIONS FOR SERIES CVC - BFC & BFCE

- "Y" Strainer
- Simplex Basket Strainer (SBS)
- Receivers can be furnished in stainless steel construction.
- $\frac{3}{4}$ " Solenoid on larger units.
- NEMA 1 control panel with magnetic motor starters with HOA switch shall be furnished for each pump motor mounted and wired on receiver, for remote mounting Nema I enclosures.
- FLO FAB Series DCP Duplex control panel with magnetic starters, HOA switches, with or without circuit breakers 115 volt control circuit transformer, 3rd leg overload protection, terminal strip, Nema I enclosure shall be furnished mounted on receiver & wired, for remote wall mounting Nema I enclosure with or without electric alternator.



IDENTIFICATION/TAG: _____

BILL OF MATERIALS:

CONDENSATE RETURN UNITS SERIES CVC AND/OR BOILER FEED UNITS SERIES BFC & BFCE

1) PUMP(S)

A single-stage closed coupled cast iron, bronze fitted casing, leak proof mechanical shaft seal, stainless steel large diameter corrosion resistant shaft, and bronze casing wearing. These pump(s) requirement allows handling of 250°F condensate without flashing and cavitation. The pump(s) is provided with an axial flow impeller being enclosed in a cast bronze construction. The pump(s) cast iron flanged volute has an internal cast iron baffle preventing pre-rotation of the condensate. The entire rotating assembly can be removed without disturbing the discharge or return piping.

PUMP(S) SELECTION	
CVC MODEL # _____	BFC MODEL # _____
SIMPLEX (S-CVC) <input type="checkbox"/>	SIMPLEX (S-BFC) <input type="checkbox"/>
DUPLEX (D-CVC) <input type="checkbox"/>	SIMPLEX (S-BFCE) <input type="checkbox"/>
	DUPLEX (D-BFCE) <input type="checkbox"/>
	DUPLEX (D-BFC) <input type="checkbox"/>
PUMP CAPACITY: _____ USGPM AT _____ PSI	
1) CENTRIFUGAL PUMP(S) <input type="checkbox"/>	SINGLE STAGE <input type="checkbox"/> MULTI-STAGE <input type="checkbox"/>
2) CLOSED COUPLED <input type="checkbox"/>	

2) MOTOR(S)

Open-drip proof motor, standard NEMA construction. Motor bearings are sealed and factory greased for extra-long trouble-free operation. Single phase fractional Hp with dual voltage motors include built-in thermal overload protection. Motors are standard at 3450 RPM.

MOTOR(S) SELECTION	
MOTOR(S) Hp _____	ODP <input type="checkbox"/> TEFC <input type="checkbox"/> XP <input type="checkbox"/>
60Hz SPEED: 3450 RPM <input type="checkbox"/>	1750 RPM <input type="checkbox"/>
VOLTAGE: 115V <input type="checkbox"/> 208V <input type="checkbox"/> 230V <input type="checkbox"/> 460V <input type="checkbox"/> 575V <input type="checkbox"/>	
1 PHASE <input type="checkbox"/>	3 PHASE <input type="checkbox"/>

3) RECEIVER

Receiver inlet, pump(s), vent and drain connections.

RECEIVER SELECTION	CONDENSATE (CVC) SELECTION	BOILER FEED (BFC OR BFCE) SELECTION
CAPACITY _____ GALLONS	<input type="checkbox"/> 15 GALLONS	<input type="checkbox"/> 50 GALLONS
TYPE: ASME <input type="checkbox"/> NON-ASME <input type="checkbox"/>	<input type="checkbox"/> 25 GALLONS	<input type="checkbox"/> 70 GALLONS
SHAPE: CYLINDRICAL <input type="checkbox"/> RECTANGULAR <input type="checkbox"/>	<input type="checkbox"/> 35 GALLONS	<input type="checkbox"/> 120 GALLONS
CONSTRUCTION: STEEL <input type="checkbox"/>	<input type="checkbox"/> 45 GALLONS	<input type="checkbox"/> 210 GALLONS
STEEL W/DURATHERM LINING <input type="checkbox"/>	<input type="checkbox"/> 70 GALLONS	<input type="checkbox"/> 300 GALLONS
STAINLESS STEEL <input type="checkbox"/>	<input type="checkbox"/> 120 GALLONS	
STEEL W/GALVANIZING <input type="checkbox"/>		
CAST IRON (RECTANGULAR ONLY) <input type="checkbox"/>		
VENT CONNECTION <input type="checkbox"/> SIZE: _____"		
BLIND PLATE ON SIMPLEX UNITS FOR FUTURE EXPANSION <input type="checkbox"/>		
SHUT OFF VALVE BETWEEN RECEIVER AND PUMP SUCTION (OPTIONAL) <input type="checkbox"/>		
NON STANDARD RECEIVER <input type="checkbox"/> SIZE: _____ GALLONS		
20 YEARS WARRANTY (OPTIONAL) <input type="checkbox"/>		

IDENTIFICATION/TAG: _____

4) RECEIVER ACCESSORIES

Float switch(es) and alternator connections for complete flexibility

ACCESSORIES SELECTION	
THERMOMETER: RANGE 40°F TO 300°F	<input type="checkbox"/> STRAIGHT <input type="checkbox"/> ANGLE <input type="checkbox"/> DIAL <input type="checkbox"/>
GAUGE GLASS ASSEMBLY <input type="checkbox"/> (STANDARD EXCEPT: 10 AND 15 GALLONS RECEIVERS)	
ADDITIONAL RECEIVER TAPPINGS <input type="checkbox"/> SIZE: _____"	
ONE FLOAT SWITCH (SIMPLEX UNITS) <input type="checkbox"/> TWO FLOAT SWITCHES (DUPLEX UNITS) <input type="checkbox"/>	

5) MECHANICAL CONTROLS

FOR CVC UNITS:

Automatic operation is provided by an internal mounted enclosed adjustable float switch assembly, for simplex (S-CVC) or two float switches or control panel with electrical alternator for duplex (D-CVC) operation.

The alternator shall: Change the operating sequence automatically after each cycle.

Provide simultaneous operation under peak load conditions

Operate the second pump automatically, should the active pump or its control fail.

SELECTION	
FOR SIMPLEX UNITS: ONE FLOAT SWITCH	<input type="checkbox"/>
FOR DUPLEX UNITS: TWO FLOAT SWITCHES	<input type="checkbox"/>
CONTROL PANEL W/ELECTRICAL ALTERNATOR	<input type="checkbox"/>
NEMA _____ PANEL	<input type="checkbox"/> HIGH LEVEL ALARM WITH FLOAT <input type="checkbox"/>
TANK ALERT MOUNTED	<input type="checkbox"/> UNMOUNTED <input type="checkbox"/> BY OTHERS <input type="checkbox"/>
ISOLATION VALVE(S) (OPTIONAL) IF REQUIRED <input type="checkbox"/> SIZE: _____"	
DISCHARGE PRESSURE GAUGE(S) WITH MINI BALL VALVE(S) (OPTIONAL) <input type="checkbox"/>	
INLET STRAINER FOR TANK RETURN CONNECTION (LOOSE) <input type="checkbox"/> SIZE: _____"	
INLET BASKET STRAINER (CAST IRON RECEIVER) <input type="checkbox"/> SIZE: _____"	

FOR BFC OR BFCE UNITS:

Automatic operation is provided by an internal mounted enclosed adjustable float switch operated by an internal make-up valve for boiler feed units.

SELECTION	
FOR SIMPLEX UNITS: ONE FLOAT SWITCH	<input type="checkbox"/>
FOR DUPLEX UNITS: TWO FLOAT SWITCHES	<input type="checkbox"/>
OR CONTROL PANEL W/ELECTRICAL ALTERNATOR	<input type="checkbox"/>
NEMA _____ PANEL	<input type="checkbox"/> HIGH LEVEL ALARM WITH FLOAT <input type="checkbox"/>
TANK ALERT MOUNTED	<input type="checkbox"/> UNMOUNTED <input type="checkbox"/> BY OTHERS <input type="checkbox"/>
ISOLATION VALVE(S) (OPTIONAL) IF REQUIRED <input type="checkbox"/> SIZE: _____"	
DISCHARGE PRESSURE GAUGE(S) WITH MINI BALL VALVE(S) (OPTIONAL) <input type="checkbox"/>	
PRESSURE GAUGE(S): DRY	<input type="checkbox"/> LIQUID FILLED <input type="checkbox"/>
INLET STRAINER FOR TANK RETURN CONNECTION (LOOSE) <input type="checkbox"/> SIZE: _____"	
INLET Y STRAINER <input type="checkbox"/> SIZE: _____"	
INLET BASKET STRAINER <input type="checkbox"/> SIZE: _____"	
FLOAT OPERATED INTERNAL MAKE-UP VALVE <input type="checkbox"/>	
GAUGE GLASS AND SHUT-OFF VALVES <input type="checkbox"/> (ON BFC 15 TO 200 GALLONS RECEIVERS)	

6) ELECTRICAL CONTROLS

See EP panel for proper selection. All panels are CSA and/or UL approved.



OPTIONAL MODIFICATIONS AVAILABLE FOR CONDENSATE (CVC) AND BOILER FEED (BFC OR BFCE) UNITS

MECHANICAL MODIFICATIONS

- FLO FAB CONDENSATE RETURN UNITS SERIES CVC CAN BE FURNISHED AS AN AUTOMATIC BOILER FEED UNIT SERIES BFC OR BFCE BY SUBSTITUTING COLD WATER MAKE-UP VALVE ASSEMBLY FOR FLOAT SWITCH, SELECTING A LARGE RECEIVER AND ACTUATING THE PUMP MOTOR BY A BOILER WATER LEVEL CONTROLLER. (MECHANICAL OPERATION OR SOLENOID ACTUATED BY A FLOAT SWITCH)**

ELECTRICAL MODIFICATIONS

- TOTALLY ENCLOSED MOTORS AND NEMA - 4 FLOAT SWITCHES AND STARTERS (MOTOR HP SIZE MAY BE INCREASED) WIRING IN SEAL-TIGHT CONDUIT**
- EXPLOSION PROOF MOTORS AND NEMA - 7 FLOAT SWITCHES AND STARTERS (MOTOR HP MAY BE INCREASED)**
- VARIOUS MAGNETIC STARTERS ARRANGEMENTS INCLUDING:
DUPLEX CONTROL PANELS, COMBINATION STARTERS WITH VARIOUS FORMS OF DISCONNECTS OR CIRCUIT BREAKERS, WATER RESISTANT OR EXPLOSION PROOF ENCLOSURES, HAND-OFF AUTO SWITCHES, PILOT LIGHTS AND TRANSFORMERS PROVIDING LOW CONTROL VOLTAGE. ALL ARRANGEMENTS ARE CSA AND/OR UL APPROVED. TRANSFER SWITCHES TO ALTERNATE PUMP OPERATION OR TRANSFER PUMP-BOILER RELATIONSHIP IN MULTIPLE BOILER INSTALLATIONS.**
SEE TABLE.
- HIGH WATER ALARM**
- OR LOW WATER ALARM (TANK ALERT) ACTUATED BY FLOAT SWITCH.**

For Future Use

For Future Use

For Future Use

FF

FLO FAB



**Manufacturer of Pumps, Tanks, Heat Exchangers & Accessories
for HVAC Market After-Sales Parts and Services**

www.flofab.com

FLO-FAB INC
LAKE WORTH,
FLORIDA, USA

SEPTEMBER 2009