



SUBMITTAL SHEET
 ISSUE DATE: 2008/04/21
 REVISION DATE: 2008/11/24
 SECTION: 8

"HIGH VELOCITY" AIR & DIRT SEPARATOR

WITH REMOVABLE MEDIUM

MODELS: SEP-ADSR-HV-2 TO SEP-ADSR-HV-12

UNIT TAG NO.: _____ ENGINEER: _____ FLO FAB REPRESENTATIVE: _____	ORDER NO. _____ SUBMITTED BY _____ DATE _____ APPROVED BY _____ DATE _____
---	--

DESCRIPTION

FLO FAB SEP-ADSR-HV (HIGH VELOCITY) SERIES AIR & DIRT SEPARATORS ARE DESIGNED TO ELIMINATE ENTRAINED AIR AND SEPARATE DEBRIS ASSOCIATED WITH START-UP AND MAINTENANCE OF ANY HYDRONIC SYSTEM. THE DESIGN INCORPORATES A SKIM VALVE, USED TO ELIMINATE FLOATING DEBRIS, A REMOVABLE END COVER FOR COALESCING MEDIUM ACCESS, AND AN AIR VENT TO AUTOMATICALLY RELEASE AIR FROM THE SEPARATOR. THE DESIGN AND CONSTRUCTION CONFORMS TO ASME SECTION VIII, DIV.1

CONSTRUCTION

SHELL: CARBON STEEL
 COALESCING MEDIUM: STAINLESS STEEL
 BLOW DOWN VALVE (OPTIONAL): BRONZE
 SKIM VALVE (OPTIONAL): BRONZE
 VENT (OPTIONAL): STAINLESS STEEL

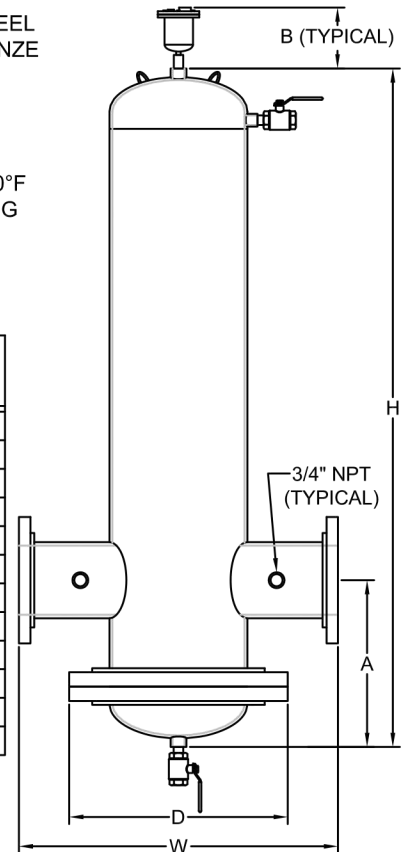
PERFORMANCE LIMITATIONS

MAXIMUM DESIGN TEMPERATURE: 250°F
 MAXIMUM DESIGN PRESSURE: 150 PSIG

DIMENSIONS AND WEIGHTS

MODEL	CONN. SIZE	FLOW GPM	D (IN.)	H (IN.)	W (IN.)	A (IN.)	B (IN.)	WT LBS.
SEP-ADSR-HV-2-F	2 FLG.	105	9	33	15-1/4	11-1/2	8-5/8	110
SEP-ADSR-HV-2-NPT	2 NPT.	105	9	33	10-3/8	11-1/2	8-5/8	100
SEP-ADSR-HV-2.5-F	2-1/2 FLG.	155	10	33	15-3/4	11-1/2	8-5/8	140
SEP-ADSR-HV-2.5-NPT	2-1/2 NPT.	155	10	33	11	11-1/2	8-5/8	125
SEP-ADSR-HV-3-F	3 FLG.	225	11	42	20-1/4	14-1/2	8-5/8	175
SEP-ADSR-HV-3-NPT	3 NPT.	225	11	42	12-1/2	14-1/2	8-5/8	155
SEP-ADSR-HV-4-F	4 FLG.	405	13-1/2	42	20-5/8	14-1/2	8-5/8	275
SEP-ADSR-HV-5-F	5 FLG.	630	16	59	27-3/4	19-1/2	8-5/8	475
SEP-ADSR-HV-6-F	6 FLG.	910	19	59	27-3/4	19-1/2	8-5/8	525
SEP-ADSR-HV-8-F	8 FLG.	1610	23-1/2	75	33-5/8	24-1/2	8-5/8	825
SEP-ADSR-HV-10-F	10 FLG.	2450	27-1/2	92	37-1/2	32-1/2	8-5/8	1275
SEP-ADSR-HV-12-F	12 FLG.	3500	32	110	42-1/2	38	8-5/8	2050

NOTE: LARGER SIZES ARE AVAILABLE UP TO 36 INCHES.



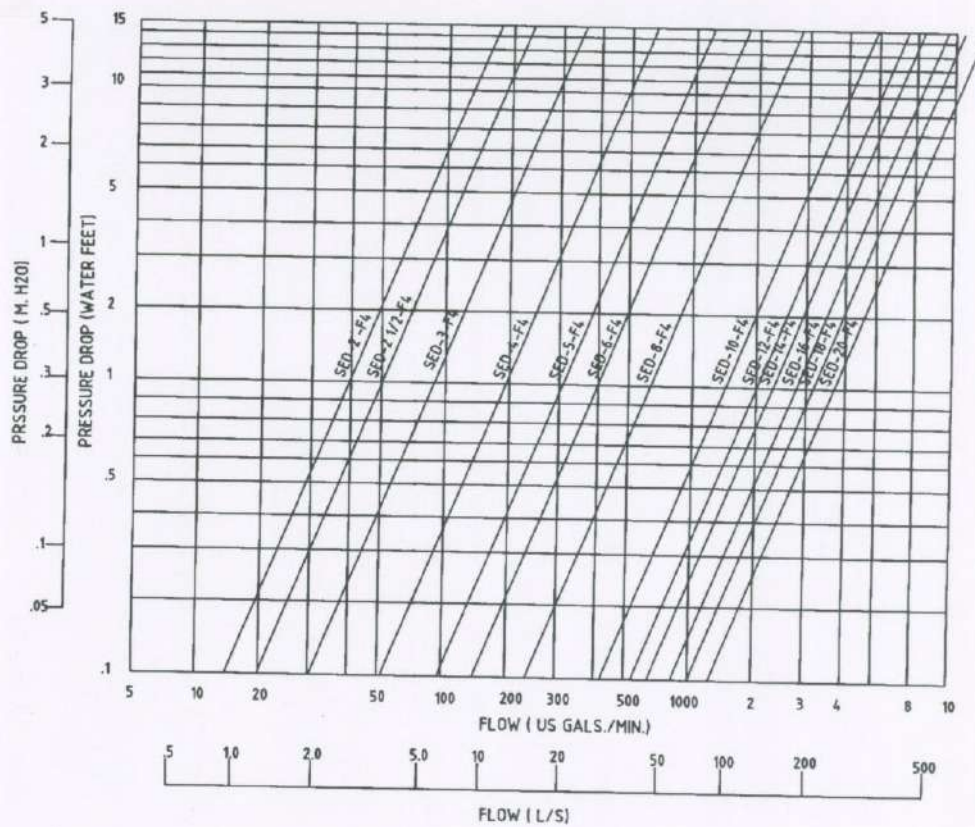
SPECIFICATION

FURNISH AND INSTALL ON THE PLANS AND DESCRIBED HEREIN, A FLO FAB VENT SEP-ADSR-HV (HIGH VELOCITY) AIR & DIRT SEPARATOR AS MANUFACTURED BY FLO FAB COMPANY. EACH SEPARATOR MUST BE DESIGNED WITH A BLOWDOWN VALVE, SKIM VALVE, AND AUTOMATIC AIR VENT. THE SEPARATOR MUST ALSO UTILIZE IN ITS DESIGN A STAINLESS STEEL COALESCING MEDIUM TO AID IN THE SEPARATION OF AIR AND DIRT IN THE SYSTEM ENTRAINED WATER. THE SEPARATOR MUST BE CONSTRUCTED IN ACCORDANCE WITH THE LATEST REVISION OF THE ASME BOILER AND PRESSURE VESSEL CODE AND STAMPED 150 PSI WORKING PRESSURE.

EACH SEPARATOR SHALL BE FLO FAB MODEL SEP-ADSR-HV-_____ OR APPROVED EQUAL.

PERFORMANCE CURVE

HIGH VELOCITY PERFORMANCE CURVE



FLO-FAB INC.