



Tanks Air Separator

Series SEP

**Operation, Maintenance
& Installation Manual**



www.flofab.com

001-iom-2017-sep



AIR SEPARATOR

INSTALLATION:

Prior to installation, the strainers mating flanges should be inspected to assure gasket surfaces are free of defects.

- * Install FLO FAB air separator in the system between expansion tanks and pumps.
- * Install expansion tank as close to the air separator as possible with any horizontal piping pitching up to tank.
- * If a shut-off valve is installed in the line, it must be fully open when the system is in operation.
- * A connection for a FLO FAB air release valve is at the top of the air separator.

ATTENTION

The air separator should not be mounted between flanges having defective gasket surfaces. Piping should be checked for proper alignment. The distance between pipe flanges should be checked to assure sufficient clearance for the installation of the air separator. The air separator must be visually centred with respect to the flange faces. Flange bolting should be tightened gradually in a crisscross manner. Bolting should then be tightened sufficiently to prevent loosening of the joint or gaskets.

MAINTENANCE:

The air separator is fabricated that maintenance is required when a strainer is supplied. It is recommended that the installer remove and clean the strainer after 24 hours of operation and after 30 days operation. Also periodically open the blowdown valve to purge air separator of foreign particles.

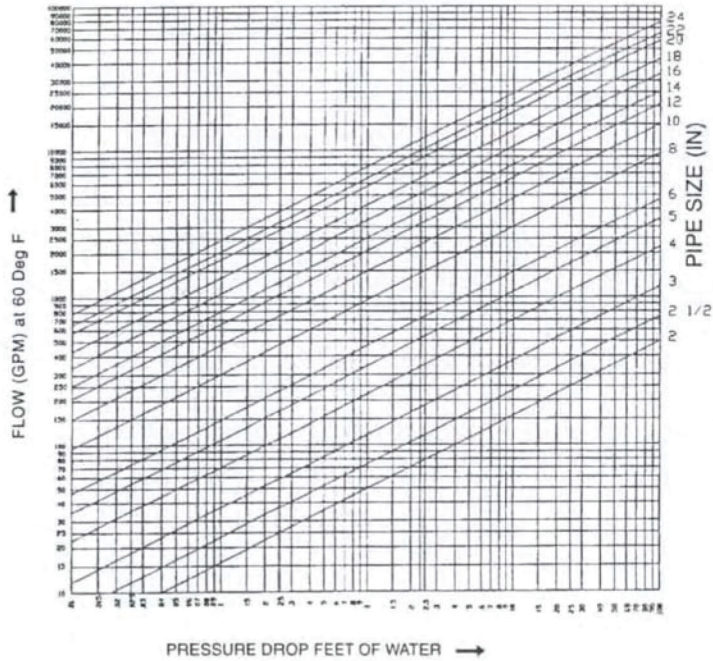
INITIAL START-UP:

When system is first filled, release air from heating units and high points if necessary for quick filling. Any entrained air is separated continuously there after, as water is pumped through the air separator.

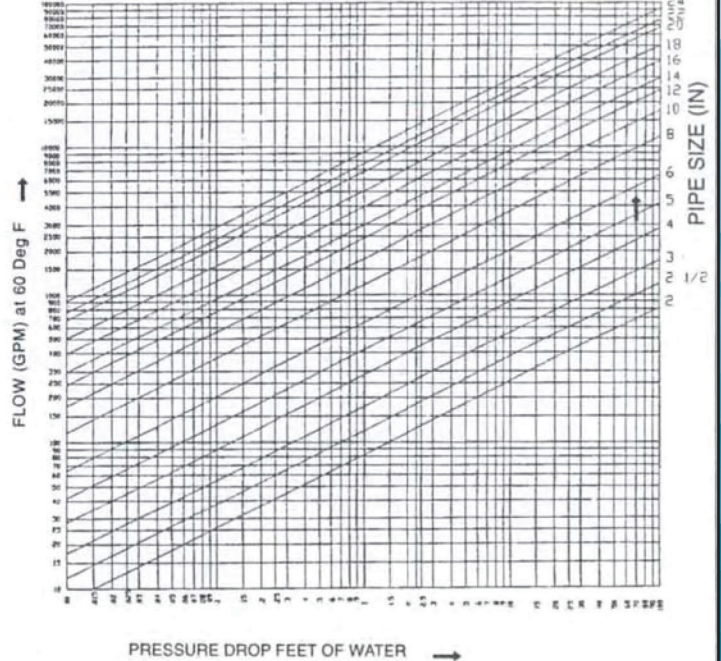


AIR SEPARATOR PRESSURE DROP CHARTS

Air Separator with Strainer

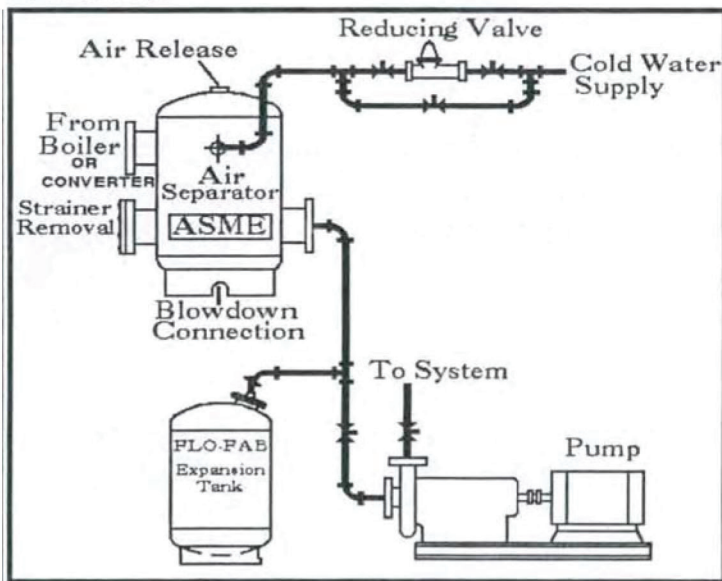


Air Separator without Strainer

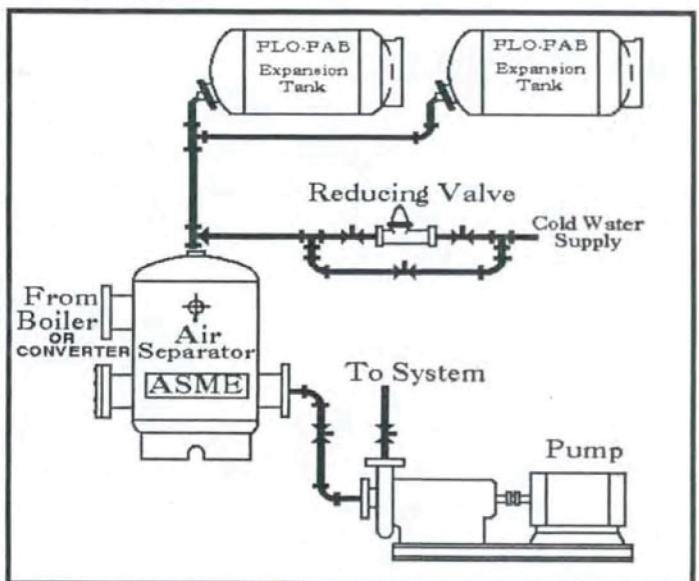


Typical Piping Details

Preferred



Traditional



We are proud supplier for the following completed and on going projects :



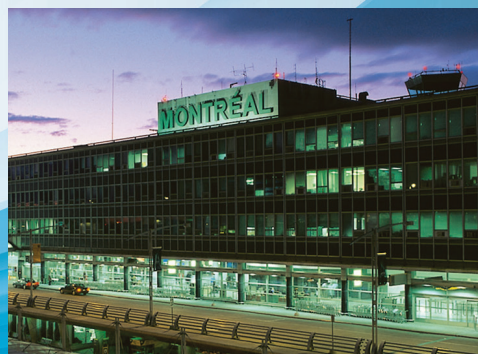
Las Positas College
3000 Campus Hill Dr,
Livermore, CA, USA
94551



The West Mall
25 The West Mall,
Toronto, ON
M9C 1B8



Baliscus
1075 Grand Héron Boul.,
Saint-Jérôme, QC, CA
J5L 1G2



**Montréal – P.E.T
International Airport,**
975 boul. Roméo-Vachon
Dorval, Quebec, H4Y 1H1

Sales and Service:

Quebec, Canada
Tel. : (450) 621-2995
Fax : (450) 621-4995

Lake Worth
Florida, USA
33467-5749

Toronto, Canada
Tel. : +1 (647) 544-2995

www.flofab.com

SERVICE 24/7 : parts@flofab.com

