



# Pressure Vessels

## BT Series

Replaceable Bladder Expansion Tank with Bottom System Connection

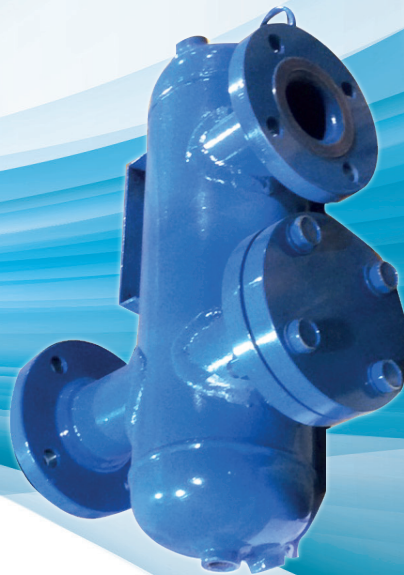


## RDT Series

Fixed Bladder Expansion Tank

## SEP Series

Vortex - Tangential Air Separator



## ADSR/AD Series

In-Line Air/Dirt Separator (With or Without Strainer)

## RLU/RWU Series

Hot Water Storage Tank



## CBT Series

Buffer Tank

[www.flofab.com](http://www.flofab.com)

003-cat-2019-pv

# TABLE OF CONTENT

|   |              |
|---|--------------|
| <b>RDT EXPANSION TANKS.....</b>                           | <b>2</b>     |
| <b>BT EXPANSION TANKS.....</b>                            | <b>3</b>     |
| <b>BT &amp; RDT EXPANSION TANKS.....</b>                  | <b>4</b>     |
| <b>INSTALLATION OF TANKS.....</b>                         | <b>5</b>     |
| <b>SEP VORTEX TANGENTIAL AIR SEPARATOR.....</b>           | <b>6-8</b>   |
| <b>ADSR/AD &amp; ADSF IN-LINE AIR/DIRT SEPARATOR.....</b> | <b>9-14</b>  |
| <b>RLU HOT WATER STORAGE TANK.....</b>                    | <b>15-20</b> |
| <b>RWU HOT WATER STORAGE TANK.....</b>                    | <b>21-24</b> |
| <b>CBT BUFFER TANK.....</b>                               | <b>25-26</b> |

## HISTORY

Flo Fab was established in 1981 by Denis Gauvreau who created and developed the product line, which is constantly being perfected by Marc Gauvreau and a team of professional engineers and designers. It is a combination of existing designs from several renowned products and the innovative ideas of a new generation professionals.

Through the years, Flo Fab has acquired several companies and service entities including: AQUA-PROFAB (ASME Tanks manufacturer), MÉNARD, LÉONARD ÉLECTRIQUE, PMA. Moreover, Flo Fab also purchased equipment, fabrication designs and patterns from IDEALCO, a manufacturer of shell and tube type heat exchangers.

The after-sales services, sales, engineering, R&D, production, quality control, accounting and administration departments of all the above companies share the same location.

In December 2014, Marc Gauvreau, son of the founder, acquired all of the company's shares. Flo Fab and is constantly investing in new state-of-the-art innovations, new products like the XRI series and Prefab Skid for Hydronic Heating & cooling system and pumping systems. This has allowed Flo Fab to retain our competent and qualified staff of professionals with a variety of specialized skills that continually work on improving our existing products and adding new engineered solutions that exceed customers' expectations .

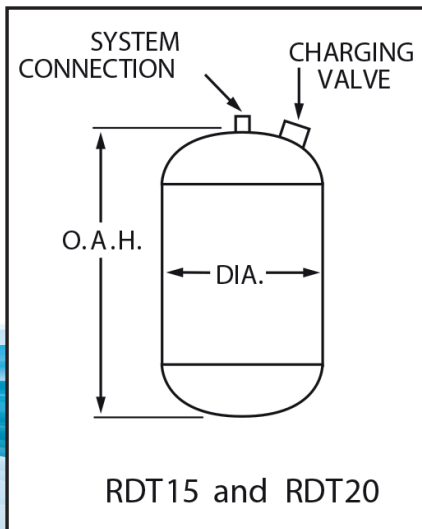
Flo Fab has grown quite rapidly and now proudly offers of a wide range of products available directly from one manufacturer. This includes pumps and pump packages, tanks, heat exchangers and hydronic accessories. This allows each project's stakeholders to enjoy economical savings, peace of mind, best value for their investment and optimized total cost of ownership.





# Product Specifications RDT

Flo Fab type RDT expansion tanks are designed for use in Hydronic heating/cooling systems to absorb the expansion force resulting from the changes in temperature of the heating/cooling fluid. As the system fluid expands, it is forced into the precharged tank to the maximum system pressure. The precharged air cushion then forces the fluid back into the system as it contracts. The extra heavy butyl diaphragm keeps the fluid permanently isolated from the precharged air cushion. This arrangement eliminates water logging and absorption of air into the system. It also helps prevent air bound terminal units, excessive corrosion, inefficient balancing and pump cavitation over the life of the system. The large acceptance volume allows maximum storage and reduction of up to 80% in tank size. Energy consumption is reduced by eliminating unnecessary system water volume.

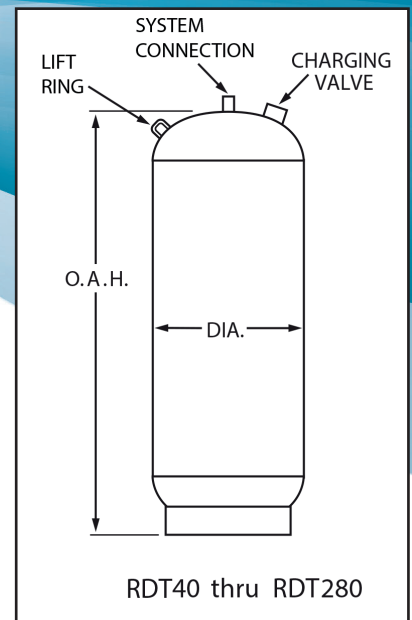


## RDT Expansion Tank

ASME fixed diaphragm type precharged expansion tanks for commercial and industrial heating/cooling systems available in sizes from 7.8 gallons to 211 gallons.

- ASME Section VIII construction and label
- Heavy duty butyl diaphragm
- Permanent separation of air and water
- Smaller sizes for easier handling, and saves space and installation costs
- Can be manifolded for more capacity
- Factory precharged 12 PSI and field adjustable

| ✓ | Model Number | Tank Volume (gal.) | Acceptance Volume (gal.) | N.P.T System Connection | Max Oper. Pressure (psi) | DIMENSIONS     |              | Approx. Weight (lbs) |
|---|--------------|--------------------|--------------------------|-------------------------|--------------------------|----------------|--------------|----------------------|
|   |              |                    |                          |                         |                          | Diameter (in.) | Height (in.) |                      |
|   | RDT 15       | 7.8                | 6.3                      | 3/4"                    | 150                      | 12             | 19           | 42                   |
|   | RDT 20       | 11                 | 8.8                      | 3/4"                    | 150                      | 12             | 25           | 52                   |
|   | RDT 40       | 25                 | 20.2                     | 1"                      | 150                      | 16             | 33           | 84                   |
|   | RDT 60       | 35                 | 28                       | 1"                      | 150                      | 16             | 44           | 97                   |
|   | RDT 80       | 45                 | 36                       | 1"                      | 125                      | 20             | 38           | 148                  |
|   | RDT 100      | 60                 | 48.5                     | 1"                      | 125                      | 20             | 49           | 175                  |
|   | RDT 120      | 70                 | 56.5                     | 1 1/2"                  | 125                      | 24             | 46           | 259                  |
|   | RDT 144      | 80                 | 65                       | 1 1/2"                  | 125                      | 24             | 49           | 268                  |
|   | RDT 180      | 90                 | 73                       | 1 1/2"                  | 125                      | 24             | 52           | 283                  |
|   | RDT 200      | 115                | 93                       | 1 1/2"                  | 125                      | 24             | 66           | 325                  |
|   | RDT 240      | 140                | 113.5                    | 1 1/2"                  | 125                      | 24             | 78           | 362                  |
|   | RDT 260      | 158                | 128                      | 1 1/2"                  | 125                      | 30             | 63           | 591                  |
|   | RDT 280      | 211                | 171                      | 1 1/2"                  | 125                      | 30             | 81           | 752                  |





● **Product Specifications**  
**BT**

**BT Expansion Tank**

ASME replaceable diaphragm type expansion tanks for commercial and industrial heating/cooling systems. Space saving tank comes in sizes of 10 to 3963 gallons.

- ASME Section VIII construction and label
- Permanent separation of air and water
- Never waterlogs
- Water is "in the bag." Steel tank never touches water and is not subject to corrosion
- Replacement diaphragm
- Smaller sizes for easier handling, and saves space and installation costs



125 P.S.I. operating pressure 240°F- maximum temperature at tank factory precharged 12 P.S.I.  
Prime painted exterior finish

| ✓ | Model Number | Tank and Acceptance Vol. (Gals) | Dimensions      |              | N.P.T. System Conn. | N.P.T. Aux. Conn. | Shipping Weight Pounds |     |
|---|--------------|---------------------------------|-----------------|--------------|---------------------|-------------------|------------------------|-----|
|   |              |                                 | Diame-ter (in.) | Height (in.) |                     |                   |                        |     |
|   | BT-12        | 10                              | 12              | 25           | 3/4"                | -                 | 40                     |     |
|   | BT-25        | 10                              | 12              | 25           |                     | -                 | 40                     |     |
|   | BT-35        | 10                              | 12              | 25           |                     | -                 | 40                     |     |
|   | BT-50        | 13                              | 14              | 25           |                     | -                 | 50                     |     |
|   | BT-75        | 23                              | 16              | 37           | 1"                  | 1/2"              | 90                     |     |
|   | BT-100       | 35                              | 20              | 37           |                     |                   | 125                    |     |
|   | BT-130       | 35                              | 20              | 37           |                     |                   | 125                    |     |
|   | BT-132       | 35                              | 20              | 37           |                     |                   | 125                    |     |
|   | BT-160       | 53                              | 24              | 43           | 1 1/2"              | 3/4"              | 210                    |     |
|   | BT-200       | 53                              | 24              | 43           |                     |                   | 210                    |     |
|   | BT-250       | 79                              | 24              | 55           |                     |                   | 225                    |     |
|   | BT-400       | 106                             | 30              | 49           |                     |                   | 300                    |     |
|   | BT-500       | 132                             | 30              | 57           |                     |                   | 335                    |     |
|   | BT-600       | 158                             | 30              | 65           |                     |                   | 360                    |     |
|   | BT-800       | 211                             | 32              | 76           |                     |                   | 475                    |     |
|   | BT-1000      | 264                             | 36              | 74           |                     |                   | -                      | 710 |
|   | BT-1200      | 317                             | 36              | 86           |                     |                   | -                      | 720 |
|   | BT-1400      | 370                             | 36              | 99           |                     |                   | -                      | 875 |
|   | BT-1600      | 422                             | 48              | 72           | -                   | 1100              |                        |     |
|   | BT-2000      | 528                             | 48              | 85           | -                   | 1280              |                        |     |
|   | BT-2500      | 660                             | 48              | 102          | 2                   | -                 | 1435                   |     |
|   | BT-3000L     | 792                             | 48              | 122          |                     | -                 | 1550                   |     |
|   | BT-3000S     | 792                             | 60              | 80           |                     | -                 | 2169                   |     |
|   | BT-4000      | 1056                            | 60              | 102          |                     | -                 | 2638                   |     |
|   | BT-5000      | 1320                            | 60              | 125          | -                   | 3246              |                        |     |
|   | BT-7500      | 1980                            | 72              | 127          | 3                   | -                 | 4005                   |     |
|   | BT-10000     | 2640                            | 72              | 159          |                     | -                 | 4845                   |     |
|   | BT-15000     | 3963                            | 72              | 233          |                     | -                 | 5925                   |     |

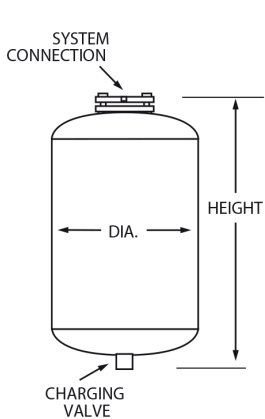


# Product Specifications

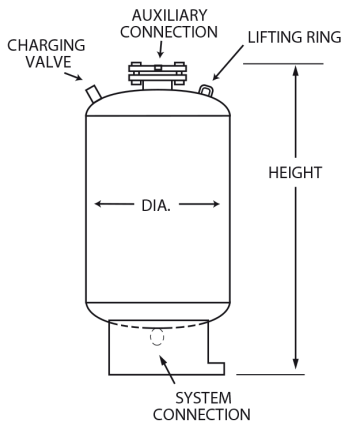
## BT

**OPTIONS :**

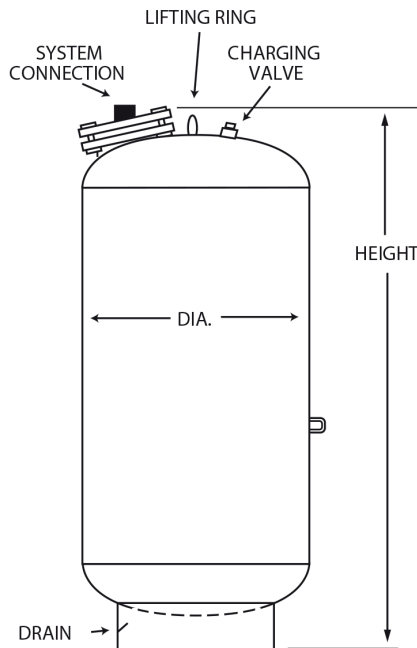
- Sight glass
- Antiseismic brackets
- External epoxy Finish
- Horizontal with saddles floor mounting
- Horizontal with straps ceiling mounting
- Off centered system connection tor Hydropneumatic tank
- 304 Stainless steel connection tor Hydropneumatic tank (For Potable Water)
- 316 Stainless steel connection tor Hydropneumatic tank
- 150 PSI rating
- 200 PSI rating
- 500 PSI rating



BT12 and BT50



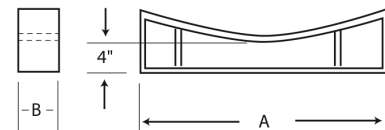
BT75 and BT800



BT 1000 thru  
BT1500 0

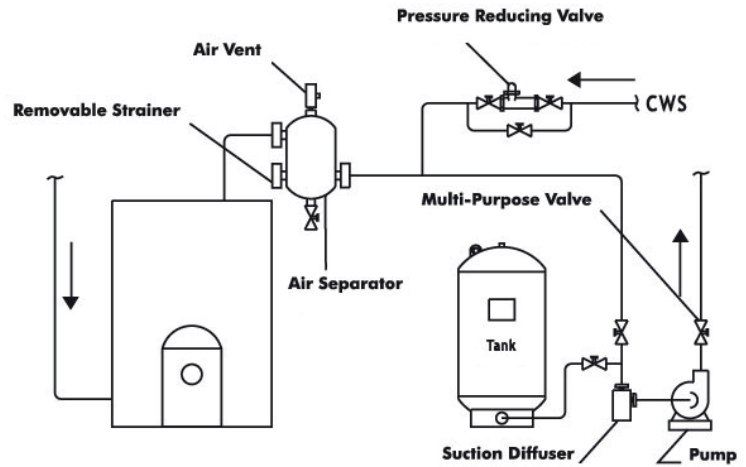
**Optional Saddles**

| Size | A  | B | Weight |
|------|----|---|--------|
| 12   | 10 | 3 | 18     |
| 14   | 11 | 3 | 19     |
| 16   | 13 | 3 | 21     |
| 20   | 14 | 4 | 25     |
| 24   | 17 | 4 | 28     |
| 30   | 21 | 5 | 38     |
| 36   | 25 | 5 | 52     |

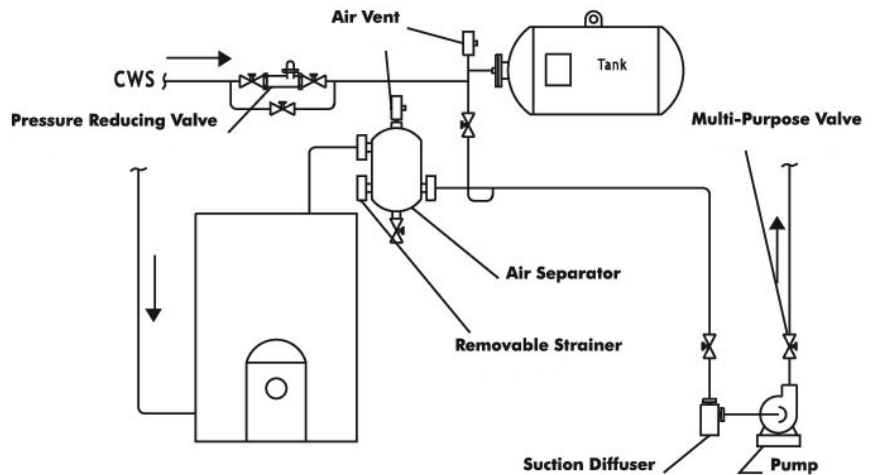


## • Installation Details

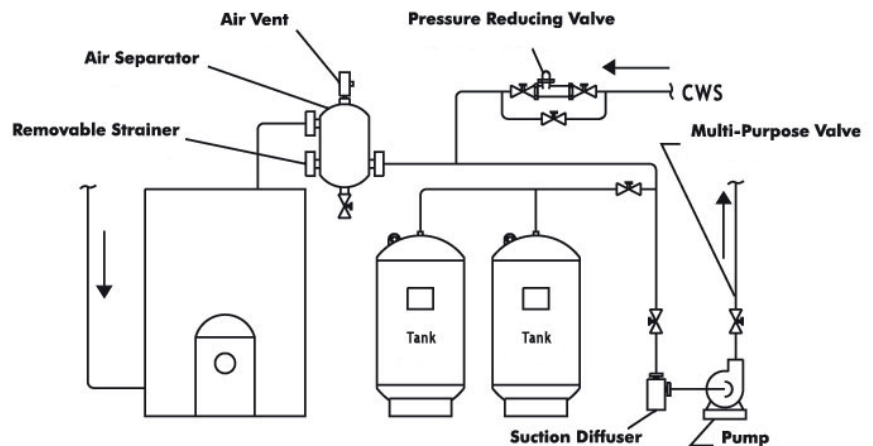
### SIMPLE INSTALLATION



### HORIZONTAL INSTALLATION (OPTIONAL)



### MULTI INSTALLATION





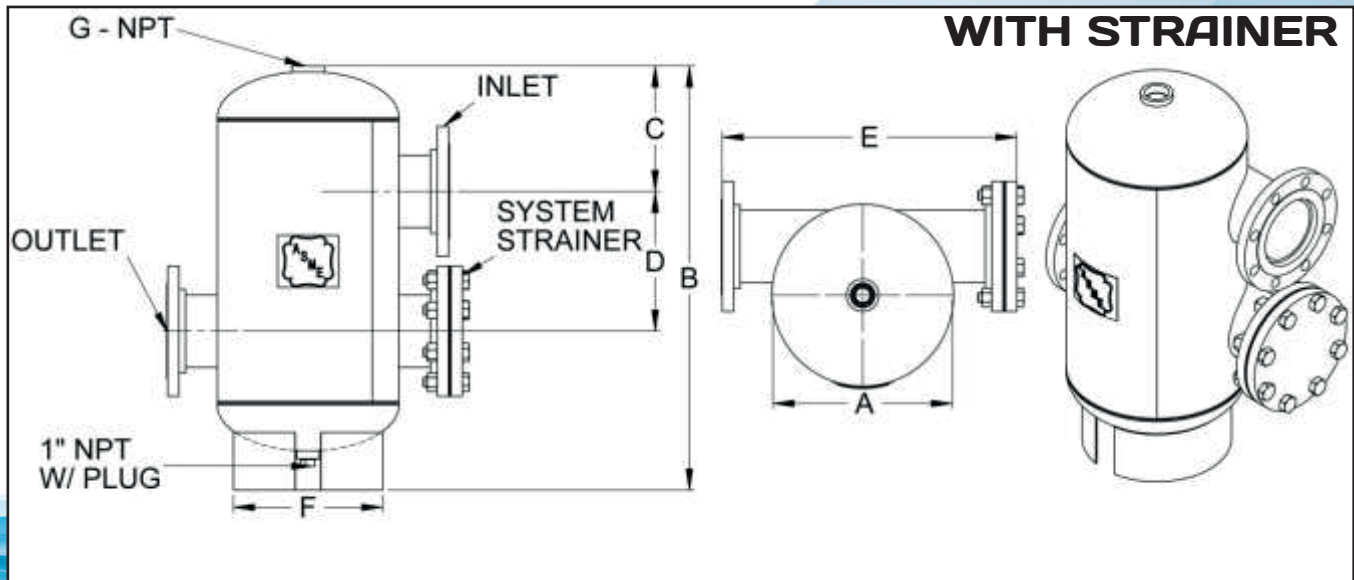
# Product Specifications

## SEP

Flo Fab SEP ASME Vortex type Air Separators eliminate air quickly and efficiently from open and closed loop heating/cooling systems. Water enters and exits through unique "tangential" connections, which promote a low velocity swirling effect in the center of the unit. Natural centrifugal forces allow the heavier air-free water to move toward the outer edges while entrained air is captured within the "eye" of the vortex and released out of the top of the separator. The bubble-free water then exits near the bottom of the unit, protecting the systems against the noise, corrosion, and damage commonly caused by entrained air. SEP units also include system strainer.

### Performance Limitations

|  |
|--|
| Maximum Design Temperature:<br>450°F   |
| Maximum Design Pressure:<br>150 PSI (2"-8" inlet/outlet)<br>125 PSI (10"-30" inlet/outlet) |
| *200 & 250 PSIG available  |



### Dimensions and Weights

| ✓ | Model Number | Dimensions in inches |    |        |        |        |        |        |       | Approx. Shipping Wt (lbs) |
|---|--------------|----------------------|----|--------|--------|--------|--------|--------|-------|---------------------------|
|   |              | Connection Size      | A  | B      | C      | D      | E      | F      | G     |                           |
|   | SEP-2-S      | 2 NPT                | 12 | 24 1/2 | 6 1/3  | 8 1/2  | 16 5/8 | 9 1/2  | 1 1/4 | 48                        |
|   | SEP-2.5-S    | 2.5 NPT              |    |        | 6 7/8  |        |        |        |       | 8                         |
|   | SEP-3-S      | 3                    |    | 25     | 8      | 19 3/4 | 92     |        |       |                           |
|   | SEP-4-S      | 4                    | 14 | 32     | 9 1/8  | 10 3/4 | 21 3/4 | 11 1/2 | 1 1/2 | 99                        |
|   | SEP-5-S      | 5                    |    |        | 10 3/4 |        |        |        |       | 21 3/4                    |
|   | SEP-6-S      | 6                    | 20 | 44     | 13 1/4 | 14 1/2 | 28     | 18     |       | 190                       |
|   | SEP-8-S      | 8                    |    |        | 14 1/2 |        |        |        |       | 28                        |
|   | SEP-10-S     | 10                   | 30 | 60 1/2 | 19     | 20     | 41     | 24     |       | 606                       |
|   | SEP-12-S     | 12                   |    |        |        |        |        |        |       | 31 1/2                    |
|   | SEP-14-S     | 14                   | 36 | 78     | 22     | 31 1/2 | 46 3/8 | 30     |       | 1138                      |
|   | SEP-16-S     | 16                   | 48 | 108    | 30     | 40     | 60     | 38     | 2     | 2520                      |
|   | SEP-18-S     | 18                   | 54 | 124    | 33     | 50     | 66     | 44     |       | 2973                      |
|   | SEP-20-S     | 20                   | 60 | 138    | 35     | 60     | 72     | 50     |       | 3904                      |
|   | SEP-22-S     | 22                   | 66 | 150    | 38     | 66     | 78     | 56     |       | 4684                      |
|   | SEP-24-S     | 24                   | 66 |        |        |        |        |        | 66    | 78                        |
|   | SEP-30-S     | 30                   | 72 |        |        | 68     | 84     | 66     | 7920  |                           |

Other size available upon request.

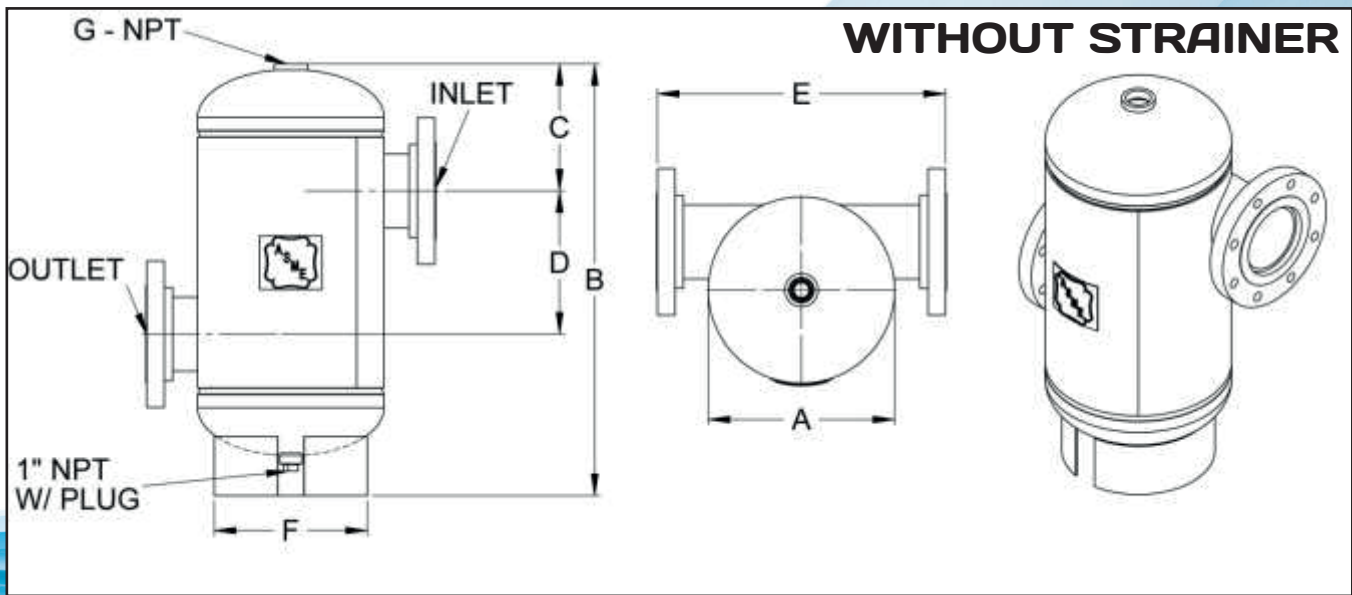
## Product Specifications

### SEP

Flo Fab SEP ASME Vortex type Air Separators eliminate air quickly and efficiently from open and closed loop heating/cooling systems. Water enters and exits through unique "tangential" connections, which promote a low velocity swirling effect in the center of the unit. Natural centrifugal forces allow the heavier air-free water to move toward the outer edges while entrained air is captured within the "eye" of the vortex and released out of the top of the separator. The bubble-free water then exits near the bottom of the unit, protecting the systems against the noise, corrosion, and damage commonly caused by entrained air. SEP units also include system strainer.

### Performance Limitations

Maximum Design Temperature:  
450°F  
Maximum Design Pressure:  
150 PSI (2"-8" inlet/outlet)  
125 PSI (10"-30" inlet/outlet)  
\*200 & 250 PSIG available



### Dimensions and Weights

| ✓ | Model Number | Dimensions in inches |    |        |        |        |        |       |       | Approx. Shipping Wt (lbs) |    |    |      |
|---|--------------|----------------------|----|--------|--------|--------|--------|-------|-------|---------------------------|----|----|------|
|   |              | Connection Size      | A  | B      | C      | D      | E      | F     | G     |                           |    |    |      |
|   | SEP-2-S      | 2 NPT                | 12 | 22 1/2 | 5 1/2  | 8 1/2  | 16 5/8 | 9 1/2 | 1 1/4 | 34                        |    |    |      |
|   | SEP-2.5-S    | 2.5 NPT              |    |        | 6 1/4  | 8      | 19 3/4 |       |       | 37                        |    |    |      |
|   | SEP-3-S      | 3                    |    |        | 9 1/8  | 10 3/4 | 21 3/4 |       |       | 45                        |    |    |      |
|   | SEP-4-S      | 4                    | 14 | 32     | 13 1/4 | 14 1/2 | 28     | 18    | 1 1/2 | 80                        |    |    |      |
|   | SEP-5-S      | 5                    |    |        |        |        |        |       |       | 17 1/2                    | 20 | 24 | 125  |
|   | SEP-6-S      | 6                    | 20 | 44     | 19     | 20     | 41     | 24    | 2     | 175                       |    |    |      |
|   | SEP-8-S      | 8                    |    |        |        |        |        |       |       | 26 1/2                    | 30 | 36 | 210  |
|   | SEP-10-S     | 10                   |    |        |        |        |        |       |       | 32 1/2                    | 38 | 46 | 460  |
|   | SEP-12-S     | 12                   | 30 | 60 1/2 | 38     | 44     | 52     | 30    | 2     | 577                       |    |    |      |
|   | SEP-14-S     | 14                   |    |        |        |        |        |       |       | 44 1/2                    | 46 | 60 | 850  |
|   | SEP-16-S     | 16                   |    |        |        |        |        |       |       | 50 1/2                    | 50 | 68 | 1858 |
|   | SEP-18-S     | 18                   | 54 | 124    | 40     | 50     | 66     | 44    | 2     | 2490                      |    |    |      |
|   | SEP-20-S     | 20                   |    |        |        |        |        |       |       | 56 1/2                    | 54 | 72 | 3346 |
|   | SEP-22-S     | 22                   |    |        |        |        |        |       |       | 62 1/2                    | 58 | 78 | 3879 |
|   | SEP-24-S     | 24                   | 66 | 150    | 38     | 66     | 80     | 56    | 2     | 4211                      |    |    |      |
|   | SEP-30-S     | 30                   |    |        |        |        |        |       |       | 72                        | 68 | 84 | 66   |

Other size available upon request.

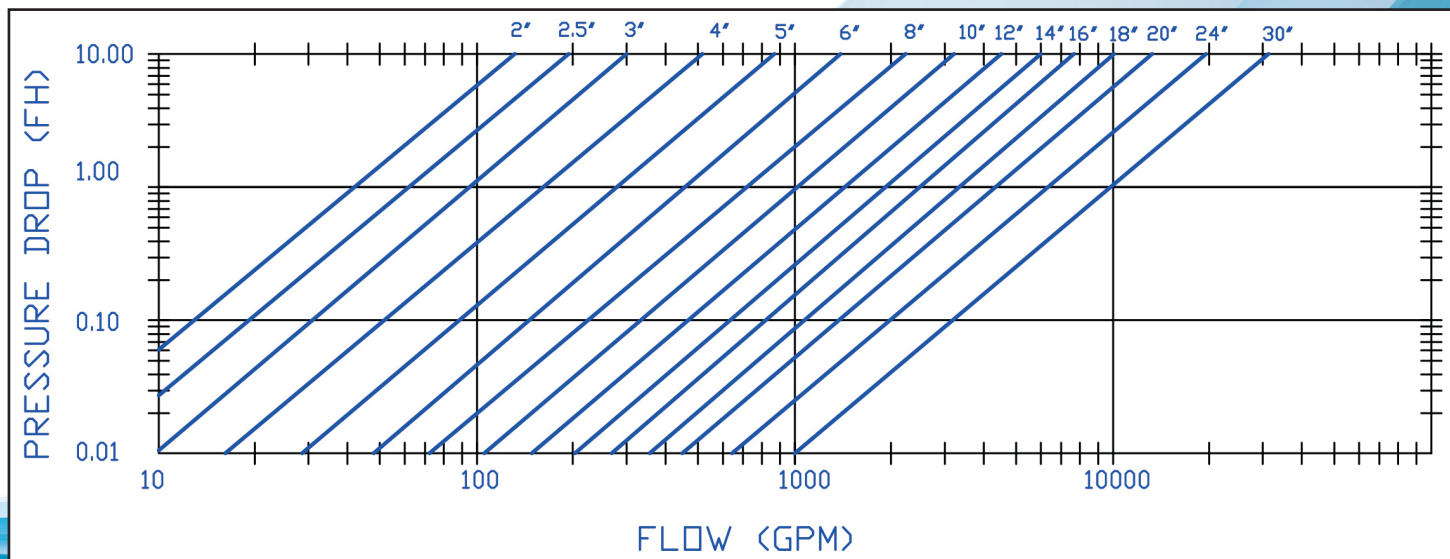




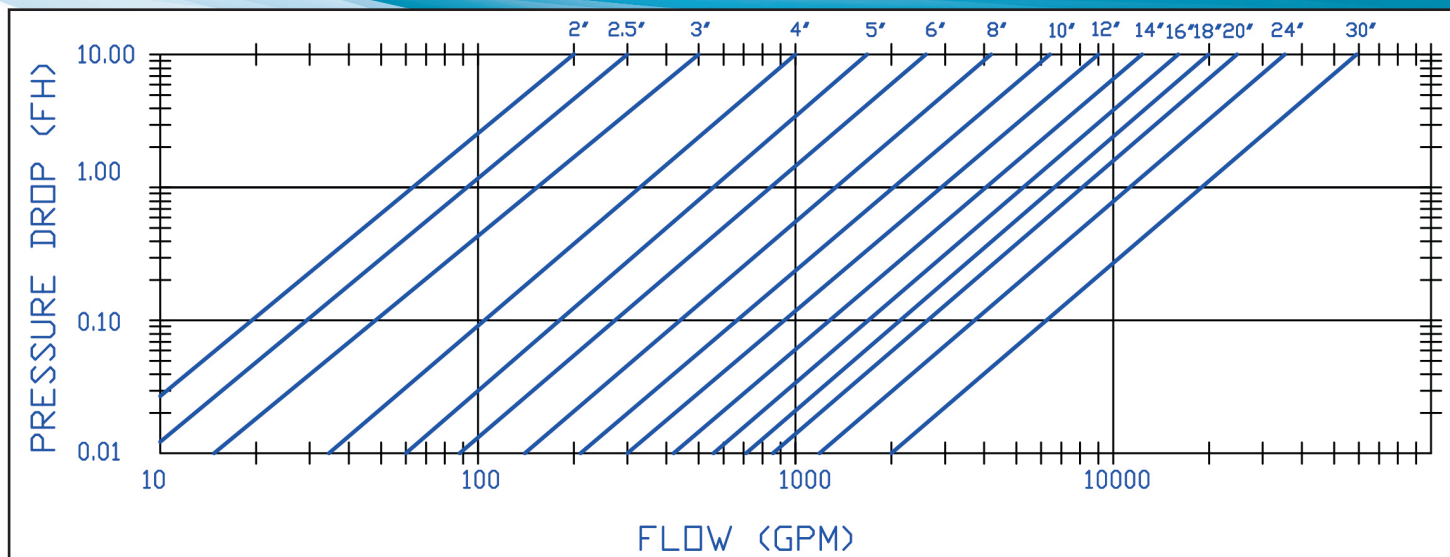
# ● Performance Curves SEP

Pressure Drop Charts Comparing Feet of Head Versus Flow in Gallons Per Minute for Tangential Flo Fab Air Separators...

## With Strainer



## Without Strainer





# Product Specifications

## ADSR

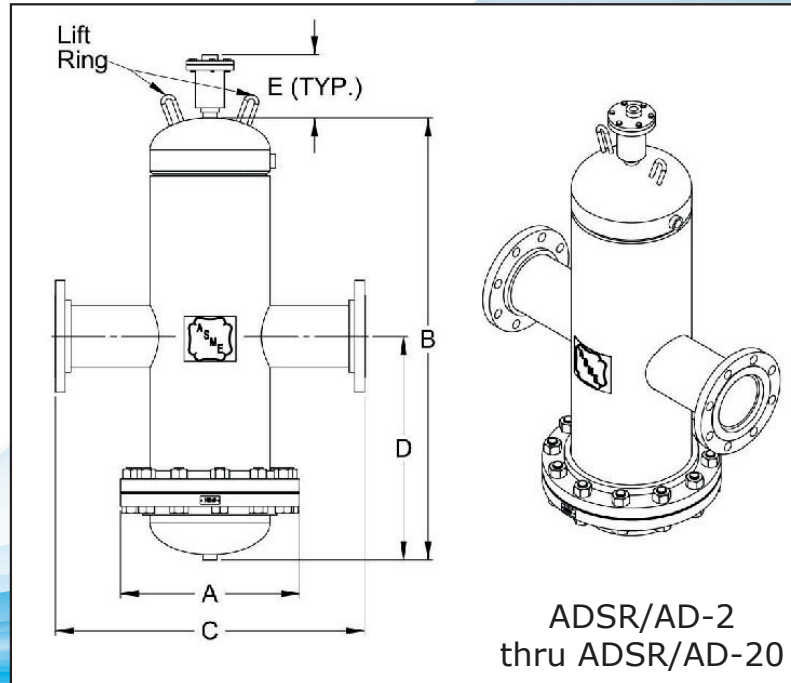
Furnish and install, as shown on plans, a ADSR- \_\_\_\_\_ Air & Dirt Separator as manufactured by FloFab. Each separator must be designed with a blow down valve, skim valve, and automatic air vent. The separator must also utilize in its design a stainless steel coalescing medium to aid in the separation of air and dirt in the systems entrained water. The separator must be constructed in accordance with most recent addendum of Section VIII Division 1 of the ASME Boiler and Pressure Vessel Code and shall be constructed and stamped for 125 PSI working pressure @ 250°F.

Flo Fab ADSR series Air & Dirt Separators are designed to eliminate entrained air and separate debris associated with start-up and maintenance of any hydronic systems. The design incorporates a skim valve, used to eliminate floating debris, removable end cover for coalescing medium access, and an air vent to automatically release air from the separator.

### Performance Limitations

Maximum Design Temperature:  
250°F  
Maximum Design Pressure:  
125 PSIG\*

\*150, 200 & 250 PSIG available



ADSR/AD-2 thru ADSR/AD-20

| ✓ | Model Number | Dimensions in inches |        |    |        |        | Approx. Shipping Wt (lbs) | Flow GPM |      |
|---|--------------|----------------------|--------|----|--------|--------|---------------------------|----------|------|
|   |              | Connection Size      | A      | B  | C      | D      |                           |          |      |
|   | ADSR-2       | 2                    | 9      | 23 | 15 1/4 | 11 1/2 | 8 5/8                     | 100      | 69   |
|   | ADSR-2-NPT   |                      |        |    | 9      |        |                           | 90       | 69   |
|   | ADSR-2.5     | 2.5                  | 10     | 29 | 15 3/4 | 125    |                           | 108      |      |
|   | ADSR-2.5-NPT |                      |        |    | 10 1/2 | 115    |                           | 108      |      |
|   | ADSR-3       | 3                    | 11     | 29 | 20 1/4 | 14 1/2 |                           | 150      | 144  |
|   | ADSR-3-NPT   |                      |        |    | 12 3/4 |        |                           | 130      | 144  |
|   | ADSR-4       | 4                    | 13 1/2 | 29 | 20 5/8 | 19 1/2 |                           | 250      | 255  |
|   | ADSR-4-NPT   |                      |        |    | 15     |        |                           | 210      | 255  |
|   | ADSR-5       | 5                    | 16     | 39 | 27 3/4 | 19 1/2 |                           | 310      | 398  |
|   | ADSR-6       | 6                    | 19     |    |        |        |                           | 375      | 570  |
|   | ADSR-8       | 8                    | 23 1/2 | 49 | 33 5/8 | 24 1/2 |                           | 700      | 945  |
|   | ADSR-10      | 10                   | 27 1/2 | 65 | 37 1/2 | 32 1/2 |                           | 1000     | 1440 |
|   | ADSR-12      | 12                   | 32     | 76 | 42 1/2 | 38     | 1500                      | 2100     |      |
|   | ADSR-14      | 14                   | 30     | 78 | 48     | 39     | 1800                      | 6500     |      |
|   | ADSR-16      | 16                   | 30     | 78 | 48     | 39     | 1950                      | 2200     |      |
|   | ADSR-18      | 18                   | 36     | 78 | 48     | 39     | 2700                      | 10 000   |      |
|   | ADSR-20      | 20                   | 42     | 84 | 56     | 42     | 2900                      | 3500     |      |

Other size available upon request.



# Product Specifications

ADSR

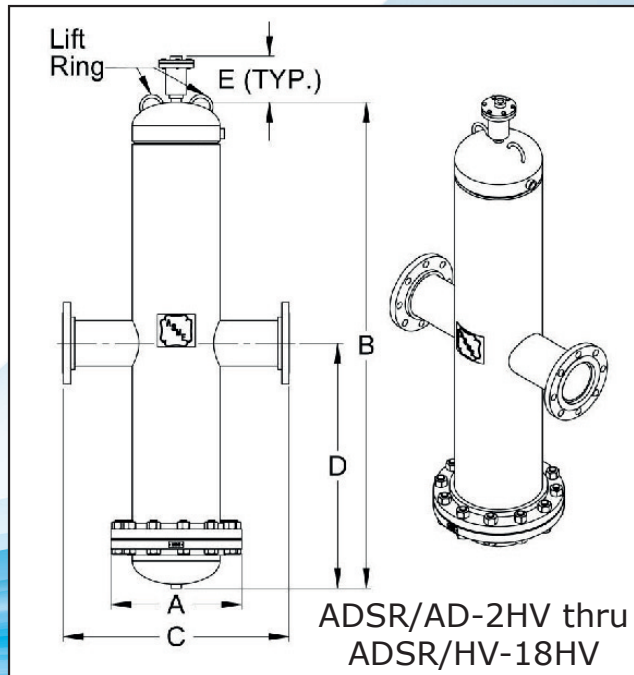
HV

Furnish and install, as shown on plans, a ADSR- \_\_\_\_\_ -HV High Velocity Air & Dirt Separator as manufactured by Flo Fab. Each separator must be designed with a blow down valve, skim valve, and automatic air vent. The separator must also utilize in its design a stainless steel coalescing medium to aid in the separation of air and dirt in the systems entrained water. The separator must be constructed in accordance with most recent addendum of Section VIII Division 1 of the ASME Boiler and Pressure Vessel Code and shall be constructed and stamped for 125 PSI working pressure @ 250°F.

Flo Fab ADSR-HV (High Velocity) series Air & Dirt Separators are designed to eliminate entrained air and separate debris associated with start-up and maintenance of any hydronic systems. The design incorporates a skim valve, used to eliminate floating debris, removable end cover for coalscing medium access, and an air vent to automatically release air from the separator.

### Performance Limitations

Maximum Design Temperature:  
250°F  
Maximum Design Pressure:  
125 PSIG\*  
\*150, 200 & 250 PSIG available

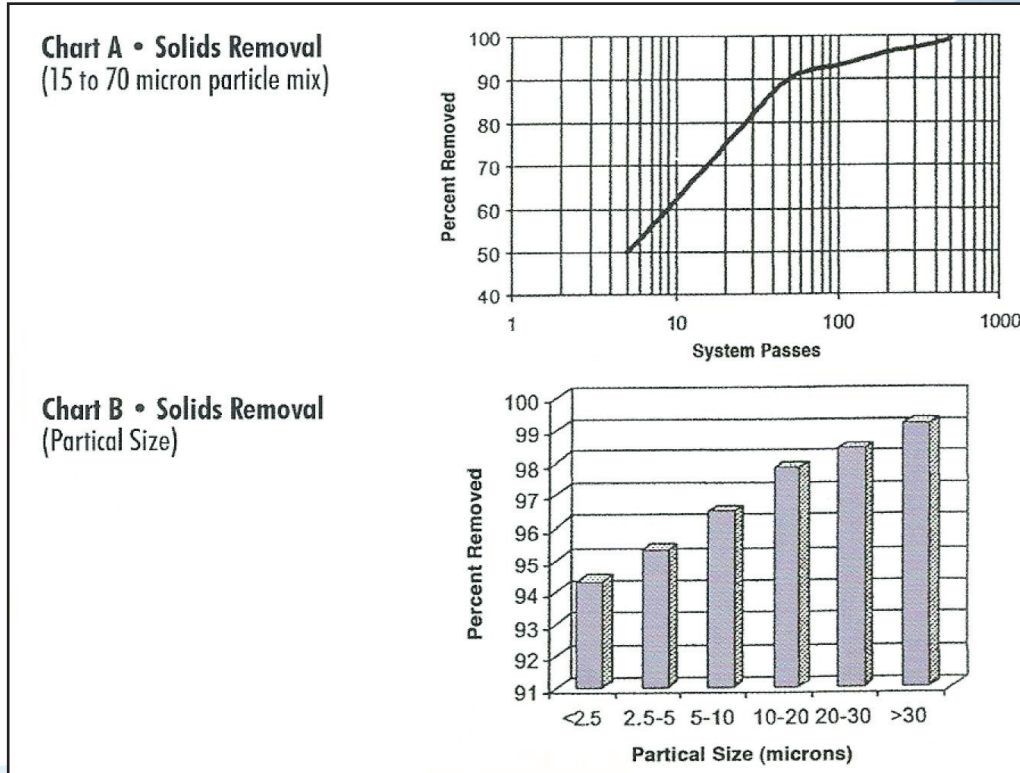


| √ Model Number | Dimensions in inches |        |     |        |        |       | Approx. Shipping Wt (lbs) | Flow GPM |     |
|----------------|----------------------|--------|-----|--------|--------|-------|---------------------------|----------|-----|
|                | Connection Size      | A      | B   | C      | D      | E     |                           |          |     |
| ADSR-2HV       | 2                    | 9      | 33  | 15 1/8 | 16 1/2 | 8 5/8 | 110                       | 105      |     |
| ADSR-2HV-NPT   |                      |        |     | 9      |        |       | 100                       | 105      |     |
| ADSR-2.5HV     | 2.5                  | 10     |     | 15 3/4 |        |       | 140                       | 155      |     |
| ADSR-2.5HV-NPT |                      |        |     | 10 1/2 |        |       | 125                       | 155      |     |
| ADSR-3HV       | 3                    | 11     | 42  | 20 1/4 | 21     |       | 175                       | 225      |     |
| ADSR-3HV-NPT   |                      |        |     | 12 3/4 |        |       | 155                       | 225      |     |
| ADSR-4HV       | 4                    | 13 1/2 |     | 20 5/8 |        |       | 29 1/2                    | 275      | 405 |
| ADSR-4HV-NPT   |                      |        |     | 15     |        |       |                           | 235      | 405 |
| ADSR-5HV       | 5                    | 16     | 59  | 27 3/4 | 29 1/2 |       | 475                       | 630      |     |
| ADSR-6HV       | 6                    | 19     |     |        |        |       | 525                       | 910      |     |
| ADSR-8HV       | 8                    | 23 1/2 | 75  | 33 5/8 | 37 3/4 |       | 825                       | 1610     |     |
| ADSR-10HV      | 10                   | 27 1/2 | 92  | 37 1/2 | 46     |       | 1275                      | 2450     |     |
| ADSR-12HV      | 12                   | 32     | 110 | 42 1/2 | 55     | 2050  | 3500                      |          |     |
| ADSR-14HV      | 14                   | 30     | 110 | 48     | 55     | 2880  | 4100                      |          |     |
| ADSR-16HV      | 16                   | 32     | 110 | 48     | 55     | 2600  | 5500                      |          |     |
| ADSR-18HV      | 18                   | 36     | 110 | 52     | 55     | 3010  | 7100                      |          |     |
| ADSR-20HV      | 20                   | 42     | 110 | 56     | 55     | 3770  | 8800                      |          |     |

Other size available upon request.



# ● Performance Curves ADSR



### AIR REMOVAL

independent third party laboratory testing has concluded that Flo Fab ADSR/AD Air & Dirt separator will eliminate air to a level at greater than 99.5%. This testing was accomplished with measurements of dissolved oxygen and observation at bubbles over time. Results concluded that within 15 to 45 minutes, 50% at the dissolved oxygen was removed. With sufficient time (less than two hours), the dissolved oxygen level was reduced to less than 0.1%

### DIRT REMOVAL

Dirt flowing with the system water is diverted to the ADSR/AD Air & Dirt Separator As this flow enters the unit, dirt particle removal (dependent an system cycles) is measured according to particle size Results from testing are revealed in Charts A and 8 below. From Chart A. 90% of dirt lin the I5 to 70 micron size) is separated and diverted to the bottom of the Wess-Vent. With continual system cycling dirt removal will approach 99%. Chart B reveals the particle size removal percentage in 24 hours of operation For example more than 97% of particles in the 10 to 20 micron size range were separated.



# Product Specifications

## ADSF

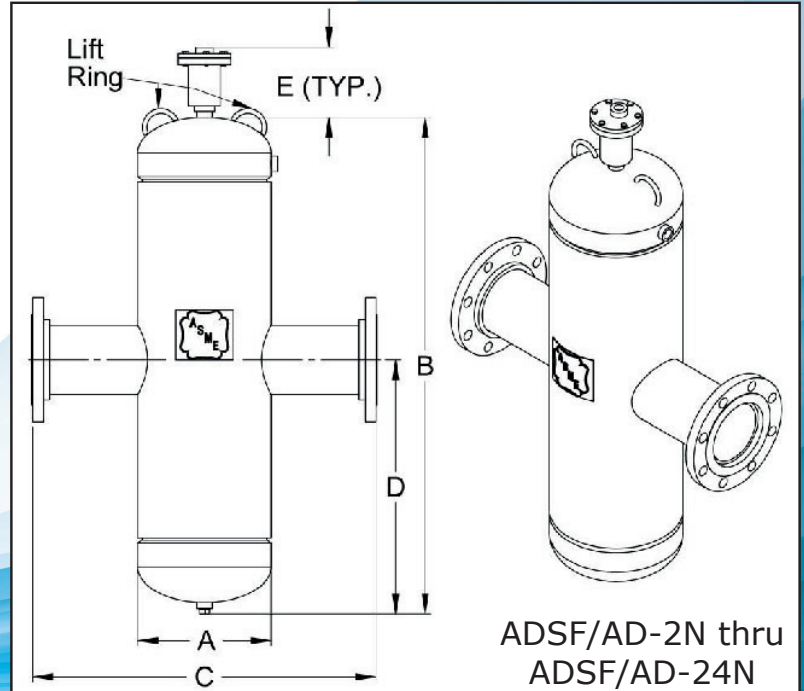
Furnish and install, as shown on plans, a ADSF- \_\_\_\_\_ -N Air & Dirt Separator as manufactured by Flo Fab. Each separator must be designed with a blow down valve, skim valve, and automatic air vent. The separator must also utilize in its design a stainless steel coalescing medium to aid in the separation of air and dirt in the systems entrained water. The separator must be constructed in accordance with most recent addendum of Section VIII Division 1 of the ASME Boiler and Pressure Vessel Code and shall be constructed and stamped for 125 PSI working pressure @ 250°F.

Flo Fab ADSF-N (Non-Removable) series Air & Dirt Separators are designed to eliminate entrained air and separate debris associated with start-up and maintenance of any hydronic systems. The design incorporates a skim valve, used to eliminate floating debris, and an air vent to automatically release air from the separator.

### Performance Limitations

Maximum Design Temperature:  
250°F  
Maximum Design Pressure:  
125 PSIG\*

\*150, 200 & 250 PSIG available



### Dimensions and Weights

| ✓ | Model Number  | Dimensions in inches |       |          |        |         | Approx. Shipping Wt (lbs) |
|---|---------------|----------------------|-------|----------|--------|---------|---------------------------|
|   |               | Connection Size      | A     | B        | C      | D       |                           |
|   | ADSF-2N       | 2                    | 4 1/2 | 23       | 15 1/4 | 11 1/2  | 8 5/8                     |
|   | ADSF-2N-NPT   |                      |       |          | 9      |         |                           |
|   | ADSF-2.5N     | 15 3/4               |       |          |        |         |                           |
|   | ADSF-2.5N-NPT | 2.5                  | 5 1/2 | 10 1/2   | 14 1/2 |         |                           |
|   | ADSF-3N       |                      |       | 20 1/4   |        |         |                           |
|   | ADSF-3N-NPT   | 3                    | 6 1/2 | 12 3/4   | 19 1/2 |         |                           |
|   | ADSF-4N       |                      |       | 20 5/8   |        |         |                           |
|   | ADSF-4N-NPT   | 4                    | 8 1/2 | 15       | 24 1/2 |         |                           |
|   | ADSF-5N       |                      |       | 27 3/4   |        |         |                           |
|   | ADSF-6N       | 5                    | 10    | 39       | 32 1/2 |         |                           |
|   | ADSF-8N       | 6                    | 12    |          |        |         |                           |
|   | ADSF-10N      | 8                    | 16    | 49       | 38     |         |                           |
|   | ADSF-12N      | 10                   | 20    | 65       | 33     | 11 5/16 |                           |
|   | ADSF-14N      | 12                   | 24    | 76       | 33     | 11 5/16 |                           |
|   | ADSF-16N      | 14                   | 30    | 73       | 34 1/8 | 13      |                           |
|   | ADSF-18N      | 16                   | 30    | 79 13/16 | 61     | 14      |                           |
|   | ADSF-20N      | 18                   | 36    | 108      | 61 3/8 | 16      |                           |
|   | ADSF-24N      | 20                   | 42    | 120      | 72     |         |                           |
|   |               | 24                   | 48    | 144      | 73     |         |                           |

Other size available upon request.



# Product Specifications

## ADSF HV

Furnish and install, as shown on plans, a ADSF- \_\_\_\_\_ -N-HV High Velocity Air & Dirt Separator as manufactured by Flo Fab Company. Each separator must be designed with a blow down valve, skim valve, and automatic air vent. The separator must also utilize in its design a stainless steel coalescing medium to aid in the separation of air and dirt in the systems entrained water. The separator must be constructed in accordance with most recent addendum of Section

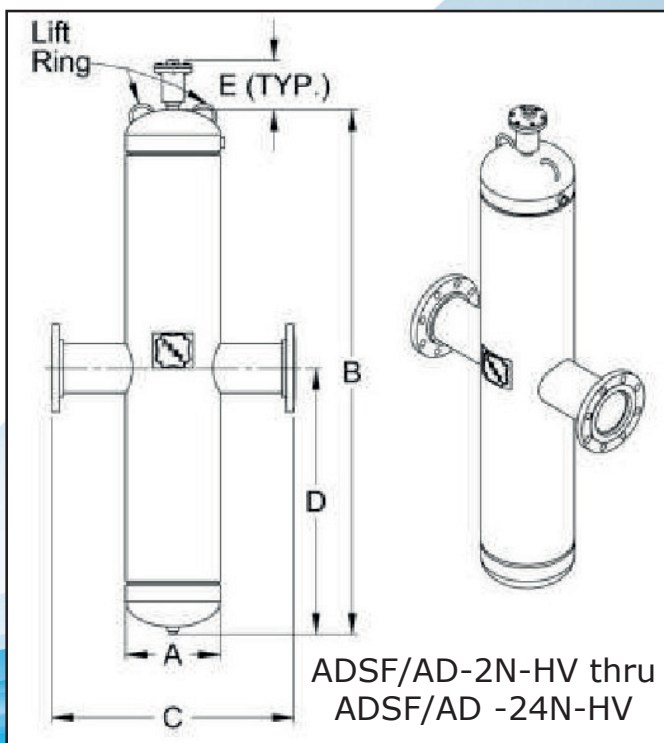
VIII Division 1 of the ASME Boiler and Pressure Vessel Code and shall be constructed and stamped for 125 PSI working pressure @ 250°F.

Flo Fab ADSF-N-HV (Non-Removeable High Velocity) series Air & Dirt Separators are designed to eliminate entrained air and separate debris associated with start-up and maintenance of any hydro-nic systems. The design incorporates a skim valve, used to eliminate floating debris, and an air vent to automatically release air from the separator.

### Performance Limitations

Maximum Design Temperature:  
250°F  
Maximum Design Pressure:  
125 PSIG\*

\*150, 200 & 250 PSIG available



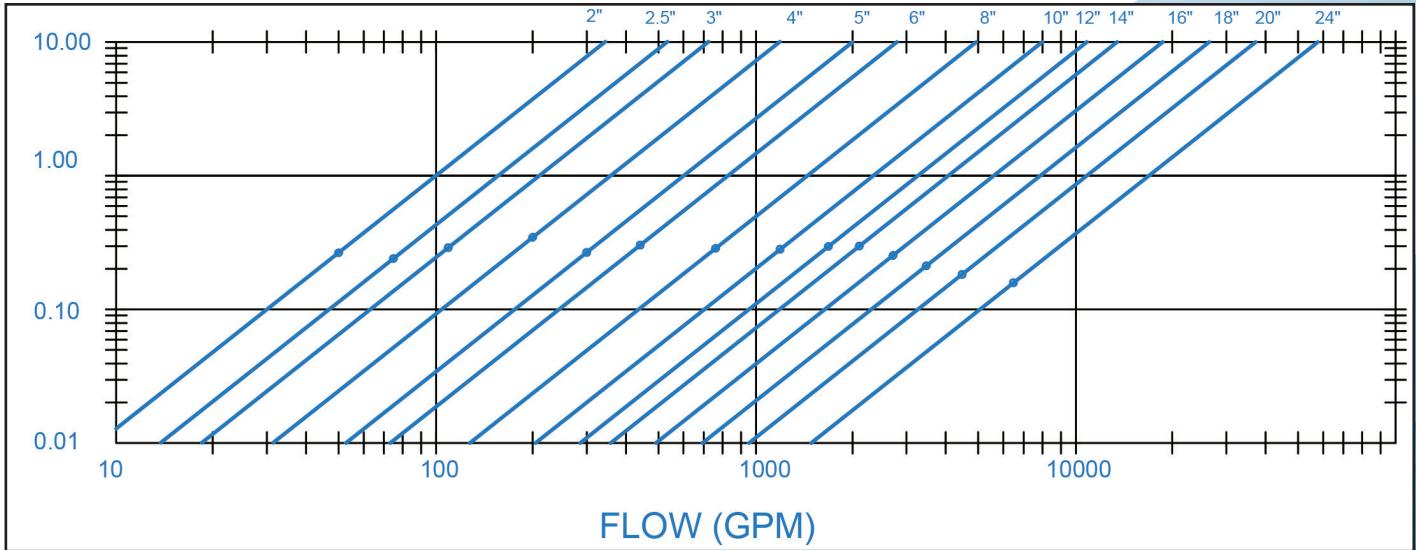
Other size available upon request.

| √ | Model Number     | Dimensions in inches |       |              |        |        | Approx. Shipping Wt (lbs) |       |
|---|------------------|----------------------|-------|--------------|--------|--------|---------------------------|-------|
|   |                  | Connection Size      | A     | B            | C      | D      |                           | E     |
|   | ADSF-2N-HV       | 2                    | 4 1/2 | 33           | 15 3/4 | 16 1/2 | 8 5/8                     | 105   |
|   | ADSF-2N-HV-NPT   |                      |       |              | 9      |        |                           | 105   |
|   | ADSF-2.5N-HV     | 2.5                  | 5 1/2 |              | 15 3/4 |        |                           | 155   |
|   | ADSF-2.5N-HV-NPT |                      |       |              | 10 1/2 |        |                           | 155   |
|   | ADSF-3N-HV       | 3                    | 6 1/2 | 42           | 20 1/4 | 21     |                           | 225   |
|   | ADSF-3N-HV-NPT   |                      |       |              | 12 3/4 |        |                           | 225   |
|   | ADSF-4N-HV       | 4                    | 8 1/2 |              | 20 5/8 |        |                           | 405   |
|   | ADSF-4N-HV-NPT   |                      |       |              | 14 3/4 |        |                           |       |
|   | ADSF-5N-HV       | 5                    | 10    | 59           | 27 3/4 | 29 1/2 |                           | 630   |
|   | ADSF-6N-HV       | 6                    | 12    |              |        |        |                           | 910   |
|   | ADSF-8N-HV       | 8                    | 16    |              |        |        |                           | 75    |
|   | ADSF-10N-HV      | 10                   | 20    | 92           | 37 1/2 | 46     |                           | 2450  |
|   | ADSF-12N-HV      | 12                   | 24    | 110          | 42 1/2 | 55     | 3500                      |       |
|   | ADSF-14N-HV      | 14                   | 36    | 102<br>15/16 | 49 5/8 | 53 1/4 | 13                        | 4703  |
|   | ADSF-16N-HV      | 16                   |       |              | 51     |        |                           | 6264  |
|   | ADSF-18N-HV      | 18                   |       |              | 162    |        |                           | 56    |
|   | ADSF-20N-HV      | 20                   | 42    | 180          | 61 3/8 | 91     | 14                        | 9978  |
|   | ADSF-24N-HV      | 24                   | 48    | 216          | 72     | 109    | 16                        | 14555 |

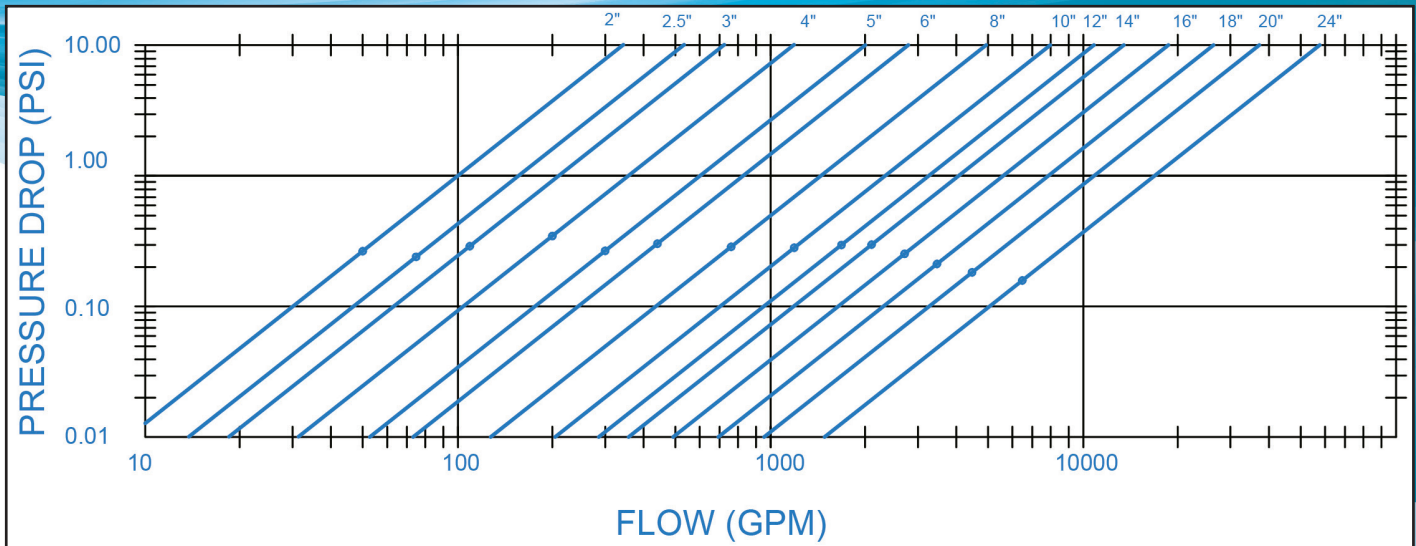


# ● Performance Curves

## ADSF



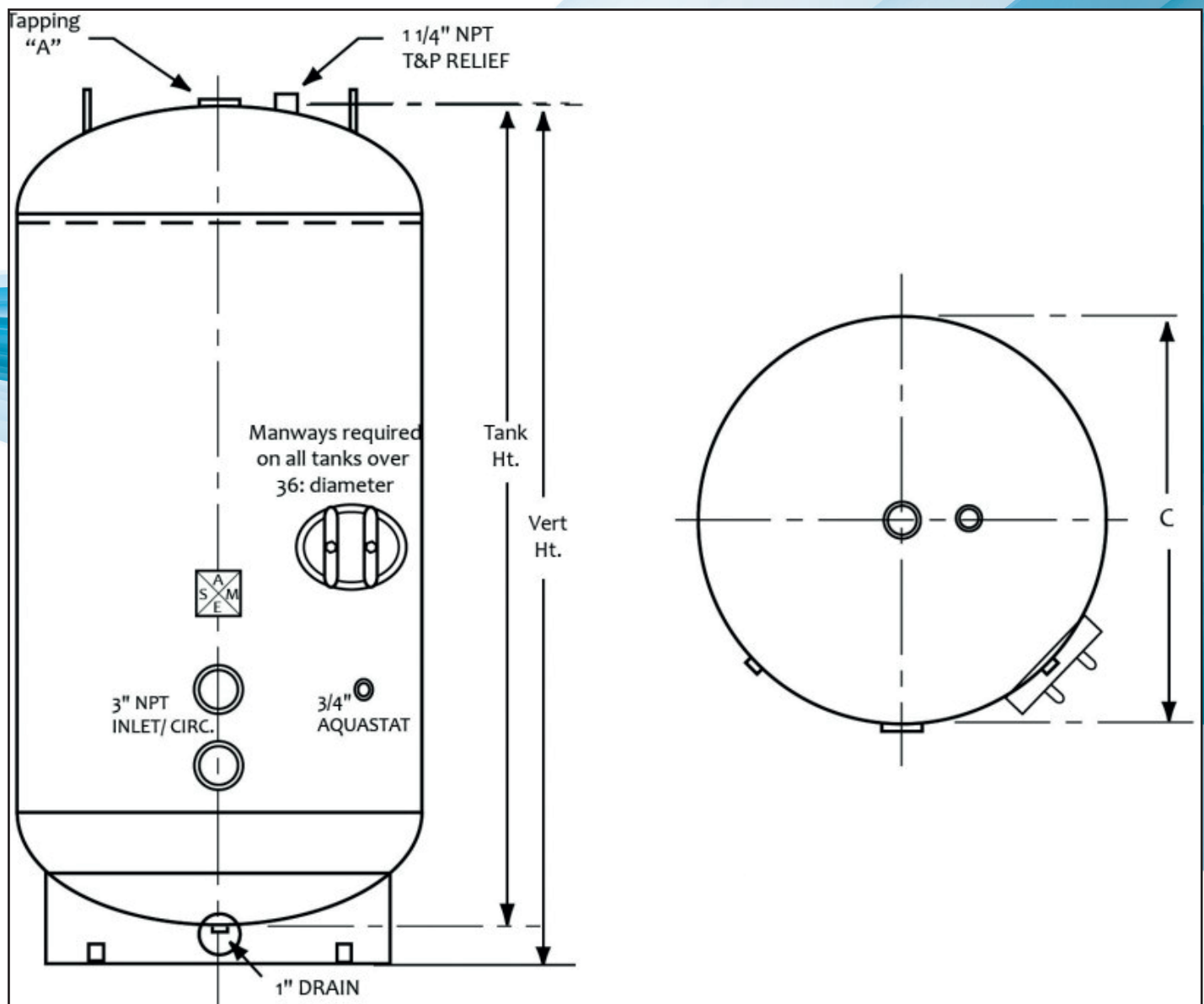
## ADSFHV





## ● Product Specifications RLUV

Flo Fab Tank maintains a large selection of standard Large volume hot water storage tanks in inventory which are available for quick ship. Inventory gallon sizes range from 210 gallon up to 1000 gallons. All tanks are vertical/horizontal, glass lined with oxide primer. Refer to our submittal pages for details on tank fitting configuration. Manways are required on all tanks OVER 36" diameter and our pricing reflects that requirement. Manways are optional on 36" diameter and below. All bare vertical tanks come standard with lifting lugs. Each tank is hydro-tested and independently inspected as ASME regulations require. Need more than what is available in our standard sizes? We can build to your specifications. Fitting changes, flanges, linings and exterior finishes, high pressures are all available but current lead times will apply. Please visit our Get A Quote page and tell us what you're looking for. When ordering or requesting a quotation, please let us know the number of fittings or nozzles, operating pressure and temperature. If needed, legs can be substituted for skirts. Please refer to our options page for information on our Powered Anode system and other items.







# RLU HOT WATER STORAGE TANK

Other size available upon request.

| ✓ | Model Number | Actual Gal. Cap. | Nominal Gal.Cap. | Vertical HT. | Tank.HT. | Base Clr. | DIA. | Tapping "A" | Weight @125# |
|---|--------------|------------------|------------------|--------------|----------|-----------|------|-------------|--------------|
|   | RLUV-30-063  | 175              | 193              | 67"          | 63"      | 4"        | 30"  | 2.5"        | 340          |
|   | RLUV-30-075  | 210              | 229              | 79           | 75       | 4         | 30   | 2.5         | 387          |
|   | RLUV-30-085  | 240              | 260              | 89           | 85       | 4         | 30   | 2.5         | 420          |
|   | RLUV-30-099  | 280              | 303              | 103          | 99       | 4         | 30   | 2.5         | 483          |
|   | RLUV-30-111  | 320              | 340              | 115          | 111      | 4         | 30   | 2.5         | 530          |
|   | RLUV-36-072  | 285              | 317              | 76           | 72       | 4         | 36   | 2.5         | 550          |
|   | RLUV-36-078  | 310              | 344              | 82           | 78       | 4         | 36   | 2.5         | 588          |
|   | RLUV-36-085  | 340              | 375              | 89           | 85       | 4         | 36   | 2.5         | 633          |
|   | RLUV-36-090  | 360              | 397              | 94           | 90       | 4         | 36   | 2.5         | 664          |
|   | RLUV-36-102  | 415              | 449              | 106          | 102      | 4         | 36   | 2.5         | 742          |
|   | RLUV-36-114  | 465              | 502              | 118          | 114      | 4         | 36   | 2.5         | 818          |
|   | RLUV-36-126  | 515              | 555              | 130          | 126      | 4         | 36   | 2.5         | 894          |
|   | RLUV-42-081  | 435              | 486              | 85           | 81       | 4         | 42   | 3           | 783          |
|   | RLUV-42-084  | 455              | 504              | 88           | 84       | 4         | 42   | 3           | 805          |
|   | RLUV-42-093  | 505              | 558              | 97           | 93       | 4         | 42   | 3           | 874          |
|   | RLUV-42-105  | 575              | 630              | 109          | 105      | 4         | 42   | 3           | 963          |
|   | RLUV-42-117  | 645              | 702              | 121          | 117      | 4         | 42   | 3           | 1052         |
|   | RLUV-42-129  | 720              | 774              | 133          | 129      | 4         | 42   | 3           | 1140         |
|   | RLUV-42-139  | 776              | 834              | 143          | 139      | 4         | 42   | 3           | 1217         |
|   | RLUV-48-073  | 500              | 572              | 77           | 73       | 4         | 48   | 3           | 1038         |
|   | RLUV-48-084  | 580              | 658              | 88           | 84       | 4         | 48   | 3           | 1161         |
|   | RLUV-48-096  | 675              | 752              | 100          | 96       | 4         | 48   | 3           | 1298         |
|   | RLUV-48-108  | 765              | 846              | 112          | 108      | 4         | 48   | 3           | 1433         |
|   | RLUV-48-116  | 836              | 909              | 122          | 116      | 4         | 48   | 3           | 1522         |
|   | RLUV-48-120  | 860              | 940              | 124          | 120      | 4         | 48   | 3           | 1567         |
|   | RLUV-48-141  | 1040             | 1128             | 145          | 141      | 4         | 48   | 3           | 1805         |
|   | RLUV-48-168  | 1225             | 1306             | 174          | 168      | 4         | 48   | 3           | 2186         |
|   | RLUV-54-099  | 875              | 981              | 105          | 99       | 6         | 54   | 3           | 1596         |
|   | RLUV-54-113  | 1000             | 1119             | 119          | 113      | 6         | 54   | 3           | 1827         |
|   | RLUV-54-123  | 1110             | 1219             | 129          | 123      | 6         | 54   | 3           | 1889         |
|   | RLUV-54-134  | 1200             | 1327             | 140          | 134      | 6         | 54   | 3           | 1969         |
|   | RLUV-54-147  | 1340             | 1457             | 153          | 147      | 6         | 54   | 3           | 2182         |
|   | RLUV-54-160  | 1481             | 1585             | 166          | 160      | 6         | 54   | 3           | 2402         |
|   | RLUV-54-165  | 1500             | 1635             | 171          | 165      | 6         | 54   | 3           | 2484         |
|   | RLUV-54-183  | 1690             | 1814             | 189          | 183      | 6         | 54   | 3           | 2722         |
|   | RLUV-60-093  | 1006             | 1137             | 102          | 96       | 6         | 60   | 3           | 2007         |
|   | RLUV-60-114  | 1245             | 1395             | 120          | 114      | 6         | 60   | 3           | 2376         |
|   | RLUV-60-138  | 1530             | 1689             | 144          | 138      | 6         | 60   | 3           | 2797         |
|   | RLUV-60-168  | 1820             | 1983             | 174          | 168      | 6         | 60   | 3           | 3210         |
|   | RLUV-60-177  | 2000             | 2165             | 183          | 177      | 6         | 60   | 3           | 3481         |
|   | RLUV-60-186  | 2105             | 2276             | 192          | 186      | 6         | 60   | 3           | 3639         |

See next page for more models.



# RLU HOT WATER STORAGE TANK

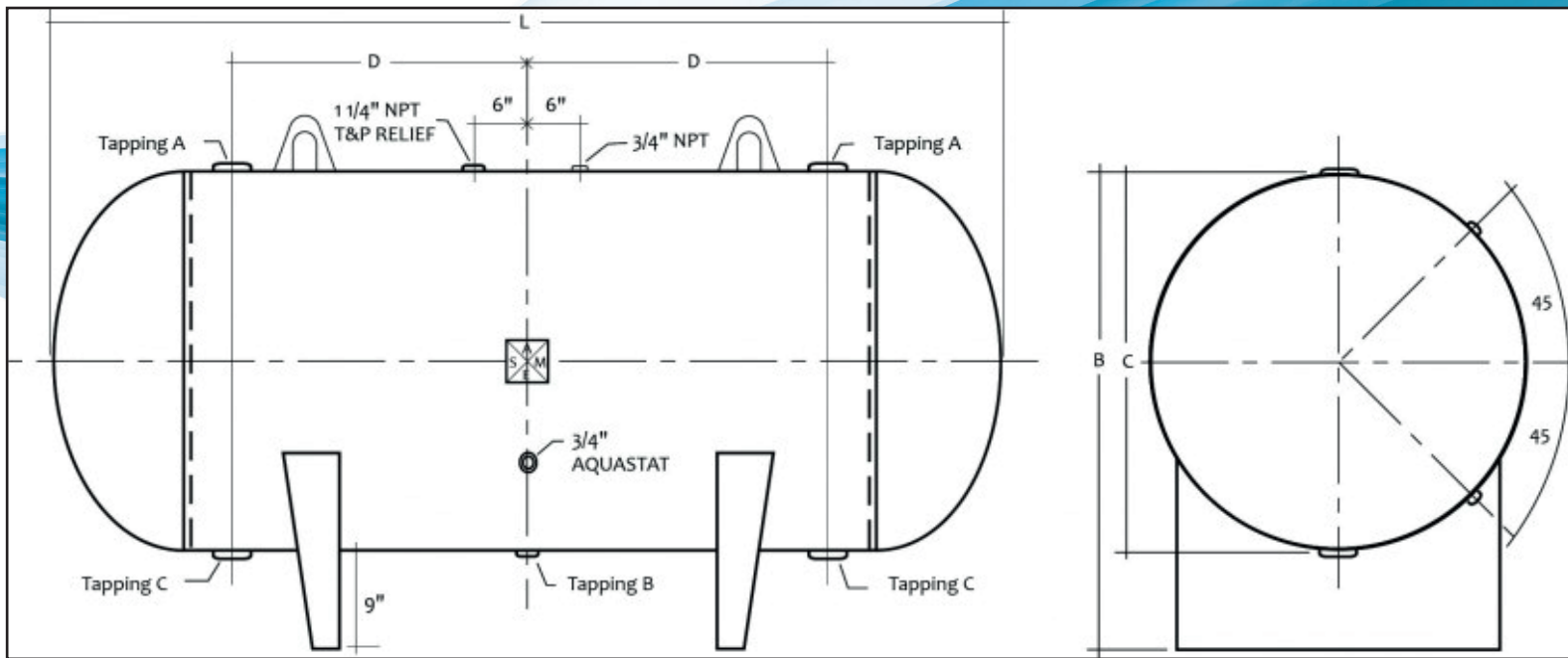
Other size available upon request.

| √ | Model Number | Actual Gal. Cap. | Nominal Gal. Cap. | Vertical HT. | Tank. HT. | Base Clr. | DIA. | Tapping "A" | Weight @125# |
|---|--------------|------------------|-------------------|--------------|-----------|-----------|------|-------------|--------------|
|   | RLUV-60-210  | 2395             | 2570              | 216          | 210       | 6         | 60   | 3           | 3922         |
|   | RLUV-72-094  | 1500             | 1655              | 100          | 94        | 6         | 72   | 3           | 2551         |
|   | RLUV-72-100  | 1538             | 1761              | 106          | 100       | 6         | 72   | 3           | 2677         |
|   | RLUV-72-117  | 1835             | 2061              | 123          | 117       | 6         | 72   | 3           | 3035         |
|   | RLUV-72-120  | 1865             | 2115              | 126          | 120       | 6         | 72   | 3           | 3099         |
|   | RLUV-72-128  | 2000             | 2256              | 134          | 128       | 6         | 72   | 3           | 3267         |
|   | RLUV-72-144  | 2285             | 2538              | 150          | 144       | 6         | 72   | 3           | 3304         |
|   | RLUV-72-157  | 2535             | 2765              | 163          | 157       | 6         | 72   | 3           | 3878         |
|   | RLUV-72-168  | 2727             | 2959              | 174          | 168       | 6         | 72   | 3           | 4110         |
|   | RLUV-72-192  | 3147             | 3382              | 198          | 192       | 6         | 72   | 3           | 4616         |
|   | RLUV-72-216  | 3567             | 3805              | 222          | 216       | 6         | 72   | 3           | 5122         |
|   | RLUV-72-250  | 4162             | 4404              | 256          | 250       | 6         | 72   | 3           | 5616         |
|   | RLUV-84-121  | 2500             | 2901              | 127          | 121       | 6         | 84   | 3           | 4265         |
|   | RLUV-84-138  | 2915             | 3310              | 144          | 138       | 6         | 84   | 3           | 4747         |
|   | RLUV-84-162  | 3480             | 3886              | 168          | 162       | 6         | 84   | 3           | 5428         |
|   | RLUV-84-186  | 4045             | 4462              | 192          | 186       | 6         | 84   | 3           | 6109         |
|   | RLUV-84-210  | 4610             | 5038              | 216          | 210       | 6         | 84   | 3           | 6789         |
|   | RLUV-84-256  | 5695             | 6141              | 262          | 256       | 6         | 84   | 3           | 8094         |



## ● Product Specifications RLUH

Flo Fab Tank maintains a large selection of standard Large volume hot water storage tanks in inventory which are available for quick ship. Inventory gallon sizes range from 210 gallon up to 1000 gallons. All tanks are vertical/horizontal, glass lined with oxide primer. Refer to our submittal pages for details on tank fitting configuration. Manways are required on all tanks OVER 36" diameter and our pricing reflects that requirement. Manways are optional on 36" diameter and below. All bare vertical tanks come standard with lifting lugs. Each tank is hydro-tested and independently inspected as ASME regulations require. Need more than what is available in our standard sizes? We can build to your specifications. Fitting changes, flanges, linings and exterior finishes, high pressures are all available but current lead times will apply. Please visit our Get A Quote page and tell us what you're looking for. When ordering or requesting a quotation, please let us know the number of fittings or nozzles, operating pressure and temperature. If needed, legs can be substituted for skirts. Please refer to our options page for information on our Powered Anode system and other items.





# RLU HOT WATER STORAGE TANK

Other size available upon request.

| ✓ | Model Number | Nominal Gal.Cap. | Actual Gal. Cap. | HEIGHT "B" | "L" | "D"  | SADDLE CLR. | DIA."C" | Tapping "A" | TAPPING "B" | TAPPING "C" | WEIGHT @125# |
|---|--------------|------------------|------------------|------------|-----|------|-------------|---------|-------------|-------------|-------------|--------------|
|   | RLUH-30-063  | 193              | 175              | 39"        | 63" | 18"  | 9"          | 30"     | 2.5"        | 1"          | 3"          | 365          |
|   | RLUH-30-075  | 229              | 210              | 39         | 75  | 24   | 9           | 30      | 2.5         | 1           | 3           | 412          |
|   | RLUH-30-085  | 260              | 240              | 39         | 85  | 29   | 9           | 30      | 2.5         | 1           | 3           | 545          |
|   | RLUH-30-099  | 303              | 280              | 39         | 99  | 36   | 9           | 30      | 2.5         | 1           | 3           | 508          |
|   | RLUH-30-111  | 340              | 320              | 39         | 111 | 42   | 9           | 30      | 2.5         | 1           | 3           | 555          |
|   | RLUH-36-072  | 318              | 285              | 45         | 72  | 21   | 9           | 36      | 2.5         | 1           | 3           | 576          |
|   | RLUH-36-078  | 344              | 310              | 45         | 78  | 24   | 9           | 36      | 2.5         | 1           | 3           | 614          |
|   | RLUH-36-085  | 375              | 340              | 45         | 85  | 27.5 | 9           | 36      | 2.5         | 1           | 3           | 659          |
|   | RLUH-36-090  | 397              | 360              | 45         | 90  | 30   | 9           | 36      | 2.5         | 1           | 3           | 690          |
|   | RLUH-36-102  | 449              | 415              | 45         | 102 | 36   | 9           | 36      | 2.5         | 1           | 3           | 768          |
|   | RLUH-36-114  | 502              | 465              | 45         | 114 | 42   | 9           | 36      | 2.5         | 1           | 3           | 844          |
|   | RLUH-36-126  | 555              | 515              | 45         | 126 | 48   | 9           | 36      | 2.5         | 1           | 3           | 920          |
|   | RLUH-42-081  | 486              | 435              | 51         | 81  | 24   | 9           | 42      | 3           | 1           | 3           | 810          |
|   | RLUH-42-084  | 504              | 453              | 51         | 84  | 25.5 | 9           | 42      | 3           | 1           | 3           | 832          |
|   | RLUH-42-093  | 558              | 505              | 51         | 93  | 30   | 9           | 42      | 3           | 1           | 3           | 874          |
|   | RLUH-42-105  | 630              | 575              | 51         | 105 | 36   | 9           | 42      | 3           | 1           | 3           | 963          |
|   | RLUH-42-117  | 702              | 645              | 51         | 117 | 42   | 9           | 42      | 3           | 1           | 3           | 900          |
|   | RLUH-42-129  | 774              | 720              | 51         | 129 | 48   | 9           | 42      | 3           | 1           | 3           | 1068         |
|   | RLUH-42-139  | 846              | 790              | 51         | 139 | 53   | 9           | 42      | 3           | 1           | 3           | 1138         |
|   | RLUH-48-073  | 572              | 500              | 57         | 73  | 18.5 | 9           | 48      | 3           | 1           | 3           | 1090         |
|   | RLUH-48-084  | 658              | 580              | 57         | 84  | 24   | 9           | 48      | 3           | 1           | 3           | 1213         |
|   | RLUH-48-096  | 752              | 675              | 57         | 96  | 30   | 9           | 48      | 3           | 1           | 3           | 1350         |
|   | RLUH-48-108  | 846              | 765              | 57         | 108 | 36   | 9           | 48      | 3           | 1           | 3           | 1485         |
|   | RLUH-48-120  | 940              | 840              | 57         | 120 | 42   | 9           | 48      | 3           | 1           | 3           | 1619         |
|   | RLUH-48-141  | 1128             | 1040             | 57         | 141 | 52.5 | 9           | 48      | 3           | 1           | 3           | 1857         |
|   | RLUH-48-168  | 1316             | 1225             | 57         | 168 | 52.5 | 9           | 48      | 3           | 1           | 3           | 2160         |
|   | RLUH-54-099  | 981              | 875              | 63         | 99  | 37.5 | 9           | 54      | 3           | 1.5         | 3           | 1596         |
|   | RLUH-54-123  | 1219             | 1110             | 63         | 123 | 49.5 | 9           | 54      | 3           | 1.5         | 3           | 2124         |
|   | RLUH-54-134  | 1327             | 1217             | 63         | 134 | 61.5 | 9           | 54      | 3           | 1.5         | 3           | 2252         |
|   | RLUH-54-147  | 1457             | 1340             | 63         | 147 | 61.5 | 9           | 54      | 3           | 1.5         | 3           | 2256         |
|   | RLUH-54-156  | 1545             | 1410             | 63         | 156 | 61.5 | 9           | 54      | 3           | 1.5         | 3           | 2364         |
|   | RLUH-54-165  | 1635             | 1500             | 63         | 165 | 61.5 | 9           | 54      | 3           | 1.5         | 3           | 2364         |
|   | RLUH-54-183  | 1814             | 1690             | 63         | 183 | 79.5 | 9           | 54      | 3           | 1.5         | 3           | 2696         |
|   | RLUH-60-093  | 1137             | 1006             | 69         | 93  | 28.5 | 9           | 60      | 3           | 1.5         | 3           | 2548         |
|   | RLUH-60-114  | 1395             | 1245             | 69         | 114 | 24   | 9           | 60      | 3           | 1.5         | 3           | 2648         |
|   | RLUH-60-138  | 1689             | 1530             | 69         | 138 | 48   | 9           | 60      | 3           | 1.5         | 3           | 2829         |
|   | RLUH-60-168  | 1983             | 1820             | 69         | 168 | 60   | 9           | 60      | 3           | 1.5         | 3           | 3560         |
|   | RLUH-60-177  | 2165             | 2000             | 69         | 177 | 67.5 | 9           | 60      | 3           | 1.5         | 3           | 3491         |
|   | RLUH-60-192  | 2276             | 2105             | 69         | 192 | 75   | 9           | 60      | 3           | 1.5         | 3           | 3766         |

See next page for more models.



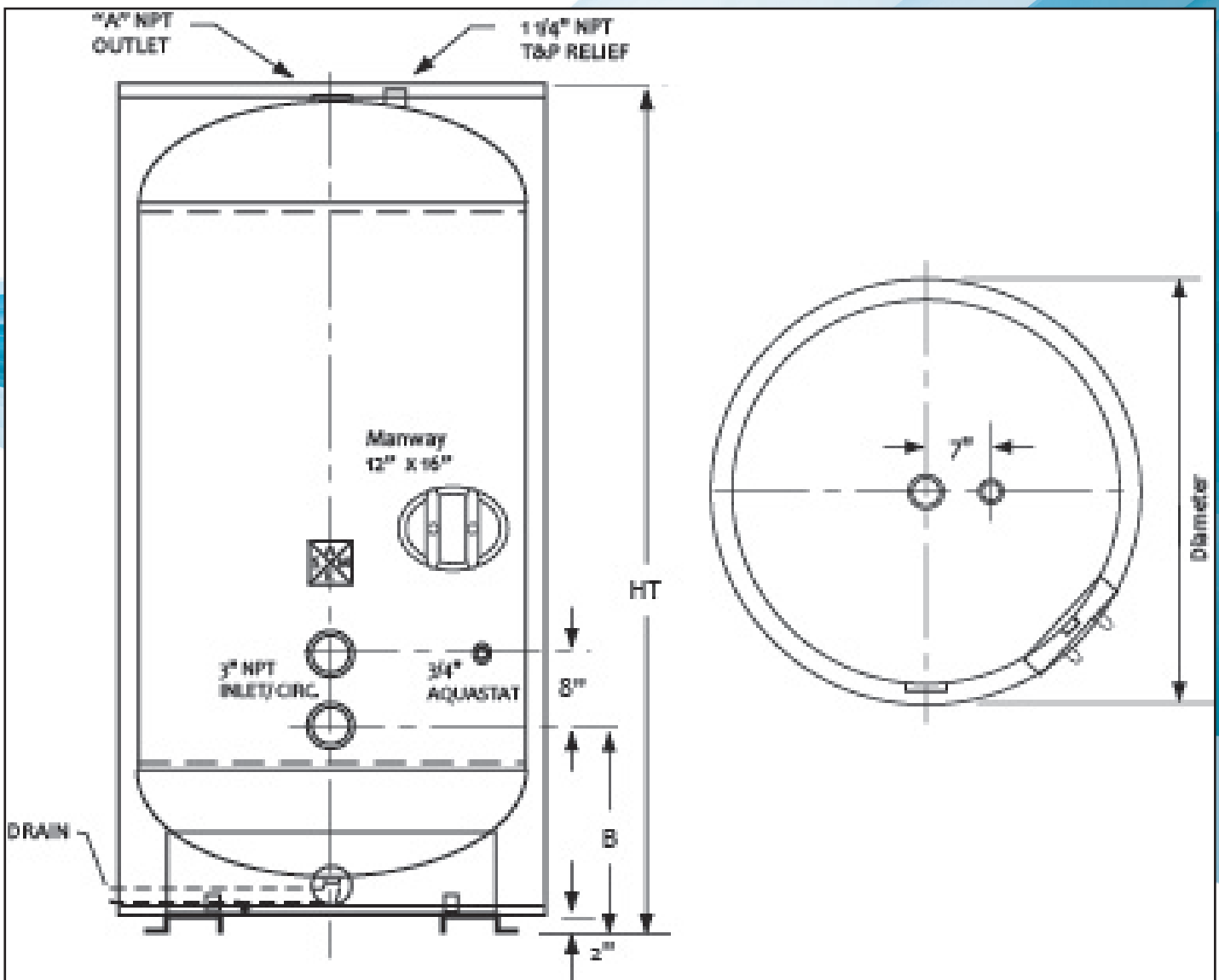
# RLU HOT WATER STORAGE TANK

Other size available upon request.

| ✓ | Model Number | Nominal Gal.Cap. | Actual Gal. Cap. | HEIGHT "B" | "L" | "D"  | SADDLE CLR. | DIA. "C" | Tapping "A" | TAPPING "B" | TAPPING "C" | WEIGHT @125# |
|---|--------------|------------------|------------------|------------|-----|------|-------------|----------|-------------|-------------|-------------|--------------|
|   | RLUH-72-117  | 2061             | 1800             | 81         | 117 | 34.5 | 9           | 72       | 3           | 1.5         | 3           | 3305         |
|   | RLUH-72-120  | 2113             | 1865             | 81         | 120 | 36   | 9           | 72       | 3           | 1.5         | 3           | 3369         |
|   | RLUH-72-128  | 2254             | 2000             | 81         | 128 | 40   | 9           | 72       | 3           | 1.5         | 3           | 3540         |
|   | RLUH-72-144  | 2536             | 2285             | 81         | 144 | 48   | 9           | 72       | 3           | 1.5         | 3           | 3881         |
|   | RLUH-72-157  | 2765             | 2500             | 81         | 157 | 54.5 | 9           | 72       | 3           | 1.5         | 3           | 4105         |
|   | RLUH-72-168  | 2959             | 2700             | 81         | 168 | 60   | 9           | 72       | 3           | 1.5         | 3           | 4394         |
|   | RLUH-72-192  | 3382             | 3115             | 81         | 192 | 72   | 9           | 72       | 3           | 1.5         | 3           | 4852         |
|   | RLUH-72-216  | 3805             | 3530             | 81         | 216 | 84   | 9           | 72       | 3           | 1.5         | 3           | 5418         |
|   | RLUH-72-250  | 4404             | 4120             | 81         | 250 | 101  | 9           | 72       | 3           | 1.5         | 3           | 6144         |
|   | RLUH-84-121  | 2901             | 2500             | 93         | 121 | 32.5 | 9           | 84       | 3           | 1.5         | 3           | 4684         |
|   | RLUH-84-138  | 3308             | 2915             | 93         | 138 | 41   | 9           | 84       | 3           | 1.5         | 3           | 5196         |
|   | RLUH-84-162  | 3884             | 3480             | 93         | 162 | 53   | 9           | 84       | 3           | 1.5         | 3           | 5902         |
|   | RLUH-84-186  | 4459             | 4045             | 93         | 186 | 65   | 9           | 84       | 3           | 1.5         | 3           | 6614         |
|   | RLUH-84-210  | 5035             | 4610             | 93         | 210 | 77   | 9           | 84       | 3           | 1.5         | 3           | 7327         |
|   | RLUH-84-256  | 6138             | 5695             | 93         | 256 | 100  | 9           | 84       | 3           | 1.5         | 3           | 8693         |

## ● Product Specifications RWUV

Jacketed and insulated tanks are available from our quick ship inventory, however, we need about 3 to 4 days to do the jacketing and insulating. When ordering, please check our current inventory, if the size is available, we'll do our best to get the completed vessel to your door. Alterations of any stock tank is not possible. If you need additional fittings, or changes to our standard fitting design, double glass lining, or other changes or modifications, we would need to build the tank from scratch and standard lead times will apply. - Our jacketed and insulated tanks come standard with 2" of spray foam insulation which meets ASHREA 90.1b (2010 version) requirements. Manways are standard on all tanks over 36" diameter and are optional on 36" diameter and below. Extended lifting lugs can be added to the tank and will protrude out of the top pan and, every tank is mounted on 2" fork-lift rails for easy lifting. All tanks are hydro test and independently inspected prior to jacketing as required by ASME regulations.





# RWU HOT WATER STORAGE TANK

Other size available upon request.

| ✓ | Model Number | Nominal Gal.Cap. | Actual Gal.Cap. | HT  | BASE CLEARANCE | "B"   | DIAMETER | "A" Hot Out | WEIGHT @125# |
|---|--------------|------------------|-----------------|-----|----------------|-------|----------|-------------|--------------|
|   | RWUV-20-040  |                  | 40              | 47" | Sits on base   |       | 20"      | 3/4"        | 548          |
|   | RWUV-20-050  |                  | 50              | 47  | Sits on base   |       | 22       | 3/4         | 130          |
|   | RWUV-24-080  |                  | 80              | 59  | Sits on base   | 9.25" | 24       | 2           | 192          |
|   | RWUV-24-080A |                  | 80              | 59  | Sits on base   | 9.25  | 24       | 2           | 192          |
|   | RWUV-28-120  |                  | 120             | 63  | Sits on base   | 9.25  | 28       | 2           | 225          |
|   | RWUV-28-120A |                  | 120             | 63  | Sits on base   | 9.25  | 28       | 2.5         | 225          |
|   | RWUV-32-200  |                  | 200             | 78  | Sits on base   | 16.25 | 32       | 2.5         | 541          |
|   | RWUV-30-063  | 193              | 175             | 71  | 2"             | 19.5  | 34       | 2.5         | 548          |
|   | RWUV-30-075  | 229              | 210             | 83  | 2              | 19.5  | 34       | 2.5         | 613          |
|   | RWUV-30-085  | 260              | 240             | 93  | 2              | 19.5  | 34       | 2.5         | 700          |
|   | RWUV-30-099  | 303              | 280             | 107 | 2              | 19.5  | 34       | 2.5         | 673          |
|   | RWUV-30-111  | 340              | 320             | 119 | 2              | 19.5  | 34       | 2.5         | 730          |
|   | RWUV-36-072  | 318              | 285             | 80  | 2              | 21    | 40       | 2.5         | 714          |
|   | RWUV-36-078  | 344              | 310             | 86  | 2              | 21    | 40       | 2.5         | 782          |
|   | RWUV-36-085  | 375              | 340             | 93  | 2              | 21    | 40       | 2.5         | 845          |
|   | RWUV-36-090  | 397              | 360             | 98  | 2              | 21    | 40       | 2.5         | 894          |
|   | RWUV-36-102  | 449              | 415             | 110 | 2              | 21    | 40       | 2.5         | 982          |
|   | RWUV-36-114  | 502              | 465             | 122 | 2              | 21    | 40       | 2.5         | 1106         |
|   | RWUV-36-126  | 555              | 515             | 134 | 2              | 21    | 40       | 2.5         | 1194         |
|   | RWUV-42-081  | 486              | 435             | 89  | 2              | 22.5  | 46       | 3           | 1024         |
|   | RWUV-42-084  | 504              | 453             | 92  | 2              | 22.5  | 46       | 3           | 1074         |
|   | RWUV-42-093  | 558              | 505             | 101 | 2              | 22.5  | 46       | 3           | 1168         |
|   | RWUV-42-105  | 630              | 575             | 113 | 2              | 22.5  | 46       | 3           | 1292         |
|   | RWUV-42-117  | 702              | 645             | 125 | 2              | 22.5  | 46       | 3           | 1392         |
|   | RWUV-42-129  | 774              | 720             | 137 | 2              | 22.5  | 46       | 3           | 1498         |
|   | RWUV-42-139  | 846              | 790             | 147 | 2              | 22.5  | 46       | 3           | 1587         |
|   | RWUV-48-073  | 572              | 500             | 81  | 2              | 24    | 52       | 3           | 1381         |
|   | RWUV-48-084  | 658              | 580             | 92  | 2              | 24    | 52       | 3           | 1539         |
|   | RWUV-48-096  | 752              | 675             | 104 | 2              | 24    | 52       | 3           | 1653         |
|   | RWUV-48-108  | 846              | 765             | 116 | 2              | 24    | 52       | 3           | 1803         |
|   | RWUV-48-120  | 940              | 840             | 128 | 2              | 24    | 52       | 3           | 1947         |
|   | RWUV-48-141  | 1128             | 1040            | 149 | 2              | 24    | 52       | 3           | 2216         |
|   | RWUV-54-099  | 981              | 875             | 107 | 2              | 27.5  | 58       | 3           | 1776         |
|   | RWUV-54-113  | 1119             | 1000            | 121 | 2              | 27.5  | 58       | 3           | 2900         |
|   | RWUV-60-096  | 1174             | 1000            | 104 | 2              | 29    | 64       | 3           | 3325         |
|   | RWUV-60-114  | 1395             | 1245            | 122 | 2              | 29    | 64       | 3           | 3326         |
|   | RWUV-60-128  | 1430             | 1565            | 136 | 2              | 29    | 64       | 3           | 3501         |







# RWU HOT WATER STORAGE TANK

Other size available upon request.

| ✓ | Model Number | Nominal Gal.Cap. | Actual Gal. Cap. | HEIGHT "B" | "L" | "D"  | SADDLE CLR. | DIAMETER "C" | TAPPING "A" | TAPPING "B" | TAPPING "C" | WEIGHT @125# |
|---|--------------|------------------|------------------|------------|-----|------|-------------|--------------|-------------|-------------|-------------|--------------|
|   | RWUH-30-063  | 193              | 175              | 41"        | 67" | 18"  | 7"          | 34"          | 2.5"        | 1"          | 3"          | 548          |
|   | RWUH-30-075  | 229              | 210              | 41         | 79  | 24   | 7           | 34           | 2.5         | 1           | 3           | 613          |
|   | RWUH-30-085  | 260              | 240              | 41         | 89  | 29   | 7           | 34           | 2.5         | 1           | 3           | 700          |
|   | RWUH-30-099  | 303              | 280              | 41         | 103 | 36   | 7           | 34           | 2.5         | 1           | 3           | 673          |
|   | RWUH-30-111  | 340              | 320              | 41         | 115 | 42   | 7           | 34           | 2.5         | 1           | 3           | 730          |
|   | RWUH-36-072  | 318              | 285              | 47         | 76" | 21   | 7           | 40           | 2.5"        | 1           | 3           | 714          |
|   | RWUH-36-078  | 344              | 310              | 47         | 82  | 24   | 7           | 40           | 2.5         | 1           | 3           | 782          |
|   | RWUH-36-085  | 375              | 340              | 47         | 89  | 27.5 | 7           | 40           | 2.5         | 1           | 3           | 845          |
|   | RWUH-36-090  | 397              | 360              | 47         | 94  | 30   | 7           | 40           | 2.5         | 1           | 3           | 894          |
|   | RWUH-36-102  | 449              | 415              | 47         | 106 | 36   | 7           | 40           | 2.5         | 1           | 3           | 982          |
|   | RWUH-36-114  | 502              | 465              | 47         | 118 | 42   | 7           | 40           | 2.5         | 1           | 3           | 1106         |
|   | RWUH-36-126  | 555              | 515              | 47         | 130 | 48   | 7           | 40           | 2.5         | 1           | 3           | 1194         |
|   | RWUH-42-081  | 486              | 435              | 53         | 85  | 24   | 7           | 46           | 3           | 1           | 3           | 1024         |
|   | RWUH-42-084  | 504              | 453              | 53         | 88  | 25.5 | 7           | 46           | 3           | 1           | 3           | 1074         |
|   | RWUH-42-093  | 558              | 505              | 53         | 97  | 30   | 7           | 46           | 3           | 1           | 3           | 1168         |
|   | RWUH-42-105  | 630              | 575              | 53         | 109 | 36   | 7           | 46           | 3           | 1           | 3           | 1292         |
|   | RWUH-42-117  | 702              | 645              | 53         | 121 | 42   | 7           | 46           | 3           | 1           | 3           | 1392         |
|   | RWUH-42-129  | 774              | 720              | 53         | 133 | 48   | 7           | 46           | 3           | 1           | 3           | 1498         |
|   | RWUH-42-139  | 846              | 790              | 53         | 143 | 53   | 7           | 46           | 3           | 1           | 3           | 1587         |
|   | RWUH-48-073  | 572              | 500              | 59         | 77  | 18.5 | 7           | 52           | 3           | 1           | 3           | 1381         |
|   | RWUH-48-084  | 658              | 580              | 59         | 88  | 24   | 7           | 52           | 3           | 1           | 3           | 1539         |
|   | RWUH-48-096  | 752              | 675              | 59         | 100 | 30   | 7           | 52           | 3           | 1           | 3           | 1653         |
|   | RWUH-48-108  | 846              | 765              | 59         | 112 | 36   | 7           | 52           | 3           | 1           | 3           | 1803         |
|   | RWUH-48-120  | 940              | 840              | 59         | 124 | 42   | 7           | 52           | 3           | 1           | 3           | 1947         |
|   | RWUH-48-141  | 1128             | 1040             | 59         | 145 | 52.5 | 7           | 52           | 3           | 1           | 3           | 2216         |



## ● Product Specifications **CBT**

Flo Fab's Buffer Tanks are designed for use with Commercial chiller water systems and hydro-  
nic heating systems which may have insufficient water volume to maintain optimum operating  
temperature control. Flo Fab offers gallon capacities in 130 gal, 210 gal, 300 gal, 400 gal, 528  
gal, and 1040 gal. Additional sizes are also available. Buffer tanks are constructed under the  
A.S.M.E., Section VIII., Division I code as such are not required to be equipped with a manway.  
Vertical tank designs are available with a center baffle plate with inlet and outlet on upper shell.  
The top of the tank has an FNPT port for the air vent; the bottom of the tank has an FNPT drain  
port. Closed loop systems do not require a manway, but they are available as an option, if  
desired. Standard product design offering as well as custom configurations with alternate sys-  
tem connections are available. Available connections are Female National Pipe Threads, ANSI  
Flanges, and Grooved Pipe End connections. R-16 closed cell spray foam insulation is also avail-  
able. Linings include, Ultonium or Flo Fab Defender Epoxy, if needed. Ultonium lined tanks do  
not have internal baffles.

Furnish and install as shown on plan, a Flo Fab Steel Tank A.S.M.E. Buffer tank of \_\_\_\_\_gallons,  
\_\_\_\_\_ diameter with an overall height of \_\_\_\_\_. The tank must be designed, constructed and  
stamped 125 psi @ -20F to 450F in accordance with section VIII, Division I of the A.S.M.E. Boi-  
ler and Pressure Vessel code and registered with the National Board of boiler and pressure ves-  
sel inspections. The buffer tank shall be painted with 1) coat of red oxide shop primer paint. A  
manufacturers data report for pressure vessels, Form U-1A as required by the provisions of the  
A.S.M.E. Boiler and Pressure Vessel code shall be furnished for each buffer tank upon request.  
To properly size the buffer tank, calculate the systems total capacity including all piping and ter-  
minal equipment. Subtract that number from the chiller manufacturers recommended system  
capacity. If a 100 ton chiller requires 1000 gallons of system capacity for high accuracy control  
and the total piping system totals only 600 gallons, a 400 gallon buffer tank would be required.  
(As an example) R-16 closed cell spray foam insulation is also available. Linings include, Ulto-  
nium or Flo Fab Defender Epoxy, if needed. Ultonium lined tanks do not have internal baffles.

### **SIZING & SELECTION FOR FLO FAB STEEL TANK CBT BUFFER TANKS:**

1. Required Chiller Volume: \_\_\_\_\_ Gallons  
Manufacturer of chiller unit's recommended 'gallons per ton' of cooling. Typical 3 - 6  
gallons per ton. Critical accuracy: 6 - 10 gallons per ton.
  2. Actual Gallon Volume in the entire chiller system: \_\_\_\_\_ Gallons (including piping)
- (1) Chiller requirements gallons: \_\_\_\_\_ (-) minus (2) Actual gallons in  
system = \_\_\_\_\_ gallon size of buffer tank.

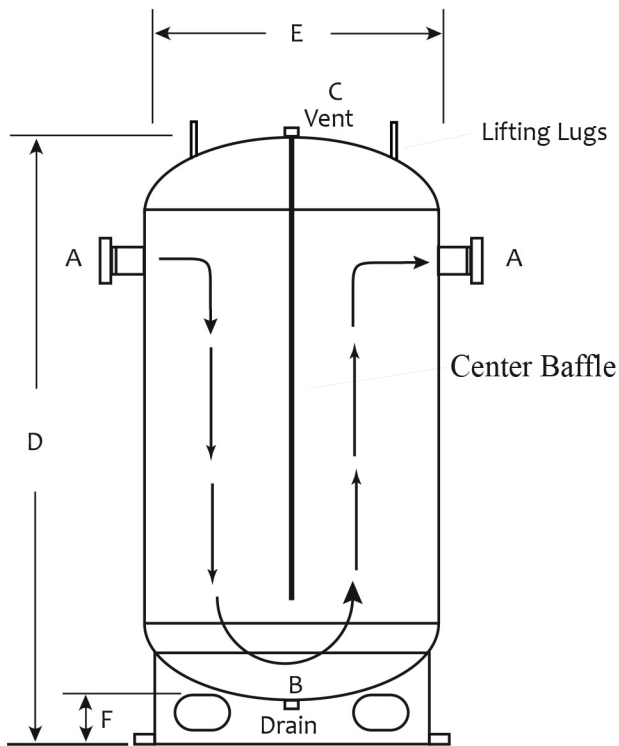
Flo Fab Steel Tank manufactures a standard line of vertical and horizontal buffer tanks. Vertical  
tanks are equipped with an internal baffle and standard flanged connections on 210 gallon and  
above. Horizontal tanks typically do not have internal baffles, but can be added. Since Flo Fab  
Steel Tank is a custom tank fabricator, we would be happy to add or change our current design  
to suit your specific requirements. Grooved pipe end fitting are available in place of flanged  
connections. Our 2-part, closed cell foam spray on insulation can be added to any size tank and  
is durable enough for outdoor applications.



# Product Specifications

## CBT

Buffer tanks are essential components in modern day chiller and heating systems. CBT buffer tanks are designed to increase the systems capacity so water temperatures stabilize within the manufacturers recommendations. When the cooling system piping capacity is under sized, compressors will short cycle and temperature control is harder to maintain within the building. Chiller manufacturers recommend between 3 and 10 gallons per ton of nominal cooling capacity in the piping system, Depending on the level of accuracy of temperature control, higher volumes may be required.



Manways are optional on all closed loop systems

Inlets and outlets can be re-positioned in the shell of the tank if required

All tanks are constructed and certified in accordance with the ASME section VIII, Div. I code

Topcoat Spray foam insulation is available, R-16 value

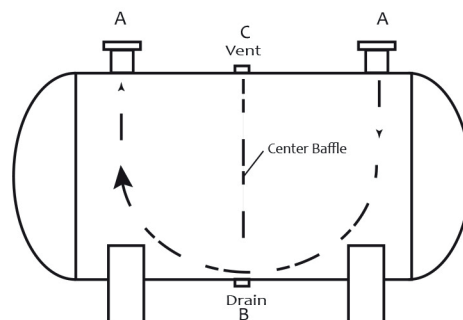
Red Oxide shop primer on bare tanks

Custom sizes are available

Grooved, Flanged and NPT connections available

Interior linings are available

304 and 316L Stainless Steel is available



Horizontal buffer tanks are built to order. Consult factory for sizes, dimensions and specifications.

|                          | Model      | Gal. | A      | B  | C  | D    | E   | F  | Weight |
|--------------------------|------------|------|--------|----|----|------|-----|----|--------|
| <input type="checkbox"/> | CBT-24-072 | 130  | 2" NPT | 1" | 1" | 76"  | 24" | 4" | 375    |
| <input type="checkbox"/> | CBT-30-075 | 210  | 3" Flg | 1" | 1" | 79"  | 30" | 4" | 425    |
| <input type="checkbox"/> | CBT-36-072 | 300  | 4" Flg | 1" | 1" | 76"  | 36" | 4" | 633    |
| <input type="checkbox"/> | CBT-36-094 | 400  | 4" Flg | 1" | 1" | 98"  | 36" | 4" | 715    |
| <input type="checkbox"/> | CBT-42-084 | 460  | 4" Flg | 1" | 1" | 88"  | 42" | 4" | 1250   |
| <input type="checkbox"/> | CBT-48-077 | 528  | 6" Flg | 1" | 1" | 81"  | 48" | 4" | 1150   |
| <input type="checkbox"/> | CBT-48-090 | 600  | 6" Flg | 1" | 1" | 94"  | 48" | 4" | 1765   |
| <input type="checkbox"/> | CBT-48-099 | 700  | 6" Flg | 1" | 1" | 103" | 48" | 4" | 1885   |
| <input type="checkbox"/> | CBT-48-141 | 1000 | 6" Flg | 1" | 1" | 145" | 48" | 4" | 1957   |
| <input type="checkbox"/> | CBT-54-096 | 850  | 6" Flg | 1" | 1" | 102" | 54" | 6" | 1630   |
| <input type="checkbox"/> | CBT-60-096 | 1040 | 8" Flg | 1" | 1" | 102" | 60" | 6" | 2280   |

We are proud supplier for the following completed and on going projects :



**Las Positas College**  
3000 Campus Hill Dr,  
Livermore, CA, USA  
94551



**The West Mall**  
25 The West Mall,  
Toronto, ON  
M9C 1B8



**Baliscus**  
1075 Grand Héron Boul.,  
Saint-Jérôme, QC, CA  
J5L 1G2



**Montréal – P.E.T  
International Airport,**  
975 boul. Roméo-Vachon  
Dorval, Quebec, H4Y 1H1

## Sales and Service:

Quebec, Canada  
Tel. : (450) 621-2995  
Fax : (450) 621-4995

Lake Worth  
Florida, USA  
33467-5749

Toronto, Canada  
Tel. : +1 (647) 544-2995

[www.flofab.com](http://www.flofab.com)

SERVICE 24/7 : [parts@flofab.com](mailto:parts@flofab.com)

