



# MODEL # RWUV-54-099

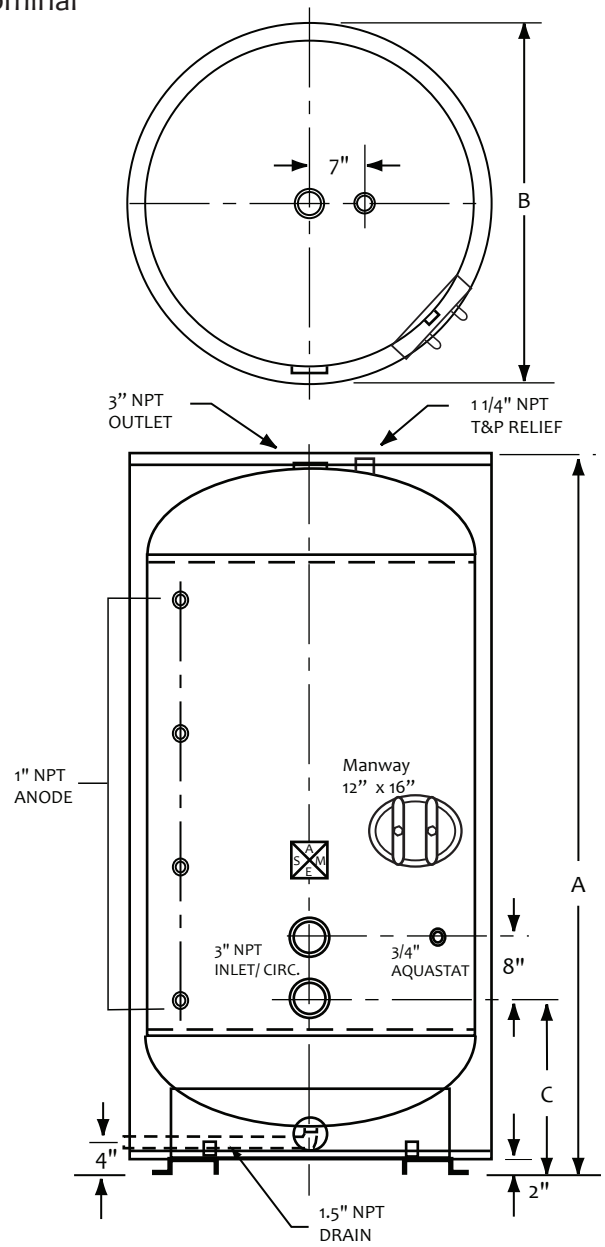
## Design Notes

Code..... ASME Sec IV HLW  
 Design Pressure..... 125 psi  
 Test Pressure..... 125 psi  
 Interior..... Glass Lining  
 Exterior..... Baked Enamel Steel Jacket  
 Insulation..... 2" R-12.5 Open Cell Foam  
 Supports..... 2" Rails  
 Capacity..... 875 Gal./ 981 nominal  
 Weight..... 1776 Lbs.

## Material Specifications

Heads..... Carbon Steel  
 Shell..... Carbon Steel  
 Couplings..... Carbon Steel  
 Flanges..... N/A  
 Pipe..... N/A  
 Manway..... Carbon Steel  
 Jacket..... 24 Gauge Steel

Mark	Dimension	Remark
A	107"	Overall height
B	58"	Diameter
C	27.5"	Circulation



NOTES	
PROJECT	
CUSTOMER	
SCALE	Not to Scale
DATE	
CUSTOMER P.O. #	
DRAWING Rev NO.	