

SERIES 500

CIRCULATING PUMP



Datasheet

Features
Performance Curves

Up to
43 ft.

Head

Up to
**234
US GPM**

Flow

145 PSI

Max.
Pressure

220°F

Max.
Temperature

FEATURES

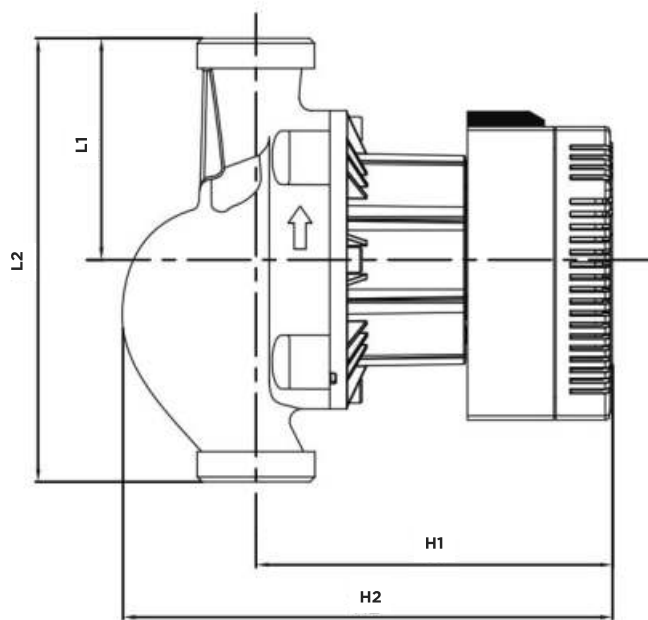
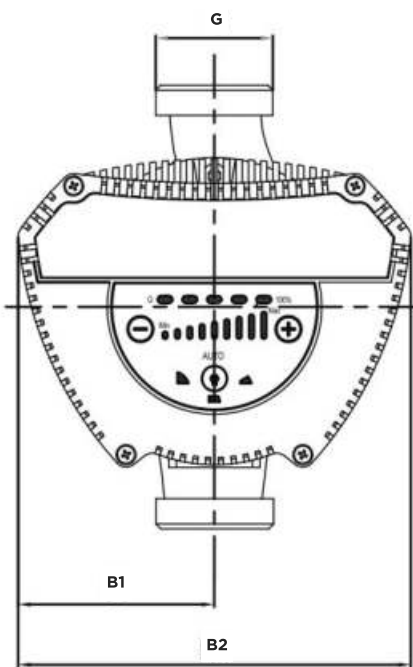
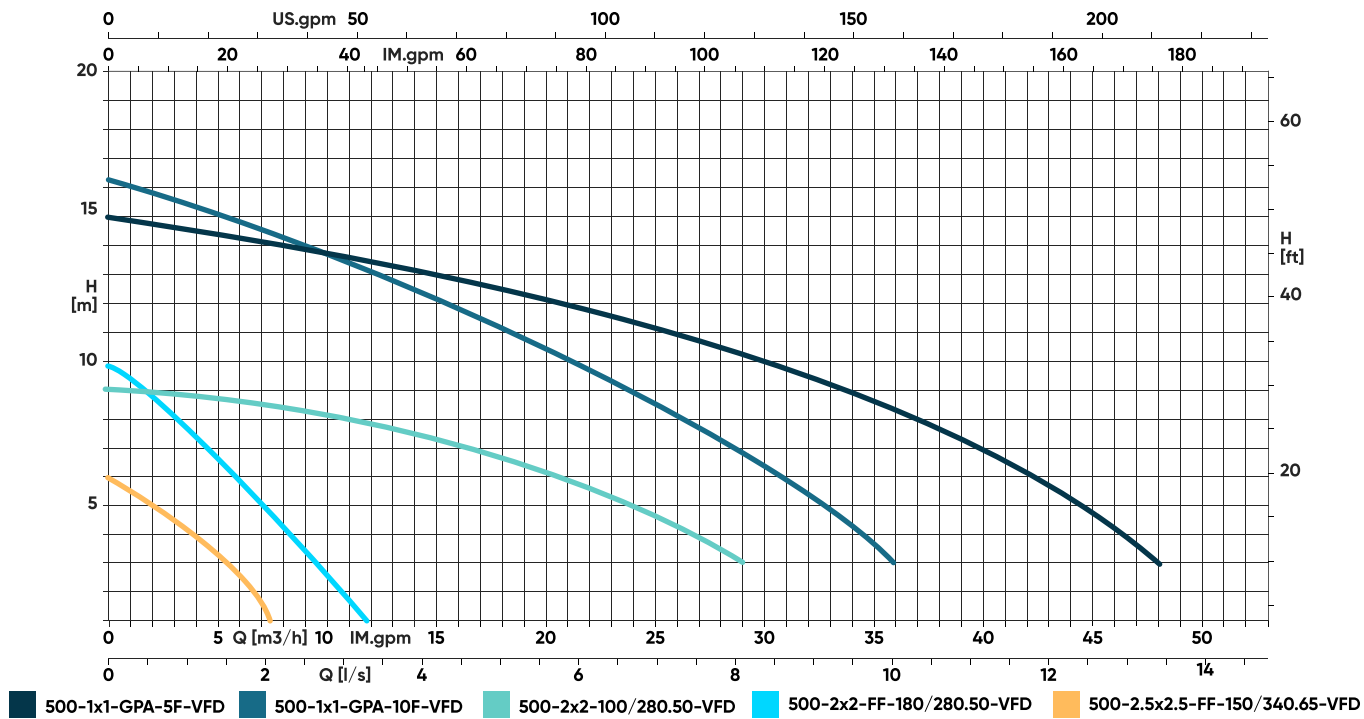
Enbloc circulator composed of cast iron hydraulic section and wet rotor synchronous motor. Motor casing in aluminum. Scroll type pump body featuring high hydraulic efficiency thanks to highly precise design and smooth internal surfaces. Flanged suction and discharge ports equipped with threaded fittings for pressure and temperature readings. The single version is supplied as standard with insulating covers to avoid heat loss and/or the formation of condensate on the pump body. Insulation of the twin version is to be provided by the installer. Use special caution to avoid obstructing the condensate drainage labyrinths in order to avoid impairing operation. Impeller in technopolymer, motor shaft in hardened stainless steel held in ceramic bearings lubricated by the pumping medium. Rotor protective jacket in stainless steel. Ceramic thrust ring, ethylene propylene seals and stator jacket in carbon fiber composite. Permanent magnet synchronous motor. The twin version features an automatic swing check valve incorporated in the discharge port to avoid water recirculating through the unit when it is not running; moreover, a blank f lange is supplied as standard to allow either of the two motors to be removed for servicing. Standard execution of the pump body is PN 16. Both the DN 80 and the DN 100 PN 16 (8 holes) versions can be supplied on request

APPLICATIONS

FLO FAB electronic circulators can be used in heating, ventilation and air conditioning systems for residential and commercial buildings including:

- Large residential buildings
- Condominiums and apartment blocks
- Homes
- Clinics and Hospitals
- Schools
- Office buildings
- Real Estate Assets

Performance Curves ○ Comparison between various pumps



MODEL	DIMENSIONS (IN/MM)						
	L1	L2	B1	B2	H1	H2	G
500-1X1-GPA-10F-VFD	3" 90 mm	7" 180 mm	3" 80 mm	6" 160 mm	6" 144 mm	8" 199 mm	1 1/2"