

SERIES 500

WET ROTOR SMART PUMP



GEM

GEM serial are intelligent efficiency circulation pumps equipped with permanent magnet motor and intelligent pressure control system. It adopts canned structure, the motor stator is completely canned, the rotating parts are immersed in the conveying liquid, the liquid plays the role of cooling the motor and lubricating the bearings. The product has features such as no leakage, super quiet, energy saving, high efficiency, etc.

GEB

GEB25/32 shielded pump, used in single pipe system, double pipe system, cooling/heating water circulation system, etc, with PWM control optional, with the advantages of high comfort, low noise, low energy consumption.

Datasheet

Features

Performance Curves

Up to
59 ft.

Head

Up to
**299
US GPM**

Flow

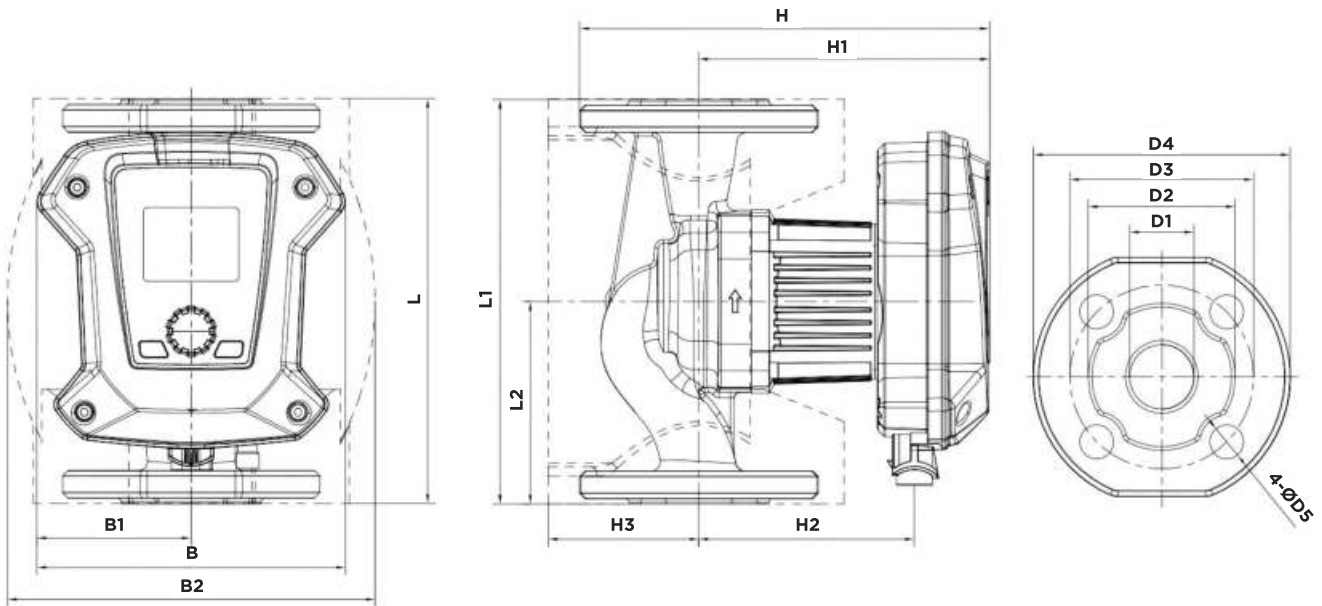
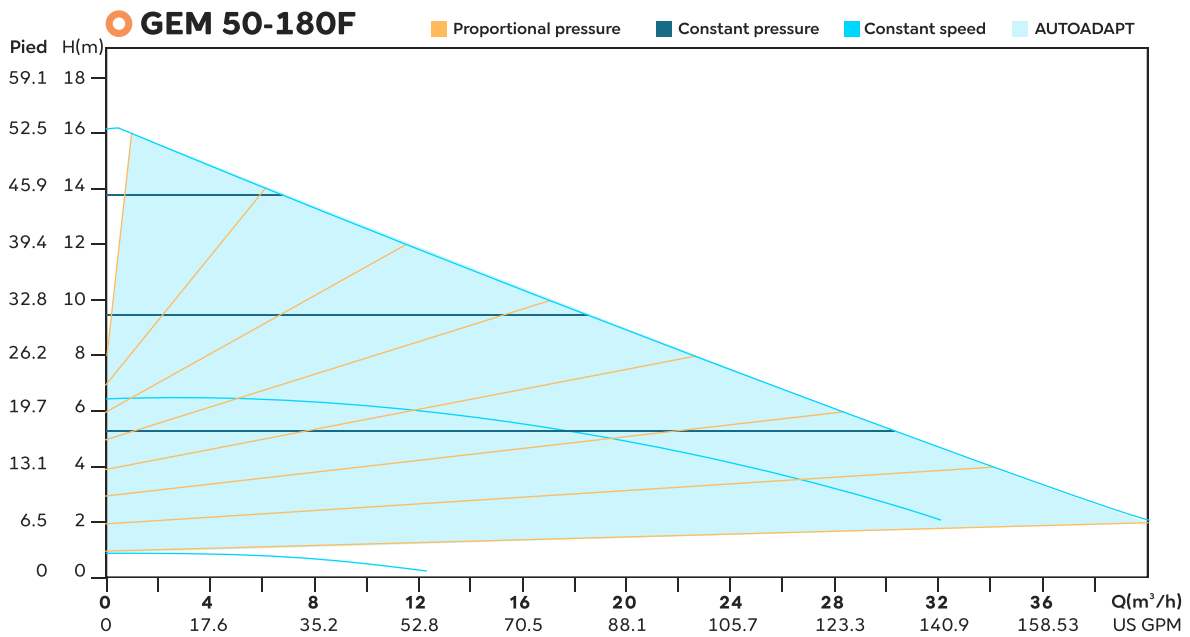
145 PSI

Max.
Pressure

230°F

Max.
Temperature

Performance Curves



MODEL	DIMENSIONS (IN/MM)														
	L	L1	L2	B	B1	B2	H	H1	H2	H3	D1	D2	D3	D4	D5
GEM40-120F 250 (N)	11.06 281	9.84 250	4.92 125	8.90 226	4.45 113	8.35 212	15.04 382	12.28 312	9.53 242	3.11 79	1.57 40	3.31 84	3.94 100	5.91 150	0.16-0.55 4-φ14
GEM40-180F 250 (N)	11.06 281	9.84 250	4.92 125	8.90 226	4.45 113	8.35 212	15.04 382	12.28 312	9.53 242	3.11 79	1.57 40	3.31 84	3.94 100	5.91 150	0.16-0.55 4-φ14
GEM50-120F 280 (N)	11.65 296	11.02 280	5.51 140	8.90 226	4.45 113	9.76 248	15.32 389	12.28 312	9.53 242	3.66 93	1.97 50	4.02 102	4.33 110	6.46 164	0.16-0.55 4-φ14
GEM50-180F 280 (N)	11.65 296	11.02 280	5.51 140	8.90 226	4.45 113	9.76 248	15.32 389	12.28 312	9.53 242	3.66 93	1.97 50	4.02 102	4.33 110	6.46 164	0.16-0.55 4-φ14
GEM65-80F 340 (N)	12.83 326	13.39 340	6.69 170	8.90 226	4.45 113	10.47 266	15.71 399	12.60 320	9.84 250	3.54 90	6.56 65	4.69 119	5.12 130	7.28 185	0.16-0.55 4-φ14
GEM65-150F 340 (N)	12.83 326	13.39 340	6.69 170	8.90 226	4.45 113	10.47 266	15.71 399	12.60 320	9.84 250	3.54 90	2.56 65	4.69 119	5.12 130	7.28 185	0.16-0.55 4-φ14
GEM80-120F 360 (N)	13.22 336	14.17 360	7.09 180	8.90 226	4.45 113	12.84 326	16.77 426	12.83 326	10.08 256	4.37 111	3.15 80	5.04 128	5.91 150	7.87 200	0.16-0.55 4-φ14
GEM100-120F 450 (N)	15 381	17.72 450	8.85 225	8.90 226	4.45 113	14.02 356	17.56 446	13.31 338	10.55 268	4.37 111	3.94 100	6.30 160	6.69 170	8.66 220	0.16-0.55 4-φ14