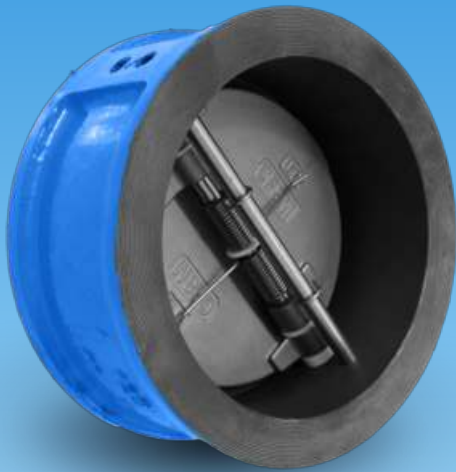


SERIES LSDDB

WAFER CHECK VALVE



MATERIALS

Cast Iron, Bronze Disc

PRESSURE

200 PSIG at 250 F from 2" to 18" 200 lbs
200 PSIG at 250 F from 20" to 32" 150 lbs

*Other sizes and construction materials are available

Datasheet

Features
Dimensions

200 PSIG
at 250°F

Pressure

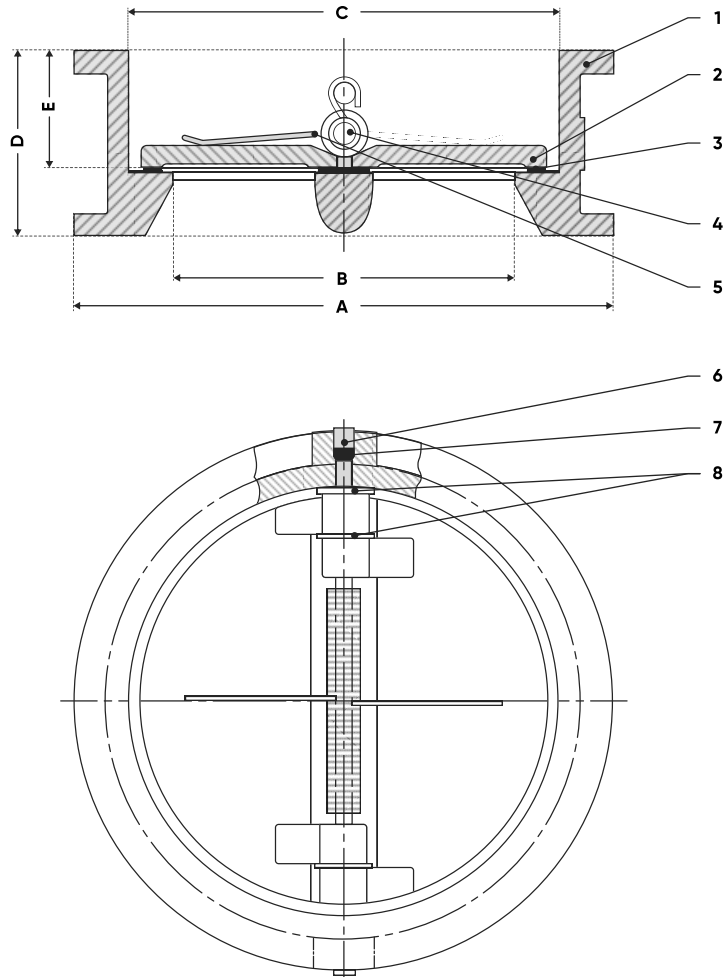
2" to 32"

Size Range

Wafer

Body Style

Dimensions



DIMENSIONS						
Size	MODELS	A	B	C	D	E
2"	DN50	4.21" 107 mm	1.57" 40 mm	2.56" 65 mm	1.69" 43 mm	1.26" 32 mm
2.5"	DN65	5.00" 127 mm	2.36" 60 mm	3.15" 80 mm	1.81" 46 mm	1.30" 33 mm
3"	DN80	5.59" 142 mm	2.76" 70 mm	3.70" 94 mm	2.52" 64 mm	1.69" 43 mm
4"	DN100	6.38" 162 mm	3.46" 88 mm	4.61" 117 mm	2.52" 64 mm	1.85" 47 mm
5"	DN125	7.56" 192 mm	4.53" 115 mm	5.71" 145 mm	2.76" 70 mm	1.93" 49 mm
6"	DN150	8.66" 220 mm	5.28" 134 mm	6.69" 170 mm	2.99" 76 mm	2.01" 51 mm
8"	DN200	10.75" 273 mm	7.17" 182 mm	8.82" 224 mm	3.50" 89 mm	2.24" 57 mm
10"	DN250	12.91" 328 mm	8.66" 220 mm	10.43" 265 mm	4.49" 114 mm	3.03" 77 mm
12"	DN300	14.88" 378 mm	10.24" 260 mm	12.20" 310 mm	4.49" 114 mm	2.87" 73 mm
14"	DN350	17.24" 438 mm	11.73" 298 mm	14.17" 360 mm	5.00" 127 mm	3.07" 78 mm
16"	DN400	19.25" 489 mm	13.78" 350 mm	16.14" 410 mm	5.51" 140 mm	3.43" 87 mm

NO.	PARTS	QTY	MATERIAL
1	Body	1	Cast Iron
2	Ring	2	AL-Bronze
3	Seat	1	EPDM
4	Shaft	2	SS316
5	Spring	2	SS316
6	Plug	4	SS
7	Rubber Plug	4	Rubber
8	Gasket	4	PTFE