

SERIES PSM

VERTICAL MULTISTAGE



Datasheet

Features
Performance Curves

Up to
930 ft.

Head

Up to
**390
US GPM**

Flow

430 PSI

Max.
Pressure

248°F

Max.
Temperature

PUMP

PSM/PSMF is a kind of vertical non-self priming multistage centrifugal pump, which is driven by a standard electric motor. The motor output shaft directly connects with the pump shaft through a coupling. The pressure-resistant cylinder and flow passage components are fixed between pump head and inlet & outlet section with lie-bar bolts. The inlet & outlet are located at the pump bottom at the same plane. This kind of pump can be equipped with an intelligent protector to effectively prevent it from dry-running, out-of-phase and overload.

MOTOR

- Full-enclosed air-blast two-pole standard motor
- Protection class: IP55
- Insulation class: F
- Standard voltage: 60Hz:
3x200-230/346-400V
3x200-255/380-440V
3x200-277/380-480V

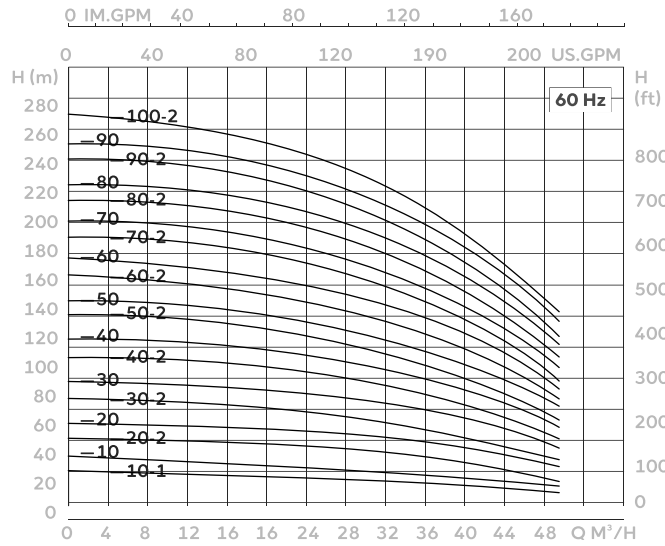
APPLICATION

PSM/PSMF is a kind of multifunctional products. It can be used to convey various medium from tap water to industrial liquid at different temperature and with different flow rate and pressure. PSM type is applicable to conveying non-corrosive liquid, PSMF is suitable for slightly corrosive liquid.

- **Water supply:** Water filter and transport in waterworks, boosting of main pipeline, boosting in high-rise buildings.
- **Industrial boosting:** Process flow water system, cleaning system, high-pressure washing system, fire fighting system.
- **Industrial liquid conveying:** Cooling and air-conditioning system, boiler system supply and condensing system, machine-associated purpose, acids and alkali.
- **Water treatment:** Ultrafiltration system, reverse osmosis system distillation system, separator, swimming pool.
- **Irrigation:** Farmland irrigation, spray irrigation, dripping irrigation.

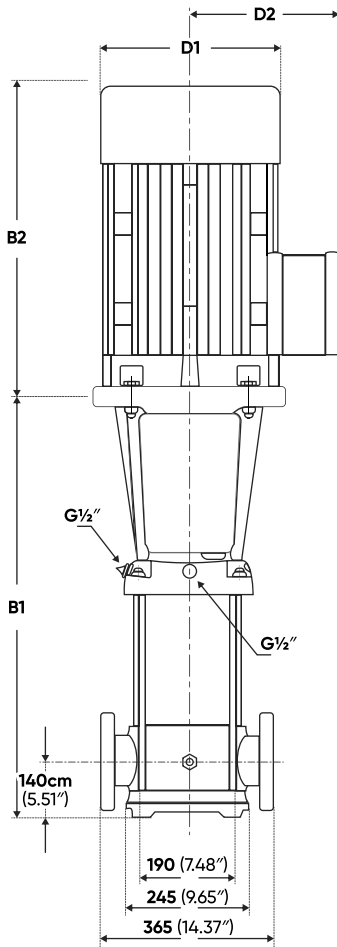
Performance Curves

PSM32/PSMF32



Dimensions

PSM 50 Hz



DIMENSIONS			
Model	B1	B2	Weight
PSM1-2	11 1/4	6 1/2	34 lbs
PSM1-3	12	6 1/2	35 lbs
PSM1-4	12 11/16	6 1/2	36 lbs
PSM1-5	13 3/8	6 1/2	37 lbs
PSM1-6	14 1/8	6 1/2	39 lbs
PSM1-7	14 13/16	6 1/2	40 lbs
PSM1-8	15 9/16	6 1/2	41 lbs
PSM1-9	16 1/4	6 1/2	42 lbs
PSM1-10	16 15/16	6 1/2	43 lbs
PSM1-11	17 11/16	6 1/2	44 lbs
PSM1-12	18 3/8	6 1/2	45 lbs
PSM1-13	19 1/16	6 1/2	46 lbs
PSM1-15	20 1/2	6 1/2	49 lbs
PSM1-17	21 15/16	6 1/2	51 lbs
PSM1-19	23 3/8	8 7/8	56 lbs
PSM1-21	25 1/16	8 7/8	57 lbs
PSM1-23	26 1/2	8 7/8	60 lbs
PSM1-25	27 7/8	8 7/8	62 lbs

