

SERIES SEP

VORTEX TANGENTIAL AIR SEPARATOR



PRODUCT DETAILS

Flo Fab SEP ASME Vortex type Air Separators eliminate air quickly and efficiently from open and closed loop heating/cooling systems. Water enters and exits through unique “tangential” connections, which promote a low velocity swirling effect in the center of the unit. Natural centrifugal forces allow the heavier air-free water to move toward the outer edges while entrained air is captured within the “eye” of the vortex and released out of the top of the separator. The bubble-free water then exits near the bottom of the unit, protecting the systems against the noise, corrosion, and damage commonly caused by entrained air. SEP units also include system strainer.

Datasheet

Features
Performance Curves

Up to
410 ft.

Head

Up to
**8000
US GPM**

Flow

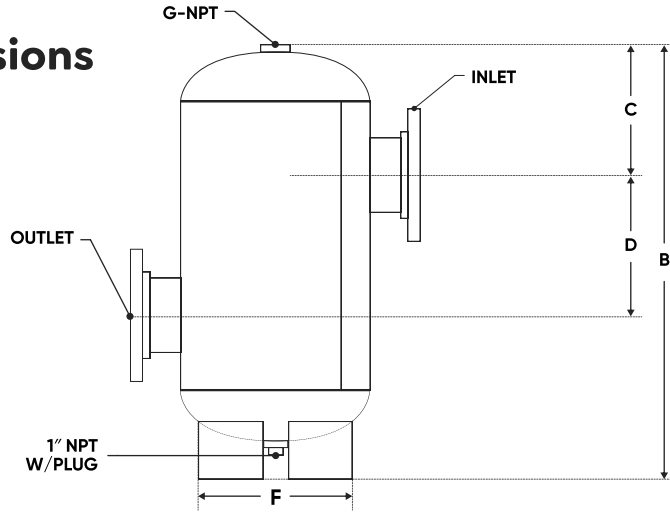
600 PSI

Max.
Pressure

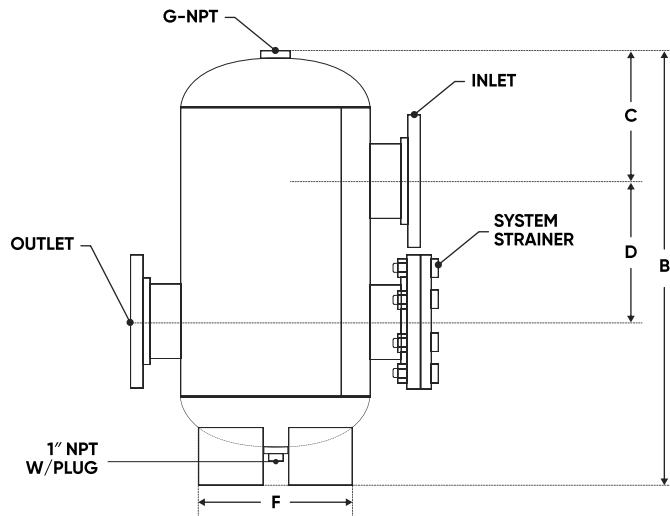
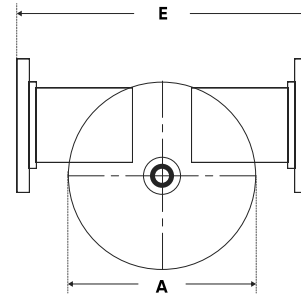
300°F

Max.
Temperature

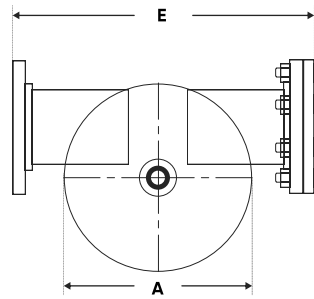
Dimensions



WITHOUT STRAINER



WITH STRAINER



MODELS	CONNECTION SIZE	A	B	C	D	E	F	G	Shipping	
SEP-2-S	2" NPT	12"	22 1/2"	5 1/2"	8 1/2"	16 5/8"	9 1/2"	1 1/4"	34 lb	
SEP-2.5-S	2.5" NPT		22 1/2"	5 1/2"	8 1/2"	16 5/8"			37 lb	
SEP-3-S	3"		25"	6 1/4"	8"	19 3/4"			45 lb	
SEP-4-S	4"	14"	32"	9 1/8"	10 3/4"	21 3/4"	11 1/2"	1 1/2"	80 lb	
SEP-5-S	5"		32"	9 1/8"	10 3/4"	21 3/4"			125 lb	
SEP-6-S	6"	20"	44"	13 1/4"	14 1/2"	28"	18"	2"	175 lb	
SEP-8-S	8"		44"	13 1/4"	14 1/2"	28"			210 lb	
SEP-10-S	10"		60 1/2"	19"	20"	41"			24"	460 lb
SEP-12-S	12"	30"	60 1/2"	19"	20"	41"	30"	2"	577 lb	
SEP-14-S	14"		78"	22"	31 1/2"	46 3/8"			30"	850 lb
SEP-16-S	16"		108"	30"	40"	60"			38"	1858 lb
SEP-18-S	18"	54"	124"	33"	50"	66"	44"	2490 lb		
SEP-20-S	20"	60"	138"	35"	60"	72"	50"	3346 lb		
SEP-22-S	22"	66"	150"	38"	66"	78"	56"	3879 lb		
SEP-24-S	24"	66"			66"	80"	56"	4211 lb		
SEP-30-S	30"	72"			68"	84"	66"	7260 lb		

Maximum Design Temperature: 450°F
 Maximum Design Pressure:
 150 PSI (2"-8" inlet/outlet)
 125 PSI (10"-30" inlet/outlet)

*200 & 250 PSIG available

*Other sizes are available but not shown