

SERIES W,S

SHELL & TUBE HEAT EXCHANGERS



The Flo Fab' shell and tube heat exchanger consists of two sides for two different fluids. The Tube Side fluid flows inside the tubes and is diverted by the heat exchanger head located on the end into two or four passes or circuits. The Shell Side fluid flows on the outside of the tubes and is contained by the shell where it is diverted by baffles or tube supports that also carry the weight of the tubes. The wall of the tubes is the heat transfer surface. The tube bundle consists of U-shaped tubes confined at one end by the tube sheet that separates the two fluids. The tube bundle is assembled into a steel shell and head that forms a two sided heat exchanger.

STEAM IN SHELL

The S works by introducing steam (water vapor) into the shell where it naturally distributes across the outer tube surface and condenses and heats the water inside the tubes. The condensate exits through a drain in the shell. Tube supports carry the weight of the tubes and do not divert the steam.

BOILER WATER IN SHELL

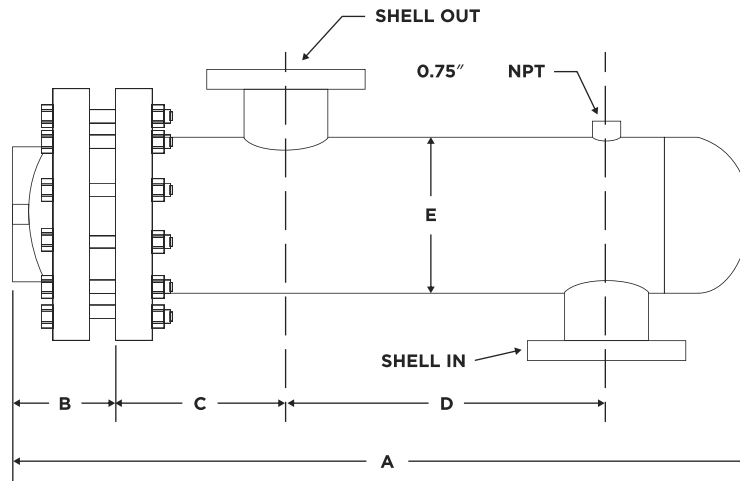
The W works by introducing boiler water into the shell where it is diverted back and forth across the tube surface by baffles, heating the water inside the tubes. The distance between the baffles is called the «baffle spacing,» which controls the rate of heat transfer and pressure drop of the shell side fluid.

Datasheet

Features
Dimensions

WATER GLYCOL STEAM Application	Up to 3000 US GPM Flow	250 PSI Max. Pressure	300°F Max. Temperature
--	--	------------------------------------	-------------------------------------

Dimensions



MODEL	DIMENSIONS							-2 PASS		-4 PASS		CONN SIZE	SHELL IN	SHELL OUT
	A	B	C	D	E	F	LBS	Y	V	X	Z	U	AINSI	AINSI
S-1002	30	4.8	6.6	12.5	10.8	14.6	340	5.8	4	4.8	2.4	3	4	1.5
S-1003	42	4.8	6.6	24.5	10.8	14.6	400	5.8	4	4.8	2.4	3	4	1.5
S-1004	54	4.8	6.6	36.5	10.8	14.6	460	5.8	4	4.8	2.4	3	6	2
S-1005	66	4.8	6.6	48.5	10.8	14.6	520	5.8	4	4.8	2.4	3	6	2
S-1006	78	4.8	6.6	60.5	10.8	14.6	580	5.8	4	4.8	2.4	3	6	2
S-1007	90	4.8	6.6	72.5	10.8	14.6	640	5.8	4	4.8	2.4	3	6	2
S-1008	102	4.8	6.6	84.5	10.8	14.6	700	5.8	4	4.8	2.4	3	6	2
S-1009	114	4.8	6.6	96.5	10.8	14.6	760	5.8	4	4.8	2.4	3	6	2
S-1010	126	4.8	6.6	108.5	10.8	14.6	820	5.8	4	4.8	2.4	3	6	2
S-1203	42.8	5.6	7.8	22.8	10.8	16.6	565	7.4	4	5.9	2.6	4	6	2
S-1204	54.8	5.6	7.8	34.8	12.8	16.6	670	7.4	4	5.9	2.6	4	6	2
S-1205	66.8	5.6	7.8	46.8	12.8	16.6	775	7.4	4	5.9	2.6	4	6	2
S-1206	78.8	5.6	7.8	58.8	12.8	16.6	880	7.4	4	5.9	2.6	4	8	2
S-1207	90.8	5.6	7.8	70.8	12.8	16.6	985	7.4	4	5.9	2.6	4	8	2.5
S-1208	102.8	5.6	7.8	82.8	12.8	16.6	1090	7.4	4	5.9	2.6	4	8	2.5
S-1209	114.8	5.6	7.8	94.8	12.8	16.6	1195	7.4	4	5.9	2.6	4	8	2.5
S-1210	126.8	5.6	7.8	106.8	12.8	16.6	1300	7.4	4	5.9	2.6	4	8	2.5
S-1211	138.8	5.6	7.8	118.8	12.8	16.6	1405	7.4	4	5.9	2.6	4	8	2.5
S-1212	150.8	5.6	7.8	130.8	12.8	16.6	1510	7.4	4	5.9	2.6	4	8	2.5

Add 1/4 to dimension B for Double Wall

